



US00D821142S

(12) **United States Design Patent** (10) **Patent No.:** **US D821,142 S**
Ulanski et al. (45) **Date of Patent:** **** Jun. 26, 2018**

(54) **CONTAINER**

(71) Applicant: **VITA-MIX MANAGEMENT CORPORATION**, Olmsted Township, OH (US)

(72) Inventors: **Robert M. Ulanski**, Broadview Hts., OH (US); **Brenton Krivos**, Brunswick, OH (US); **Stephen Rukavina**, Rocky River, OH (US); **Mark Miller**, Olmsted Township, OH (US); **Richard Boozer**, Wakeman, OH (US); **Jack Warren Gee, II**, Wiloughby, OH (US); **Phonesacksith Guy Kettavong**, Medina, OH (US)

(73) Assignee: **VITA-MIX MANAGEMENT CORPORATION**, Olmsted Township, OH (US)

(**) Term: **15 Years**

(21) Appl. No.: **29/618,840**

(22) Filed: **Sep. 25, 2017**

Related U.S. Application Data

(62) Division of application No. 29/557,079, filed on Mar. 4, 2016, now Pat. No. Des. 798,109.

(51) **LOC (11) Cl.** **31-00**

(52) **U.S. Cl.**
USPC **D7/413; D7/376; D7/378; D7/412**

(58) **Field of Classification Search**
USPC **D7/319, 372, 376-386, 398, 412-413, D7/602, 629, 665-666, 669, 679, D7/693-694**
CPC **A21C 1/02; A21C 1/04; A23N 1/00; A23N 1/02; A47J 36/10; A47J 43/04; A47J 43/25; A47J 43/27; A47J 43/042; A47J 43/044; A47J 43/046; A47J 43/075; A47J 43/0722; A47J 43/0727; B01F 3/00; B01F 3/0807; B01F 3/0853; B01F 13/0059;**

B01F 13/0064; B02C 1/08; B02C 2/04; B02C 4/42; B02C 4/142; B02C 4/143; B02C 4/423; B02C 13/1835; B28C 5/10; B28C 5/12; B28C 5/14; B28C 5/16
See application file for complete search history.

(56) **References Cited**

U.S. PATENT DOCUMENTS

D336,590	S	*	6/1993	Barnard	D7/376
D480,915	S		10/2003	Kolar et al.		
D521,316	S	*	5/2006	Katz	D7/397
D528,363	S	*	9/2006	Ulanski	D7/413
D587,526	S		3/2009	Barnard et al.		
D588,406	S		3/2009	Ulanski et al.		
D621,656	S		8/2010	Ulanski et al.		
D662,359	S		6/2012	Boozer et al.		
D664,808	S	*	8/2012	Dickson, Jr.	D7/376
D678,727	S		3/2013	Kolar et al.		

(Continued)

Primary Examiner — Ricky Pham

(74) *Attorney, Agent, or Firm* — McDonald Hopkins LLC

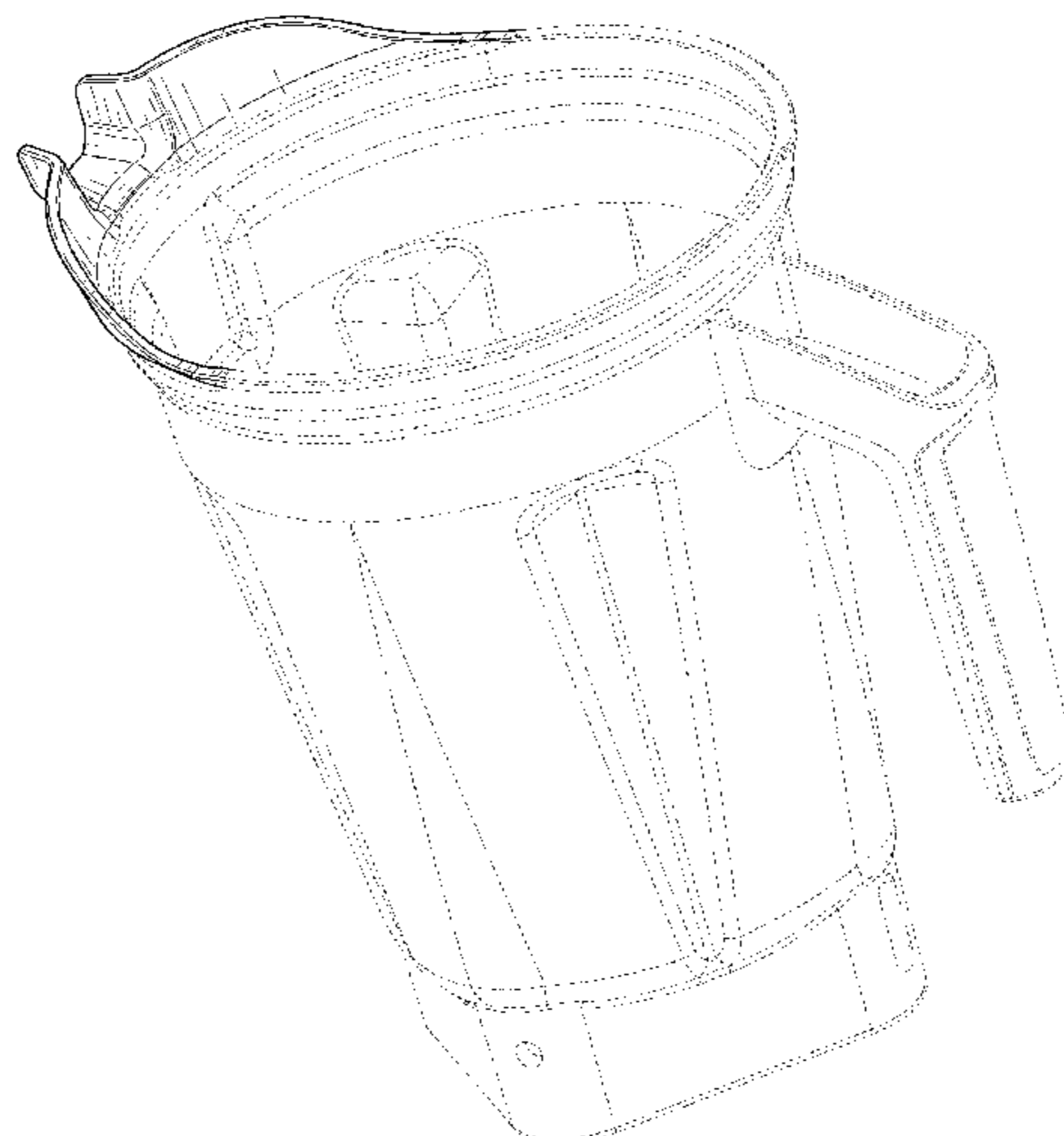
(57) **CLAIM**

The ornamental design for a container, as shown and described.

DESCRIPTION

FIG. 1 is a perspective view of a container showing our new design;
FIG. 2 is a front side view thereof;
FIG. 3 is a back side view thereof;
FIG. 4 is a first side view thereof;
FIG. 5 is a second side view thereof;
FIG. 6 is a top view thereof; and,
FIG. 7 is a bottom view thereof.
The broken lines in the figures are included for the purpose of illustrating portions of a container and form no part of the claimed design.

1 Claim, 7 Drawing Sheets



(56)

References Cited

U.S. PATENT DOCUMENTS

8,529,120	B2	9/2013	Ulanski et al.	
D705,606	S *	5/2014	Coakley	D7/376
8,814,011	B2	8/2014	Ulanski et al.	
D738,670	S *	9/2015	Sands	D7/317
D777,515	S *	1/2017	Potter	D7/376
D782,247	S *	3/2017	Kim	D7/376
D783,354	S *	4/2017	Smith	D7/376
D783,356	S *	4/2017	Kim	D7/376
D798,109	S *	9/2017	Ulanski	D7/376
2006/0261066	A1 *	11/2006	Boozer	A47J 36/10 220/254.7
2009/0238034	A1 *	9/2009	Ulanski	A47J 43/0727 366/341
2015/0265983	A1	9/2015	Fleming et al.	

* cited by examiner

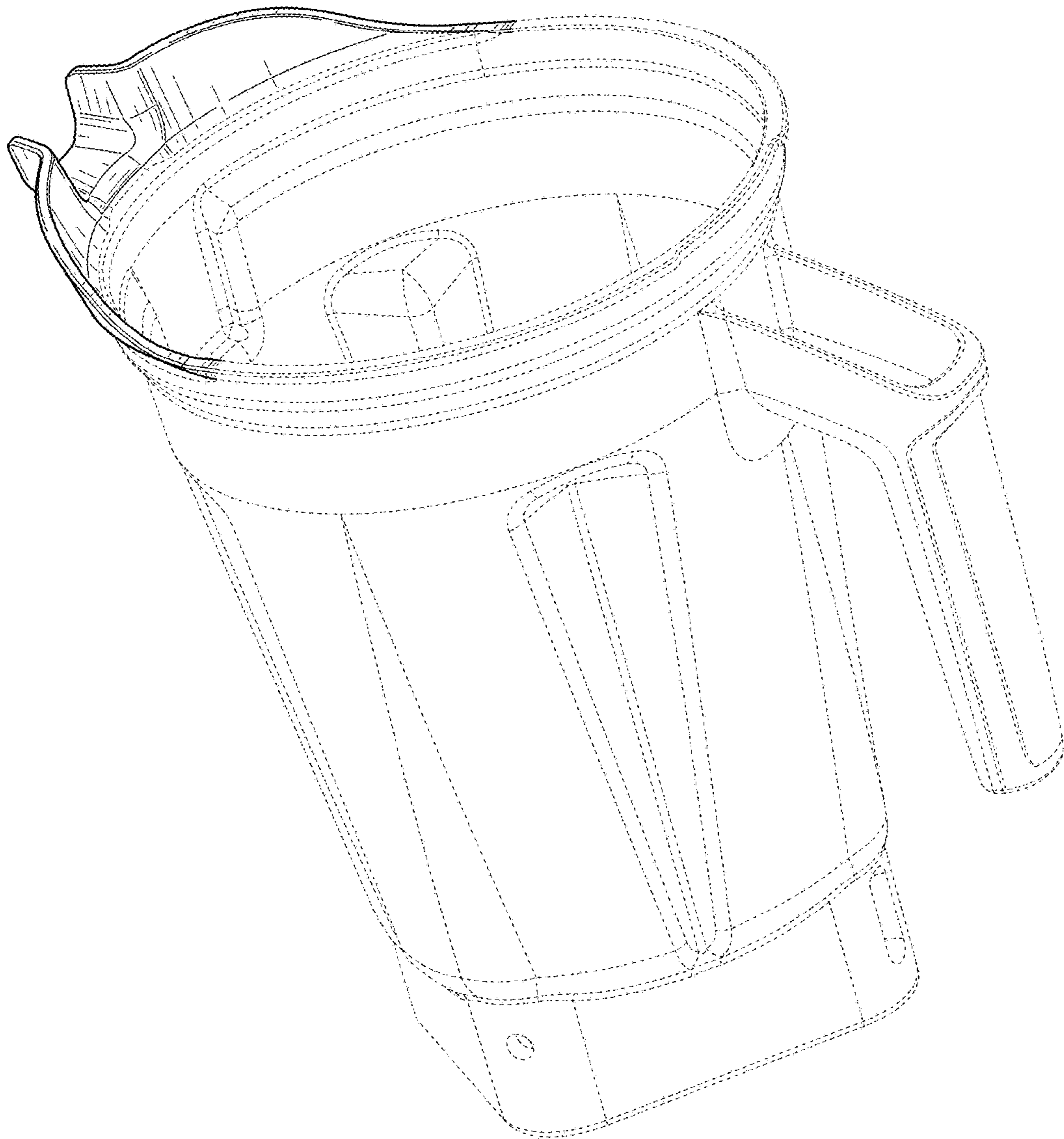


FIG. 1

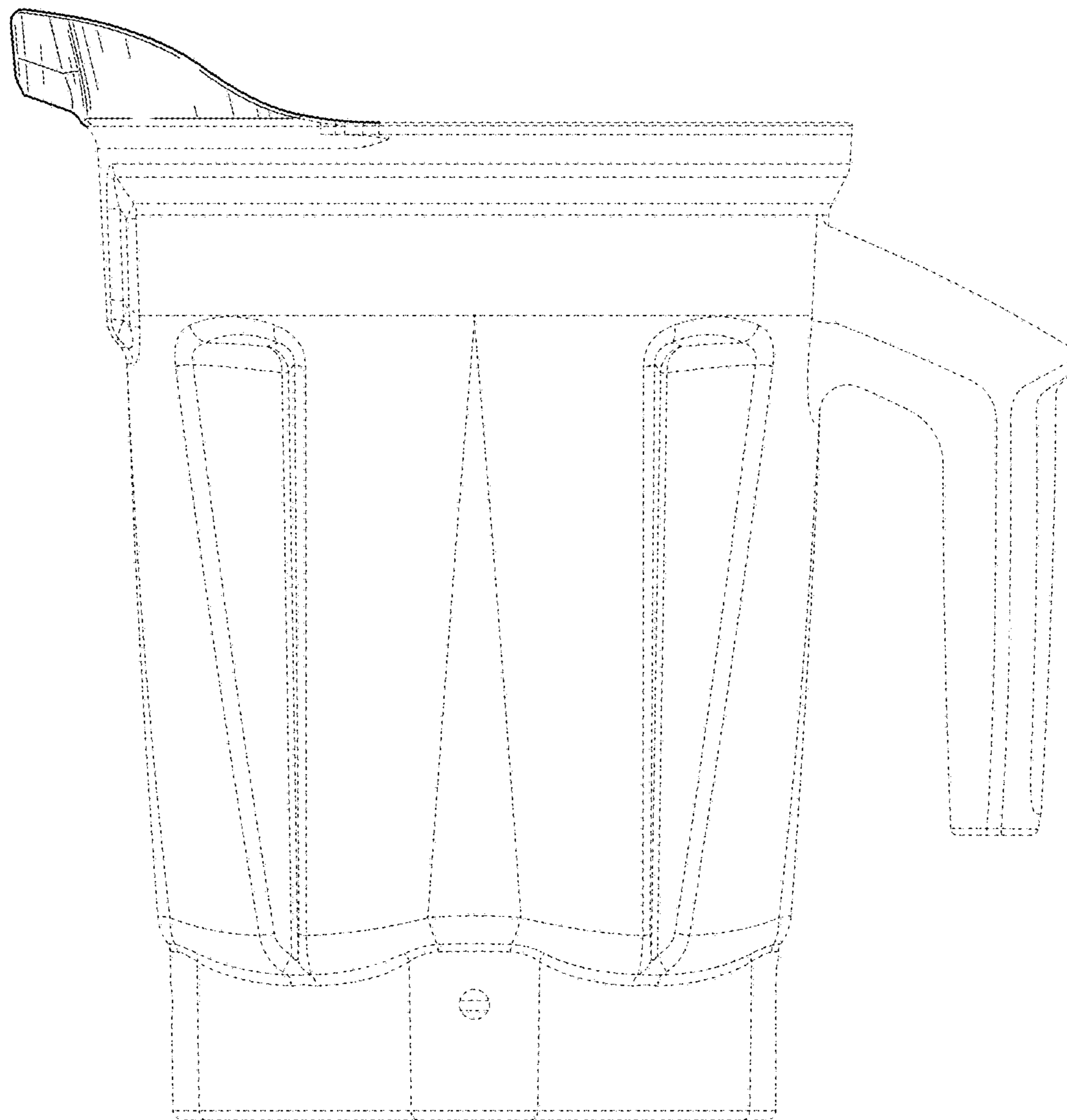


FIG. 2

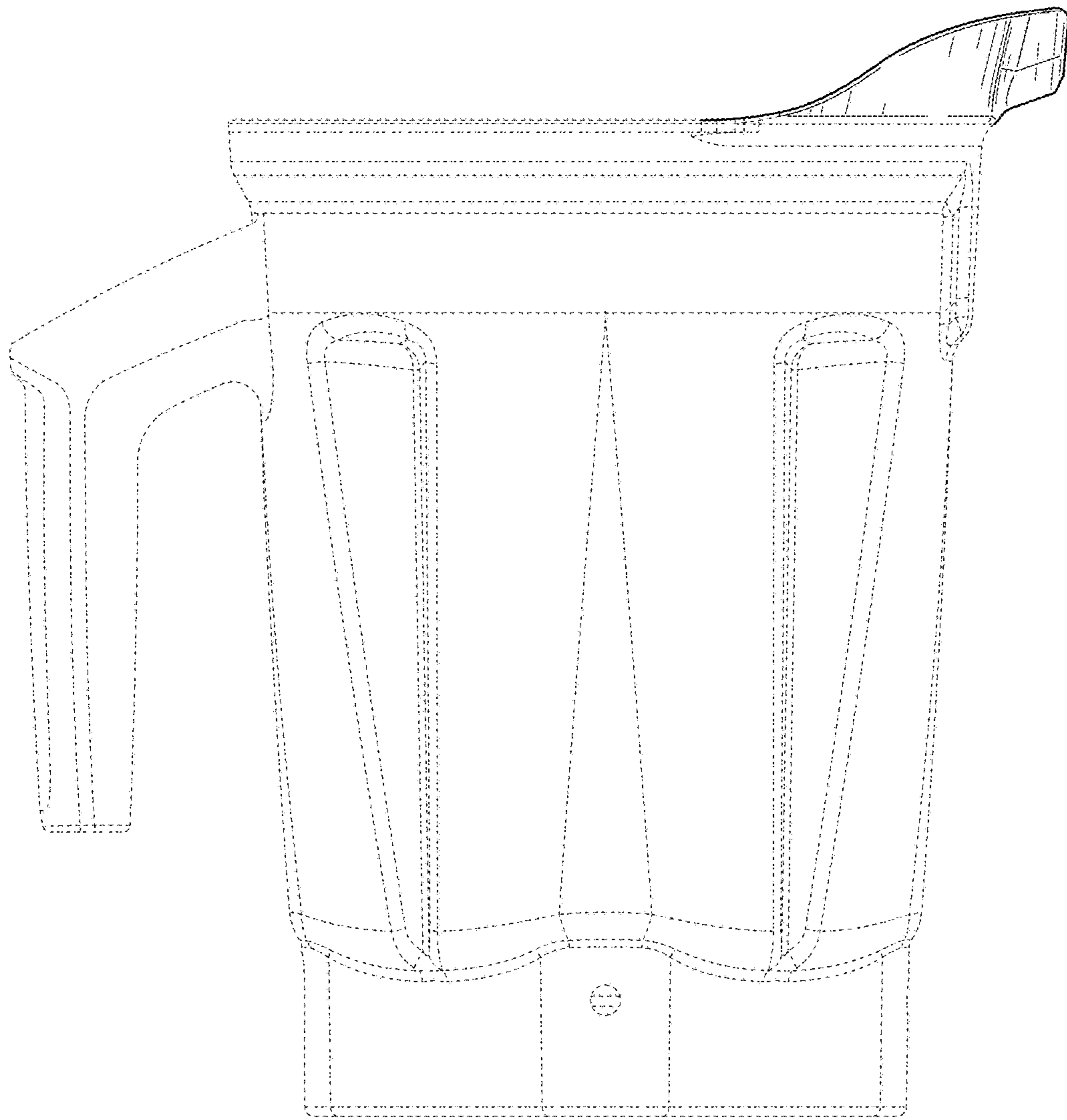


FIG. 3

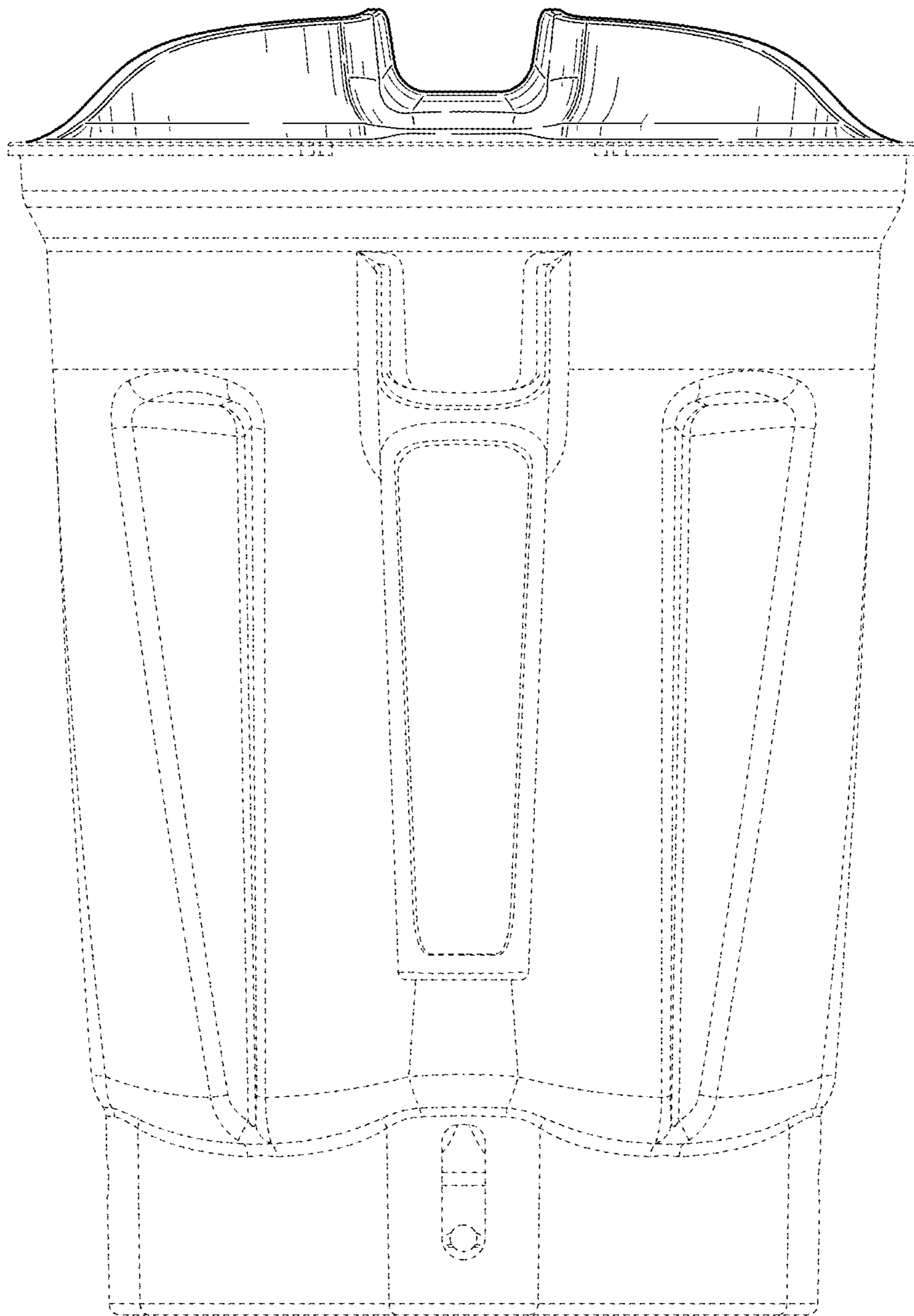


FIG. 4

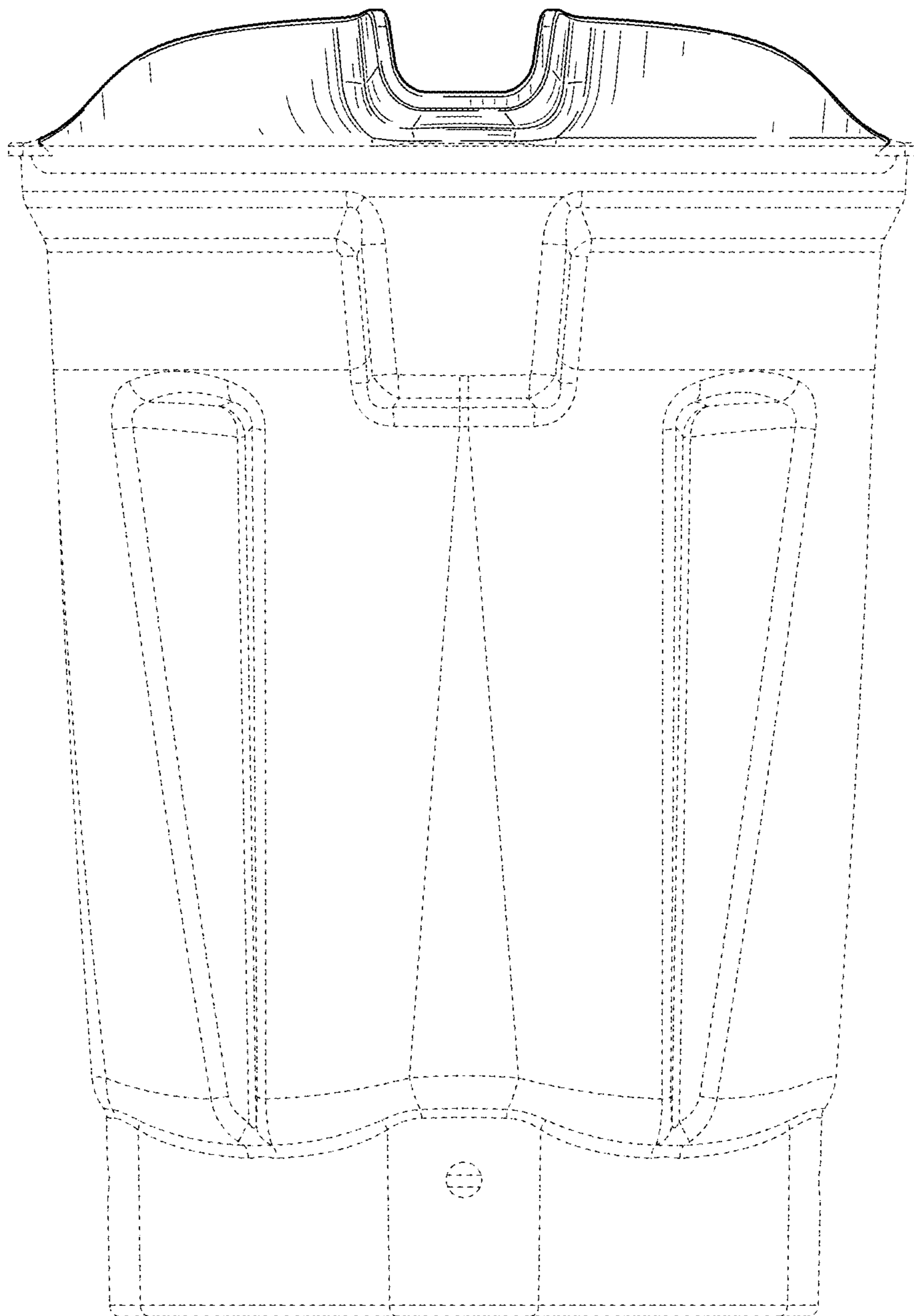


FIG. 5

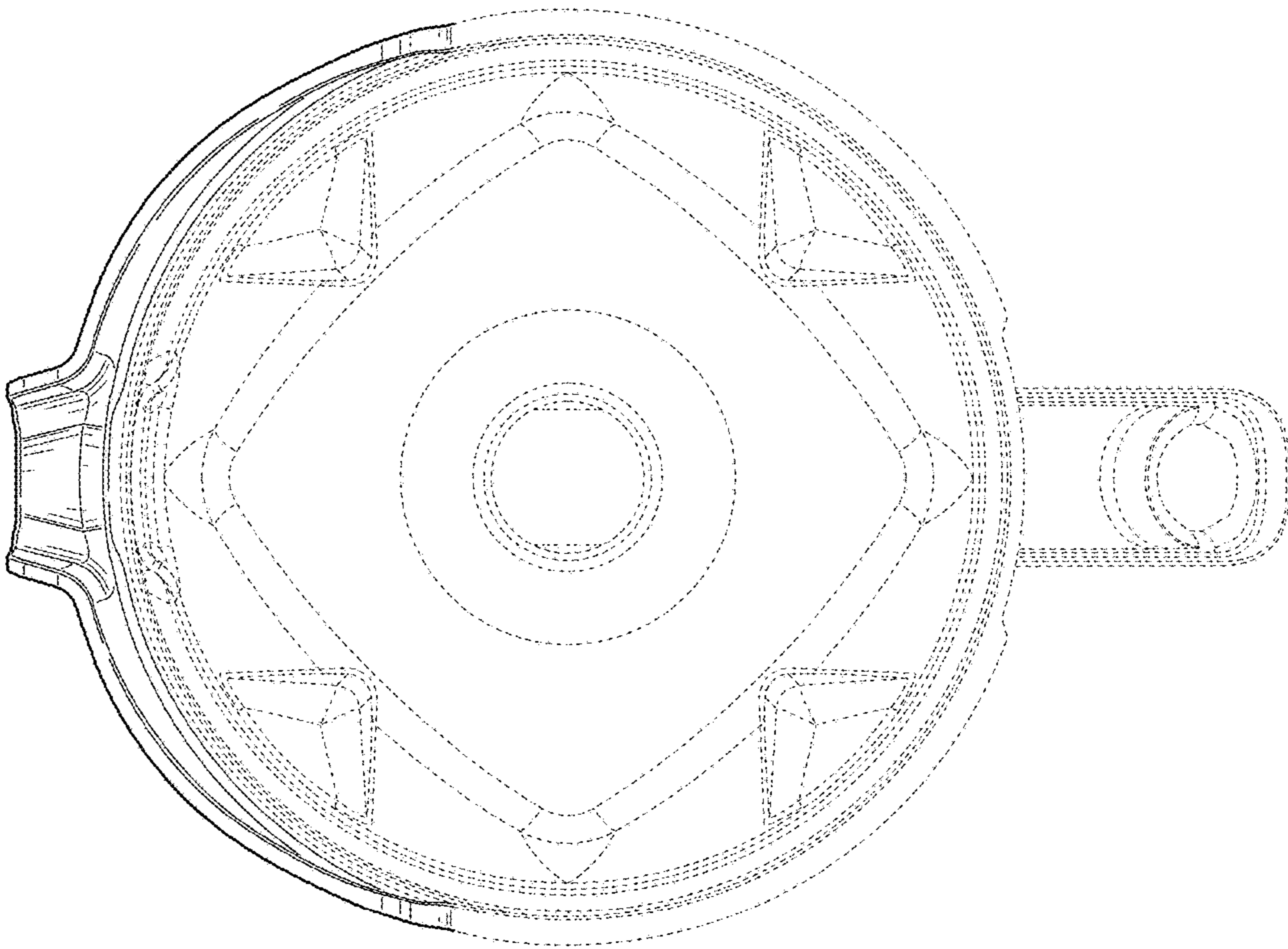


FIG. 6

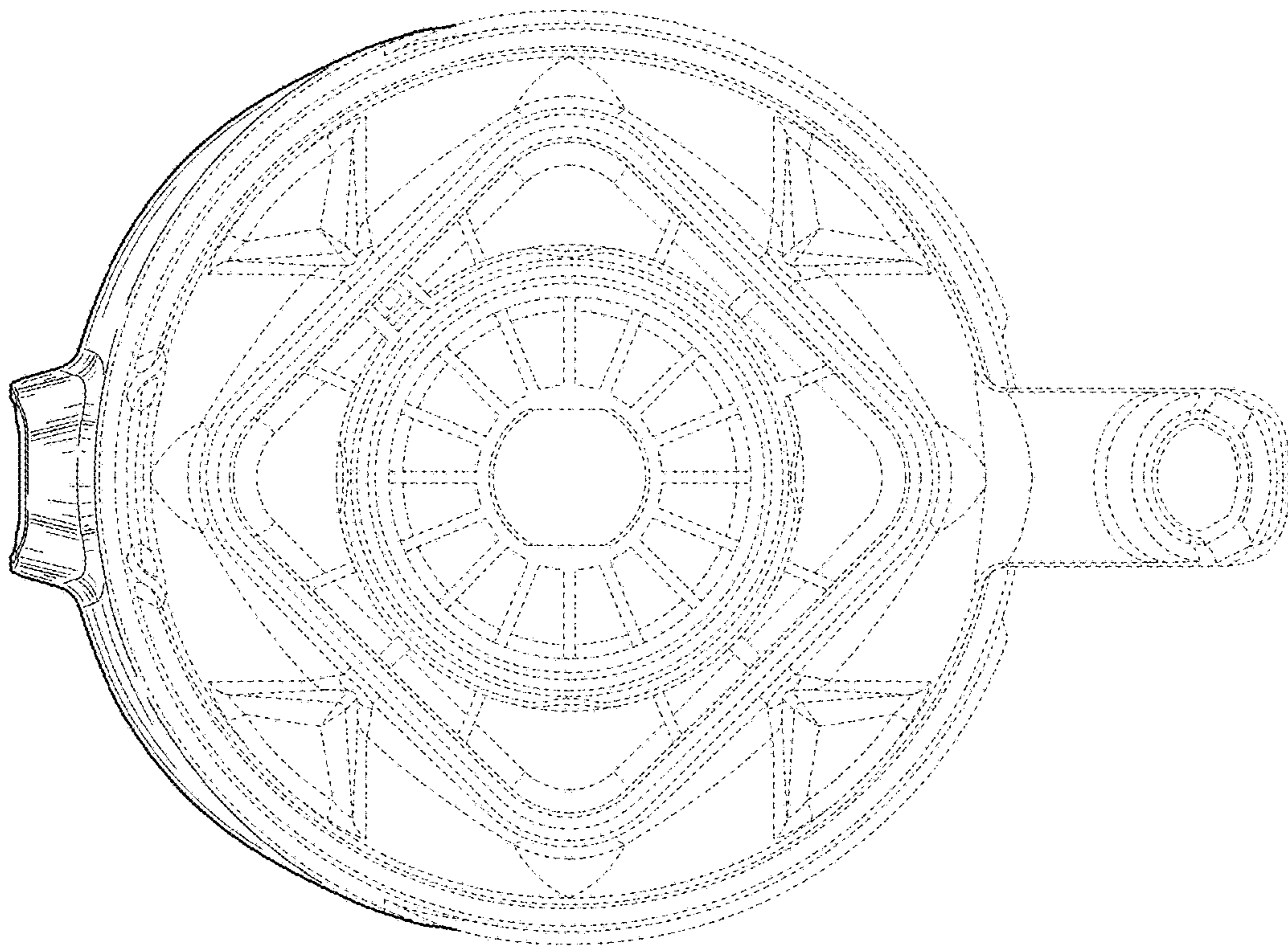


FIG. 7