



US00D821140S

(12) **United States Design Patent** (10) **Patent No.:** **US D821,140 S**
Mirchandani et al. (45) **Date of Patent:** **** Jun. 26, 2018**

(54) **STEAMER PLATE**
(71) Applicant: **TRISTAR PRODUCTS, INC.**,
Fairfield, NJ (US)
(72) Inventors: **Keith Mirchandani**, Bernardsville, NJ
(US); **Paul McGrath**, Flanders, NJ
(US)

(73) Assignee: **Tristar Products, Inc.**, Fairfield, NJ
(US)

(**) Term: **15 Years**

(21) Appl. No.: **29/589,052**

(22) Filed: **Dec. 27, 2016**

(51) **LOC (11) Cl.** **07-02**

(52) **U.S. Cl.**
USPC **D7/409; D7/354; D7/356**

(58) **Field of Classification Search**
USPC D7/323, 332, 335-337, 354-364,
D7/387-388, 402, 407-409, 545, 548,
D7/549, 667; D23/213; D27/167
CPC A01K 1/0114; A21B 2/00; A21B 3/00;
A21B 3/13; A21B 3/15; A21B 5/00;
A21B 5/02; A23N 12/06; A23N 12/08;
A23N 12/10; A47J 27/022; A47J 27/04;
A47J 27/05; A47J 37/00; A47J 37/04;
A47J 37/041; A47J 37/042; A47J 37/06;
A47J 37/0688; A47J 37/0694; A47J
37/07; A47J 37/0704; A47J 37/10; A47J
43/24; A47J 47/20; A47J 2037/00; A47J
2037/06; A47J 2037/0611; A47J 2037/07;
A47J 2037/0786; A47J 2037/0795; A47J
36/02; B65D 81/3453; F24C 15/10; F24C
15/12;

(Continued)

(56) **References Cited**

U.S. PATENT DOCUMENTS

1,402,065 A 1/1922 Griffin
2,884,494 A 4/1959 Oakley
2,932,293 A 4/1960 Rassieur
(Continued)

FOREIGN PATENT DOCUMENTS

CN 202262862 U 6/2012

OTHER PUBLICATIONS

Copper Chef 5-Piece Cookware Set, posted at Amazon.com, <https://www.amazon.com/Copper-Chef-5-Piece-Cookware-Set/dp/B01BDTVVYPO>.

(Continued)

Primary Examiner — Ricky Pham

(74) *Attorney, Agent, or Firm* — Adler Pollock & Sheehan P.C.; Daniel J. Holmader, Esq.

(57) **CLAIM**

The ornamental design for a steamer plate, as shown and described.

DESCRIPTION

FIG. 1 is a top perspective view of a steamer plate in accordance with the subject disclosure.
FIG. 2 is a bottom perspective view of a steamer plate in accordance with the subject disclosure.
FIG. 3 is a front view of a steamer plate in accordance with the subject disclosure.
FIG. 4 is a left side view of a steamer plate in accordance with the subject disclosure.
FIG. 5 is a top view of a steamer plate in accordance with the subject disclosure; and,

(Continued)

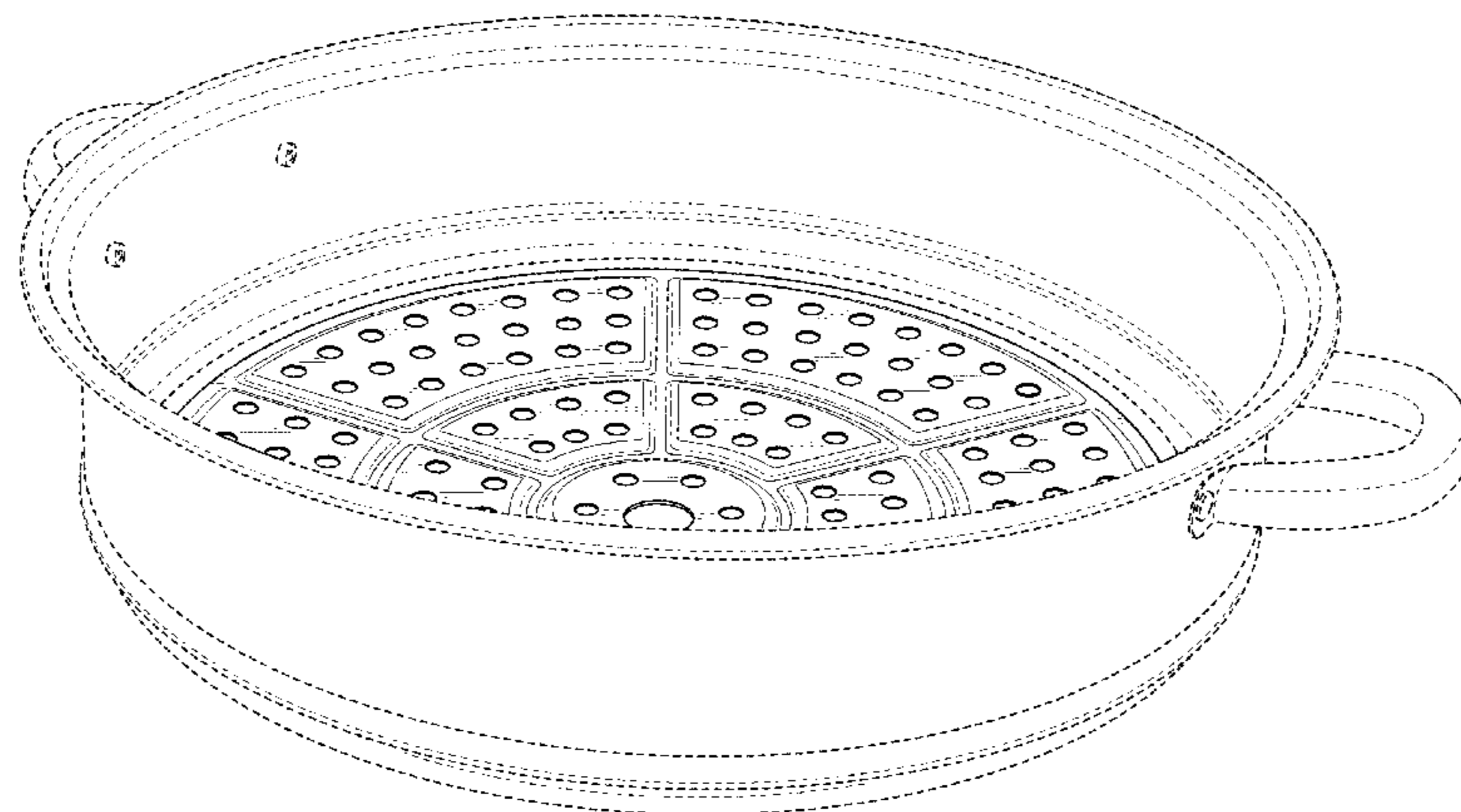


FIG. 6 is a bottom view of a steamer plate in accordance with the subject disclosure.

The broken lines shown in the drawings are for illustrative purposes only and form no part of the claimed design.

No rear view is shown, the rear view being a mirror image of the front view of FIG. 3.

No right side view is shown, the right side view being a mirror image of the left side view of FIG. 4.

1 Claim, 6 Drawing Sheets

(58) **Field of Classification Search**

CPC F24C 15/14; F24C 15/16; F24C 15/16A;
F24C 15/18; A47G 23/03

See application file for complete search history.

(56) **References Cited**

U.S. PATENT DOCUMENTS

3,005,209 A 10/1961 Timmons, Jr.
3,268,198 A * 8/1966 Swett A47G 23/03
248/346.11
3,910,548 A 10/1975 Giesfeldt
D239,692 S 4/1976 Ashton
D246,026 S 10/1977 Stahel
4,184,421 A 1/1980 Ahlgren
4,677,905 A 7/1987 Johnson
D292,363 S * 10/1987 Oh D7/354
D303,066 S 8/1989 Gadzinski et al.
5,097,753 A * 3/1992 Naft A47J 27/022
126/369
D338,132 S * 8/1993 Chang D7/354
D338,807 S * 8/1993 Conti D7/354
D341,990 S 12/1993 Yim
D353,080 S * 12/1994 Cantereels D7/667
5,497,696 A * 3/1996 Coudurier A47J 36/02
126/390.1
D381,553 S 7/1997 Candianides
D391,440 S * 3/1998 Cousins D7/360
5,865,104 A * 2/1999 Sham A47J 27/04
126/369.1
D420,864 S * 2/2000 Kenney D7/667
6,314,869 B1 11/2001 Bourgeois, Jr.
6,443,053 B1 9/2002 Rossi
D517,759 S 3/2006 Dretzka
D522,308 S * 6/2006 Ball D7/360
7,114,459 B2 * 10/2006 Schmidt A01K 1/0114
119/161
D547,602 S 7/2007 Yamasaki et al.
D556,503 S 12/2007 Holcomb et al.
D557,982 S 12/2007 Ablo
D586,612 S * 2/2009 Rae D7/354
D607,265 S 1/2010 Gaunaud, III
D611,300 S * 3/2010 Chen D7/409

D613,131 S * 4/2010 Chen D7/356
D614,445 S * 4/2010 Ferron D7/354
D632,129 S * 2/2011 Chen D7/354
D636,218 S * 4/2011 France D7/354
D641,216 S * 7/2011 Chen D7/667
D646,525 S * 10/2011 Molayem D7/505
D654,297 S 2/2012 Lion et al.
D655,968 S 3/2012 Lion et al.
8,137,723 B1 3/2012 Blount
8,203,107 B2 6/2012 Lion et al.
D663,162 S 7/2012 Lewis et al.
D664,000 S * 7/2012 Moulin D7/354
D668,506 S 10/2012 Zemel
D673,005 S 12/2012 Lion et al.
8,381,640 B1 2/2013 Wilson
D682,012 S * 5/2013 Lin D7/354
D683,178 S 5/2013 Su
D689,325 S 9/2013 Ortegon et al.
D689,326 S * 9/2013 Ortegon D7/354
D689,327 S 9/2013 Ortegon et al.
D707,328 S * 6/2014 Schoenherr D23/213
8,772,685 B2 * 7/2014 Backaert A47J 27/04
219/682
D726,367 S * 4/2015 Dukat D27/167
D746,647 S * 1/2016 Roaks D7/667
D757,493 S 5/2016 Lee
D772,640 S 11/2016 Affatato et al.
D772,648 S * 11/2016 Palermo D7/367
D774,349 S 12/2016 Zemel et al.
D786,630 S * 5/2017 Walsh D7/667
9,676,539 B2 * 6/2017 Sloat B65D 81/3453
D791,529 S * 7/2017 Mirchandani D7/354
D793,161 S 8/2017 Fullmer et al.
D795,640 S * 8/2017 McGrath D7/354
D797,492 S * 9/2017 Shieh D7/354
D797,514 S * 9/2017 Joseph D7/549
D800,492 S * 10/2017 Sarnoff D7/359
D804,235 S * 12/2017 Affatato D7/354
2003/0167932 A1 * 9/2003 Chen A47J 27/05
99/413
2004/0238438 A1 * 12/2004 Chen A47J 43/24
210/474
2005/0051157 A1 3/2005 Cuomo
2006/0057267 A1 3/2006 Dow et al.
2008/0035139 A1 * 2/2008 Marin A47J 27/022
126/390.1
2008/0210101 A1 9/2008 Vovan
2011/0250325 A1 10/2011 Lion et al.
2013/0216691 A1 8/2013 Sudmalis et al.
2015/0040775 A1 2/2015 Shieh

OTHER PUBLICATIONS

Gotham Steel 5-Piece Set, posted at Carolwrightgifts.com, <<http://www.carolwrightgifts.com/gotham-steel-five-piece-set-as-seen-on-tv/85515.cfm>>.

* cited by examiner

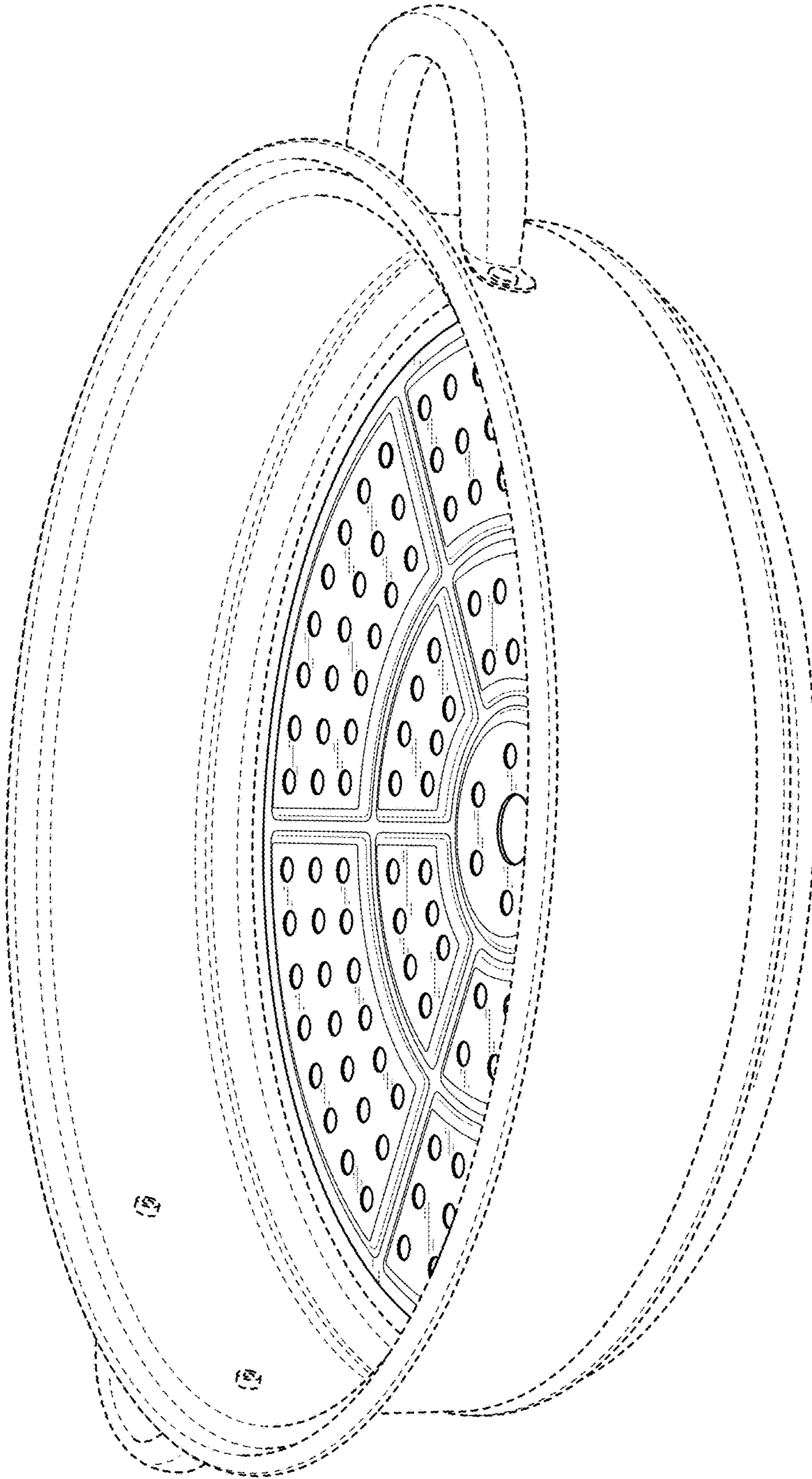


FIG. 1

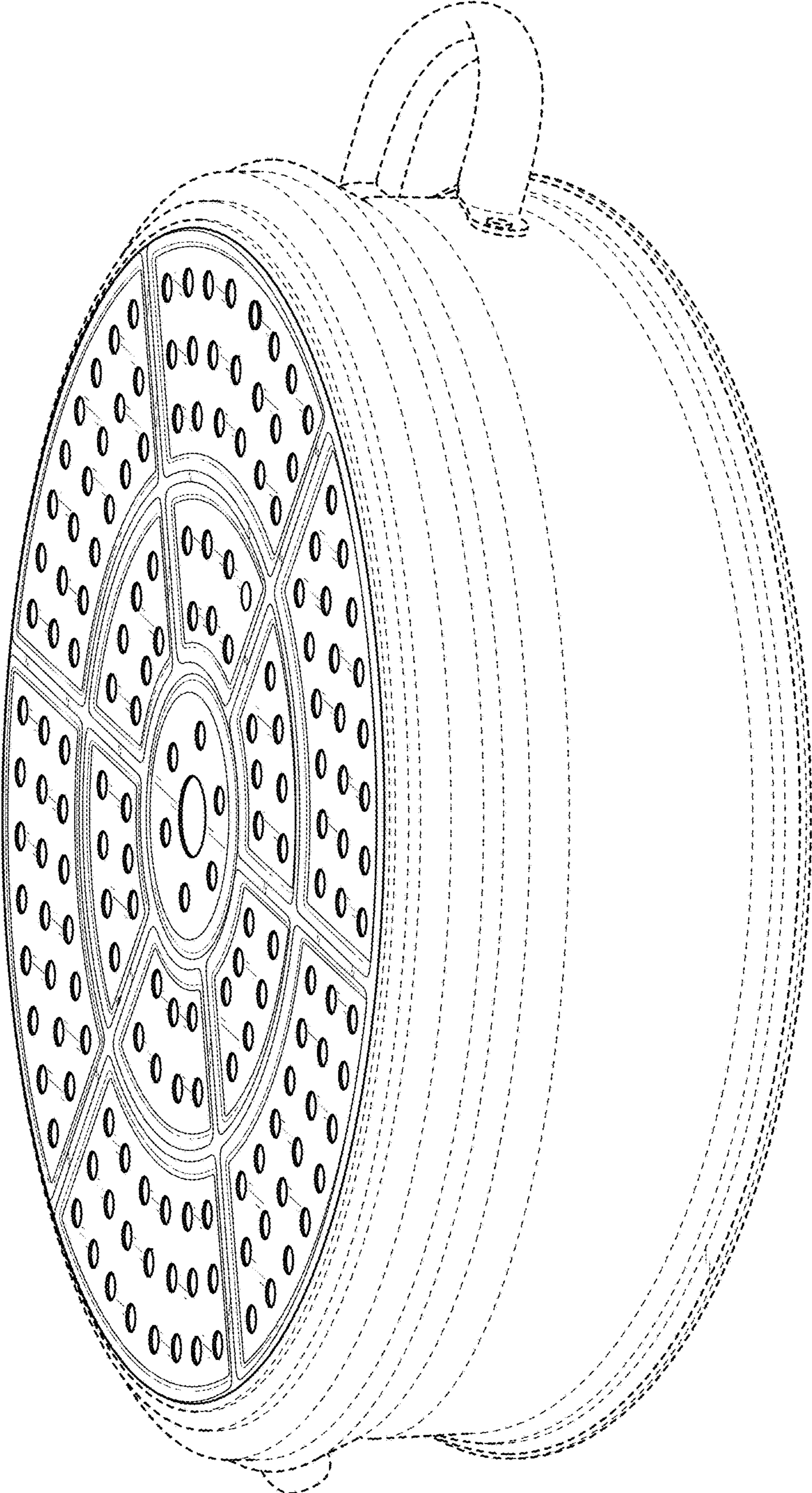


FIG. 2

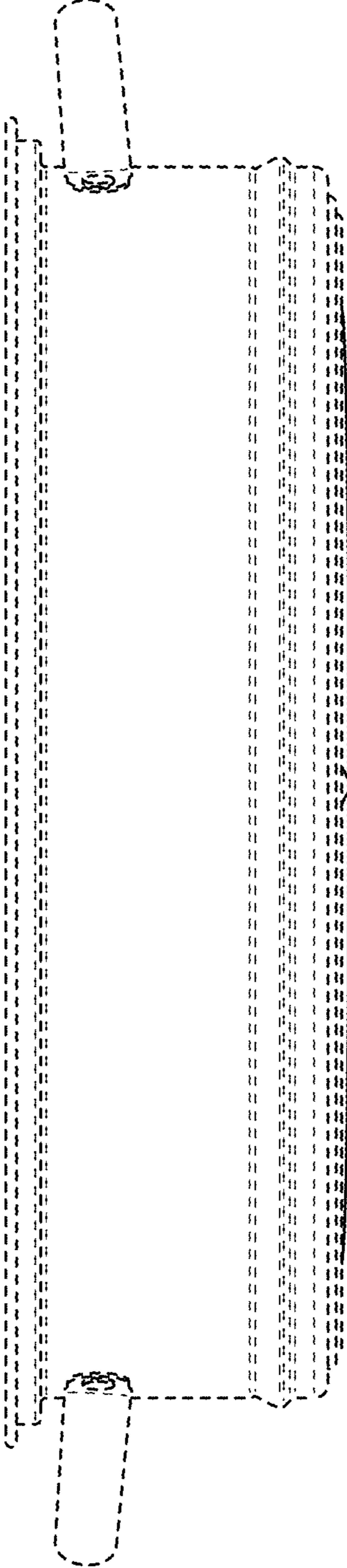


FIG. 3

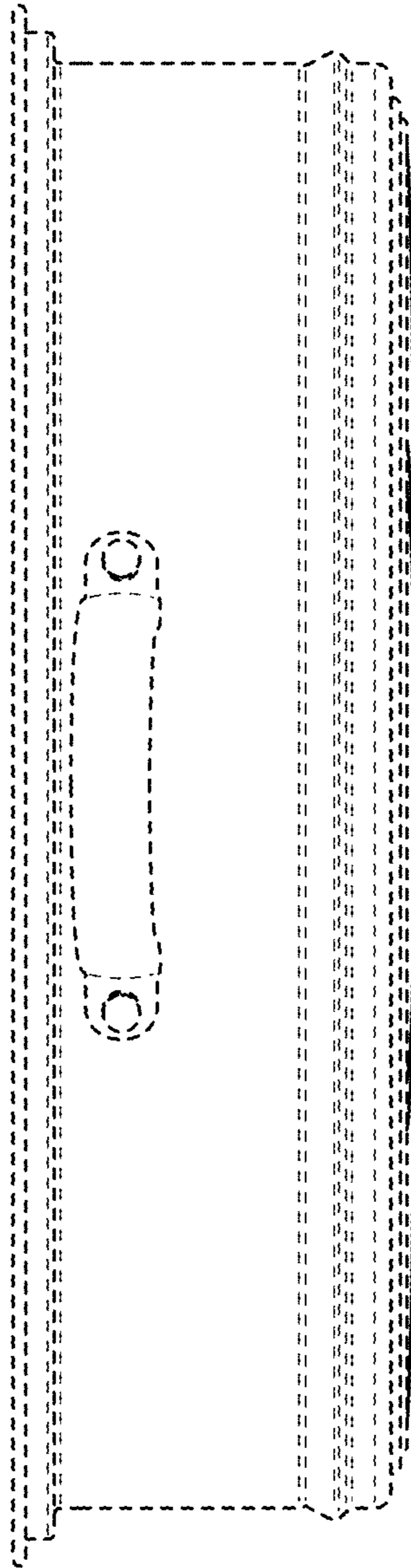


FIG. 4

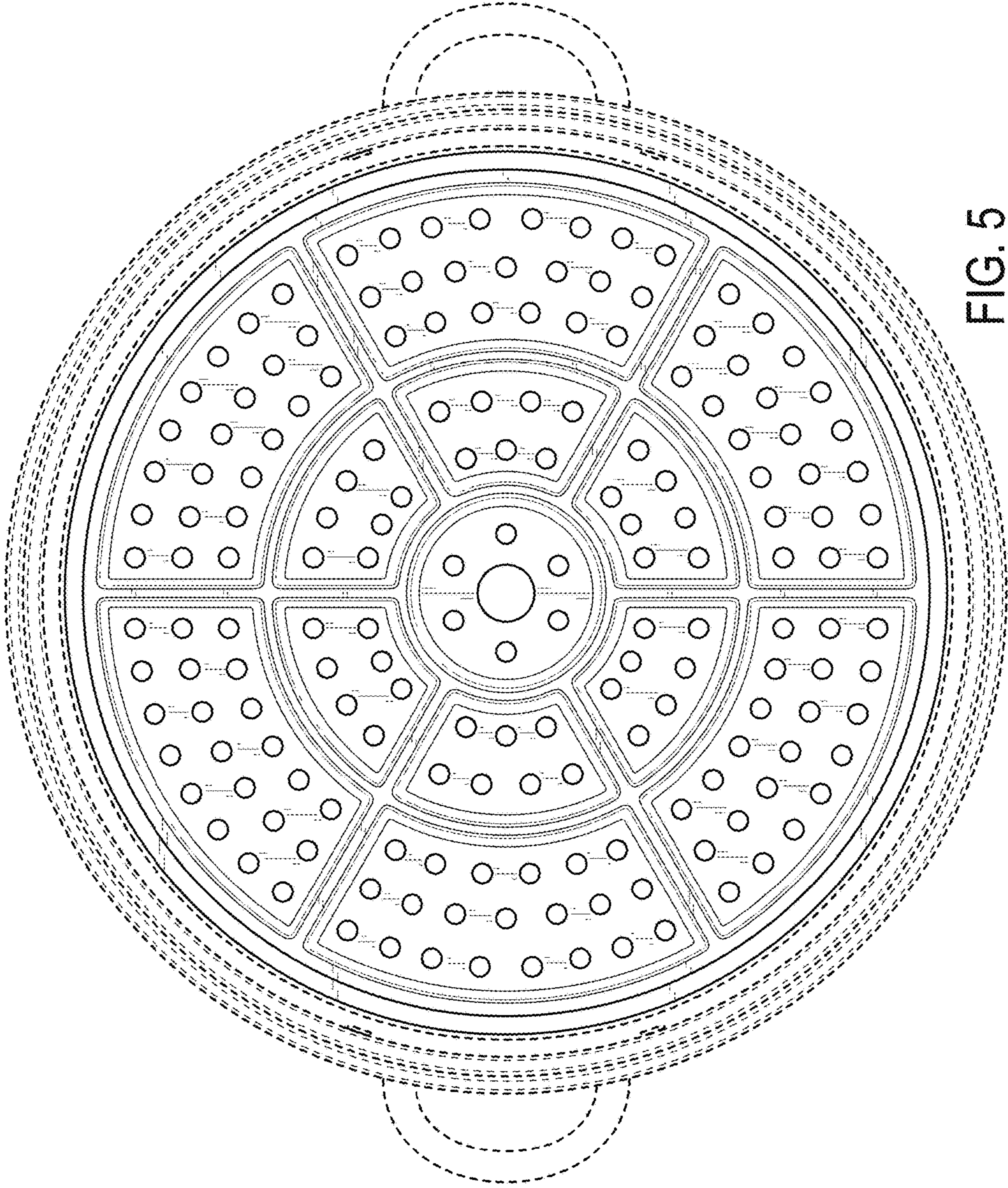


FIG. 5

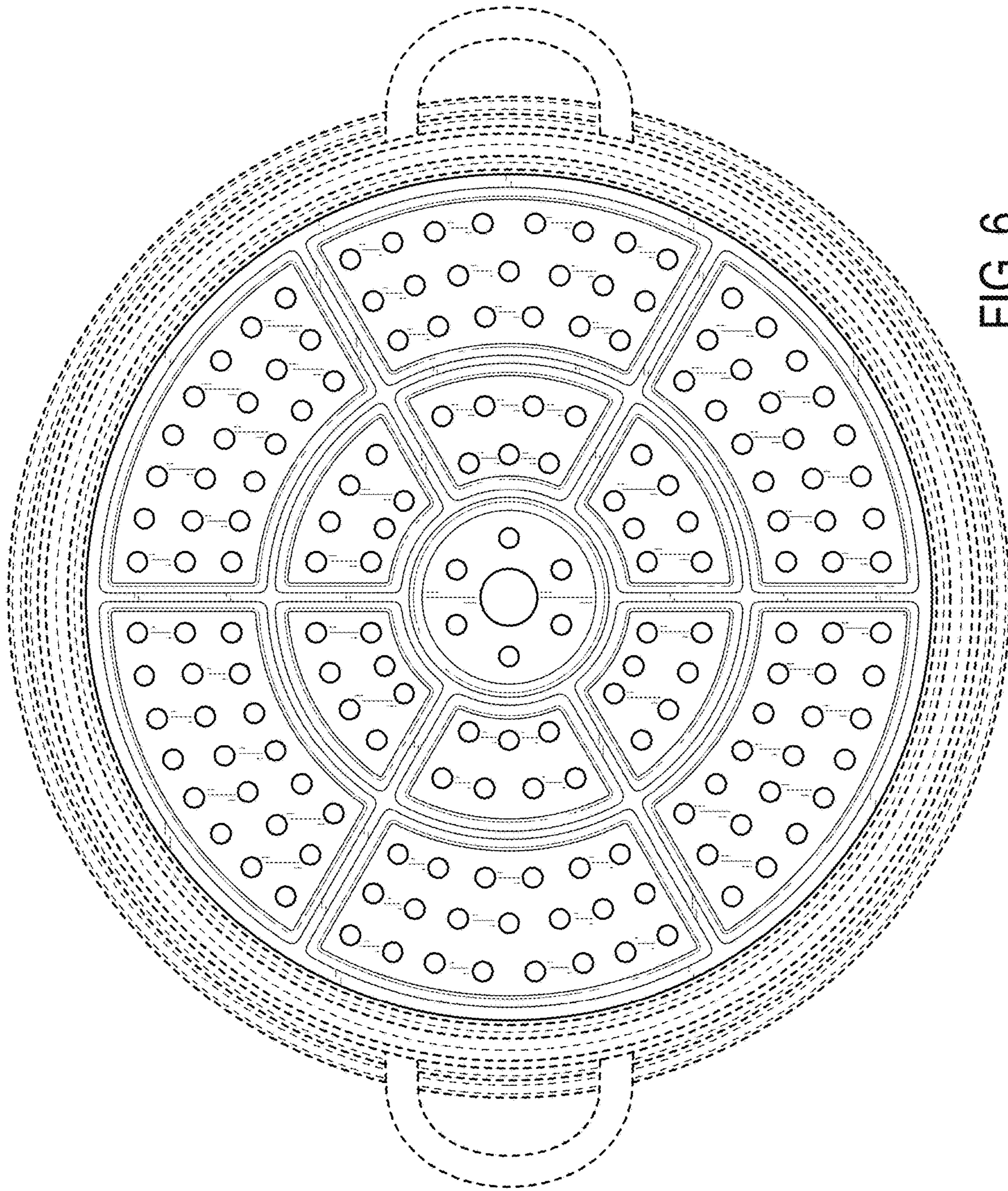


FIG. 6