



US00D821139S

(12) **United States Design Patent**
Jeon et al.

(10) **Patent No.:** **US D821,139 S**
(45) **Date of Patent:** **** Jun. 26, 2018**

(54) **GAS OVEN RANGE**

(71) Applicant: **SAMSUNG ELECTRONICS CO., LTD.**, Suwon-si, Gyeonggi-do (KR)

(72) Inventors: **Jongsu Jeon**, Seongnam-si (KR); **Binna Kim**, Seoul (KR); **Jae-moon Lee**, Seoul (KR); **Hwanwoong Choi**, Seoul (KR)

(73) Assignee: **SAMSUNG ELECTRONICS CO., LTD.**, Gyeonggi-Do (KR)

(**) Term: **15 Years**

(21) Appl. No.: **29/601,959**

(22) Filed: **Apr. 27, 2017**

(30) **Foreign Application Priority Data**

Oct. 28, 2016 (KR) 30-2016-0051885

(51) **LOC (11) Cl.** **07-02**

(52) **U.S. Cl.**
USPC **D7/406**

(58) **Field of Classification Search**
USPC D7/402, 405, 406, 323, 339-340,
D7/346-349, 350.1, 350.2, 350.3, 350.4,
D7/351, 332
CPC .. H05B 1/0261; H05B 1/0263; H05B 1/0266;
F24C 3/008; F24C 5/00; F24C 7/00;
F24C 15/02; F24C 15/024
See application file for complete search history.

(56) **References Cited**

U.S. PATENT DOCUMENTS

D538,582 S * 3/2007 Kim D7/340
D541,577 S * 5/2007 Kim D7/340
(Continued)

FOREIGN PATENT DOCUMENTS

KR 300608756 S 8/2011
KR 300664090 S 10/2012
KR 300810740 S 8/2015

OTHER PUBLICATIONS

Discovery 48" Dual-Fuel Range DYRP48. Dacor the Life of the Kitchen [online]. p. 1-6 [retrieved on Apr. 26, 2017]. Retrieved from the Internet: <URL: <http://www.dacor.com/Products/Ranges/Discovery-48-Dual-Fuel-Range>>.

(Continued)

Primary Examiner — Sheryl Lane

Assistant Examiner — Nicole C Shiflet

(74) *Attorney, Agent, or Firm* — Cantor Colburn LLP

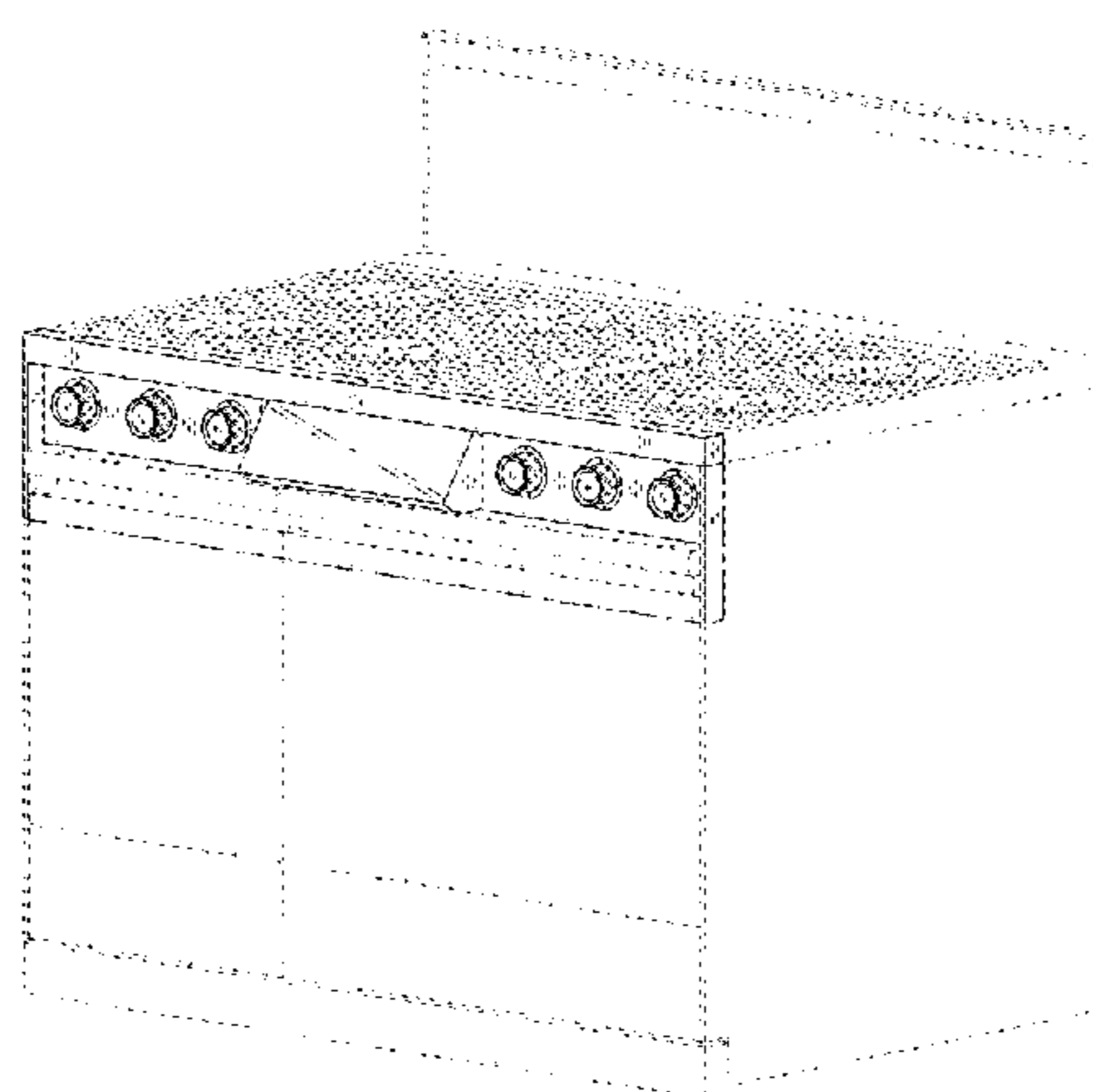
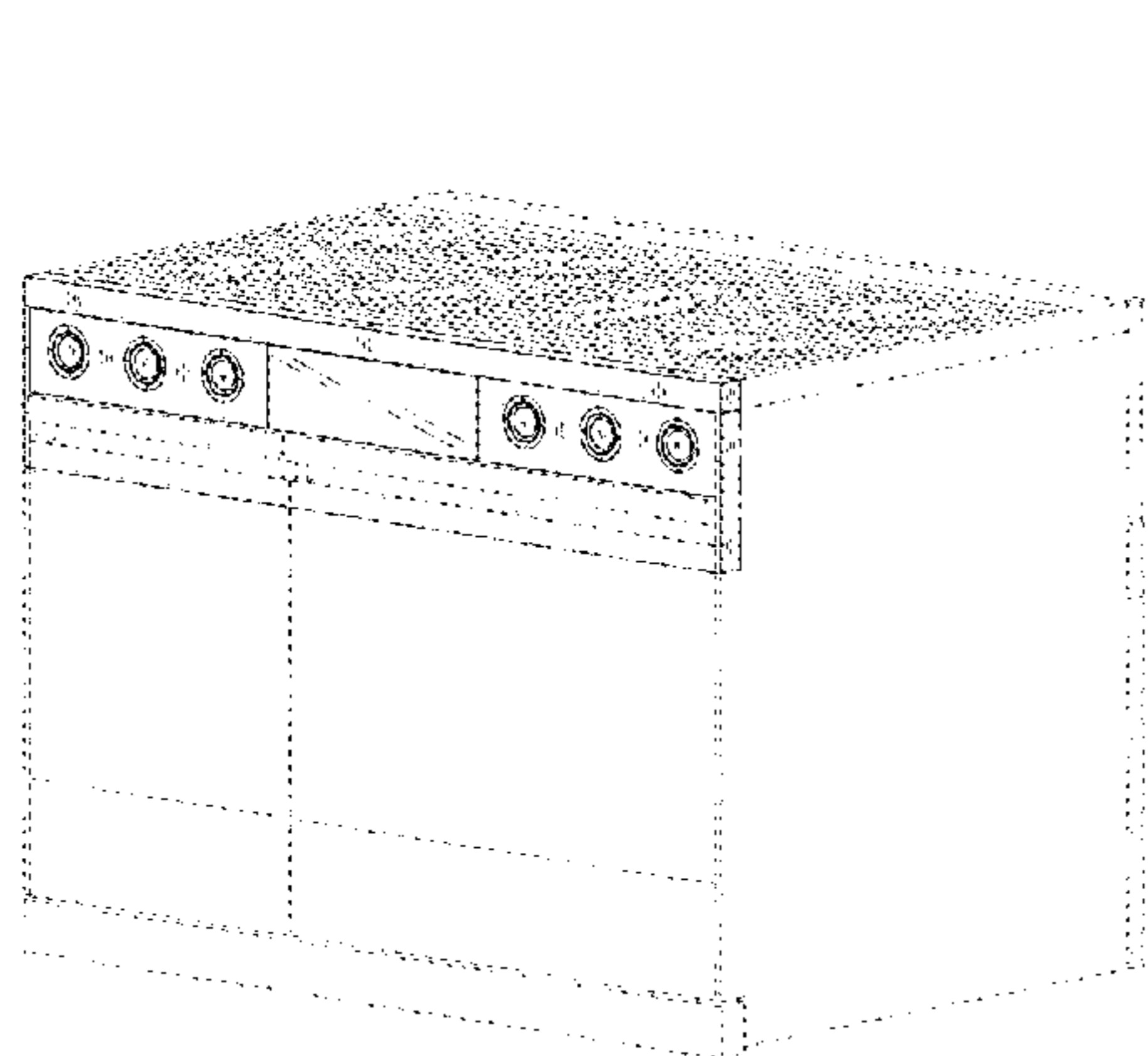
(57) **CLAIM**

The ornamental design for a gas oven range, as shown and described.

DESCRIPTION

FIG. 1 is a perspective view of a gas oven range, showing our new design;
FIG. 2 is a front view thereof;
FIG. 3 is a rear view thereof;
FIG. 4 is a left side view thereof;
FIG. 5 is a right side view thereof;
FIG. 6 is a top view thereof;
FIG. 7 is a bottom view thereof;
FIG. 8 is a perspective view thereof in an alternate position;
FIG. 9 is a front view thereof;
FIG. 10 is a rear view thereof;
FIG. 11 is a left side view thereof;
FIG. 12 is a right side view thereof;
FIG. 13 is a top view thereof; and,
FIG. 14 is a bottom view thereof.
The broken lines illustrating portions of the gas oven range form no part of the claimed design.
The dot-dashed broken lines define boundaries of the claimed design and form no part of the claimed design.

1 Claim, 14 Drawing Sheets



(56)

References Cited

U.S. PATENT DOCUMENTS

D586,618 S *	2/2009	Cutino	D7/405
D645,702 S *	9/2011	Baacke	D7/405
D646,112 S *	10/2011	Park	D7/348
D646,519 S *	10/2011	Kim	D7/346
D762,086 S *	7/2016	Kim	D7/405
D781,096 S *	3/2017	Kim	D7/339
D781,636 S *	3/2017	Kim	D7/348
D786,006 S *	5/2017	Chung	D7/340
D787,257 S *	5/2017	Kim	D7/339
D788,513 S *	6/2017	Chung	D7/323
D794,389 S *	8/2017	Hessen	D7/405

OTHER PUBLICATIONS

Jenn-Air 48" Pro-Style Dual-Fuel Range with Griddle and MultiMode Convection. [online]. p. 1-2 [retrieved on Apr. 26, 2017]. Retrieved from the Internet: <URL: <http://www.homeportfolio.com/catalog/Product.jhtml?prodId=249364>.

* cited by examiner

FIG. 1

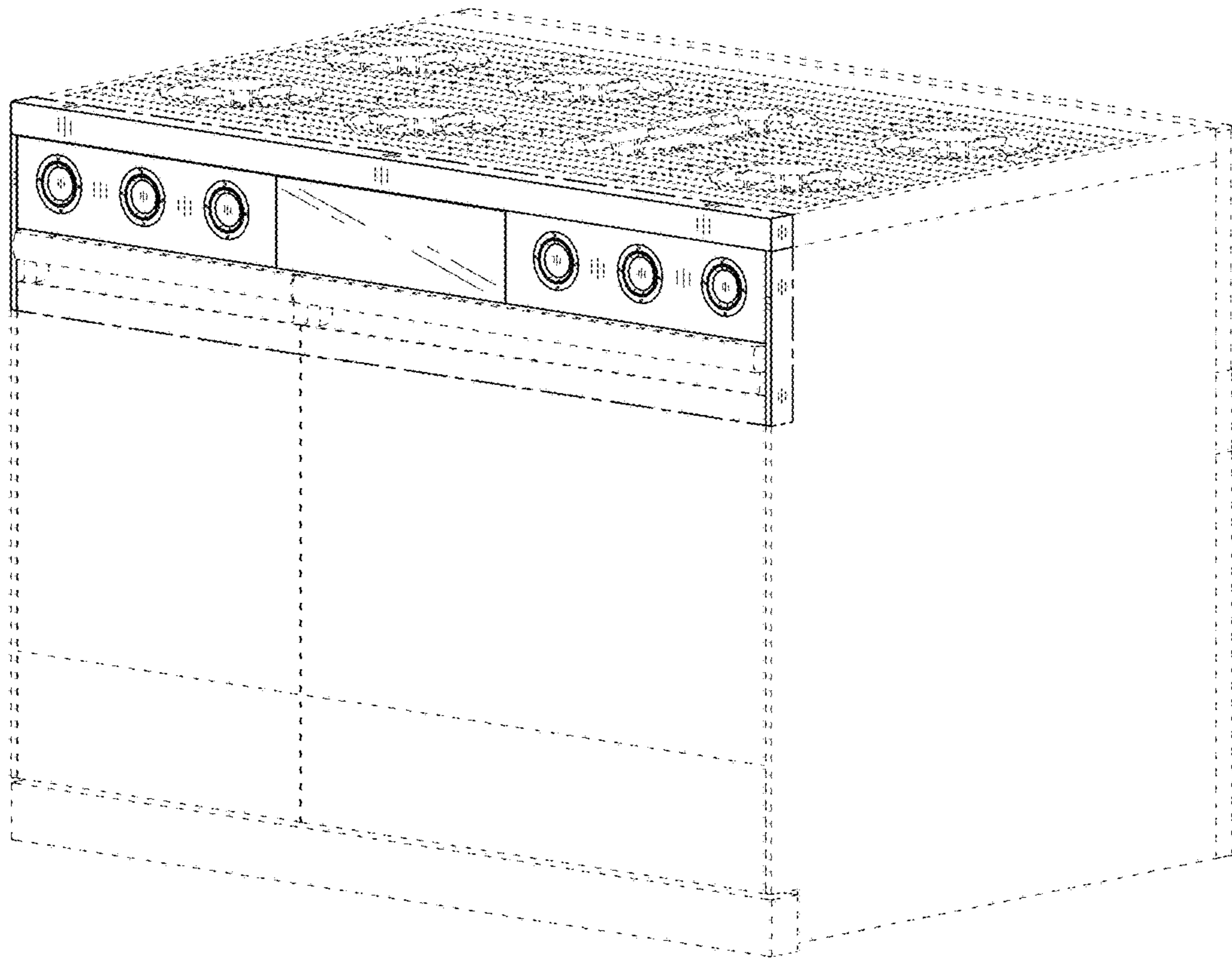


FIG. 2

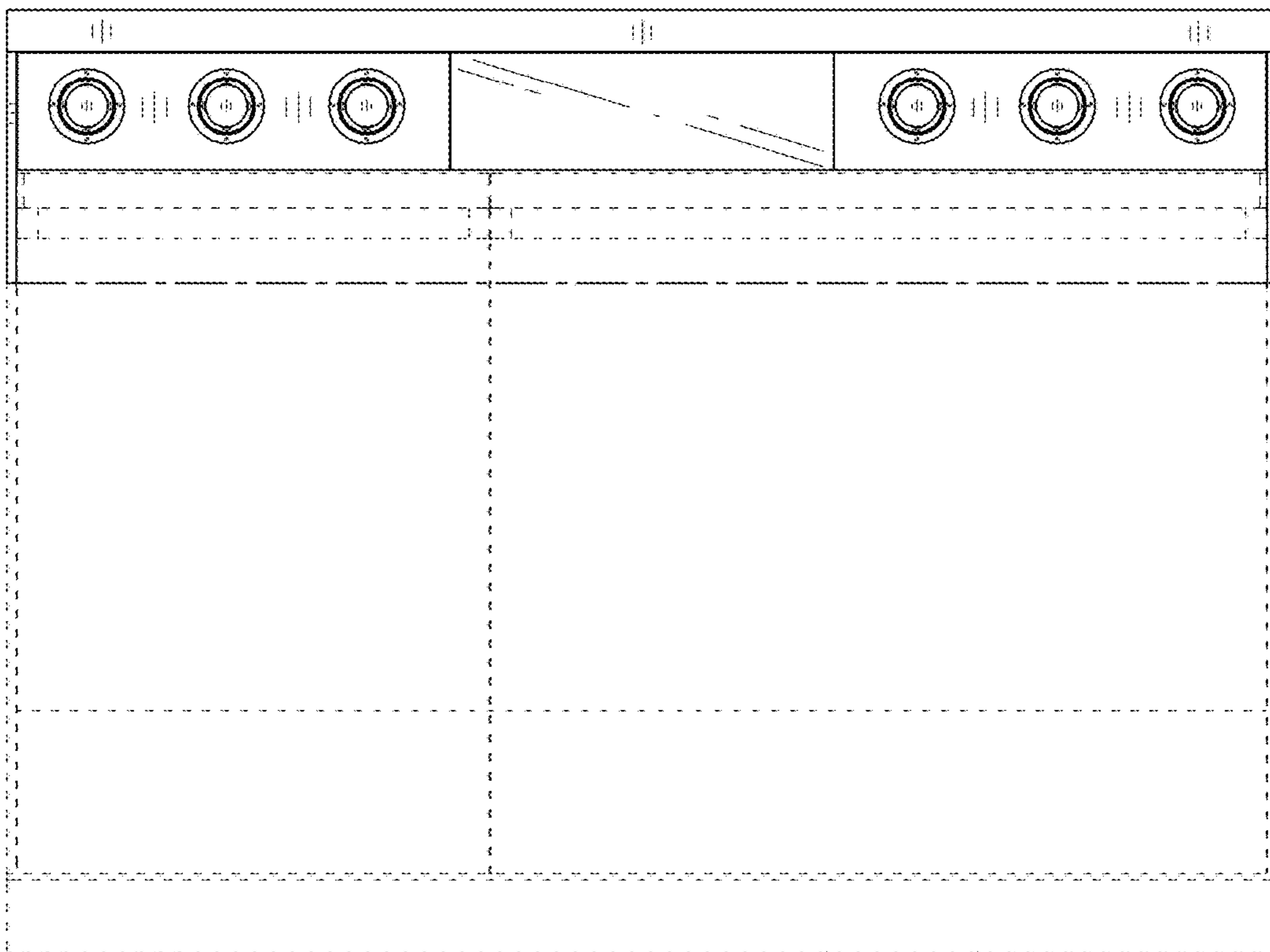


FIG. 3

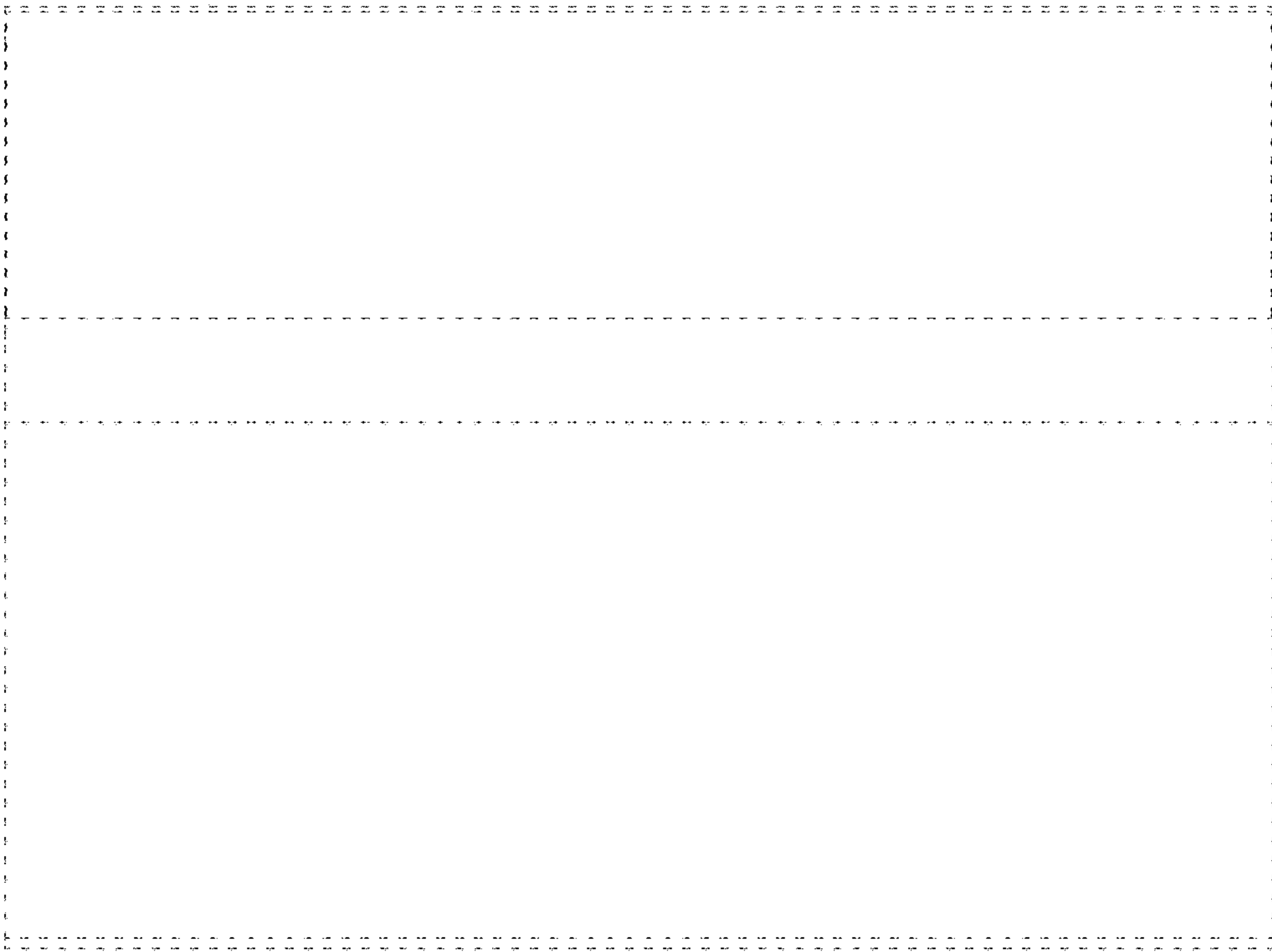


FIG. 4

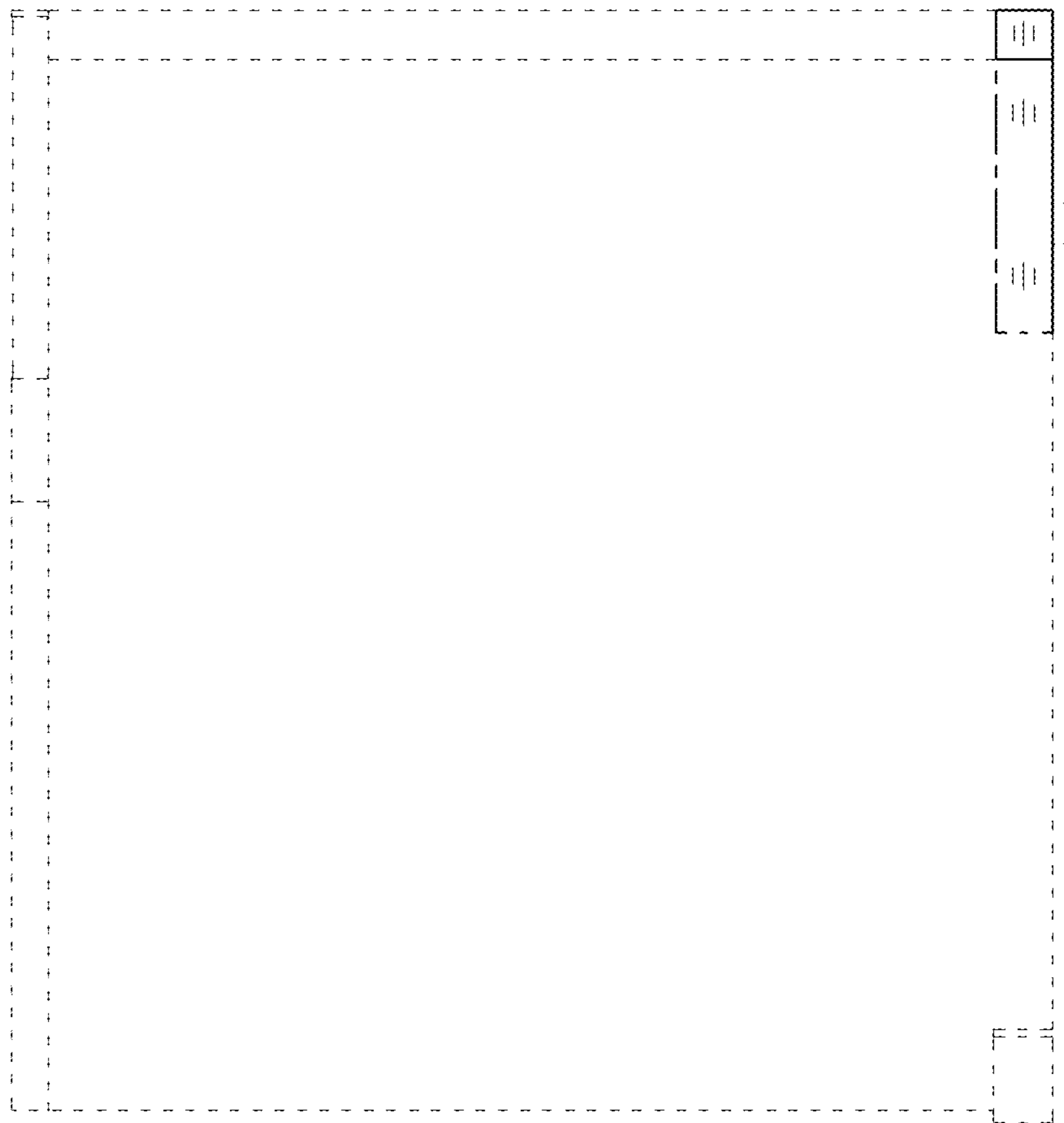


FIG. 5

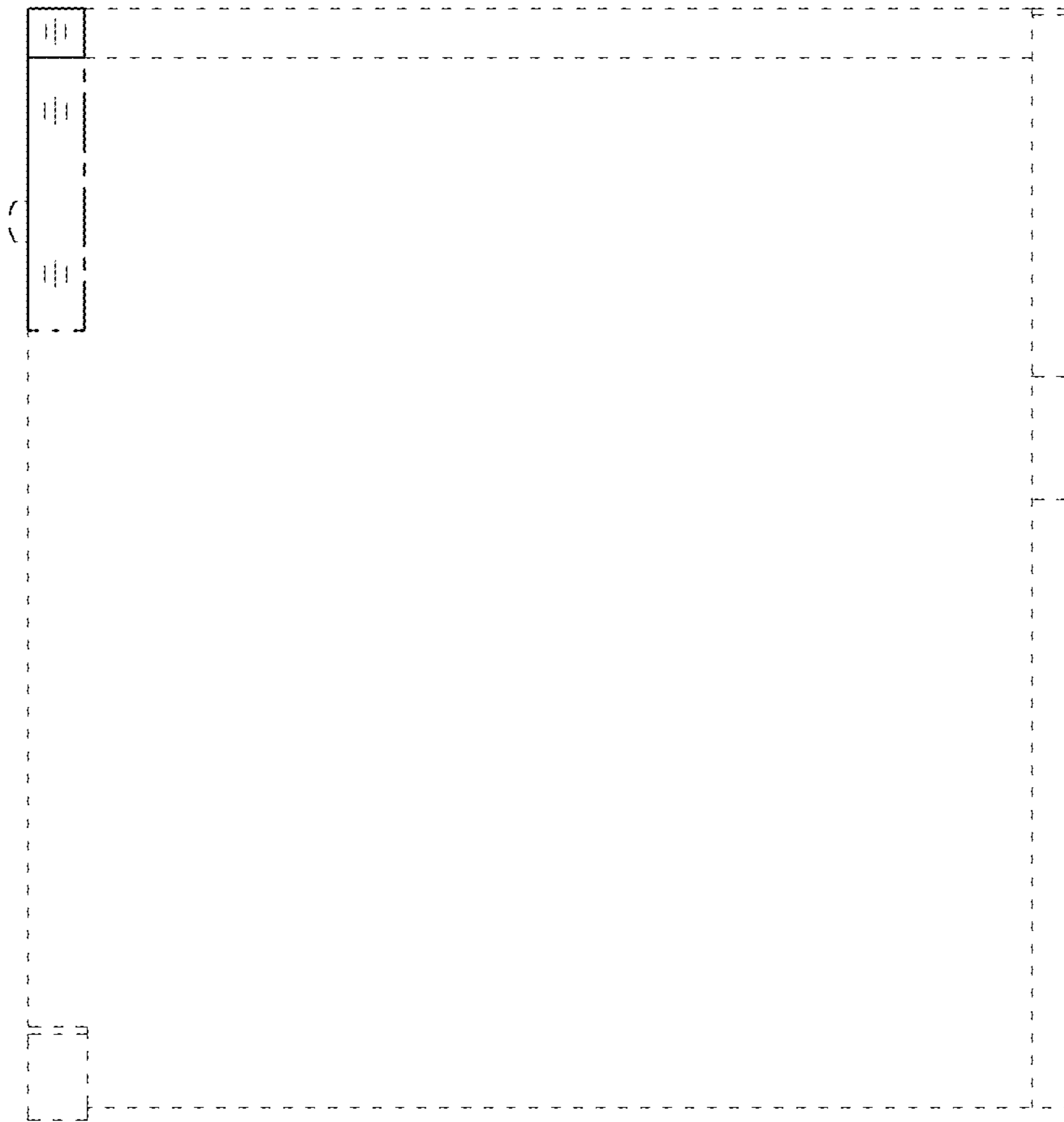


FIG. 6

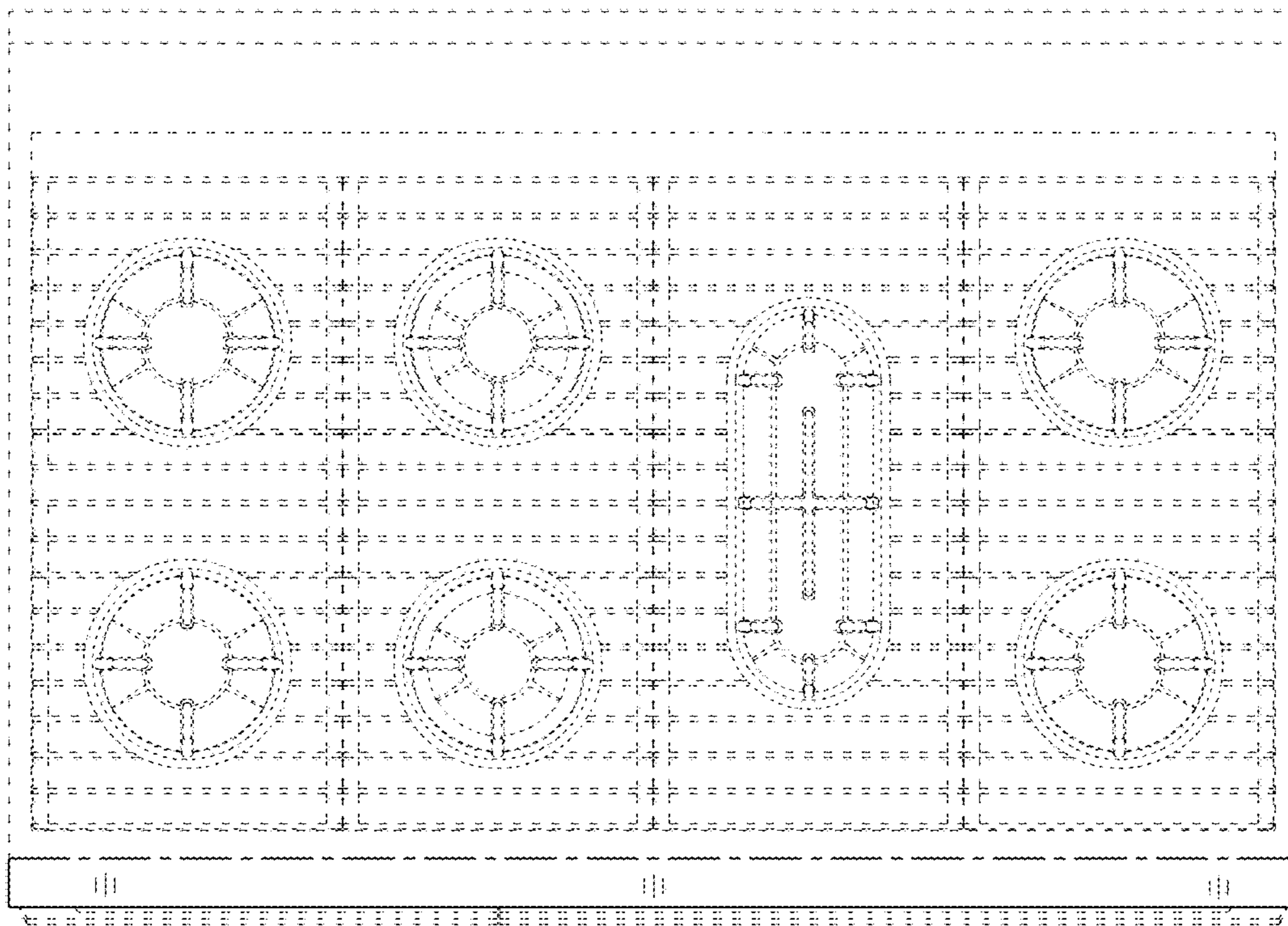


FIG. 7



FIG. 8

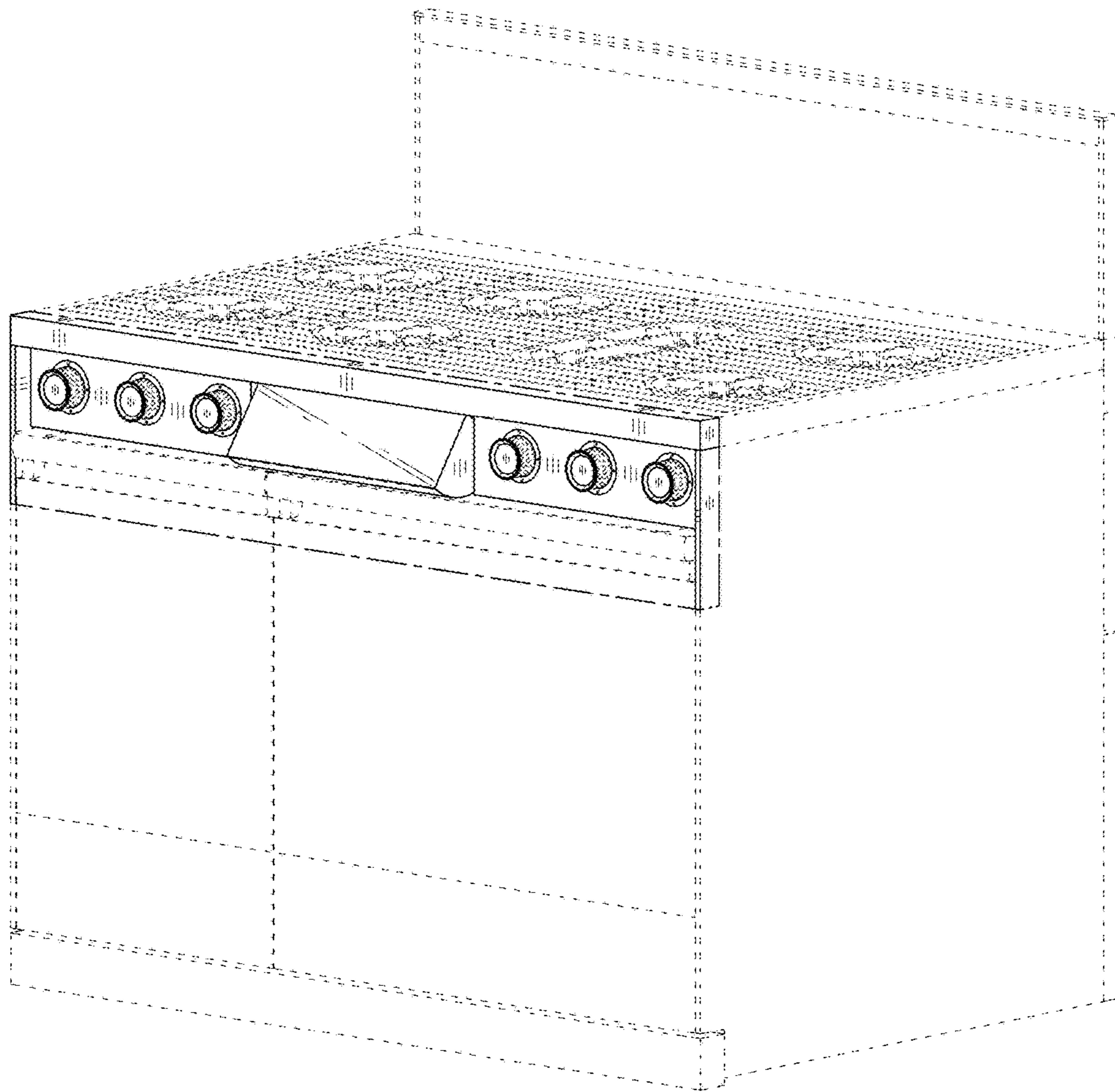


FIG. 9

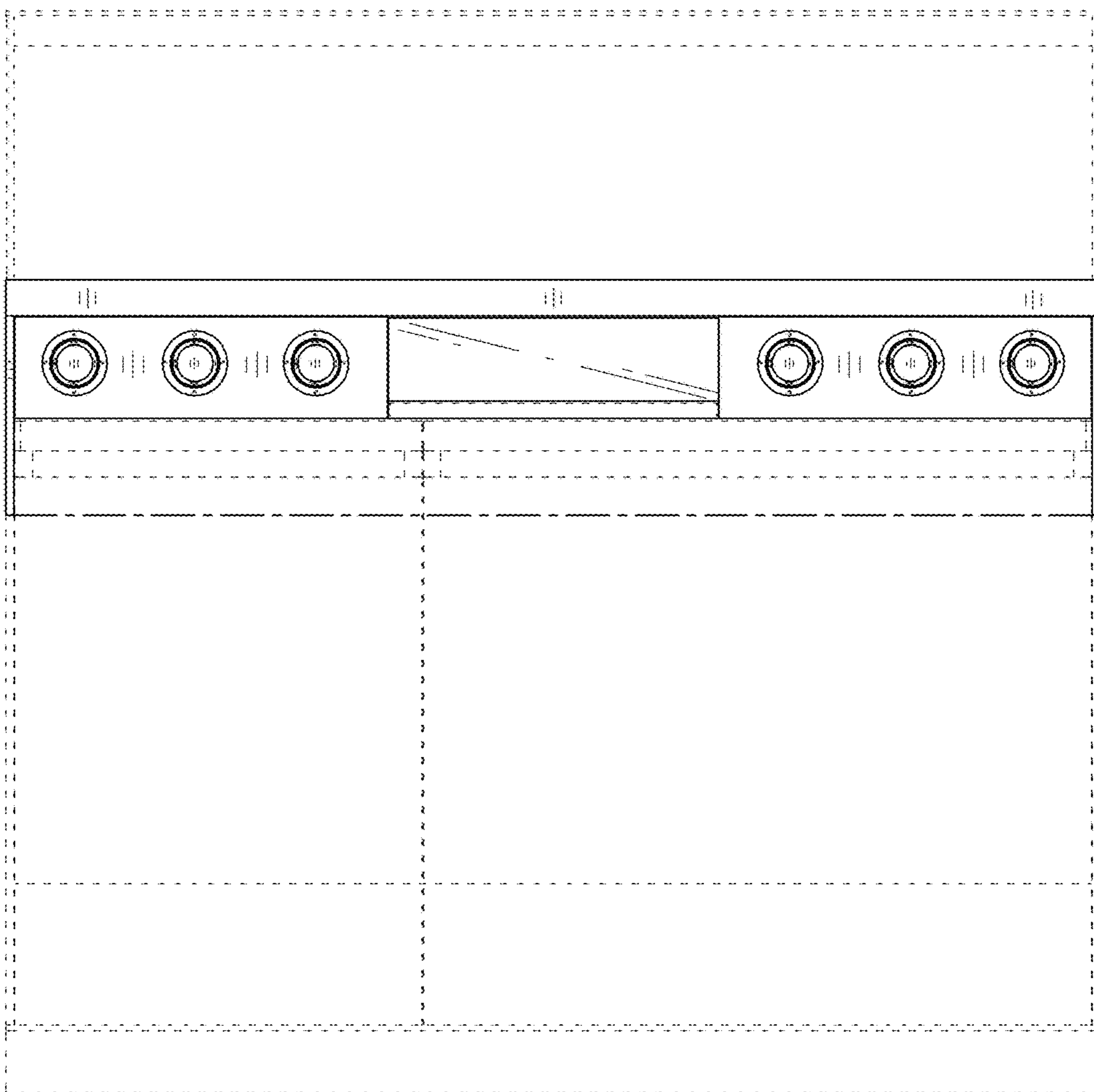


FIG. 10

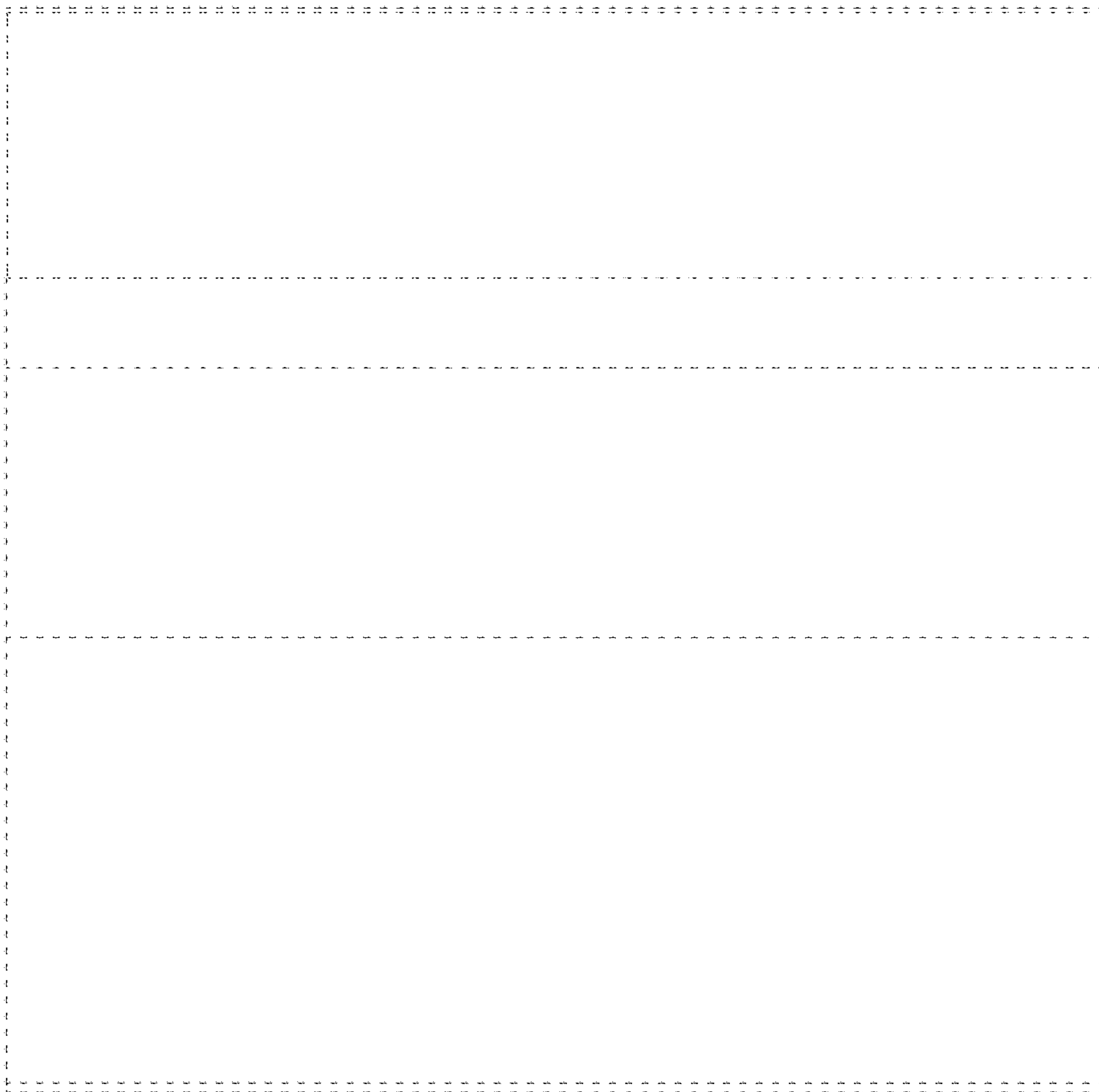


FIG. 11

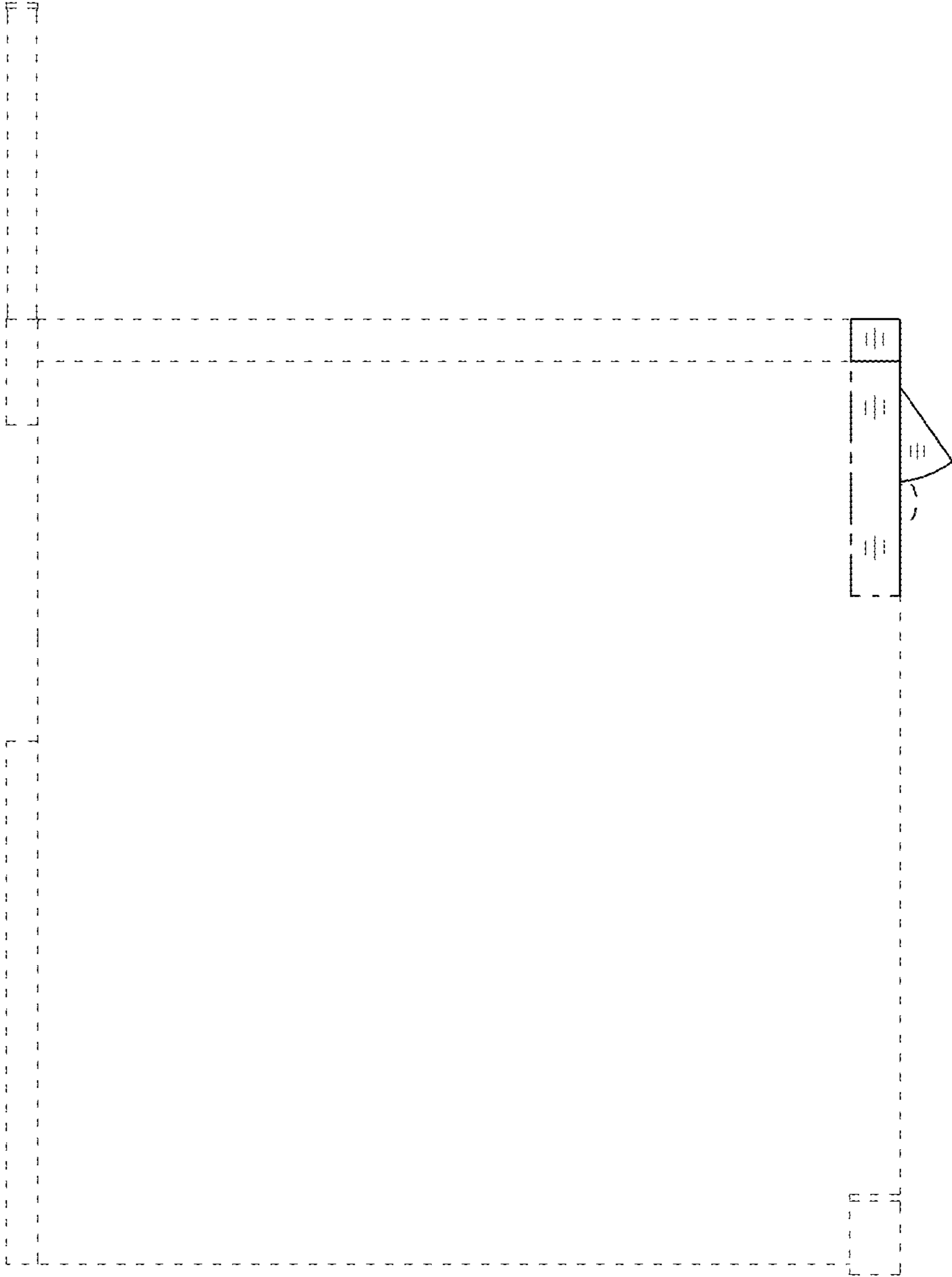


FIG. 12

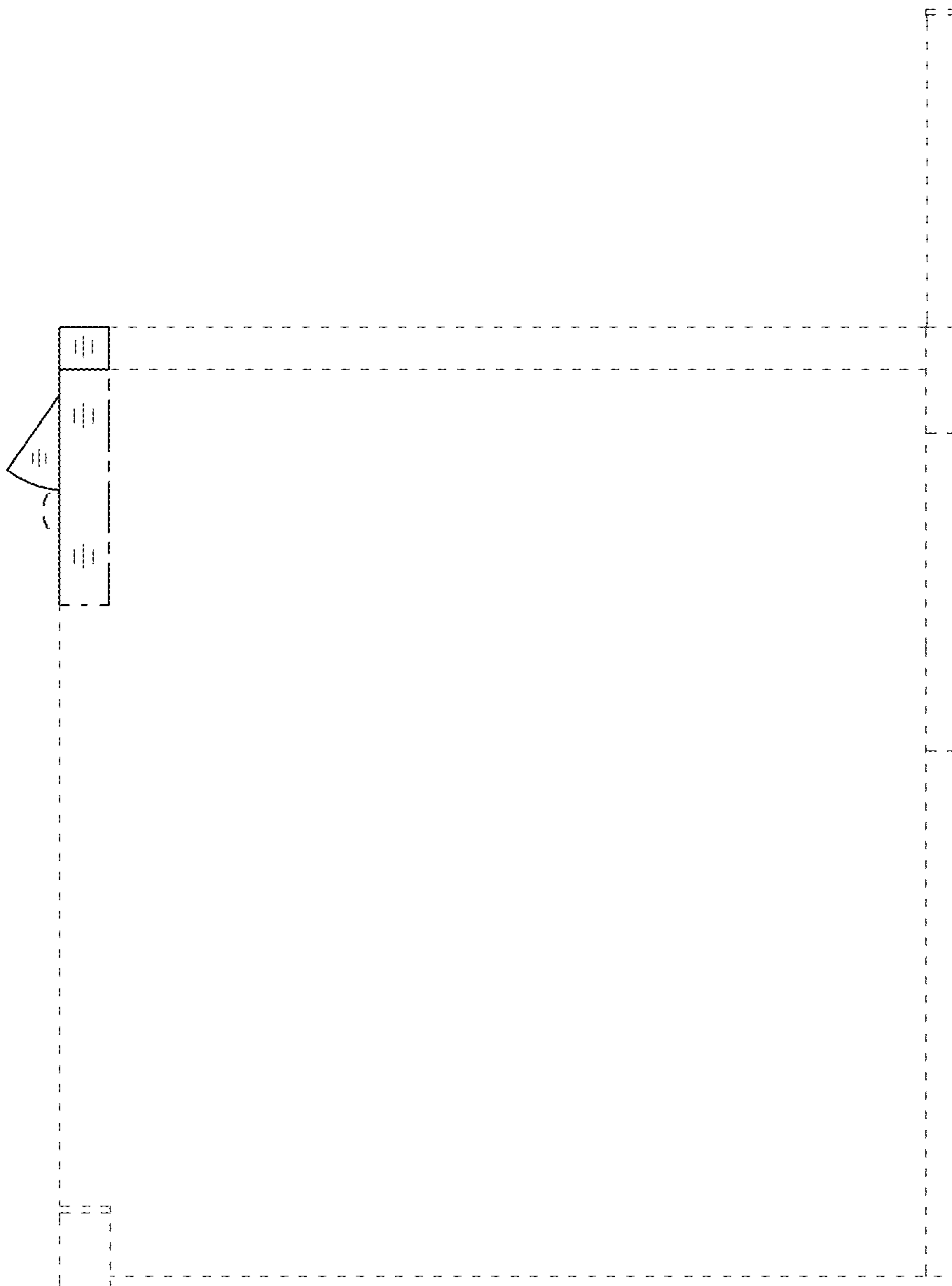


FIG. 13

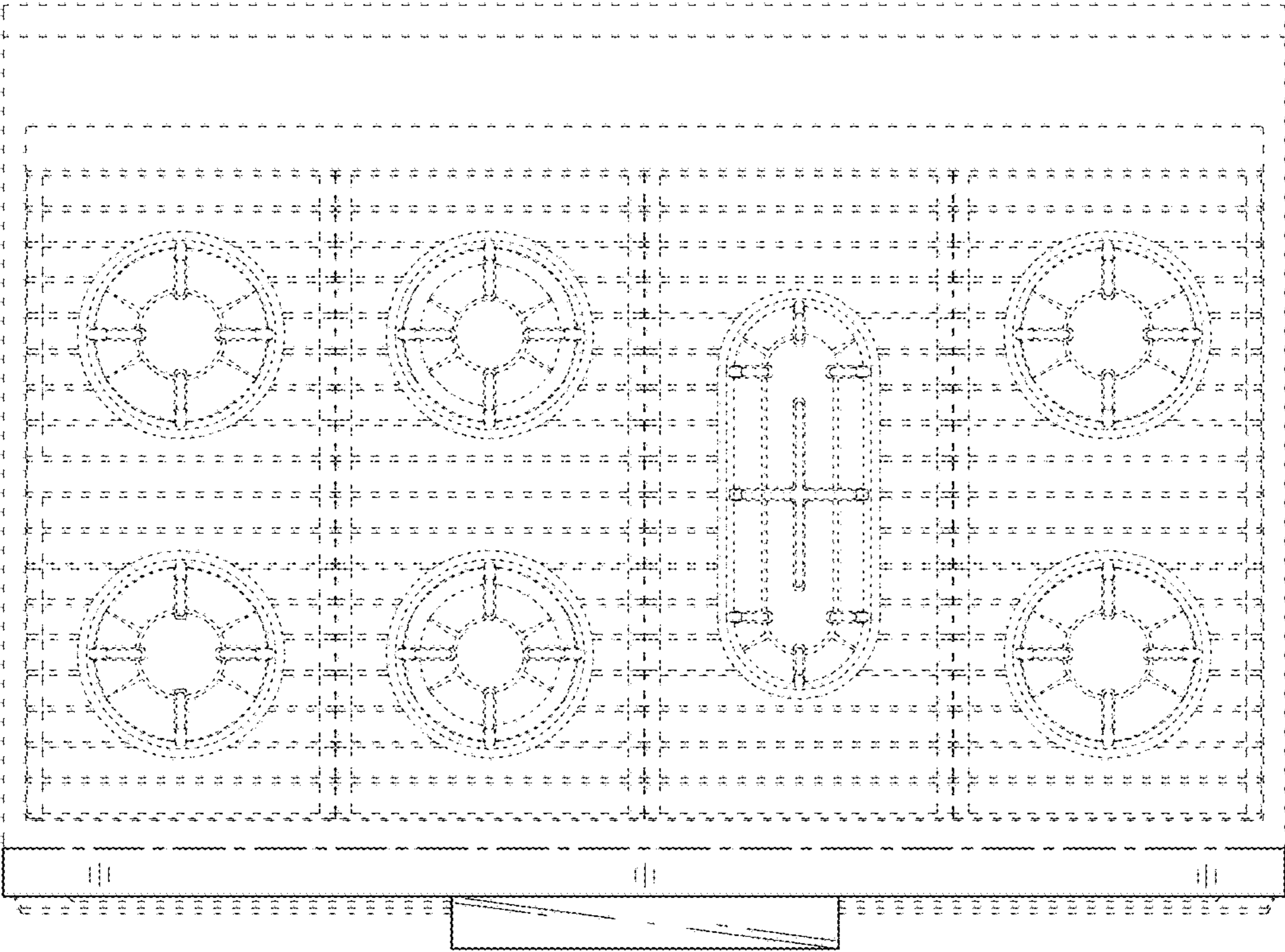


FIG. 14

