



US00D821137S

(12) **United States Design Patent**  
**Boroski**

(10) **Patent No.:** **US D821,137 S**  
(45) **Date of Patent:** **\*\* Jun. 26, 2018**

(54) **LID FOR A BEVERAGE CONTAINER**

(71) Applicant: **THERMOS L.L.C.**, Schaumburg, IL  
(US)

(72) Inventor: **Dwayne Boroski**, Lake in the Hills, IL  
(US)

(73) Assignee: **THERMOS L.L.C.**, Schaumburg, IL  
(US)

(\*\*) Term: **15 Years**

(21) Appl. No.: **29/587,502**

(22) Filed: **Dec. 13, 2016**

(51) **LOC (11) Cl.** ..... **07-99**

(52) **U.S. Cl.**  
USPC ..... **D7/392.1**; D7/396.2; D9/435

(58) **Field of Classification Search**  
USPC ..... D7/507, 509, 510, 511, 523, 527, 529,  
D7/531, 532, 533, 534, 535, 536, 608,  
D7/300, 300.1, 300.2; D34/39; D9/503,  
D9/907, 531, 435; 220/592.16, 592.17,  
220/495.03, 705-710  
CPC ..... A47G 19/22; A47G 19/2205; A47G  
19/2222; A45F 3/16; A45F 3/20; B67D  
7/06; B67D 1/0004; B65D 25/14  
See application file for complete search history.

(56) **References Cited**

**U.S. PATENT DOCUMENTS**

D231,087 S *	4/1974	Edwards	.....	D9/503
D269,148 S *	5/1983	Trkla	.....	D34/39
D565,902 S *	4/2008	Bodum	.....	D7/500
D569,175 S *	5/2008	Mansfield	.....	D7/387
D608,640 S *	1/2010	Carreno	.....	D9/449
D655,580 S *	3/2012	Kotani	.....	D7/608
D686,040 S *	7/2013	Lane	.....	D7/510

D686,448 S *	7/2013	Boroski	.....	D7/392.1
D686,871 S *	7/2013	Lane	.....	D7/392.1
D686,872 S *	7/2013	Lane	.....	D7/392.1
D695,069 S *	12/2013	Lane	.....	D7/510
D696,551 S *	12/2013	Meyers	.....	D7/392.1
D718,626 S *	12/2014	Lane	.....	B65D 41/62 D9/449
D720,574 S *	1/2015	Boroski	.....	D7/510
D729,011 S *	5/2015	Boroski	.....	D7/511
D744,286 S *	12/2015	Morris, II	.....	D7/523
D744,290 S *	12/2015	Endo	.....	D7/608

(Continued)

*Primary Examiner* — Marianne Pandozzi

*Assistant Examiner* — Jae Liang

(74) *Attorney, Agent, or Firm* — Polsinelli PC

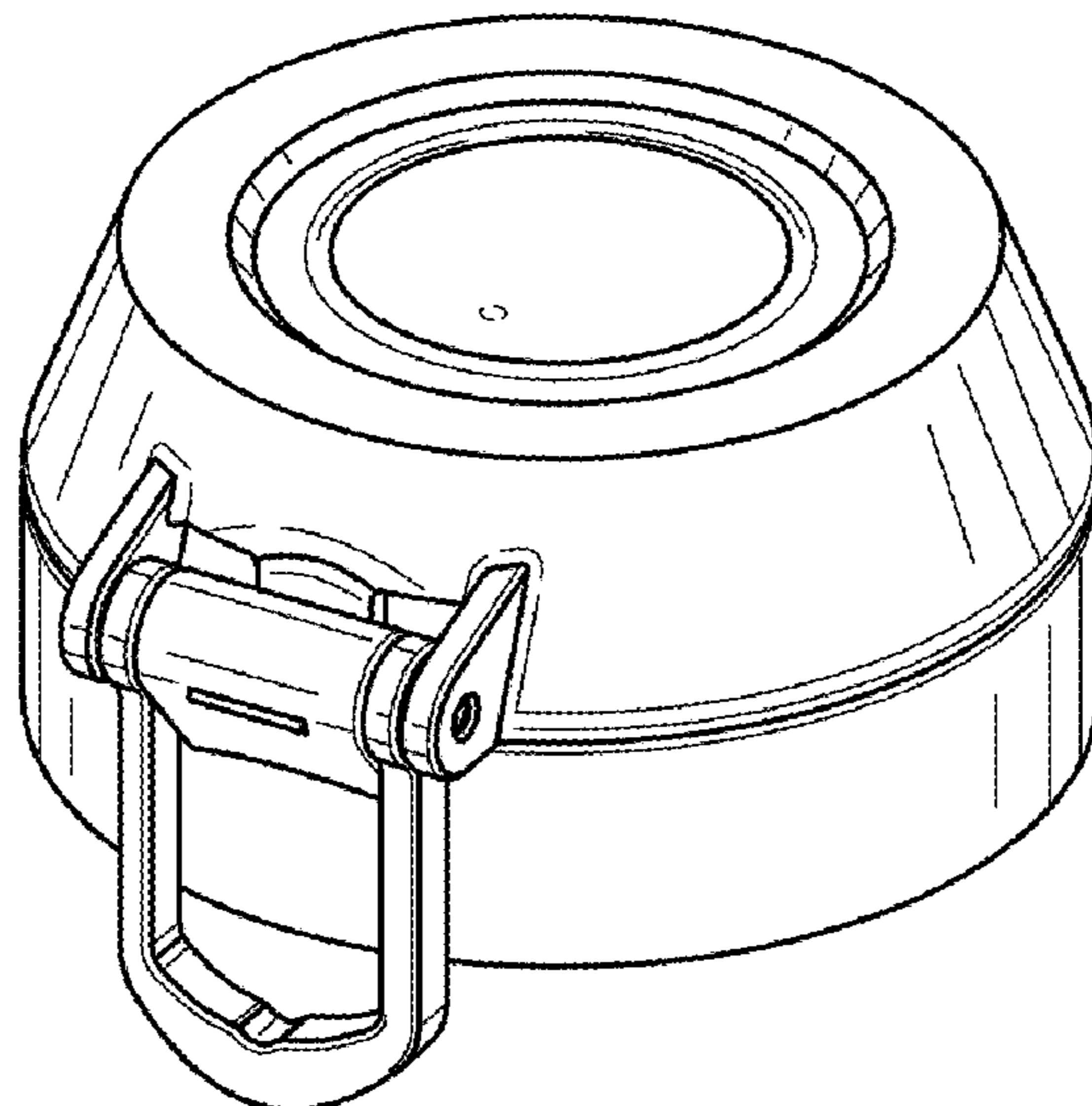
(57) **CLAIM**

The ornamental design for a lid for a beverage container, as shown and described.

**DESCRIPTION**

FIG. 1 is a perspective view of a lid for a beverage container; FIG. 2 is a bottom perspective view of the lid for a beverage container; FIG. 3 is a front view of the lid for a beverage container; FIG. 4 is a rear side view of the lid for a beverage container; FIG. 5 is a right side view of the lid for a beverage container; FIG. 6 is a left side view of the lid for a beverage container; and, FIG. 7 is a top view of the lid for a beverage container; and, FIG. 8 is a bottom view of the lid for a beverage container. The broken lines showing in the figures are included for the purpose of illustrating portions of the lid for a beverage container that form no part of the claimed design. The dash-dot lines showing in the figures are included for defining the bounds of the claimed design that form no part thereof.

**1 Claim, 4 Drawing Sheets**



(56)

**References Cited**

U.S. PATENT DOCUMENTS

D747,136 S \* 1/2016 Lane ..... D7/396.2  
D747,925 S \* 1/2016 Engler ..... D7/510  
D748,942 S \* 2/2016 Boroski ..... D7/376  
D758,790 S \* 6/2016 Boroski ..... D7/392.1  
D759,485 S \* 6/2016 Boroski ..... D9/449  
D770,222 S \* 11/2016 Boroski ..... D7/392.1  
D778,677 S \* 2/2017 Boroski ..... D7/510  
D780,578 S \* 3/2017 Lane ..... D7/396.2  
D788,530 S \* 6/2017 Kestenbaum ..... D7/509  
D794,453 S \* 8/2017 Boroski ..... D7/392.1  
D808,714 S \* 1/2018 Boroski ..... D7/396.4  
2013/0146048 A1\* 6/2013 Hopfe ..... F24J 2/0007  
126/704  
2013/0319966 A1\* 12/2013 Lane ..... B65D 43/26  
215/237  
2014/0175098 A1\* 6/2014 Lane ..... A45F 3/16  
220/212.5

\* cited by examiner

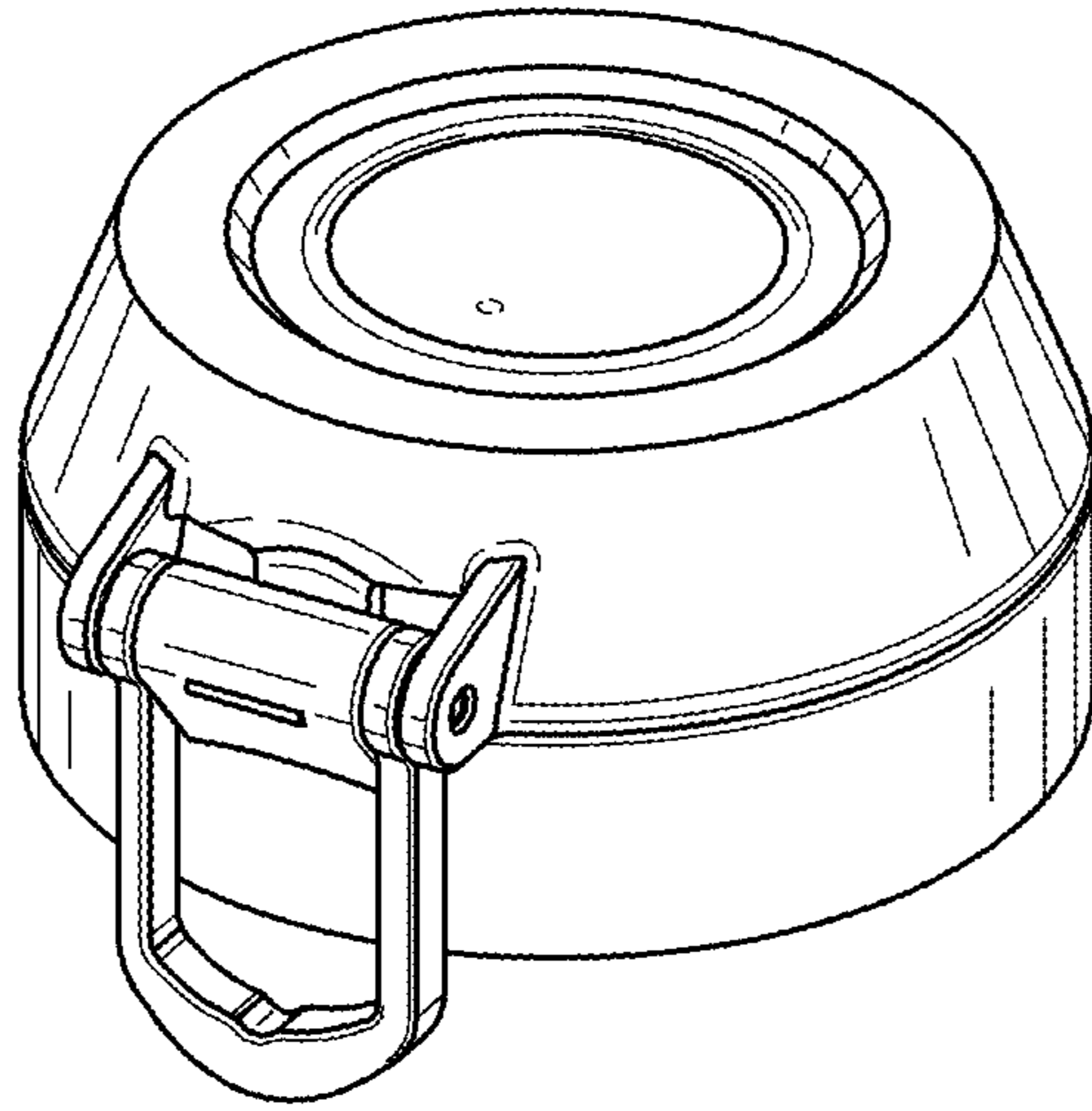


FIG. 1

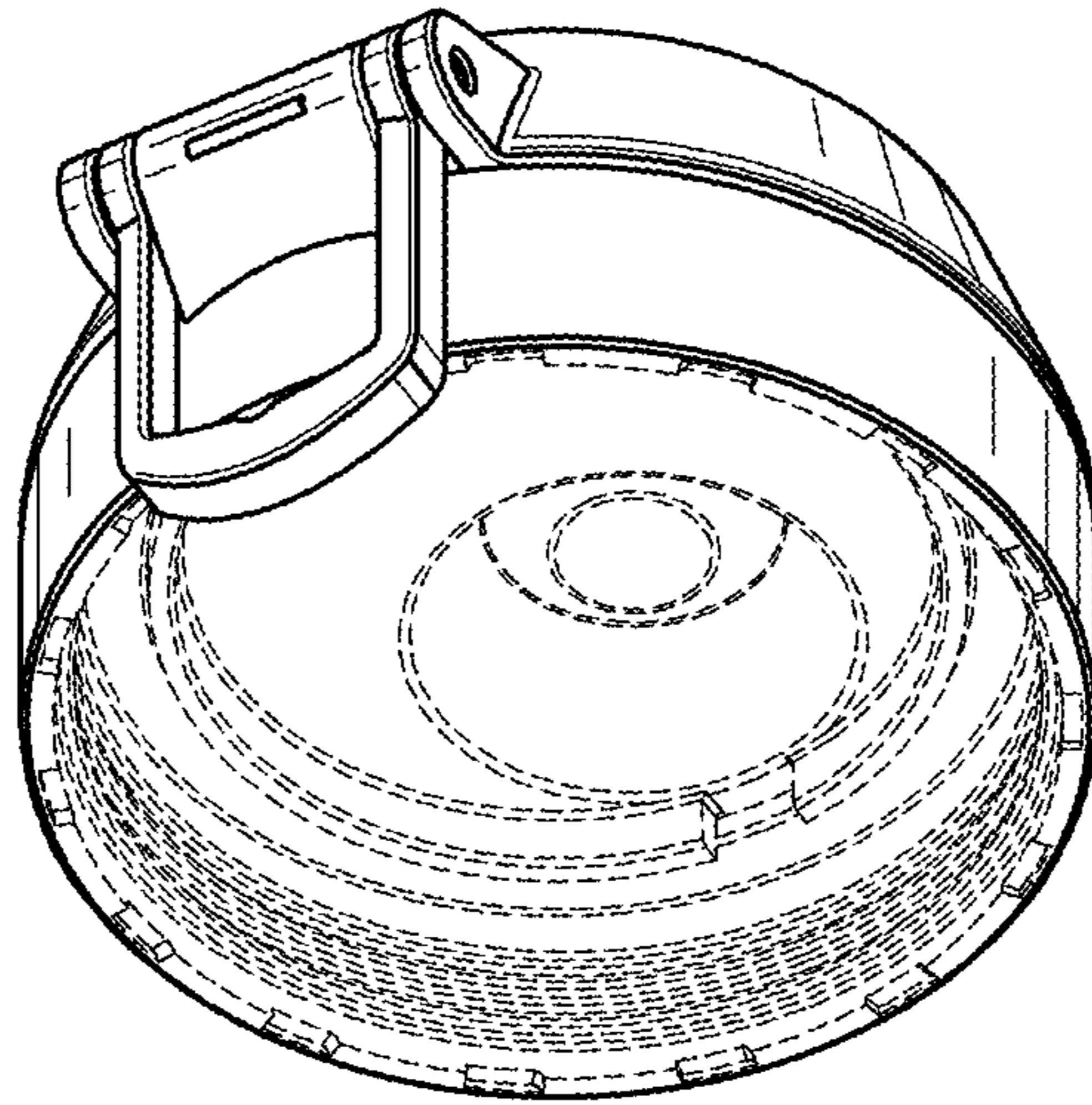


FIG. 2

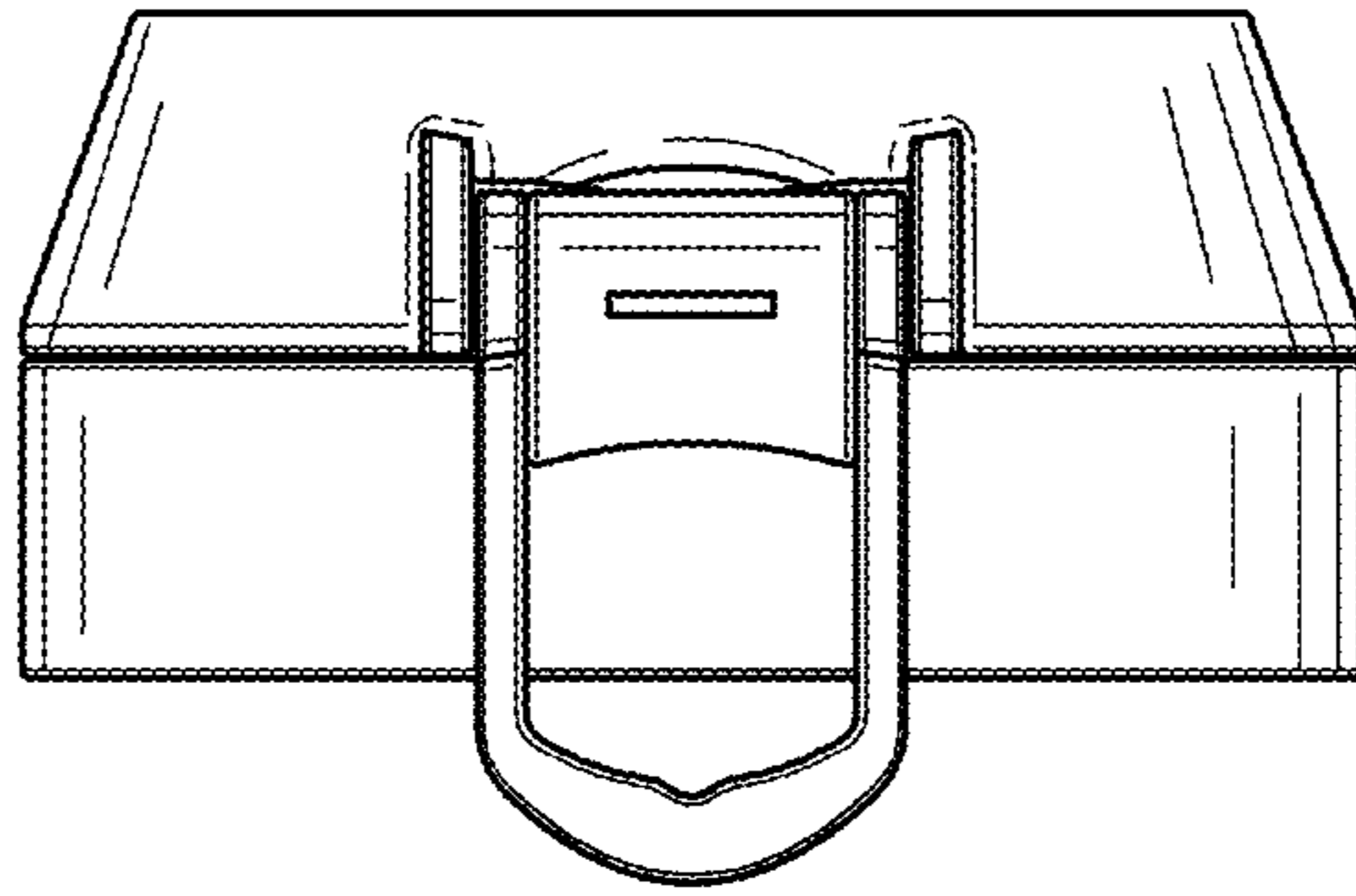


FIG. 3

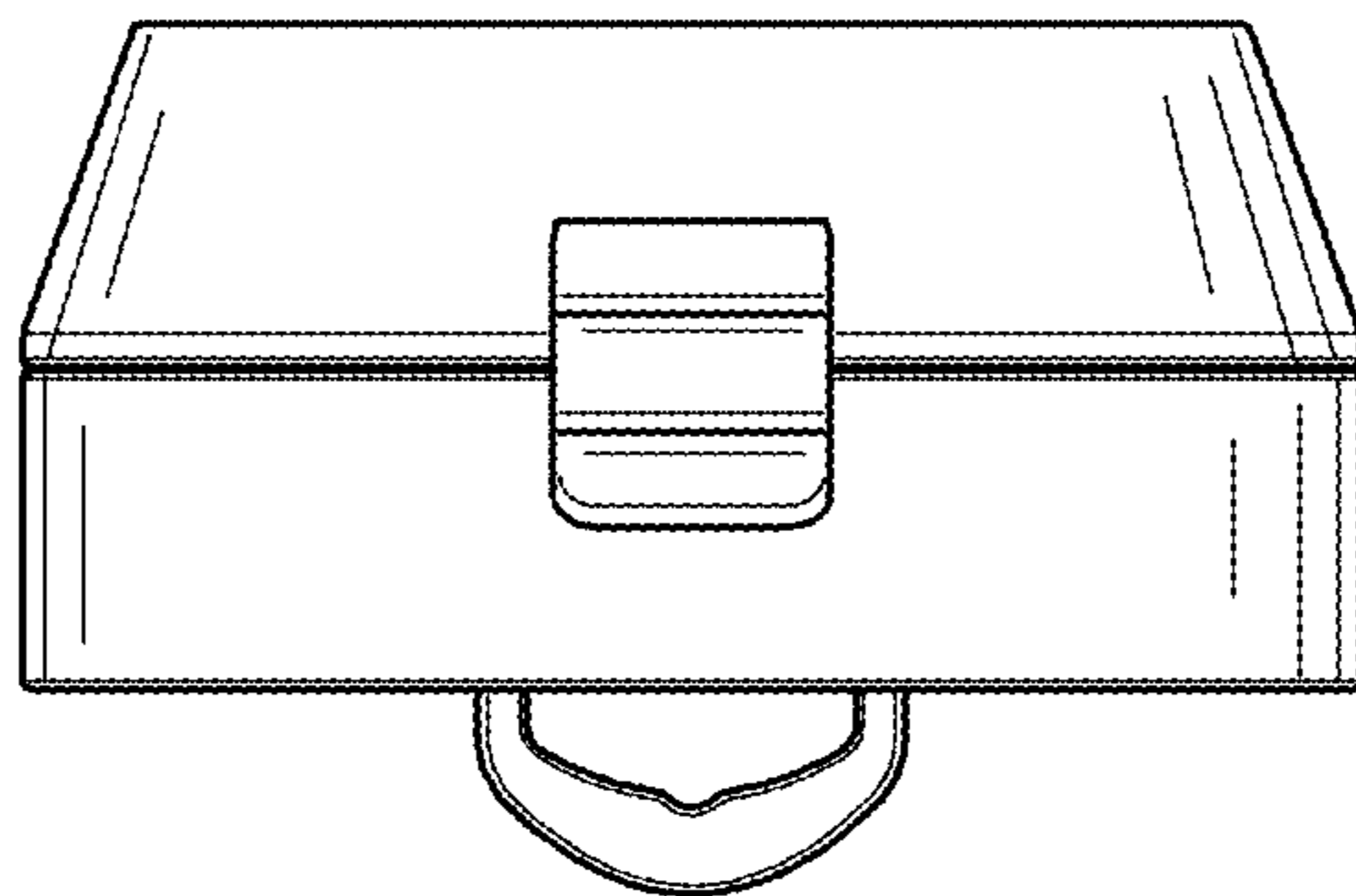


FIG. 4

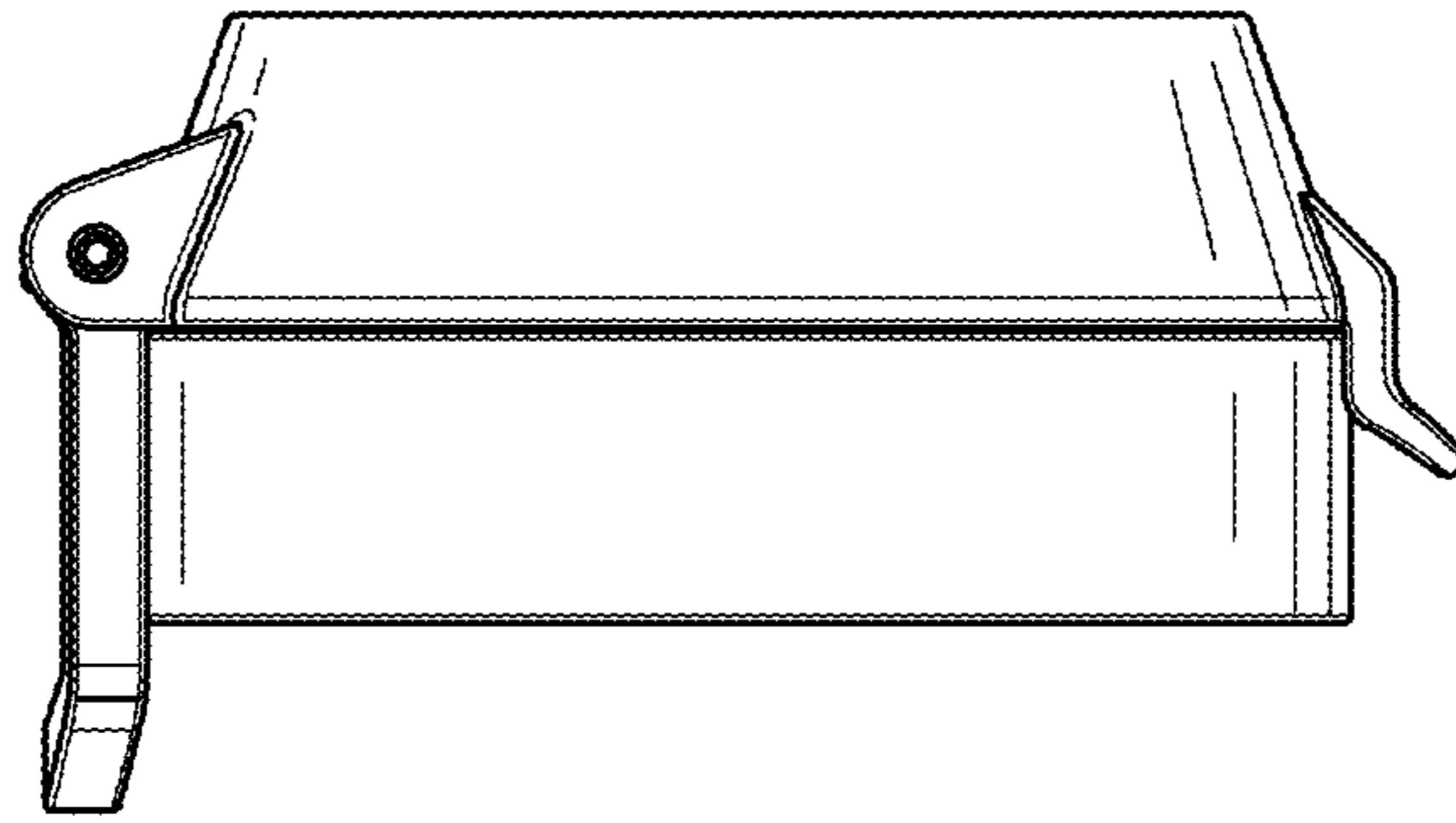


FIG. 5

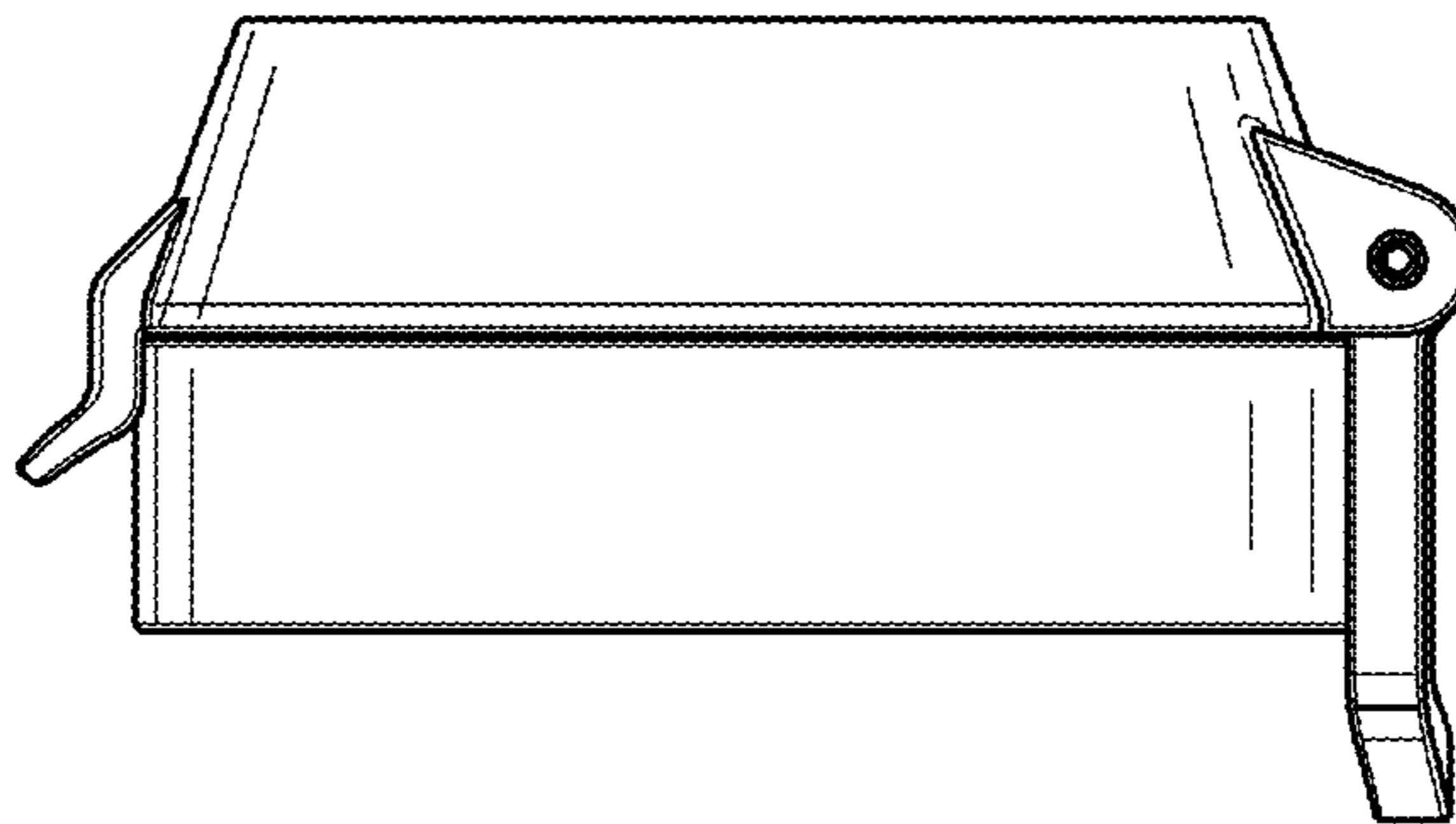


FIG. 6

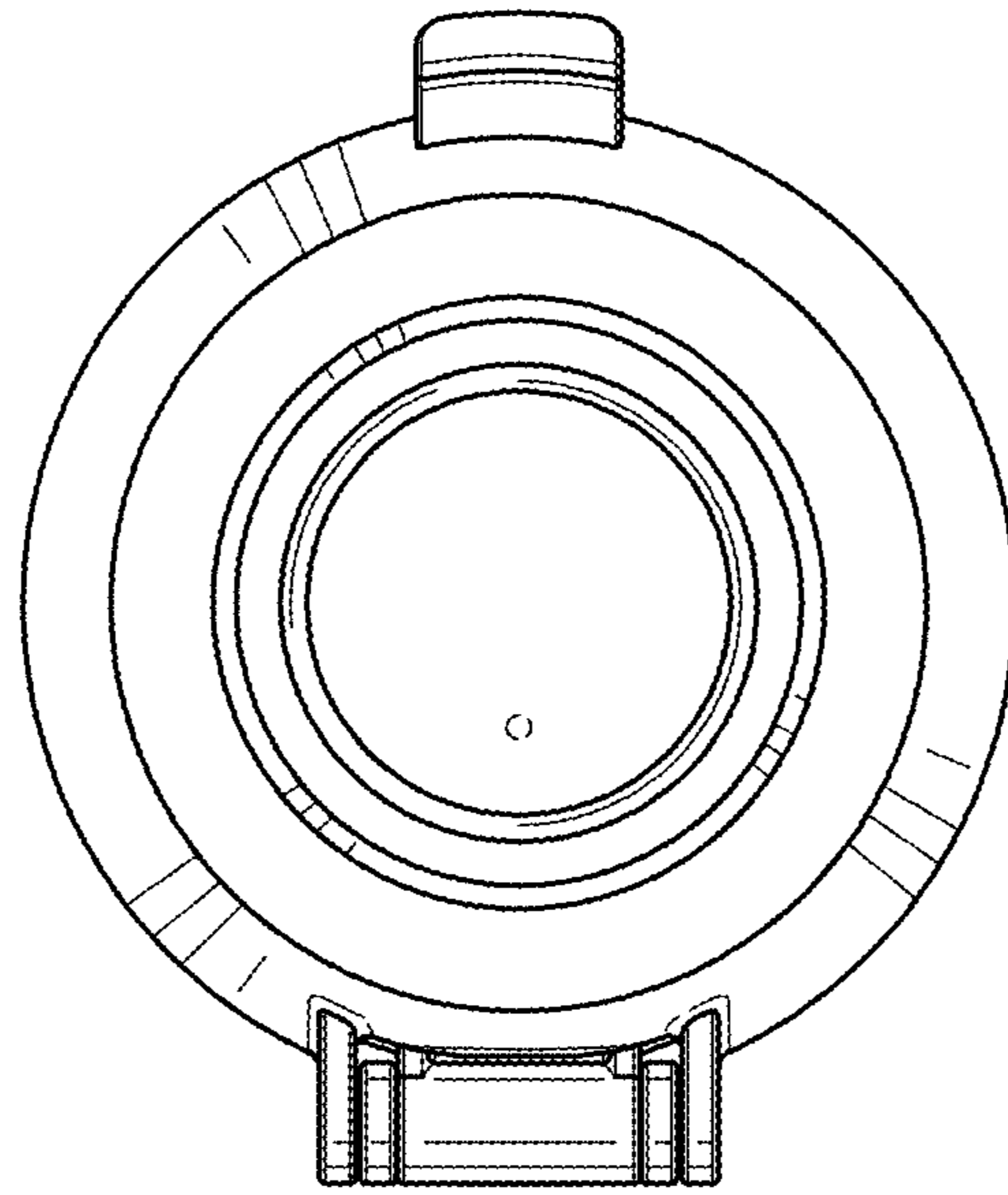


FIG. 7

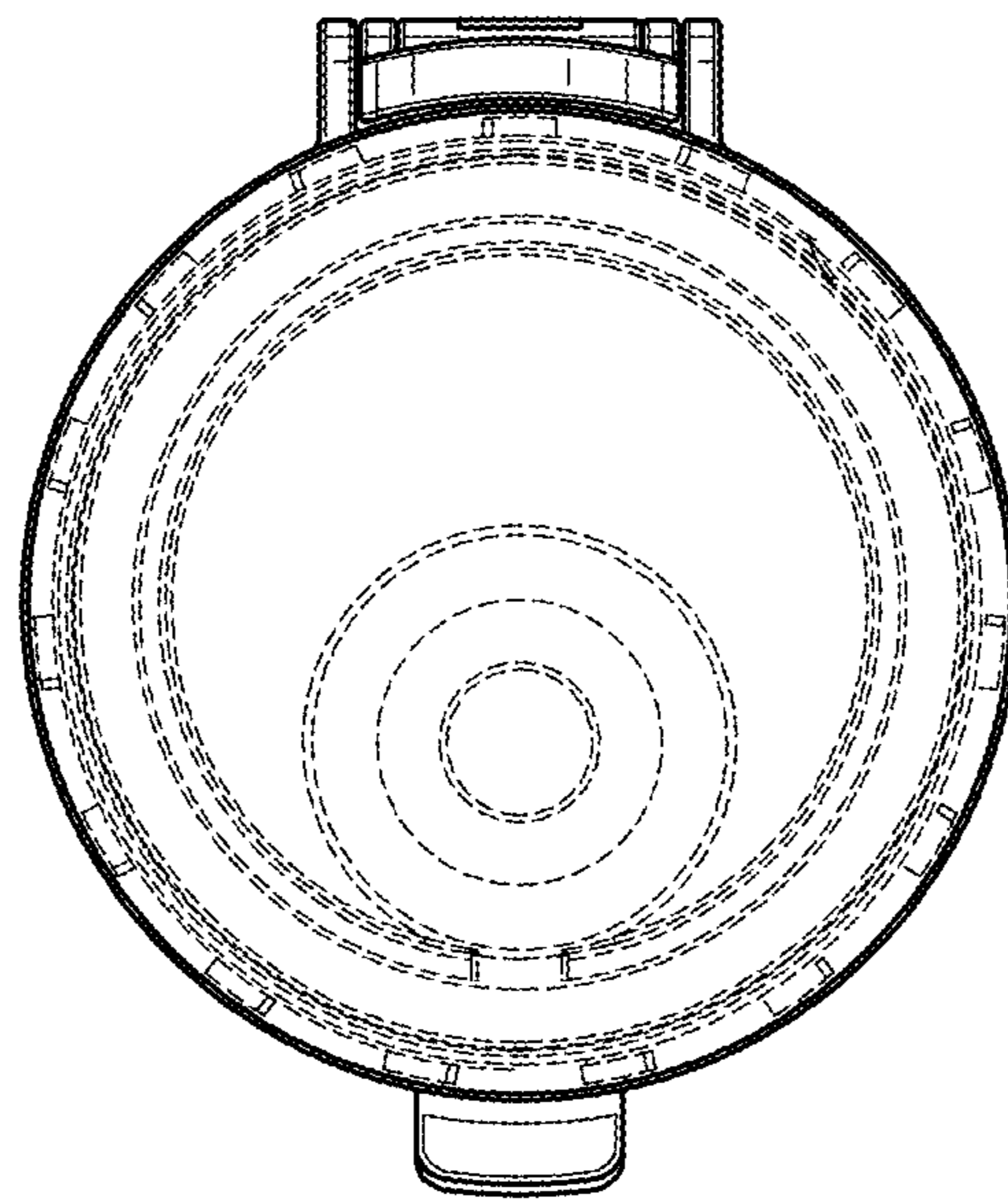


FIG. 8