



US00D821136S

(12) **United States Design Patent** (10) **Patent No.:** **US D821,136 S**
Silsby et al. (45) **Date of Patent:** **** Jun. 26, 2018**

(54) **BEVERAGE CONTAINER LID**
(71) Applicant: **Pacific Market International, LLC**,
Seattle, WA (US)
(72) Inventors: **Jacob D. Silsby**, Seattle, WA (US);
Evan Michael Choltco-Devlin,
Ellensburg, WA (US); **Michael Carl**
Beckman, Ellensburg, WA (US)
(73) Assignee: **Pacific Market International, LLC**,
Seattle, WA (US)
(**) Term: **15 Years**
(21) Appl. No.: **29/586,403**
(22) Filed: **Dec. 2, 2016**
(51) **LOC (11) Cl.** **07-01**
(52) **U.S. Cl.**
USPC **D7/392.1**
(58) **Field of Classification Search**
USPC D7/391, 392, 392.1, 396.1, 396.2, 397,
D7/509, 510, 543, 629; D9/435, 443,
D9/447, 449, 516
CPC B65D 2543/0092; B65D 47/122
See application file for complete search history.

2014/0332493 A1* 11/2014 Ramsey B65D 41/0485
215/305
2015/0225141 A1* 8/2015 Mackenzie B65D 47/0871
215/237
2016/0325892 A1* 11/2016 Yamaguchi B65D 47/0857

OTHER PUBLICATIONS

“The Best Travel Mug Today: Zojirushi”. Found online Mar. 13,
2017 at tested.com. Page dated Oct. 8, 2013. Retrieved from
<http://www.tested.com/food/458501-best-travel-mug-today/>.
“Thermos Intak Hydration Bottle”. Found online Sep. 8, 2015 at
amazon.co.uk. Page dated Apr. 11, 2010. Retrieved from https://www.amazon.co.uk/d/Hydration/Thermos-Intak-Hydration-Bottle-710-Midnight-Blue/B005DDVY72/ref=sr_1_4?ie=UTF8&qid=1498580747&sr=8-4.*

(Continued)

Primary Examiner — George D. Kirschbaum
Assistant Examiner — Kendra Leslie Hamilton
(74) *Attorney, Agent, or Firm* — George C. Rondeau, Jr.;
Davis Wright Tremaine LLP

(57) **CLAIM**

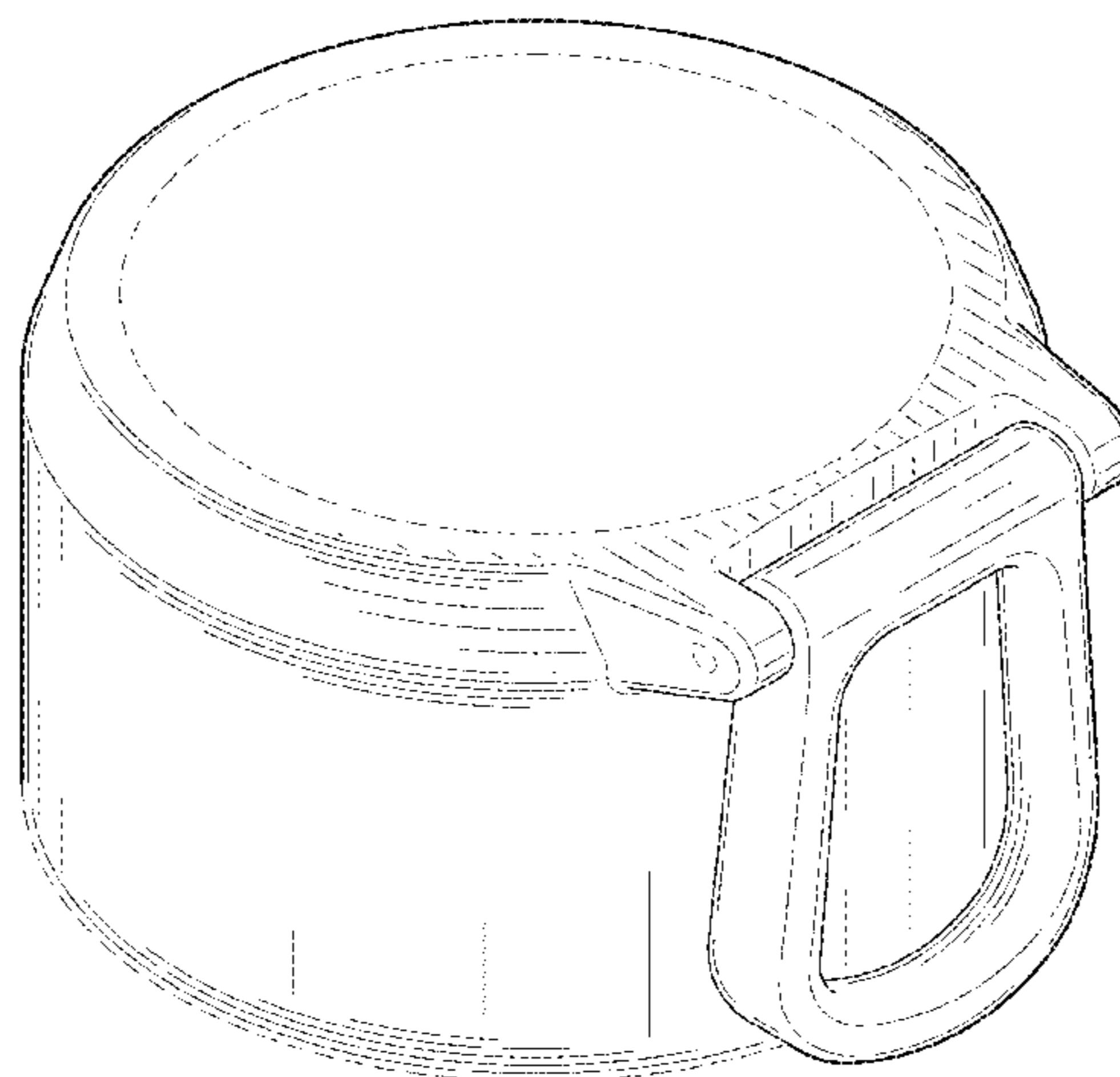
The ornamental design for a beverage container lid, as
shown and described.

DESCRIPTION

FIG. 1 is a top perspective view of a beverage container lid,
showing our new design;
FIG. 2 is a bottom perspective view thereof;
FIG. 3 is a right side elevation view thereof;
FIG. 4 is a rear elevational view thereof;
FIG. 5 is a left side elevational view thereof;
FIG. 6 is a front elevational view thereof;
FIG. 7 is a top plan view thereof; and,
FIG. 8 is a bottom plan view thereof.
The broken lines illustrate portions of the beverage container
lid that form no part of the claimed design.

1 Claim, 6 Drawing Sheets

(56) **References Cited**
U.S. PATENT DOCUMENTS
D675,059 S * 1/2013 Carreno D7/392.1
D675,865 S 2/2013 Wahl
D677,119 S * 3/2013 Ying D7/392.1
8,464,895 B2 6/2013 Gilbert et al.
D686,870 S * 7/2013 Young D7/392.1
D686,871 S * 7/2013 Lane D7/392.1
D741,655 S * 10/2015 Whelan D7/300.1
D747,136 S * 1/2016 Lane D7/396.2
D760,078 S * 6/2016 Shugar D9/436
D778,118 S * 2/2017 Du D7/608
D784,072 S * 4/2017 Baron D7/392.1
2009/0159552 A1* 6/2009 Cano-Pey B65D 47/0828
215/235



(56)

References Cited

OTHER PUBLICATIONS

“LifeSky Stainless Steel Insulated Travel Coffee Mug”. Found online Mar. 9, 2017 at amazon.com. Page dated Nov. 30, 2014. Retrieved from https://www.amazon.com/LifeSky-Stainless-Insulated-Travel-Champagne/dp/B00QDCPO78/ref=sr_1_9?ie=UTF8&qid=1488839640&sr=8-9&keywords=travel+mug.*

“Quiktop Airtight & Watertight Soda Can Lid”. Found online Jun. 21, 2017 at qvc.com. Page dated Apr. 10, 2007. Retrieved from http://www.qvc.com/Set-of-5-Quiktop-Airtight-%26-Watertight-Soda-Can-Lids.product.K3155.html.*

* cited by examiner

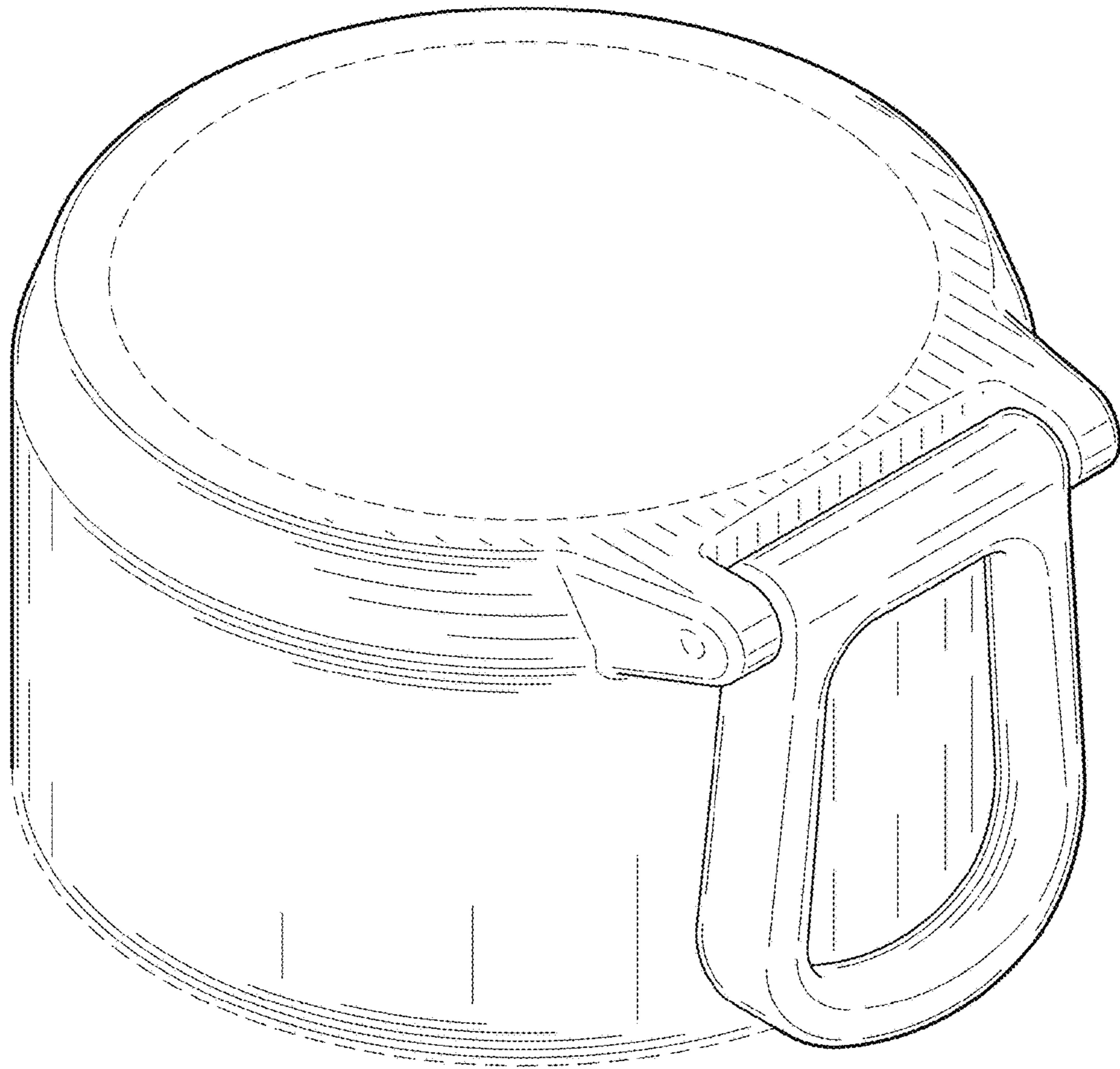


FIG. 1

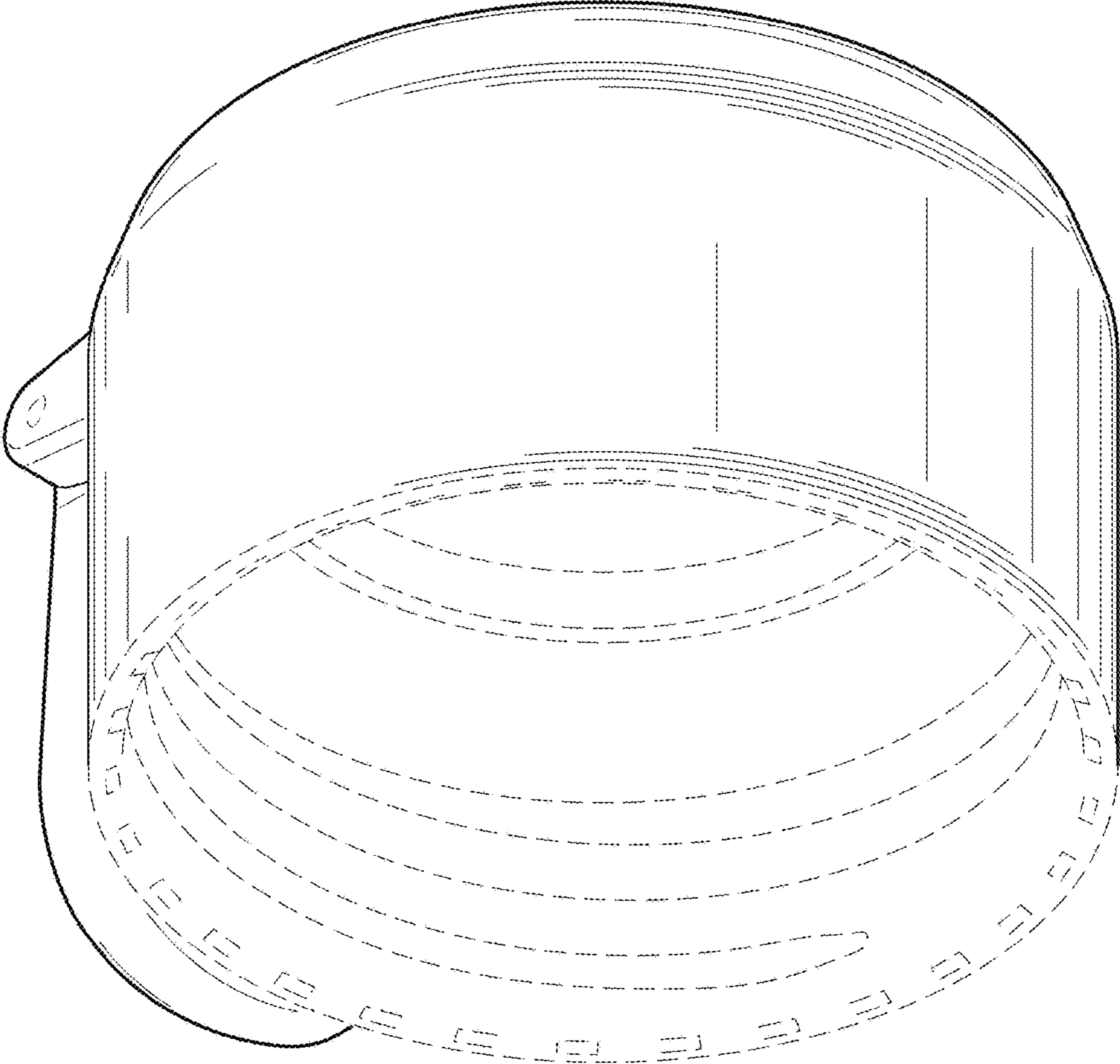


FIG. 2

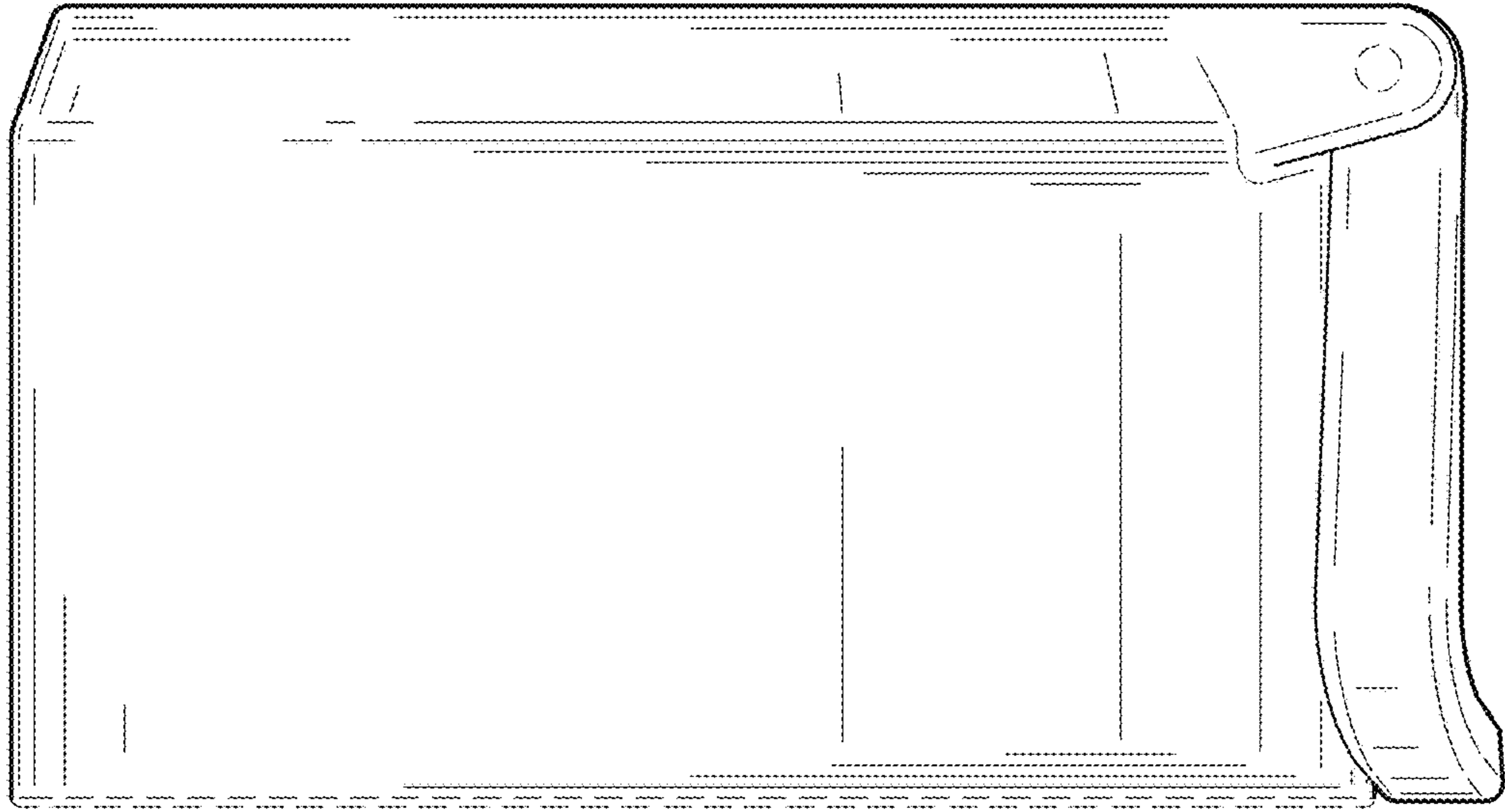


FIG. 3

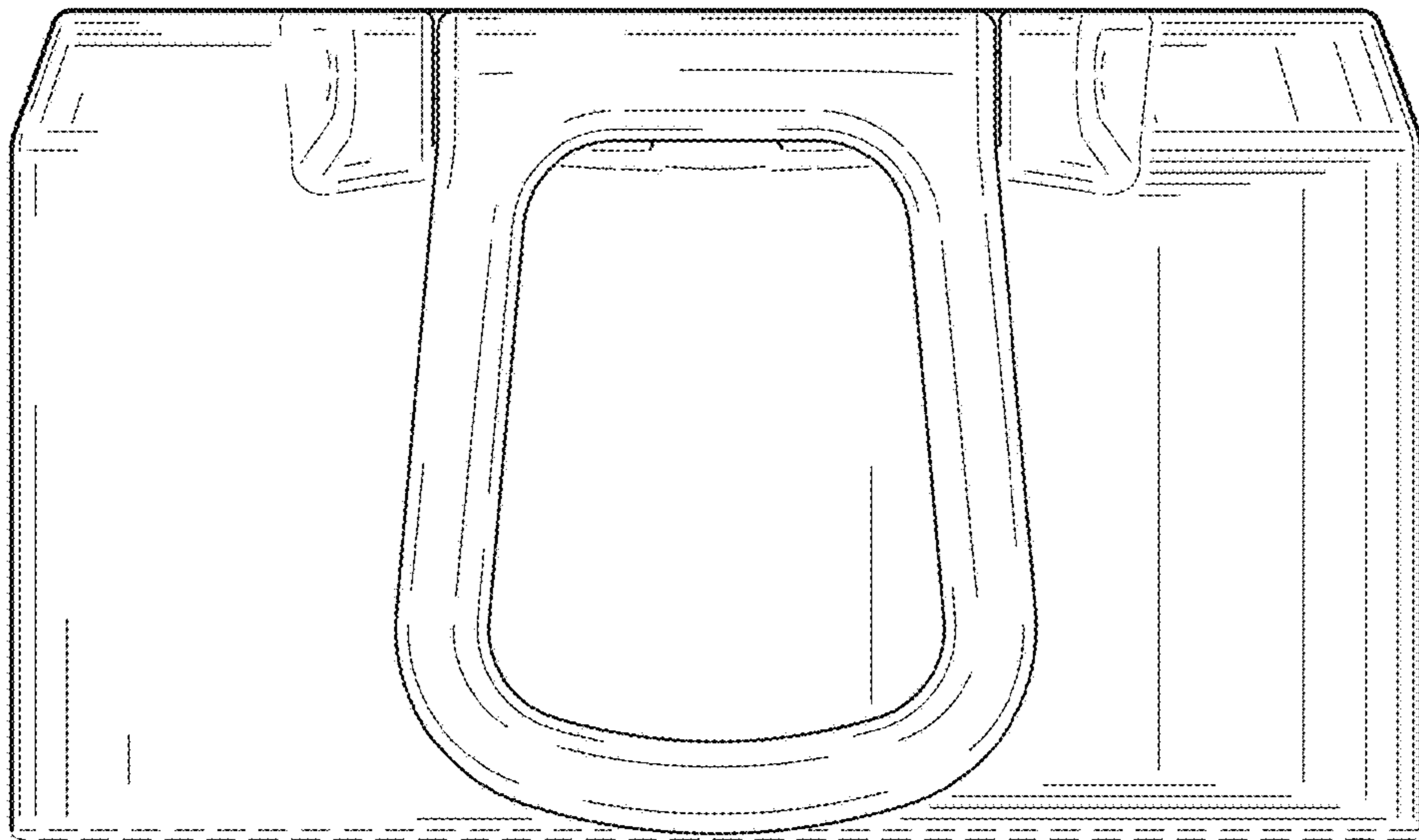


FIG. 4

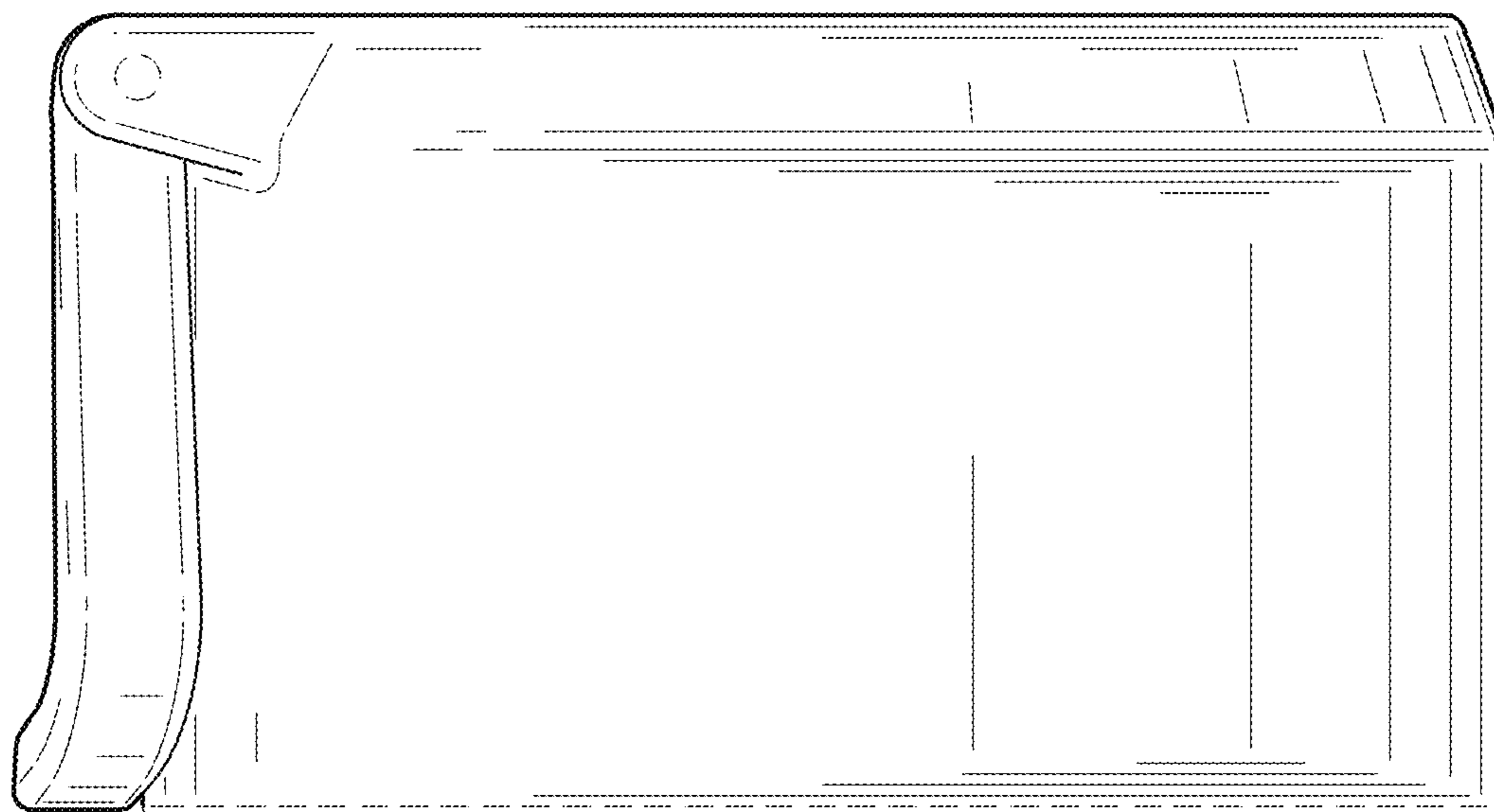


FIG. 5

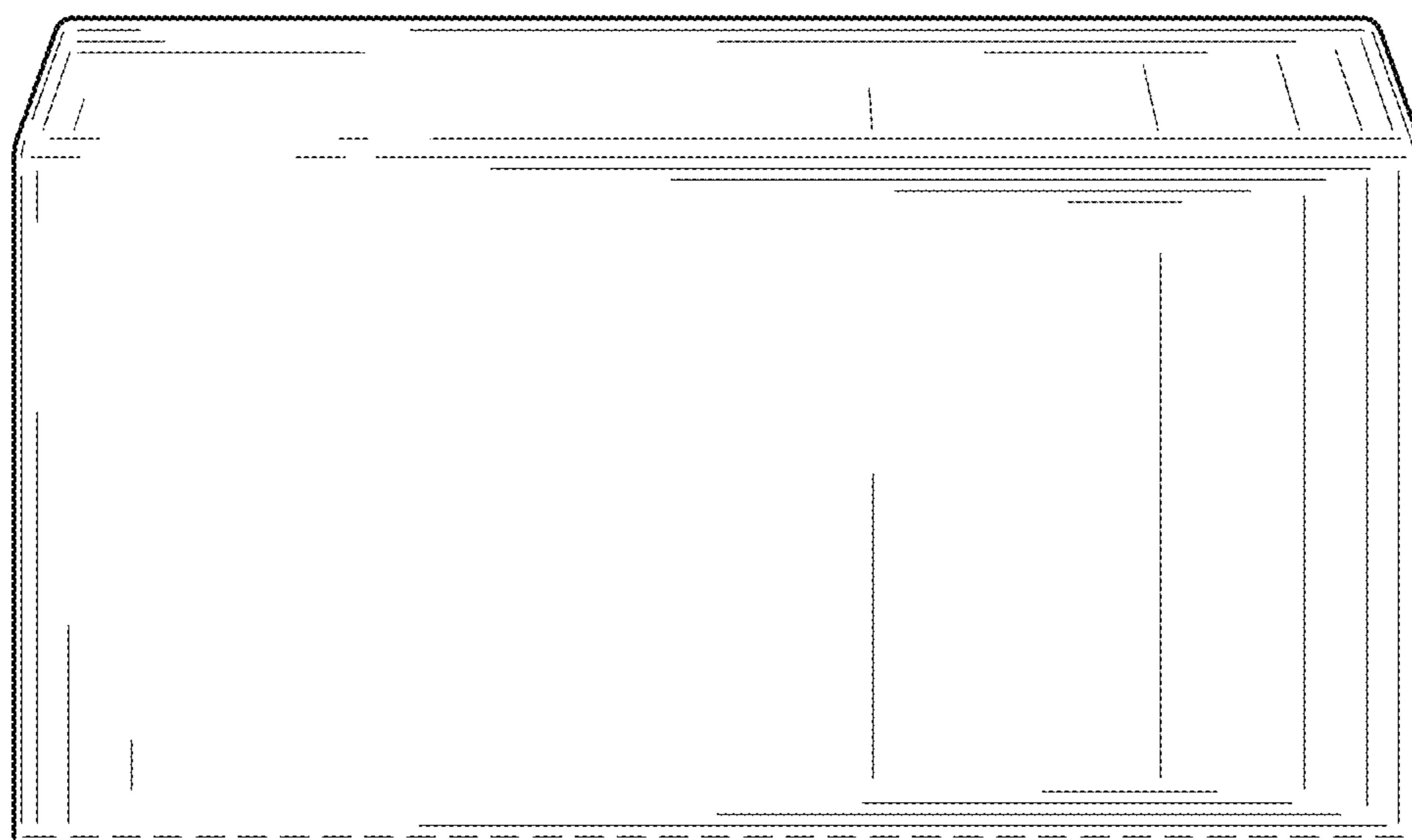


FIG. 6

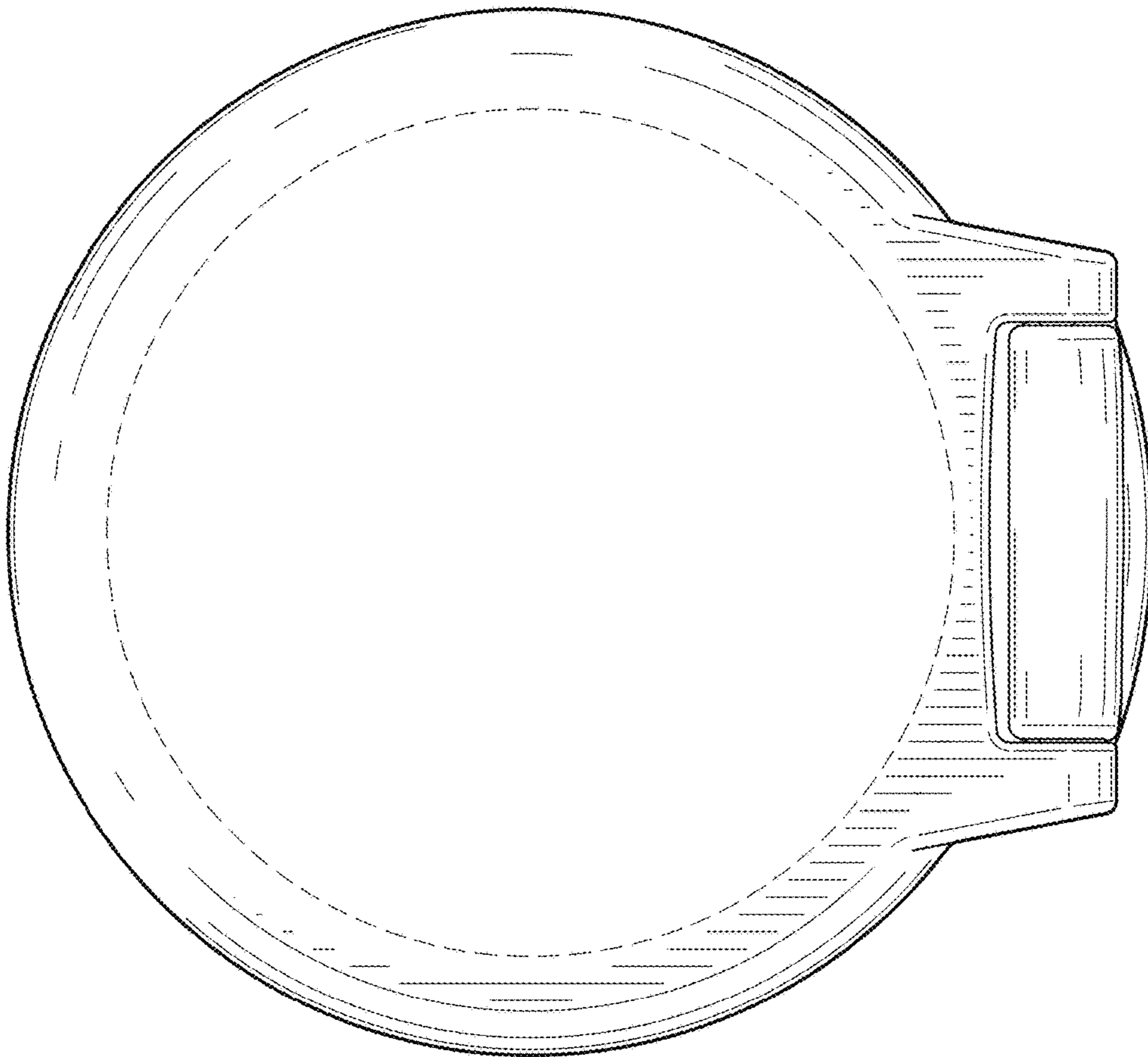


FIG. 7

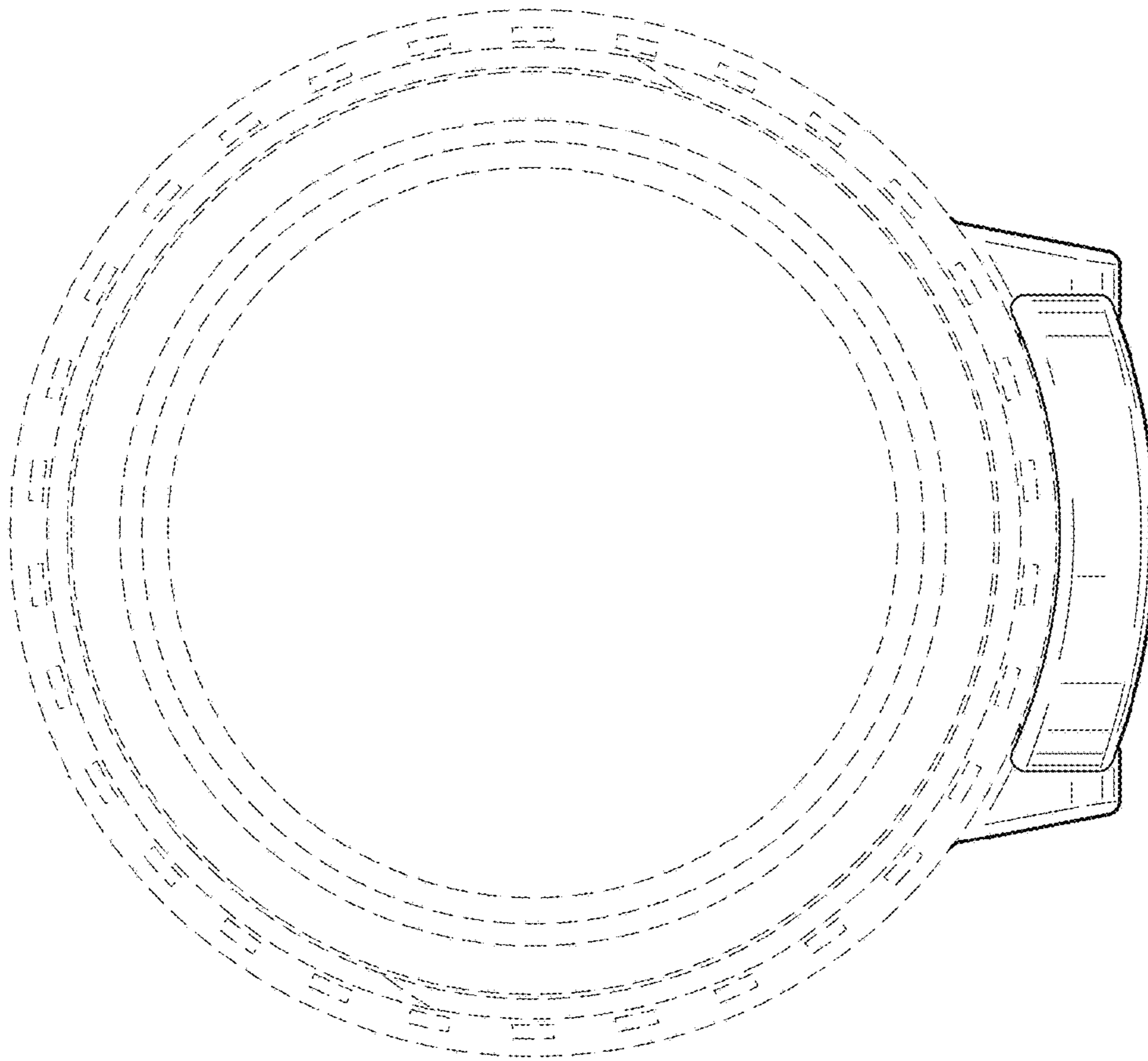


FIG. 8