



US00D821135S

(12) **United States Design Patent**
Rane et al.

(10) **Patent No.:** **US D821,135 S**
(45) **Date of Patent:** **** Jun. 26, 2018**

(54) **LID**

(71) Applicant: **YETI Coolers, LLC**, Austin, TX (US)

(72) Inventors: **Mark Rane**, Austin, TX (US); **Dustin Bullock**, Austin, TX (US); **Ian Cunningham**, Austin, TX (US)

(73) Assignee: **YETI Coolers, LLC**, Austin, TX (US)

(**) Term: **15 Years**

(21) Appl. No.: **29/587,381**

(22) Filed: **Dec. 13, 2016**

(51) **LOC (11) Cl.** **31-00**

(52) **U.S. Cl.**
USPC **D7/391**; D7/378; D7/412

(58) **Field of Classification Search**
USPC ... D7/372, 376–386, 391–392, 392.1, 396.2, D7/412–413, 510, 602, 629, 665–666, D7/669, 679, 693–694; D9/436, 443, 614
CPC A21C 1/02; A21C 1/04; A23N 1/00; A23N 1/02; A47G 19/2266; A47G 19/2272; A47J 43/04; A47J 43/25; A47J 43/27; A47J 43/042; A47J 43/044; A47J 43/046; A47J 43/075; A47J 43/0722; A47J 43/0727; B01F 3/00; B01F 3/0807; B01F 3/0853; B01F 13/0059; B01F 13/0064; B02C 1/08; B02C 2/04; B02C 4/42; B02C 4/142; B02C

(Continued)

(56) **References Cited**

U.S. PATENT DOCUMENTS

134,384 A 12/1872 King
154,198 A 6/1875 Barber
(Continued)

FOREIGN PATENT DOCUMENTS

CA 157772 6/2015
CA 159557 6/2015
(Continued)

OTHER PUBLICATIONS

Amazon. Glink—Straw Lid/Cap Hydro Flask Standard Mouth Sports Water Bottle with 2 Plastic Straws, Multi-Compatible with Standard Mouth Stainless Steel Water Bottles. Oct. 11, 2016 [earliest online date], [site visited Jul. 31, 2017]. Available from Internet, <URL:https://www.amazon.com/Giink-Standard-Piastic-Multi-Compatible-Stainless/dp/B01 MREDI8K>.

Primary Examiner — Ricky Pham

(74) *Attorney, Agent, or Firm* — Banner & Witcoff, Ltd.

(57) **CLAIM**

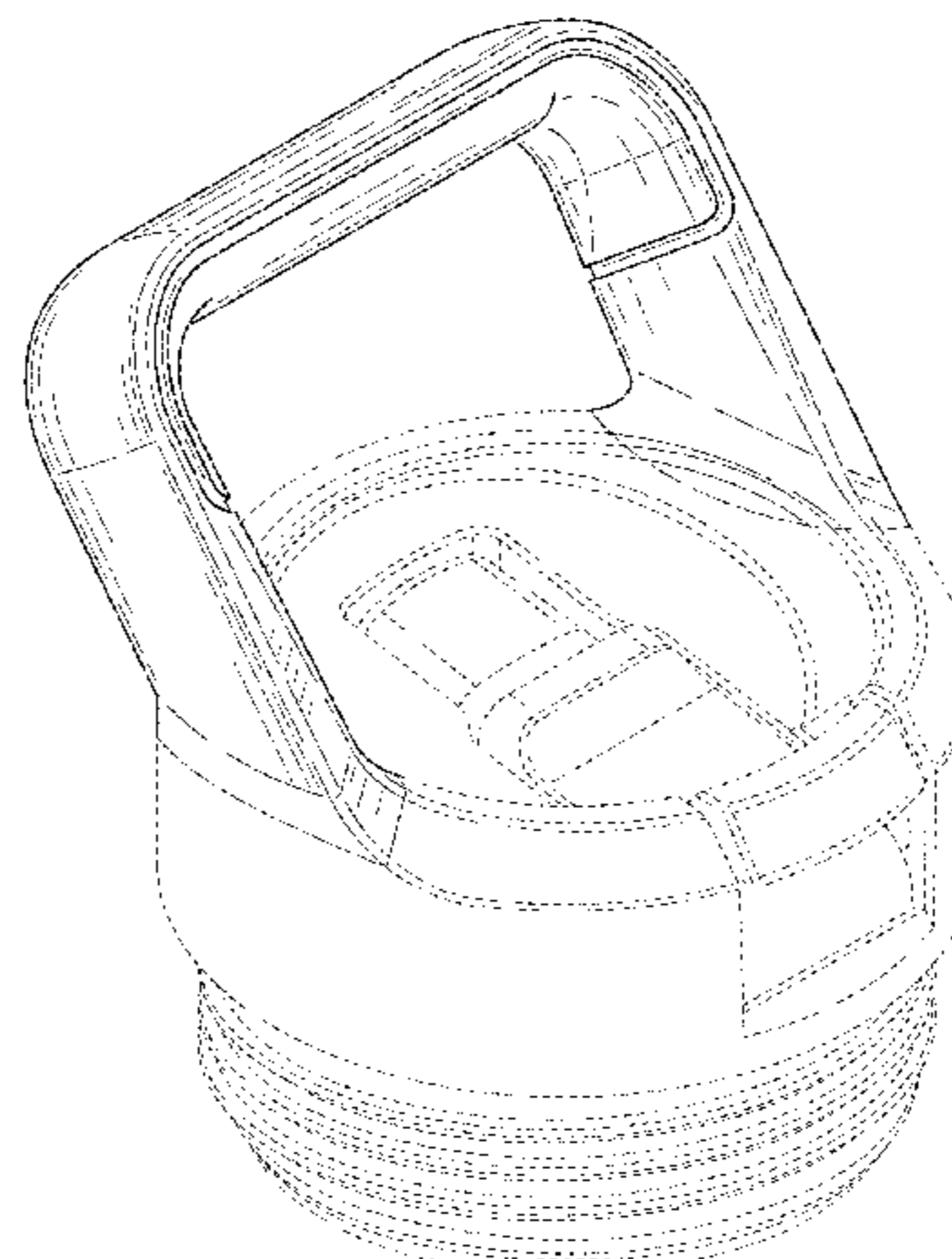
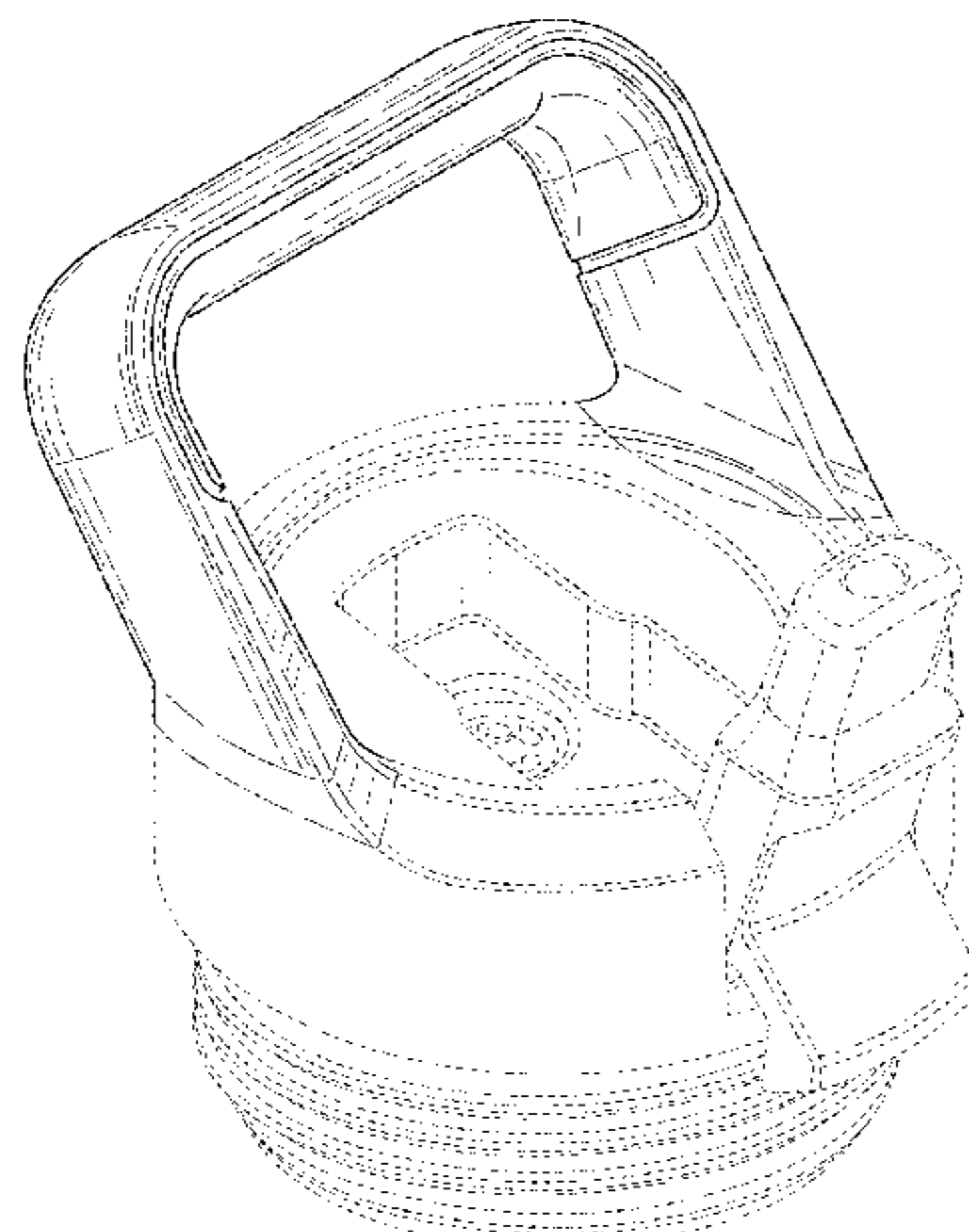
The ornamental design for a lid, as shown and described.

DESCRIPTION

FIG. 1 is a top, front, left perspective view of a lid showing our new design in an open position; FIG. 2 is a front view thereof; FIG. 3 is a rear view thereof; FIG. 4 is a right side view thereof; FIG. 5 is a left side view thereof; FIG. 6 is a top view thereof; FIG. 7 is a bottom view thereof; FIG. 8 is a top, front, left perspective view of a lid showing our new design in a closed position; FIG. 9 is a front view thereof; FIG. 10 is a rear view thereof; FIG. 11 is a right side view thereof; FIG. 12 is a left side view thereof; FIG. 13 is a top view thereof; and, FIG. 14 is a bottom view thereof.

The broken lines immediately adjacent to the shaded area represent unclaimed boundaries of the design. The broken lines showing the remainder of the lid are for environmental purposes only and form no part of the claimed design.

1 Claim, 13 Drawing Sheets



(58) **Field of Classification Search**
 CPC 4/143; B02C 4/423; B02C 13/1835; B28C
 5/10; B28C 5/12; B28C 5/14; B28C 5/16;
 B65D 47/065; B65D 47/066
 See application file for complete search history.

(56) **References Cited**

U.S. PATENT DOCUMENTS

573,212 A 12/1896 Friedman et al.
 1,372,115 A 3/1921 Bennis
 1,441,364 A 1/1923 Marshall
 2,717,726 A 9/1955 Mart
 2,727,658 A 12/1955 Mart
 2,828,895 A 4/1958 Mart
 2,839,227 A 6/1958 Burlinson
 2,883,091 A 4/1959 Barravecchia
 2,916,190 A 12/1959 Furn
 2,936,934 A 5/1960 Kubiliunas
 3,023,939 A 3/1962 Gustafson
 3,055,556 A 9/1962 Hester
 3,089,626 A 5/1963 Kubiliunas
 3,163,337 A 12/1964 Wilson
 3,181,743 A 5/1965 Wesley
 3,251,516 A 5/1966 Thomas
 3,318,494 A 5/1967 Mathison
 RE26,318 E 12/1967 Wilson
 3,477,618 A 11/1969 Hazard
 3,495,745 A 2/1970 Akers
 3,502,248 A 3/1970 Libit
 3,653,546 A 4/1972 Hazard
 3,655,099 A 4/1972 Hazard
 3,655,103 A 4/1972 Hazard
 3,718,238 A 2/1973 Hazard et al.
 3,776,428 A 12/1973 Hazard
 3,782,577 A 1/1974 Levey
 3,786,964 A 1/1974 Landen
 3,863,818 A 2/1975 Hazard
 3,873,005 A 3/1975 Hazard
 3,881,643 A 5/1975 LaVange
 3,957,181 A 5/1976 Hazard
 4,015,756 A 4/1977 Beck
 4,081,113 A 3/1978 Hazard
 4,282,991 A 8/1981 Hazard
 4,440,327 A 4/1984 Dark
 4,674,661 A 6/1987 Herold
 4,756,451 A 7/1988 Wilson
 4,903,870 A 2/1990 La Vange
 5,085,336 A 2/1992 Lynd
 5,203,468 A 4/1993 Hsu
 5,242,079 A 9/1993 Stephens et al.
 5,259,538 A 11/1993 Tardif
 5,273,172 A 12/1993 Rossbach et al.
 D351,761 S 10/1994 Feer
 5,392,968 A 2/1995 Dark
 5,477,994 A 12/1995 Feer et al.
 D366,809 S 2/1996 Green
 D367,206 S 2/1996 Green
 D370,828 S 6/1996 Green
 D371,048 S 6/1996 Green
 D387,621 S 12/1997 Sullivan et al.
 D396,380 S 7/1998 Lai et al.
 5,797,521 A 8/1998 Sobral
 5,873,478 A 2/1999 Sullivan et al.
 5,884,793 A 3/1999 Wang
 D408,220 S 4/1999 Chomik
 5,961,010 A 10/1999 Smith
 6,050,433 A 4/2000 Russell et al.
 6,119,898 A 9/2000 Dark
 6,161,728 A 12/2000 Dark
 D447,004 S 8/2001 Green
 6,390,341 B1 5/2002 Ohmi et al.
 6,523,711 B1 2/2003 Hughes et al.
 6,609,624 B2 8/2003 Goto et al.
 6,619,518 B1 9/2003 Lee
 6,662,972 B2 12/2003 Chu
 D489,225 S 5/2004 Leinenweber

6,796,464 B1 9/2004 Tung
 7,059,490 B2 6/2006 Son
 D524,909 S 7/2006 Bakke et al.
 7,124,917 B2 10/2006 Lee
 7,152,767 B2 12/2006 Seelhofer
 D547,607 S * 7/2007 Forsman D7/396.2
 7,516,862 B2 4/2009 McDonough
 D592,905 S 5/2009 Pinelli et al.
 D592,913 S 5/2009 Pinelli et al.
 7,533,783 B2 5/2009 Choi et al.
 D620,754 S 8/2010 Duke
 7,766,057 B2 8/2010 Windmiller
 D626,837 S 11/2010 Meyers et al.
 D626,838 S 11/2010 Meyers et al.
 D632,176 S 2/2011 McKinney et al.
 7,913,869 B2 3/2011 Cuocolo, Jr.
 D638,658 S 5/2011 Station
 D649,879 S 12/2011 Gullickson et al.
 D651,847 S 1/2012 Gilbert
 D652,256 S 1/2012 Eyal
 D653,081 S 1/2012 George
 8,191,727 B2 6/2012 Davies et al.
 D668,116 S 10/2012 Eyal
 D669,310 S 10/2012 Barreto et al.
 D669,732 S * 10/2012 Hopkins D7/392.1
 D672,609 S 12/2012 Aziz et al.
 8,376,162 B2 2/2013 Yang
 8,376,173 B2 2/2013 Britto et al.
 D679,541 S 4/2013 Samartgis
 8,408,414 B2 4/2013 Roth et al.
 D682,034 S * 5/2013 El-Saden D7/510
 D683,581 S 6/2013 Archer
 8,469,226 B2 * 6/2013 Davies A47G 19/2266
 215/387
 D685,606 S 7/2013 Keys et al.
 D688,093 S 8/2013 Roth et al.
 8,550,269 B2 10/2013 Lane
 8,602,238 B2 12/2013 El-Saden et al.
 D700,012 S 2/2014 Hurley et al.
 D700,014 S 2/2014 Zeanah
 8,662,359 B1 3/2014 Hickey
 8,672,155 B2 3/2014 Knierbein et al.
 8,672,174 B1 3/2014 McMullin
 D701,727 S 4/2014 Gilbert
 8,689,989 B2 4/2014 Lane
 8,695,830 B2 4/2014 Meyers et al.
 D704,986 S 5/2014 Manies
 D707,124 S 6/2014 Blain et al.
 D712,254 S 9/2014 Geis et al.
 D712,255 S 9/2014 Geis et al.
 8,827,099 B2 9/2014 Joy et al.
 8,839,974 B2 9/2014 Brandenburger et al.
 8,844,746 B2 9/2014 Meyers et al.
 D716,657 S 11/2014 Caneer
 D717,103 S 11/2014 Wilbur
 D719,444 S 12/2014 Sullivan
 D719,780 S * 12/2014 Sullivan D7/392.1
 D720,218 S 12/2014 Hutson et al.
 D721,276 S 1/2015 Herbst
 8,939,305 B2 1/2015 Meyers et al.
 D723,332 S 3/2015 Steel
 D724,384 S 3/2015 Donovan et al.
 9,010,952 B2 4/2015 Lenahan et al.
 D729,569 S * 5/2015 Herbst D7/392
 D730,694 S 6/2015 Elsaden et al.
 D732,892 S 6/2015 Keys et al.
 D734,151 S 7/2015 Herbst
 9,079,205 B2 7/2015 Hoskins
 9,113,698 B2 8/2015 Blain et al.
 D739,174 S 9/2015 Elsaden et al.
 D742,174 S 11/2015 Roth et al.
 D742,230 S 11/2015 Charles
 9,216,843 B2 12/2015 Sorensen et al.
 9,221,585 B1 12/2015 Wang
 D747,924 S 1/2016 Roth et al.
 D748,429 S 2/2016 Lv
 D748,943 S 2/2016 Miller et al.
 D750,428 S 3/2016 Keys et al.
 9,272,822 B2 3/2016 Samartgis

(56)

References Cited

U.S. PATENT DOCUMENTS

D752,916 S 4/2016 Goodwin et al.
 9,320,375 B2 4/2016 Sweeney et al.
 9,324,387 B2 4/2016 Kim
 D756,702 S 5/2016 Joseph et al.
 D758,127 S 6/2016 Zhao
 D760,080 S 6/2016 Gorbald
 D760,586 S 7/2016 Seiders et al.
 9,380,898 B2 7/2016 Mason
 9,392,893 B2 7/2016 Sorensen et al.
 D763,688 S 8/2016 Breit et al.
 D767,336 S 9/2016 Waggoner et al.
 D767,337 S 9/2016 Boroski et al.
 9,439,524 B2 9/2016 Liang
 D777,508 S 1/2017 Goodwin et al.
 D780,577 S 3/2017 Seiders et al.
 D781,145 S 3/2017 Seiders et al.
 D781,146 S 3/2017 Seiders et al.
 D781,640 S 3/2017 Roth et al.
 D786,671 S 5/2017 Khetarpaul et al.
 D790,285 S 6/2017 Seiders et al.
 D791,532 S 7/2017 Yao
 D792,216 S 7/2017 Breit et al.
 9,708,107 B2* 7/2017 El-Saden B65D 47/065
 9,782,028 B2* 10/2017 Davies A47G 19/2266
 9,802,363 B2 10/2017 Denda et al.
 9,807,633 B2 10/2017 Narasimha et al.
 D802,366 S* 11/2017 Cerasani D7/510
 9,820,595 B2* 11/2017 Davies A47G 19/2272
 2005/0150916 A1 7/2005 De Laforcade
 2007/0039959 A1* 2/2007 Choi A47G 19/2266
 2008/0128418 A1 6/2008 Ahn
 2008/0272122 A1 11/2008 Son
 2009/0026218 A1 1/2009 Wong
 2009/0120946 A1 5/2009 Hung
 2010/0193462 A1 8/2010 Roth et al.
 2012/0129127 A1 5/2012 Boehm et al.
 2012/0181277 A1 7/2012 Wang-Wu
 2012/0187075 A1* 7/2012 El-Saden B65D 47/066
 2012/0305559 A1 12/2012 Steininger
 2013/0140316 A1 6/2013 Flowers et al.
 2014/0353275 A1 12/2014 Hung
 2015/0001257 A1 1/2015 Sell
 2015/0069079 A1 3/2015 Son

2015/0173539 A1* 6/2015 Mason A47G 19/2272
 220/707

2015/0353259 A1 12/2015 Burden
 2016/0207672 A1 7/2016 Wong
 2017/0283132 A1 10/2017 Sorensen et al.

FOREIGN PATENT DOCUMENTS

CA 162963 1/2016
 CN 301899162 5/2012
 CN 302872285 7/2014
 CN 302872286 7/2014
 CN 303028240 12/2014
 CN 303081221 1/2015
 CN 303213763 5/2015
 CN 303344745 8/2015
 CN 303346260 8/2015
 CN 303407421 10/2015
 CN 303435461 11/2015
 CN 303528488 12/2015
 CN 303602375 3/2016
 CN 303639541 4/2016
 CN 303688752 6/2016
 CN 303688753 6/2016
 CN 303697502 6/2016
 CN 303708071 6/2016
 CN 303716155 6/2016
 CN 303734775 7/2016
 CN 303822788 8/2016
 DE 402015001125-0001 3/2016
 EM 001981911-0001 1/2012
 EM 001981911-0002 1/2012
 EM 001981911-0003 1/2012
 EM 001981911-0004 1/2012
 EM 002491571-0001 8/2014
 EM 003163369-0007 6/2016
 EM 003163369-0012 6/2016
 EM 003125830-0001 7/2016
 EM 003125830-0003 7/2016
 EM 003125830-0004 7/2016
 EM 003298629-0002 9/2016
 GB 2045987 7/1995
 JP D1525152 6/2015
 KR 3008064250001 7/2015
 MX 0342045-0001 8/2014
 MX 043759-0001 5/2015

* cited by examiner



FIG. 1

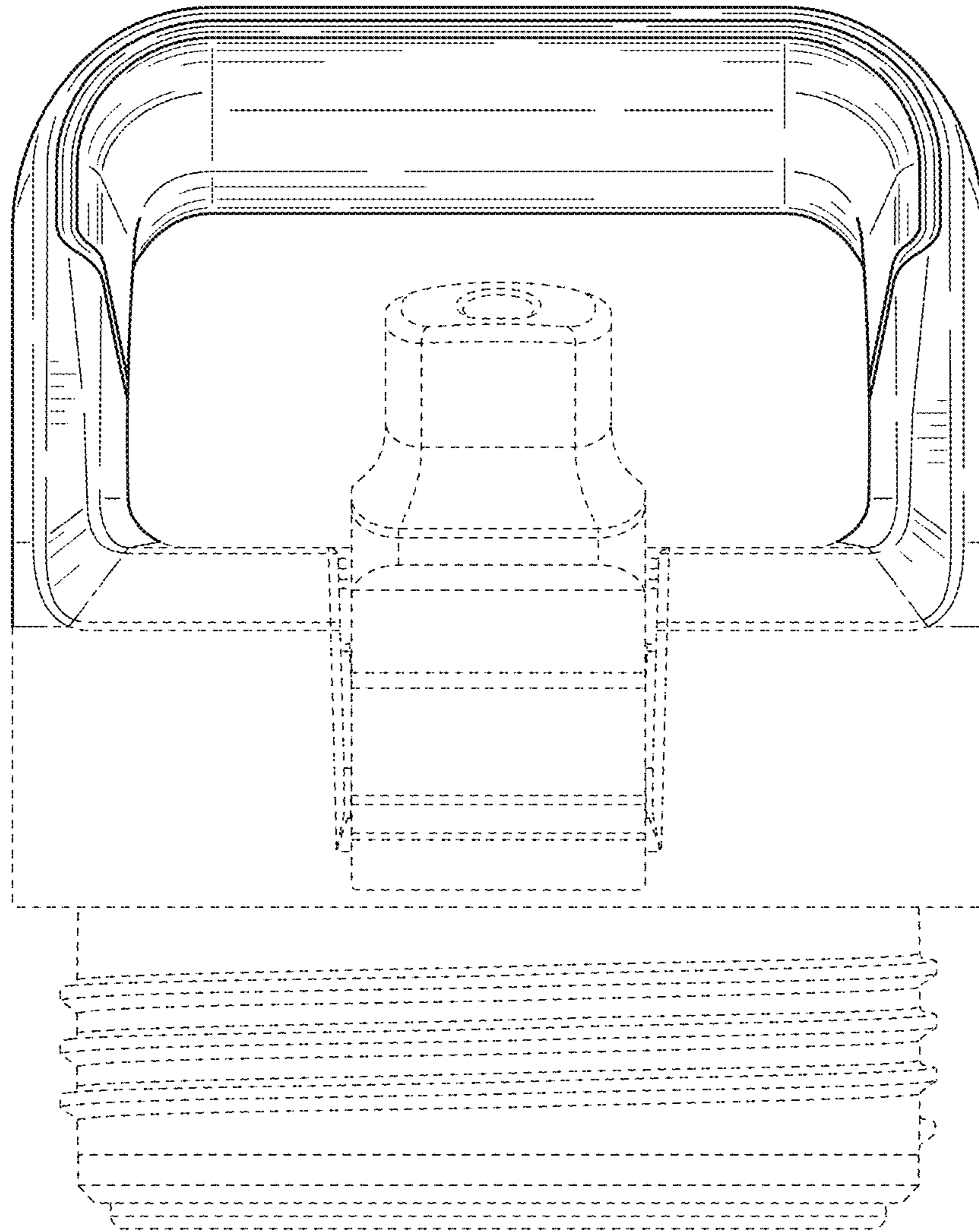


FIG. 2

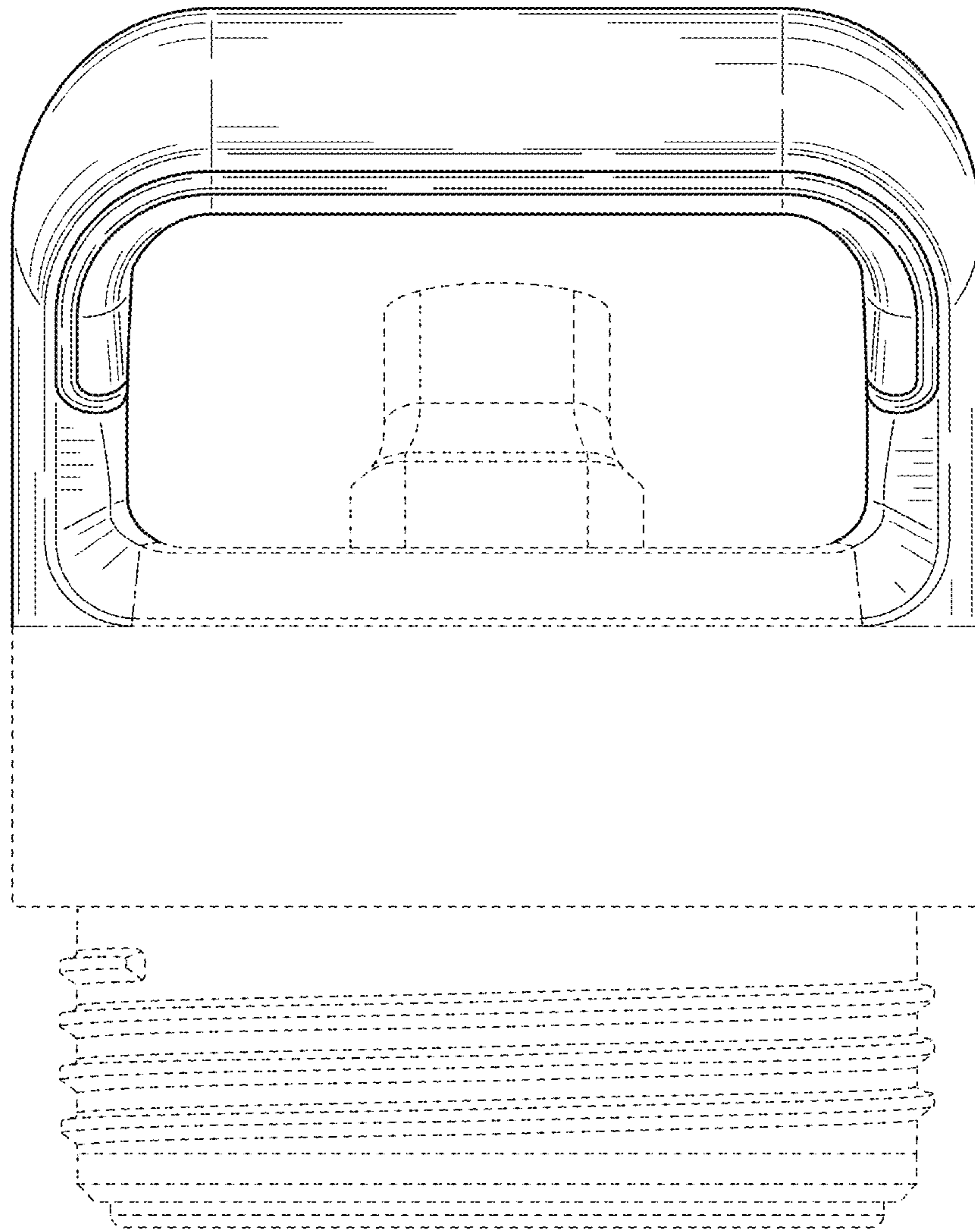


FIG. 3

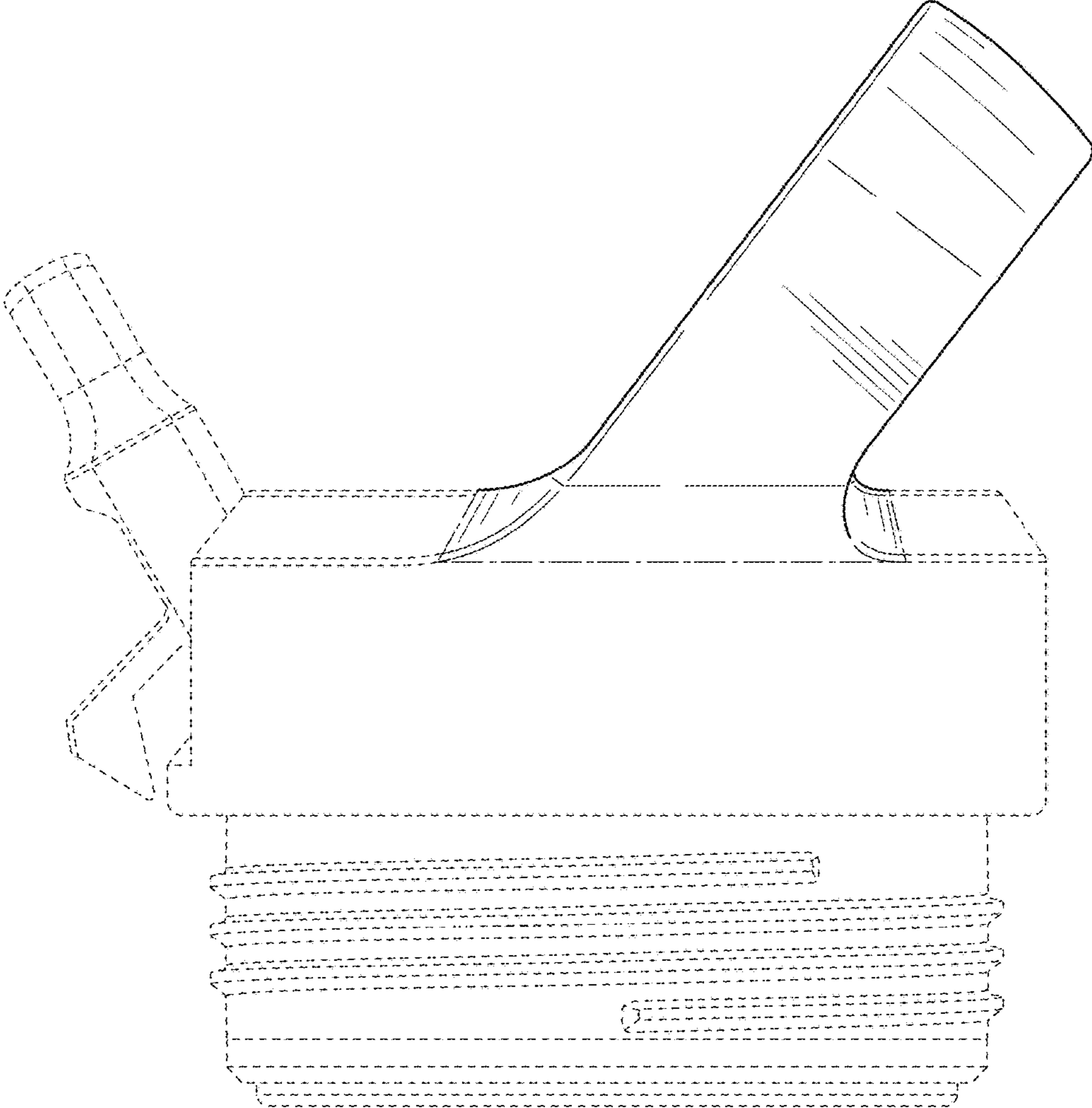


FIG. 4

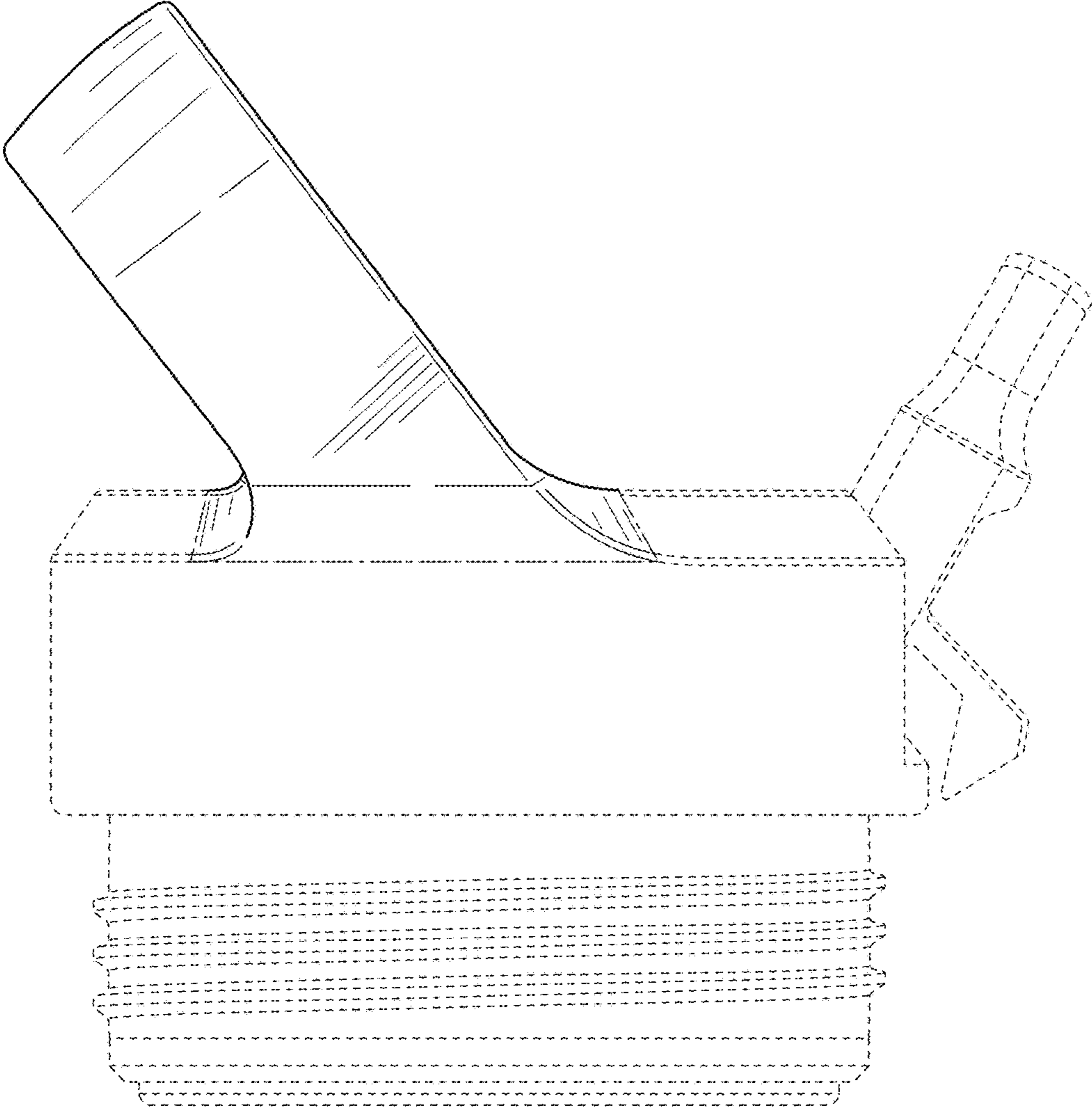


FIG. 5

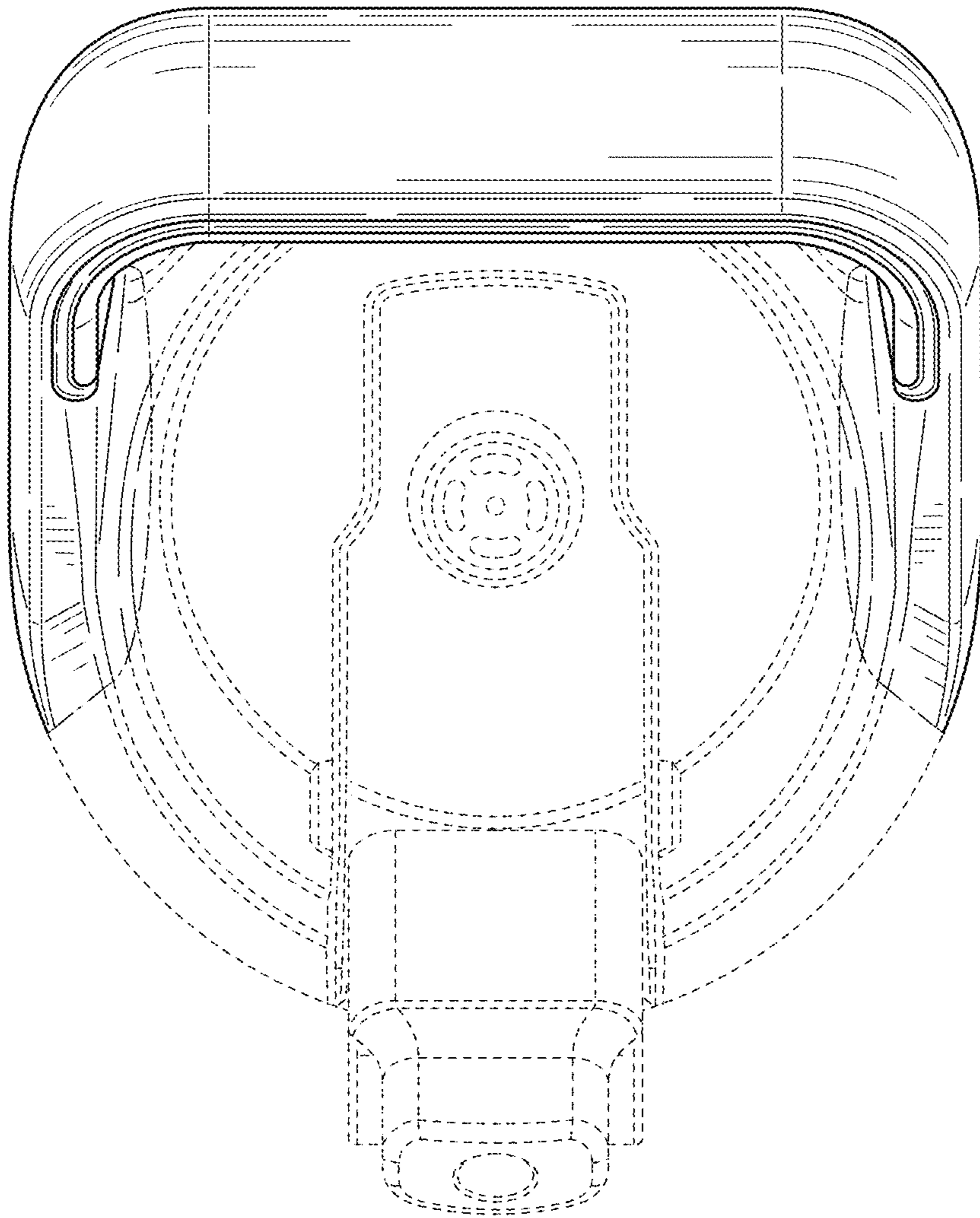


FIG. 6

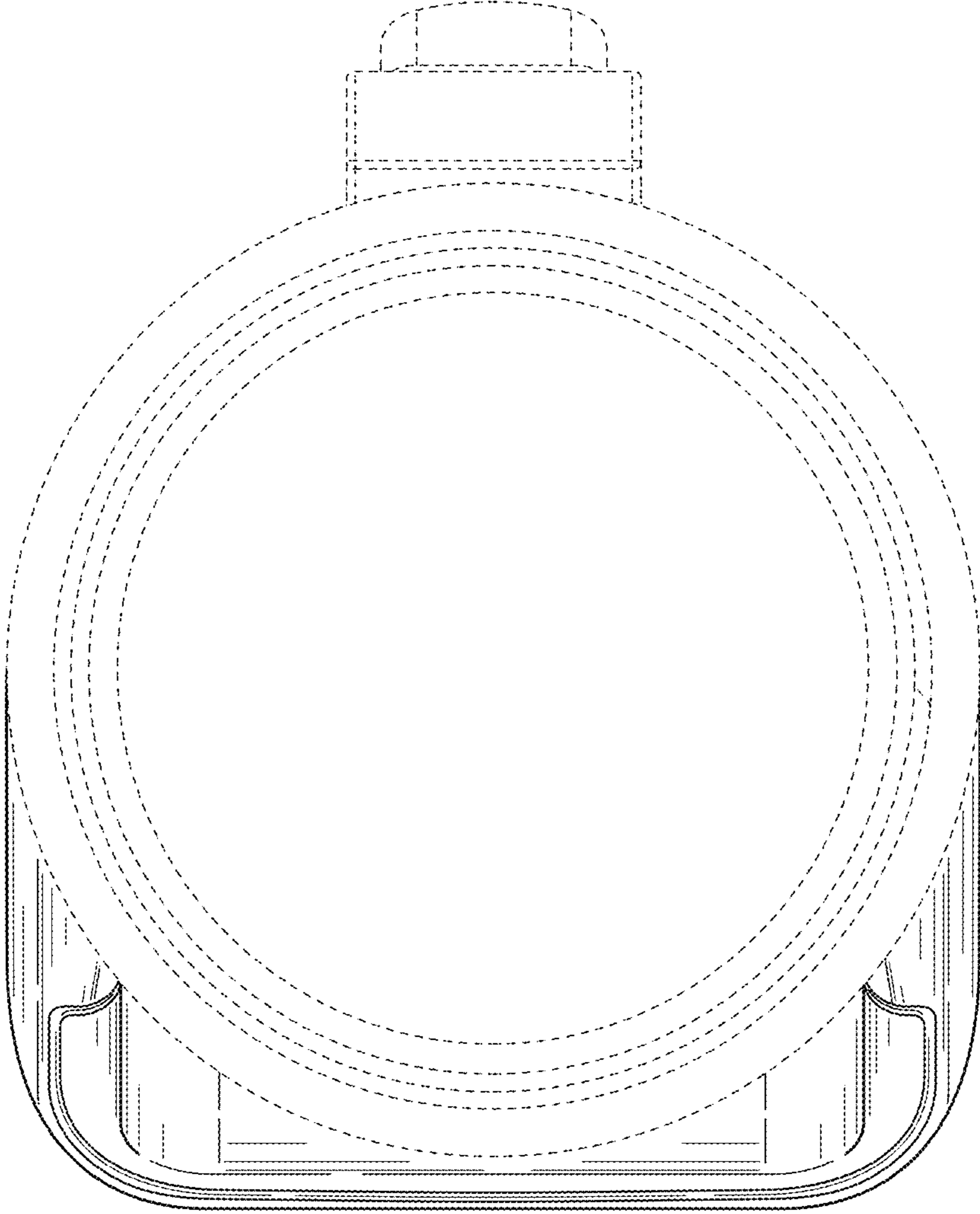


FIG. 7

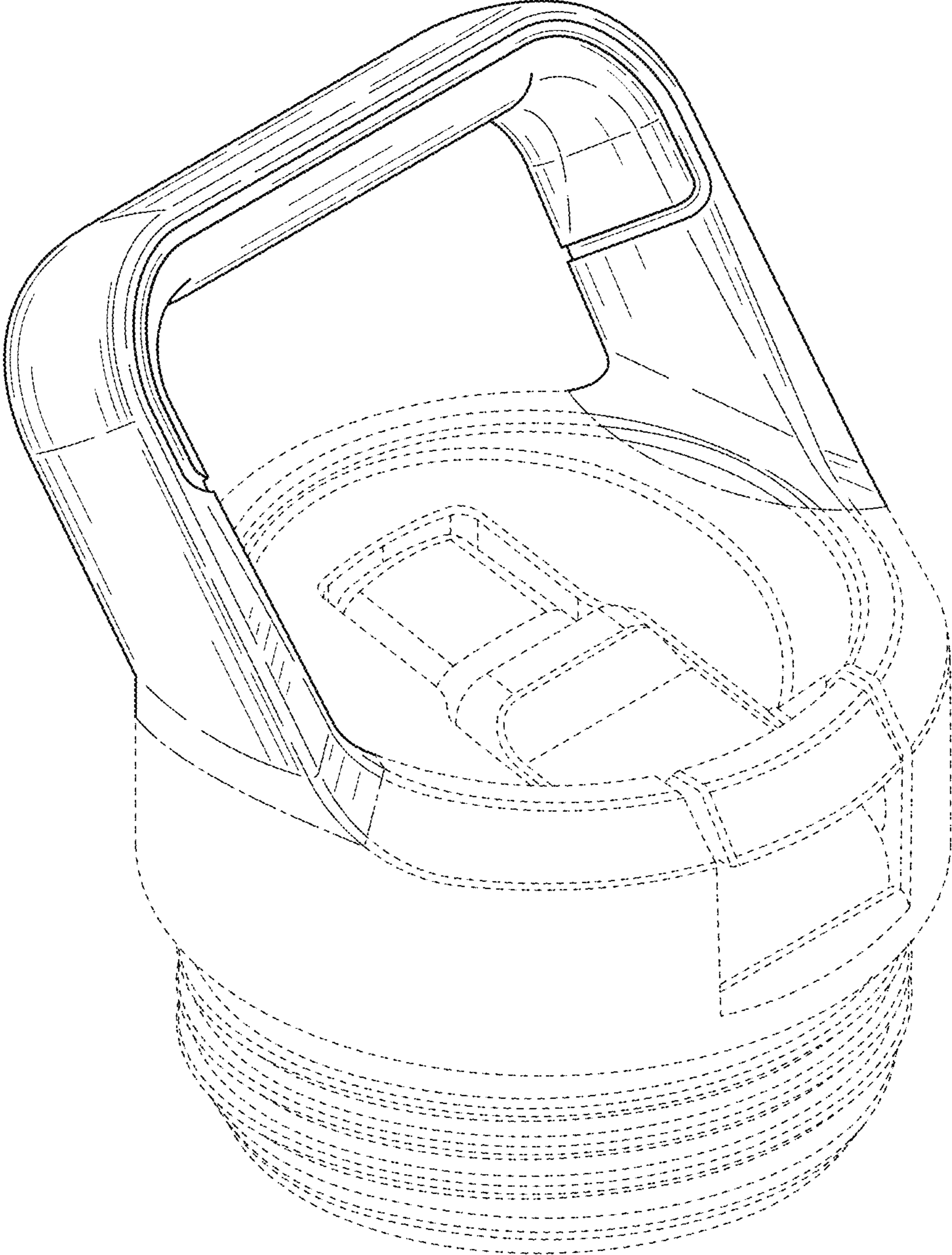


FIG. 8

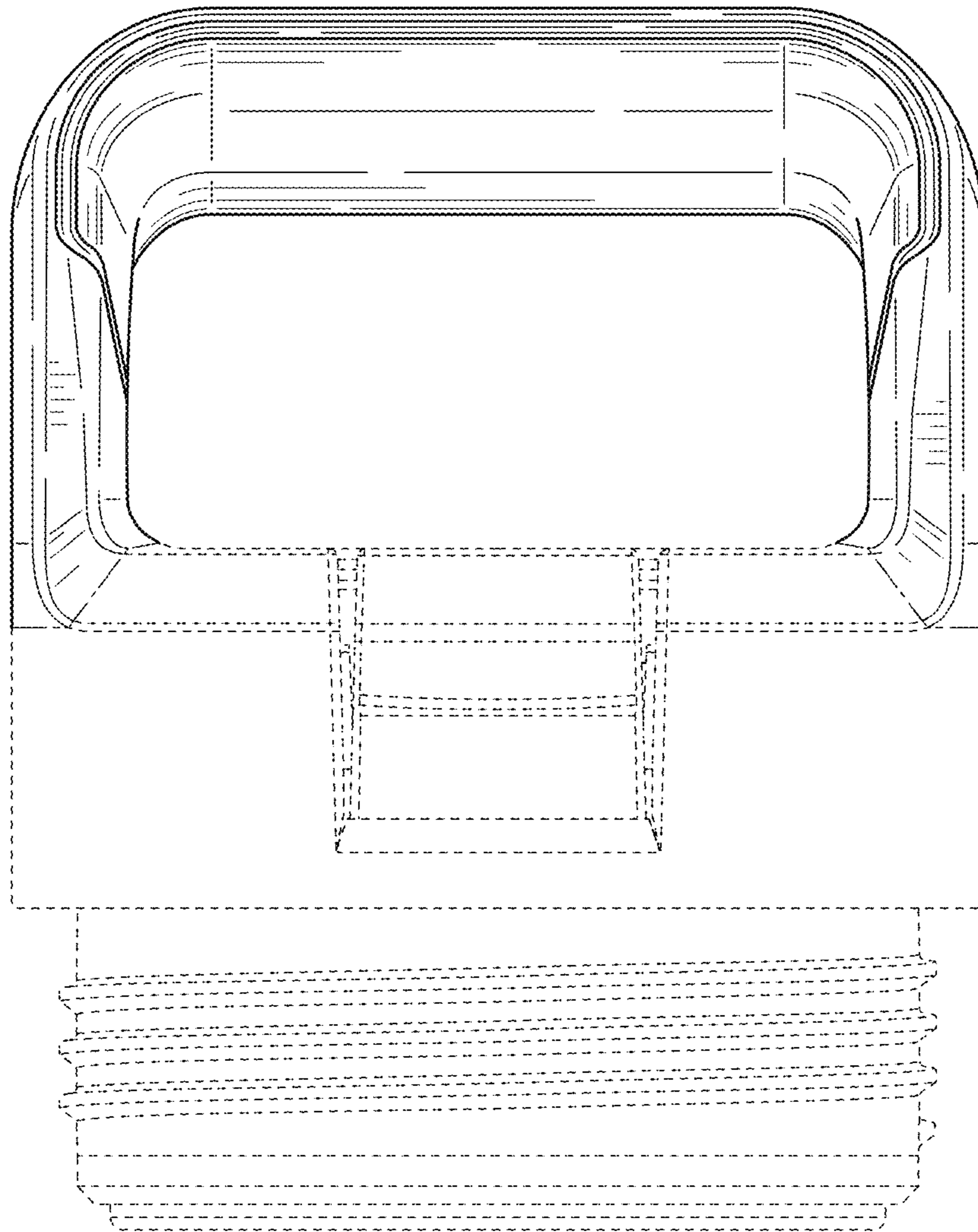


FIG. 9

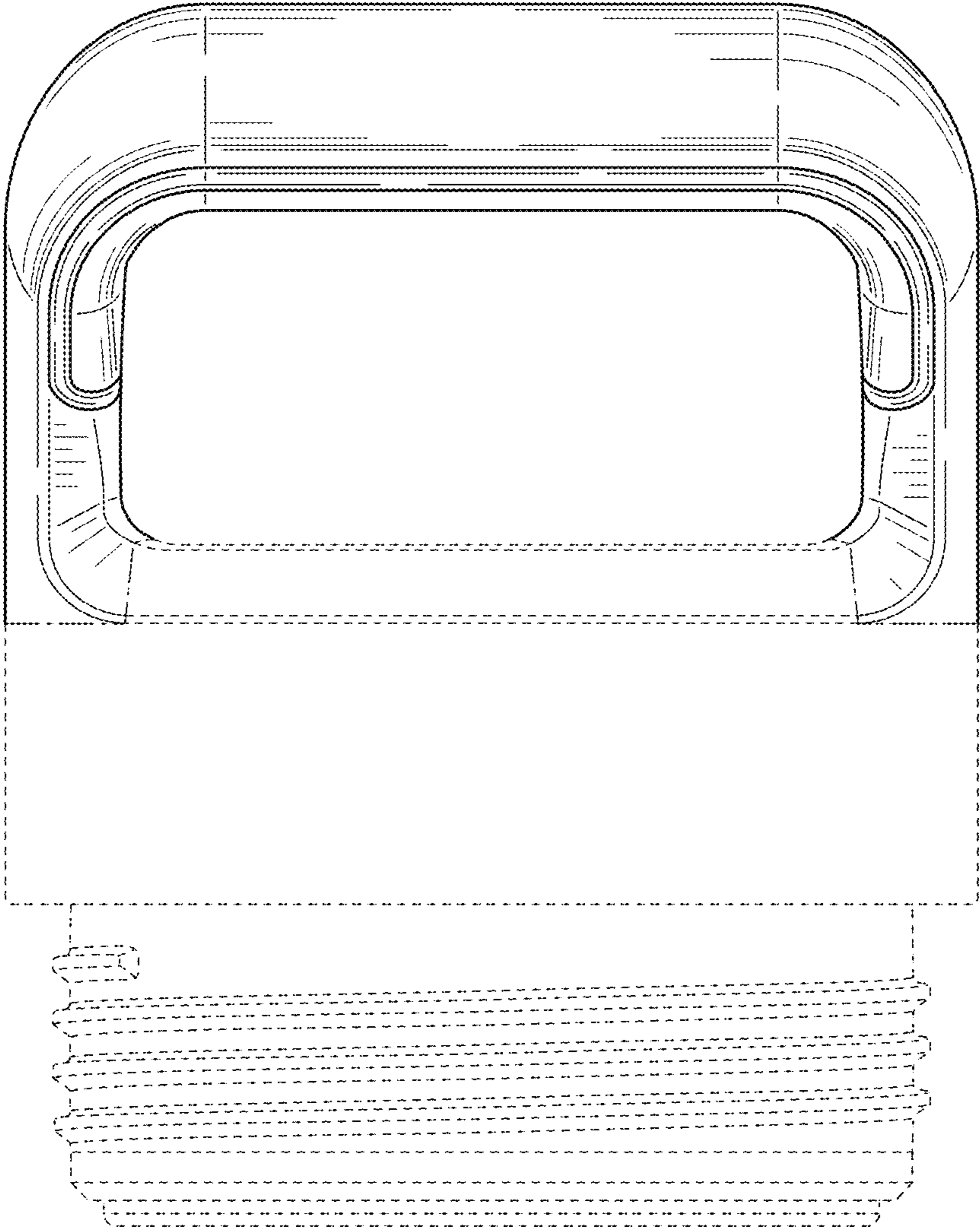


FIG. 10

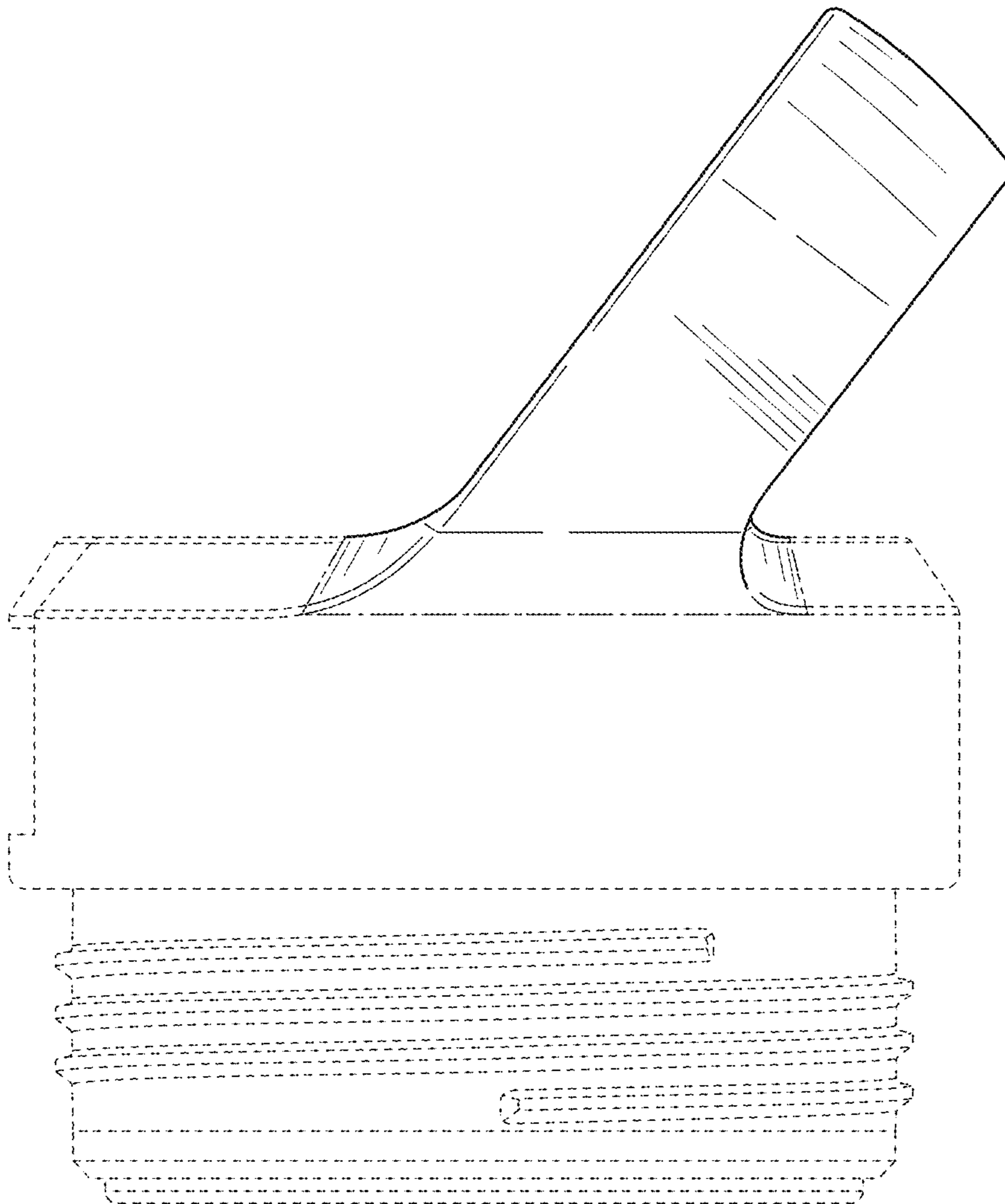


FIG. 11

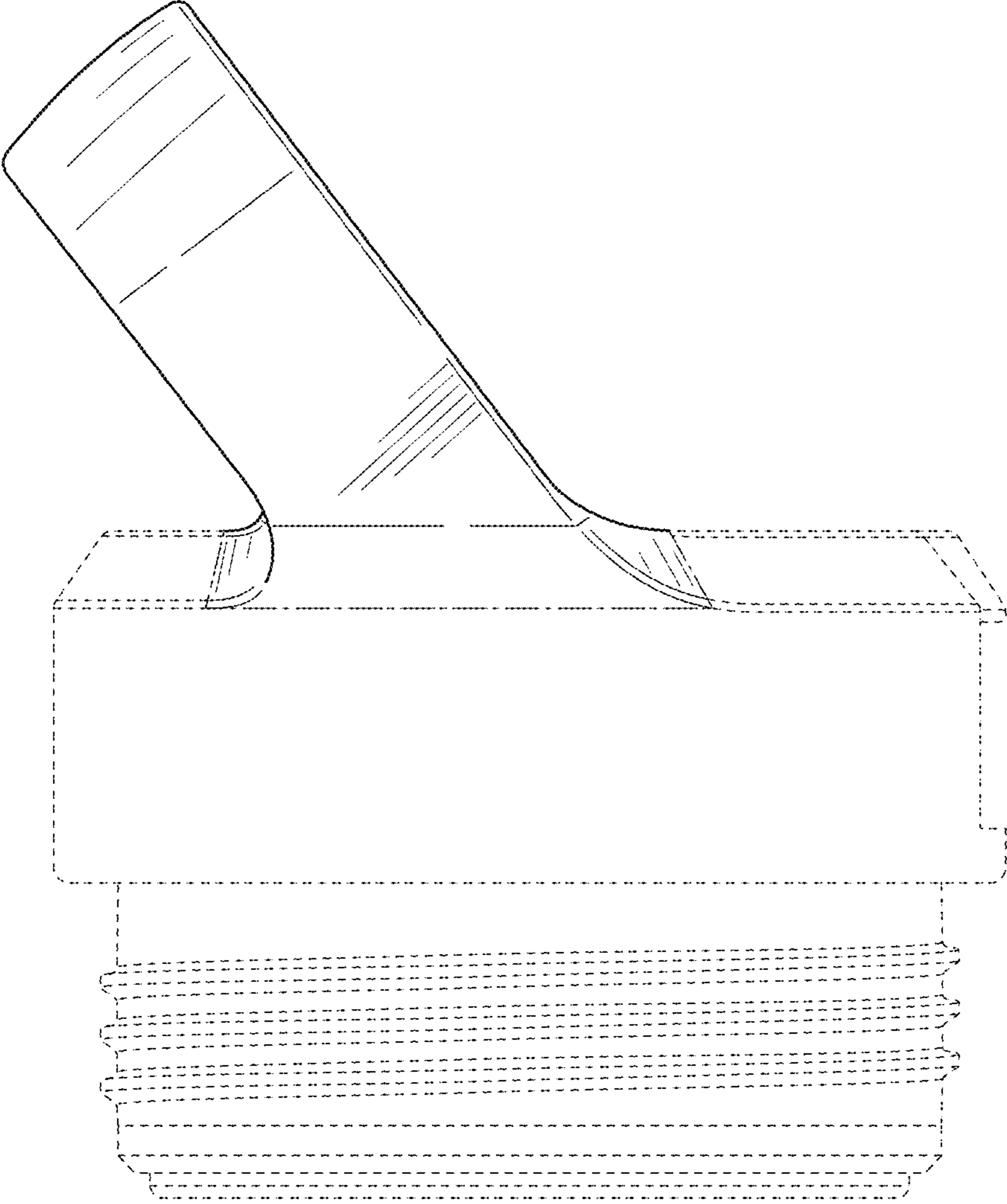


FIG. 12

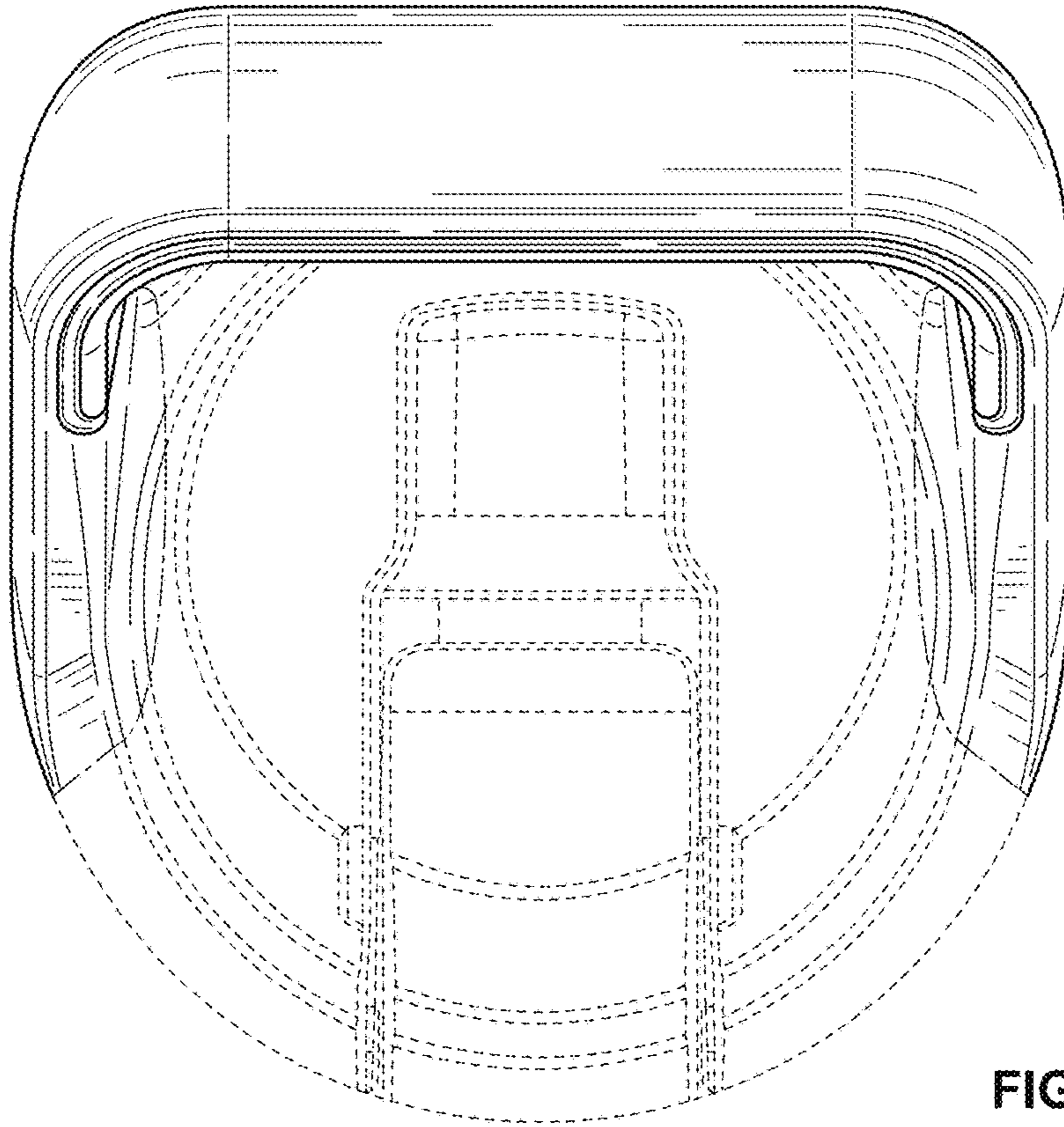


FIG. 13

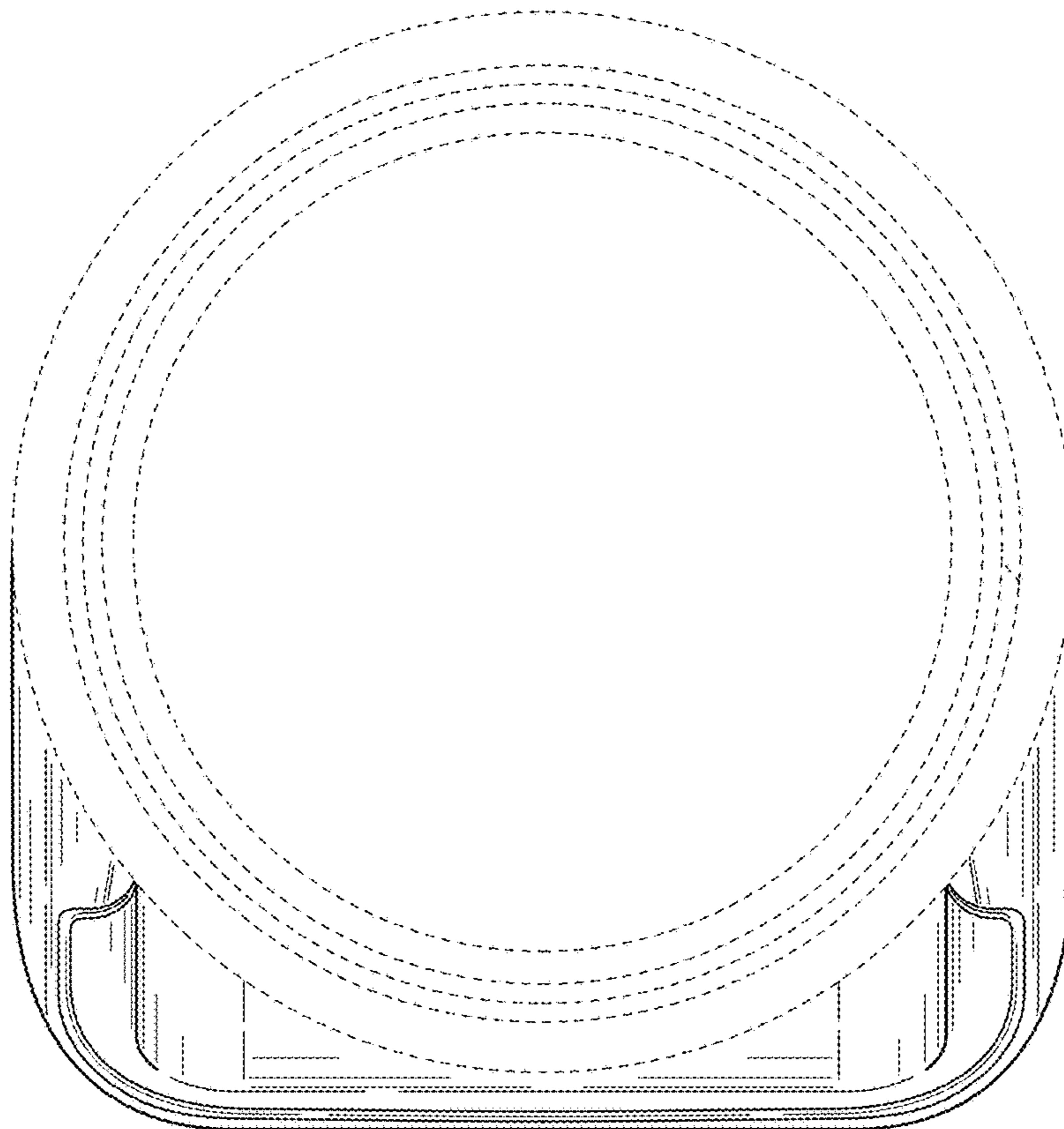


FIG. 14