



US00D821133S

(12) **United States Design Patent**  
**DiCarlo**

(10) **Patent No.:** **US D821,133 S**  
(45) **Date of Patent:** **\*\* Jun. 26, 2018**

(54) **MULTI-CONTAINER FILLING NOZZLE**

(71) Applicant: **World Packaging Company, Inc.**,  
Ipswich, MA (US)

(72) Inventor: **Joseph A. DiCarlo**, Chester, NH (US)

(73) Assignee: **ABC FILLERS, INC.**, Ipswich, MA  
(US)

(\*\*) Term: **15 Years**

(21) Appl. No.: **29/591,421**

(22) Filed: **Jan. 19, 2017**

**Related U.S. Application Data**

(63) Continuation of application No. 15/262,886, filed on  
Sep. 12, 2016, which is a continuation-in-part of  
application No. 15/190,181, filed on Jun. 23, 2016,  
now abandoned.

(51) **LOC (11) Cl.** ..... **07-01**

(52) **U.S. Cl.**  
USPC ..... **D7/312; D15/145**

(58) **Field of Classification Search**  
USPC .... D3/202, 203.1, 242; D7/316, 321, 392.1,  
D7/396.2, 397, 500, 507, 509-511, 300,  
D7/312; D9/434-437, 439, 440,  
D9/442-445, 447, 448, 449, 450,  
D9/452-455, 499, 682, 685, 694;  
D23/213, 227, 233, 255, 260, 269, 390;  
D15/145  
CPC .. B67C 3/225; B67C 3/16; B67C 3/24; B67C  
3/26; B67C 3/286; B67C 3/2634; B67C  
2003/2657; B67C 2003/2668

See application file for complete search history.

(56) **References Cited**

**U.S. PATENT DOCUMENTS**

D191,589 S \* 10/1961 Schlumbohm ..... D7/312  
3,455,350 A 7/1969 Hinxlage ..... 141/367

4,170,252 A 10/1979 Peterson ..... 141/331  
4,674,547 A 6/1987 Simonazzi ..... 141/181  
5,343,886 A 9/1994 Beswick ..... 134/131  
D417,847 S \* 12/1999 Rush ..... D7/629  
6,038,833 A 3/2000 Beringer ..... 141/368  
D480,969 S \* 10/2003 Owens ..... 220/4.27

(Continued)

**OTHER PUBLICATIONS**

KinneK. How a Moonshine Distiller Found the Right Supplier. Apr.  
21, 2017 [earliest online date], [site visited Dec. 21, 2017]. Avail-  
able from Internet, <URL:https://www.kinneK.com/article/match-  
maker-stories-murphys-law-distillery/#/>. (Year: 2017).\*

(Continued)

*Primary Examiner* — Robert M. Spear

*Assistant Examiner* — Darcey E Heflin

(74) *Attorney, Agent, or Firm* — Hayes Soloway P.C.

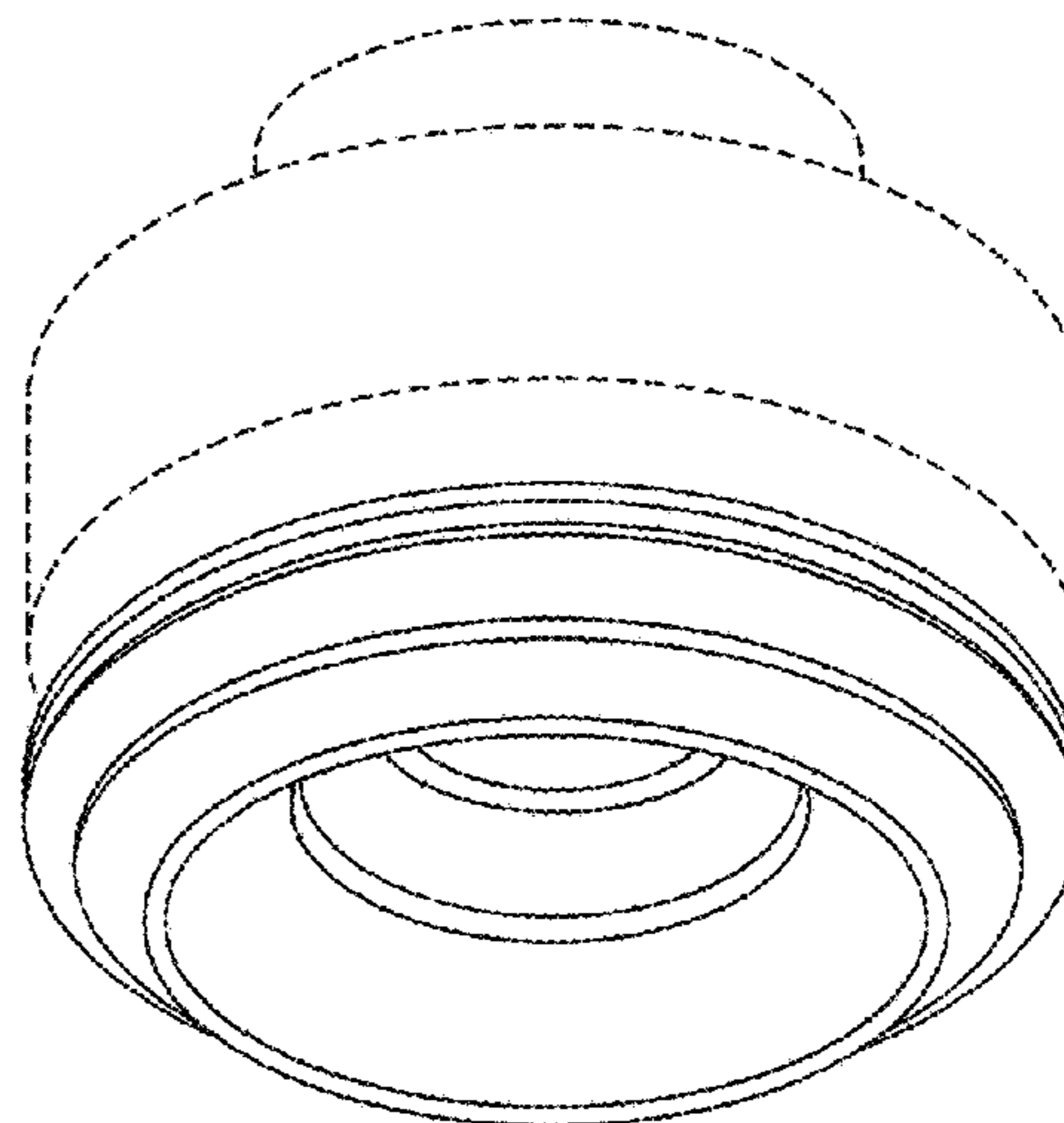
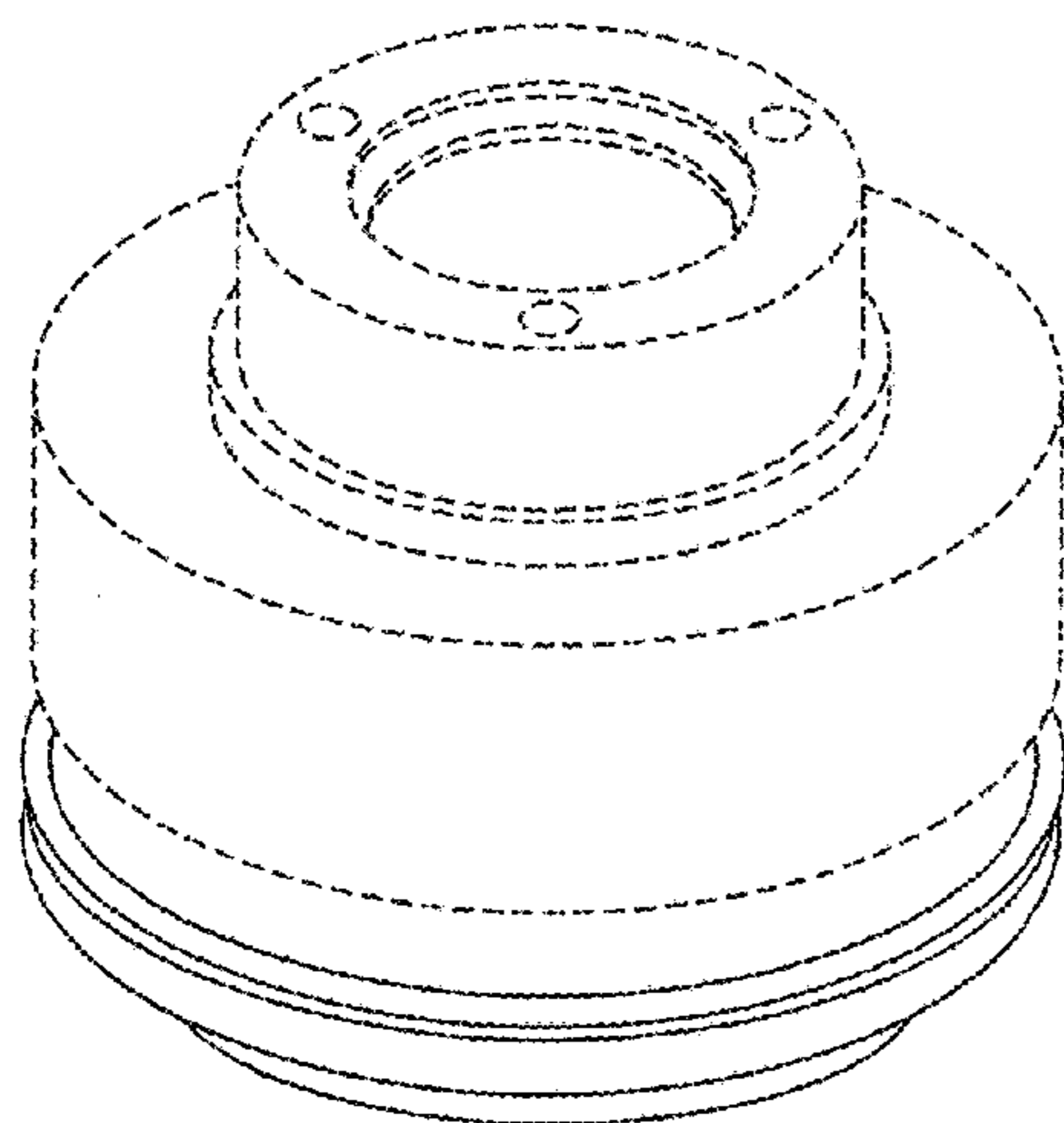
(57) **CLAIM**

I claim the ornamental design for a multi-container filling  
nozzle, as shown and described.

**DESCRIPTION**

FIG. 1 is an upper perspective view of a multi-container  
filling nozzle showing my new design;  
FIG. 2 is a lower perspective view thereof;  
FIG. 3 is a top view thereof;  
FIG. 4 is a side view thereof;  
FIG. 5 is a bottom view thereof;  
FIG. 6 is a side view thereof, showing the multi-container  
filling nozzle in use with a bottle container; and,  
FIG. 7 is a second side view thereof, showing the multi-  
container filling nozzle in use with a can container.  
The dash-dash broken lines of FIGS. 1-4 and 6-7 are  
included for the purpose of illustrating portions of the article  
and containers used with the article that form no part of the  
claimed design.

**1 Claim, 7 Drawing Sheets**



(56)

References Cited

U.S. PATENT DOCUMENTS

D525,127 S \* 7/2006 Cogley ..... D9/456  
 7,299,832 B2 11/2007 Hartness ..... 141/144  
 D643,912 S \* 8/2011 Bowman ..... D23/269  
 D648,427 S \* 11/2011 Bowman ..... D23/269  
 D662,767 S \* 7/2012 Hotell ..... D7/396.2  
 D681,176 S \* 4/2013 Chacko ..... D23/269  
 D682,611 S \* 5/2013 Carder ..... D7/392.1  
 D696,751 S \* 12/2013 Beagen, Jr. .... D23/269  
 D697,180 S \* 1/2014 van de Klippe ..... D23/269  
 D716,653 S \* 11/2014 Balembois ..... D9/435  
 D718,136 S \* 11/2014 Harrity ..... D9/499  
 D731,035 S \* 6/2015 Lo Cicero ..... D23/269  
 D744,068 S \* 11/2015 Turner ..... D23/260  
 D752,975 S \* 4/2016 Gatto ..... D9/434  
 D761,398 S \* 7/2016 Murphy ..... D23/269  
 D761,649 S \* 7/2016 Buck ..... D9/447

D802,326 S \* 11/2017 Beaver ..... D6/515  
 2001/0045242 A1 11/2001 Clusserath ..... 141/144  
 2005/0178466 A1 8/2005 Tanikawa ..... 141/57

OTHER PUBLICATIONS

Brew Boss. Fill-Boss Counter Pressure Bottle and Growler Filler. 2017 [earliest online date], [site visited Dec. 21, 2017]. Available from Internet, <URL:https://www.brew-boss.com/Fill-Boss-Counter-Pressure-Bottle-Filler-p/fill-boss.htm>. (Year: 2017).\*

Alibaba. Automatic Glass Bottle Beer Filling Machine. 2018 [earliest online date], [site visited Jan. 25, 2018]. Available from Internet, <URL:https://www.alibaba.com/product-detail/Automatic-Glass-bottle-beer-filling-machine\_60075611591.html?spm=a2700.7724857.main07.200.6afa5f2aW1vJmX>. (Year: 2018).\*

Office Action issued in related U.S. Appl. No. 15/262,886 dated Apr. 3, 2018, 9 pages.

\* cited by examiner

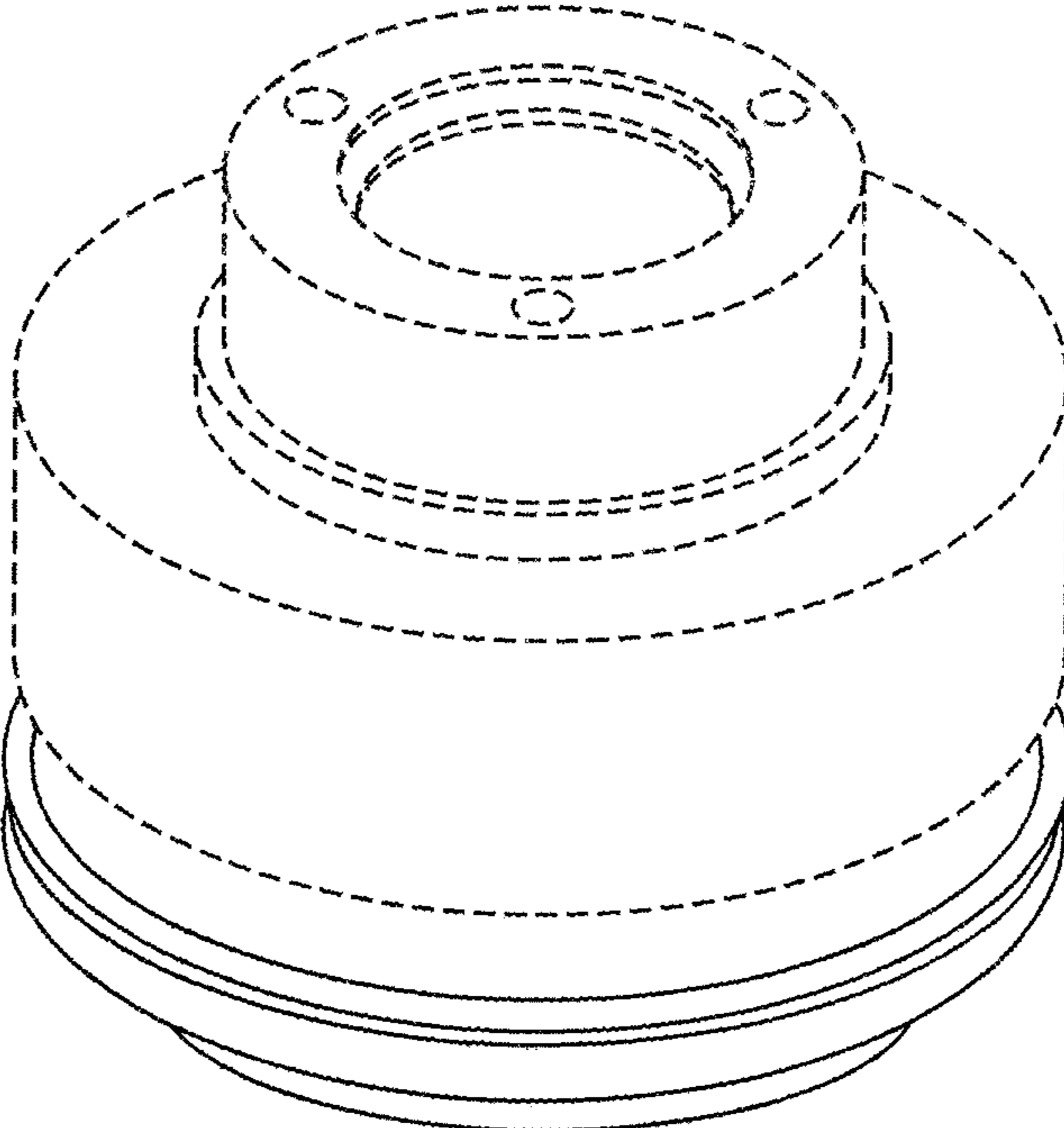


FIG. 1

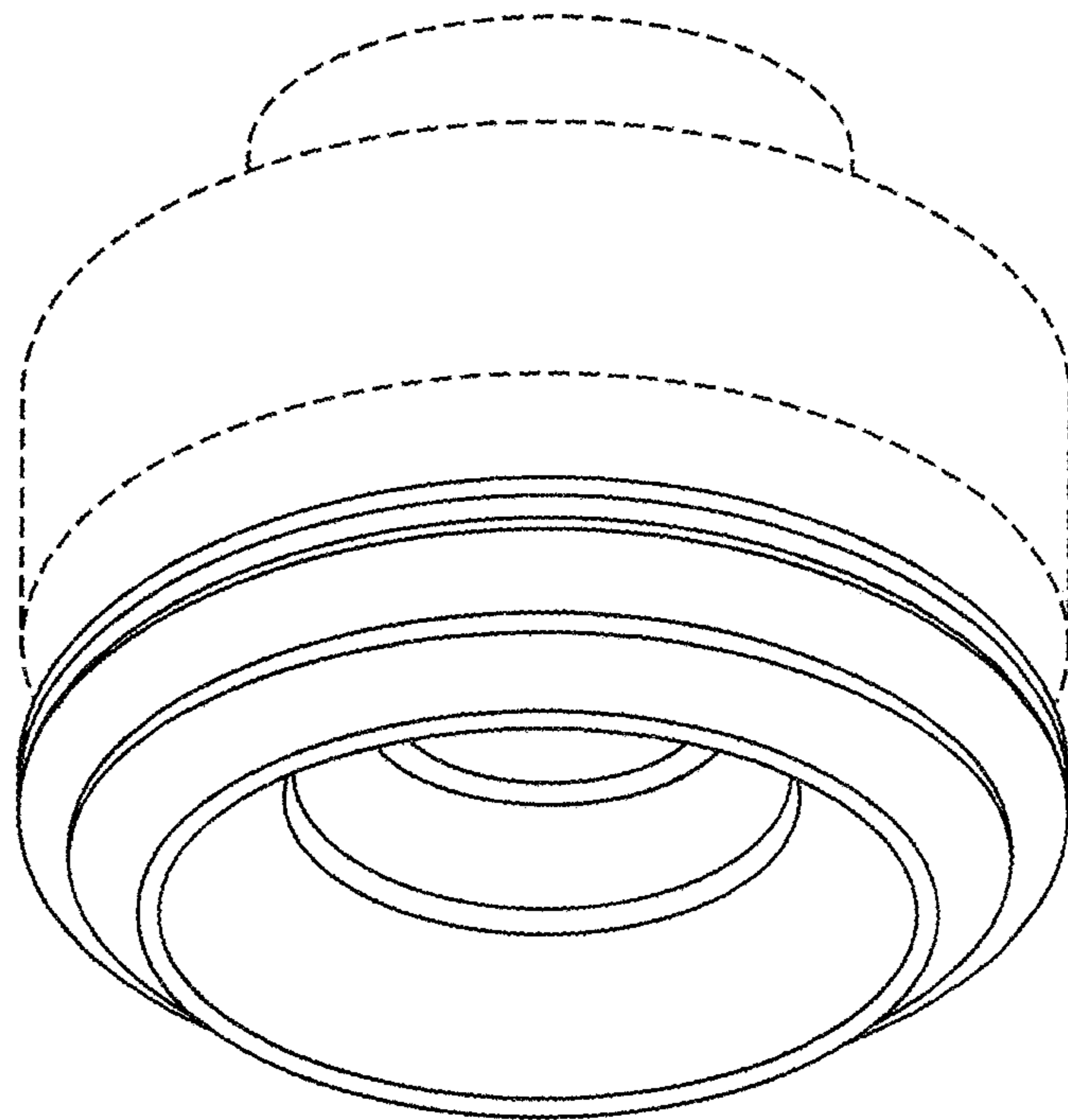


FIG. 2

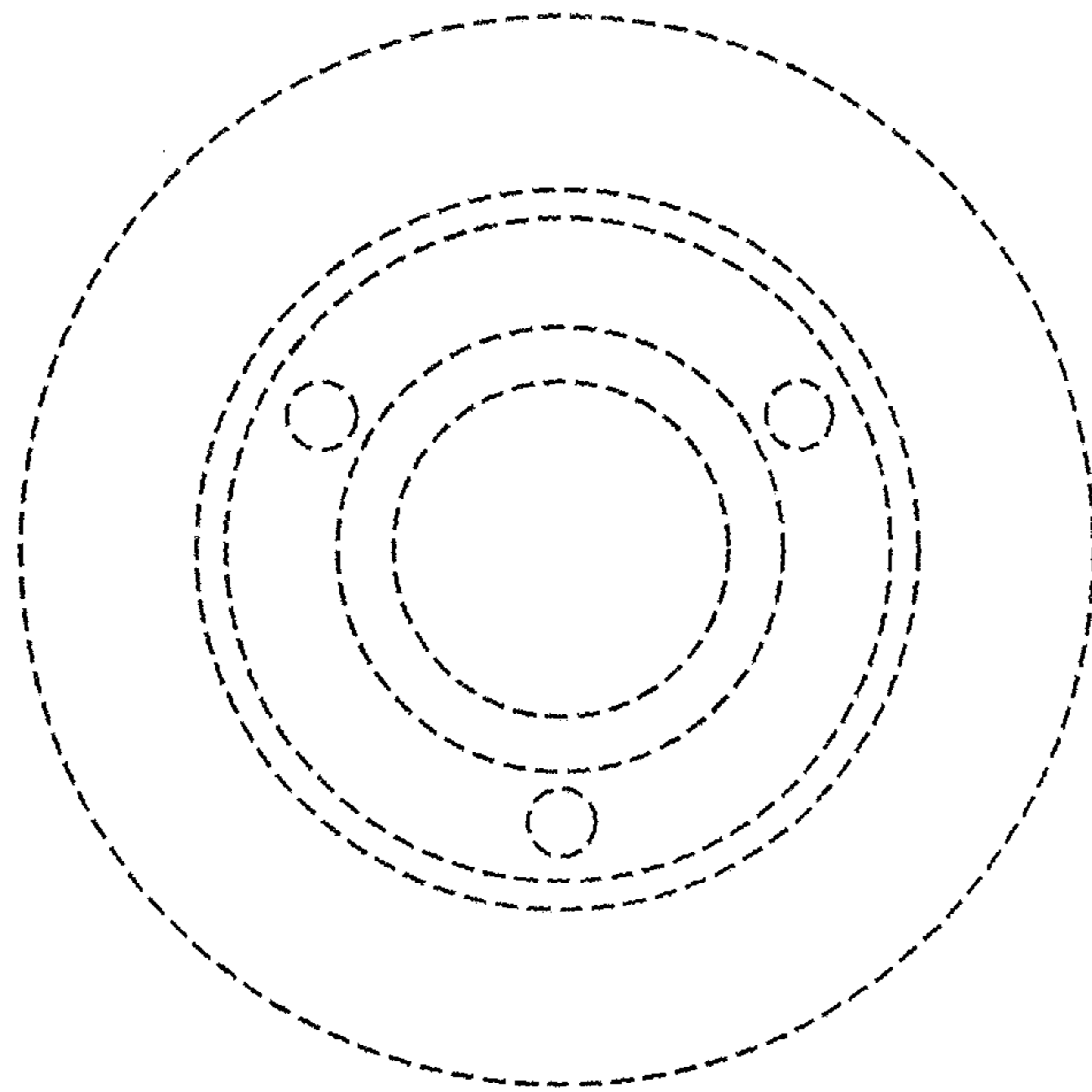


FIG. 3

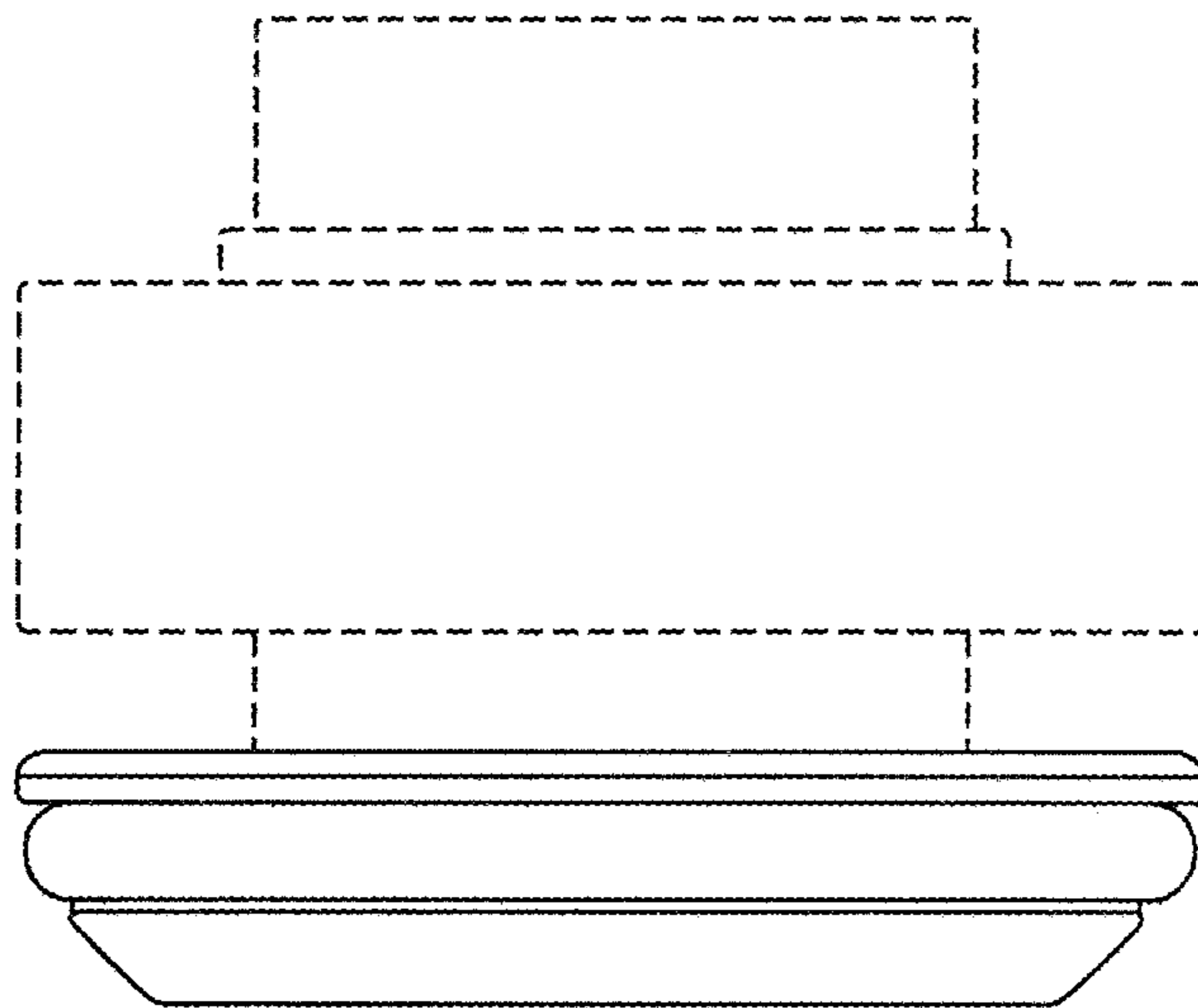


FIG. 4

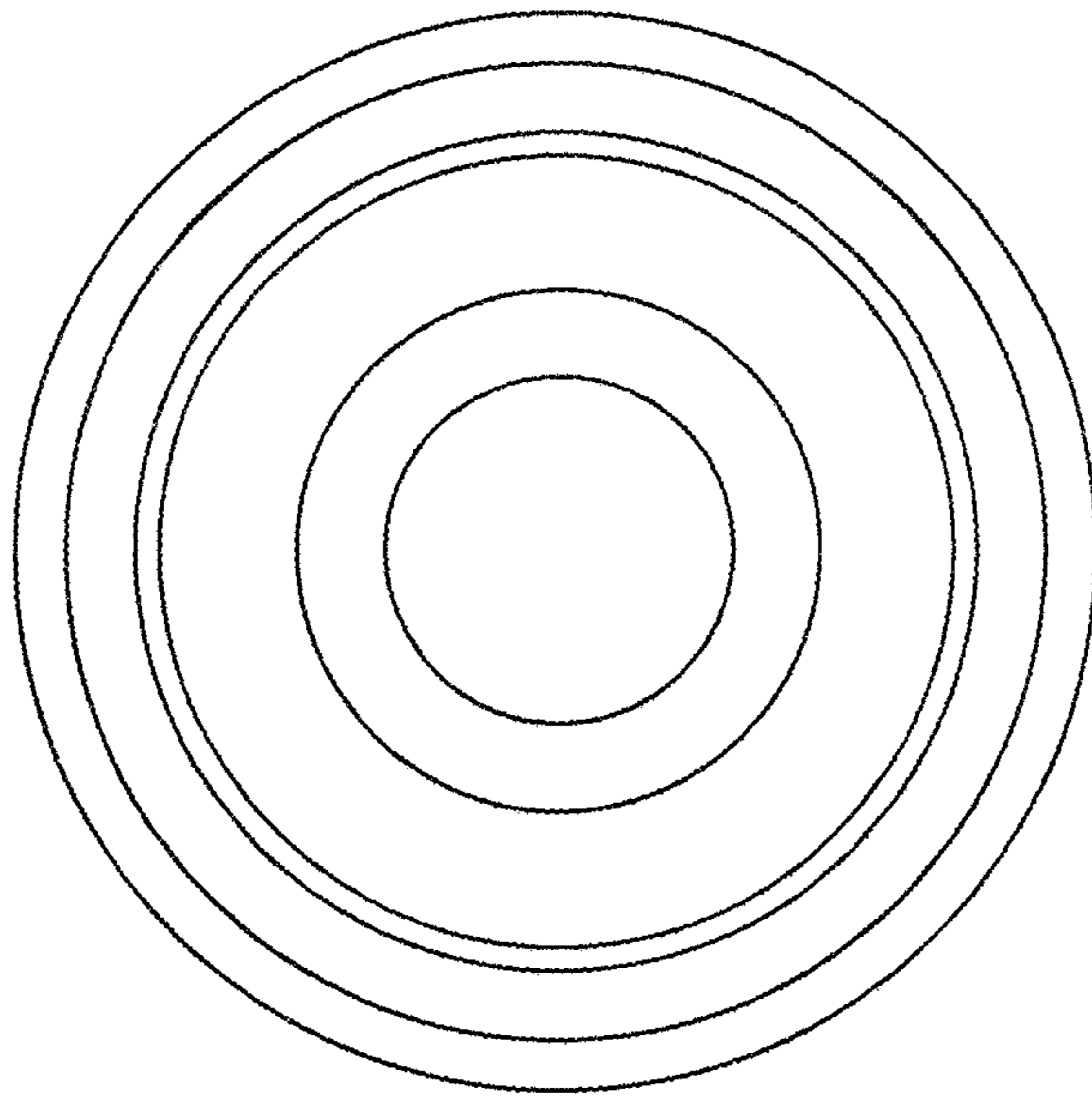


FIG. 5

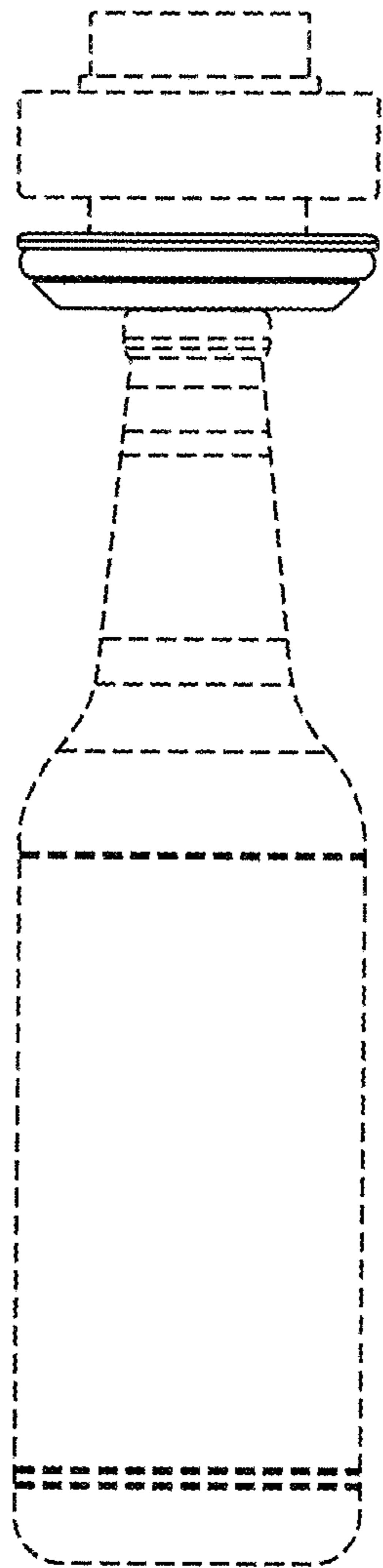


FIG. 6



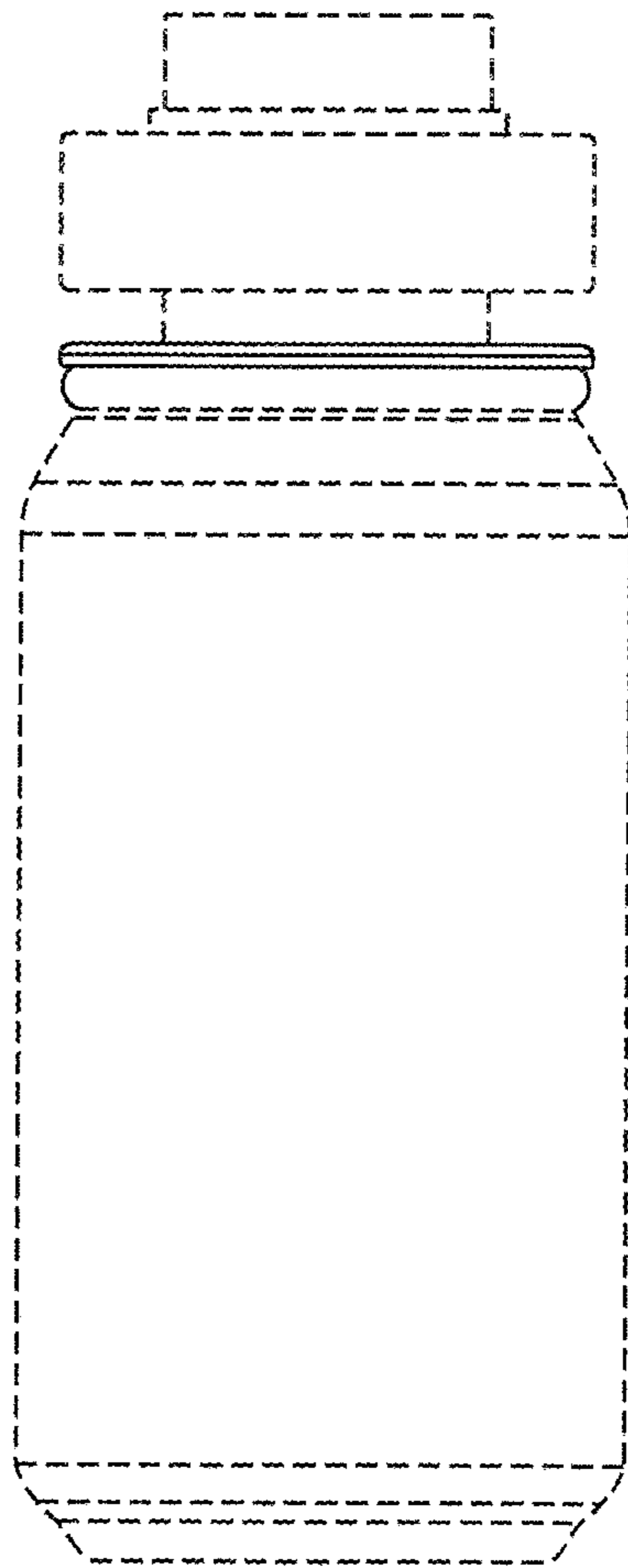


FIG. 7