



US00D821132S

(12) **United States Design Patent** (10) **Patent No.:** **US D821,132 S**
Cometti (45) **Date of Patent:** **** Jun. 26, 2018**

(54) **COFFEE MACHINE**

(71) Applicant: **Gruppo Cimbali S.p.A.**, Binasco MI (IT)

(72) Inventor: **Valerio Cometti**, Milan (IT)

(73) Assignee: **Gruppo Cimbali, S.P.A.** (IT)

(**) Term: **15 Years**

(21) Appl. No.: **29/573,980**

(22) Filed: **Aug. 11, 2016**

(51) **LOC (11) Cl.** **07-01**

(52) **U.S. Cl.**
USPC **D7/309; D7/311**

(58) **Field of Classification Search**
USPC D7/306-311, 397, 399, 305, 373;
99/295; D20/1, 4; D15/80
CPC A47J 31/3614; A47J 31/4403; A47J 31/46
See application file for complete search history.

(56) **References Cited**

U.S. PATENT DOCUMENTS

D345,279 S *	3/1994	Sieger	D7/309
D413,757 S *	9/1999	Viguer Munoz	D7/309
D417,118 S *	11/1999	Pomeroy	D7/306
D455,596 S *	4/2002	Boos	D7/309
6,901,846 B2 *	6/2005	Ruckstuhl	A47J 31/3614 99/287
D510,675 S *	10/2005	Ball	D7/306
D553,416 S *	10/2007	Lin	D7/306
D562,617 S *	2/2008	Liebe	D7/309
D603,207 S *	11/2009	Metz	D7/306
D646,106 S *	10/2011	Gebhardt	D7/309
D646,107 S *	10/2011	Gebhardt	D7/309
D673,419 S *	1/2013	De Pra	D7/373
D675,677 S *	2/2013	Barili	D20/4
D689,321 S *	9/2013	Nett	D7/309

D699,066 S *	2/2014	Arora	D7/307
D732,329 S *	6/2015	Palermo	D7/306
D770,215 S *	11/2016	Vu	D7/309
D773,876 S *	12/2016	Harris, III	D7/307
D776,970 S *	1/2017	Broen	D7/307
D786,603 S *	5/2017	Palermo	D7/306
D792,739 S *	7/2017	Palermo	D7/306
D793,146 S *	8/2017	Palermo	D7/306
D807,098 S *	1/2018	De' Longhi	D7/309
D807,099 S *	1/2018	De' Longhi	D7/309
D807,100 S *	1/2018	De' Longhi	D7/309
D807,101 S *	1/2018	De' Longhi	D7/309
D807,675 S *	1/2018	De' Longhi	D7/309

* cited by examiner

Primary Examiner — Marianne Pandozzi

(74) *Attorney, Agent, or Firm* — Adam K. Sacharoff;
Much Shelist, P.C.

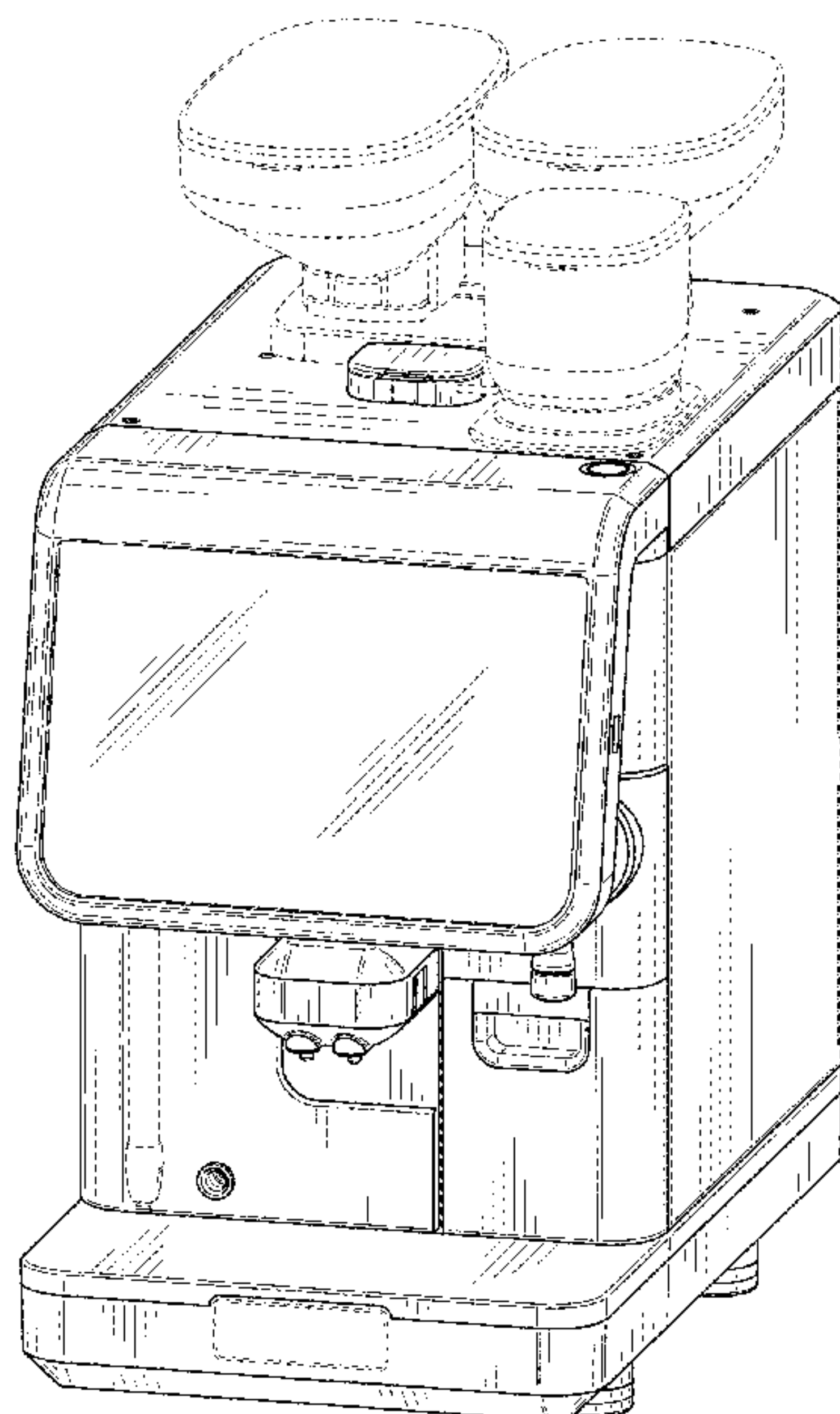
(57) **CLAIM**

The ornamental design for a coffee machine, as shown and described.

DESCRIPTION

FIG. 1 is a front right side perspective view showing the new design for a coffee machine;
FIG. 2 is a front left side perspective view thereof;
FIG. 3 is a rear right side perspective view thereof;
FIG. 4 is a rear left side perspective view thereof;
FIG. 5 is a front view thereof;
FIG. 6 is a rear view thereof;
FIG. 7 is a right side view thereof;
FIG. 8 is a left side view thereof;
FIG. 9 is a top plan view thereof; and,
FIG. 10 is a bottom plan view thereof.
The broken lines in the drawing depict portions of the coffee machine that form no part of the claimed design.

1 Claim, 10 Drawing Sheets



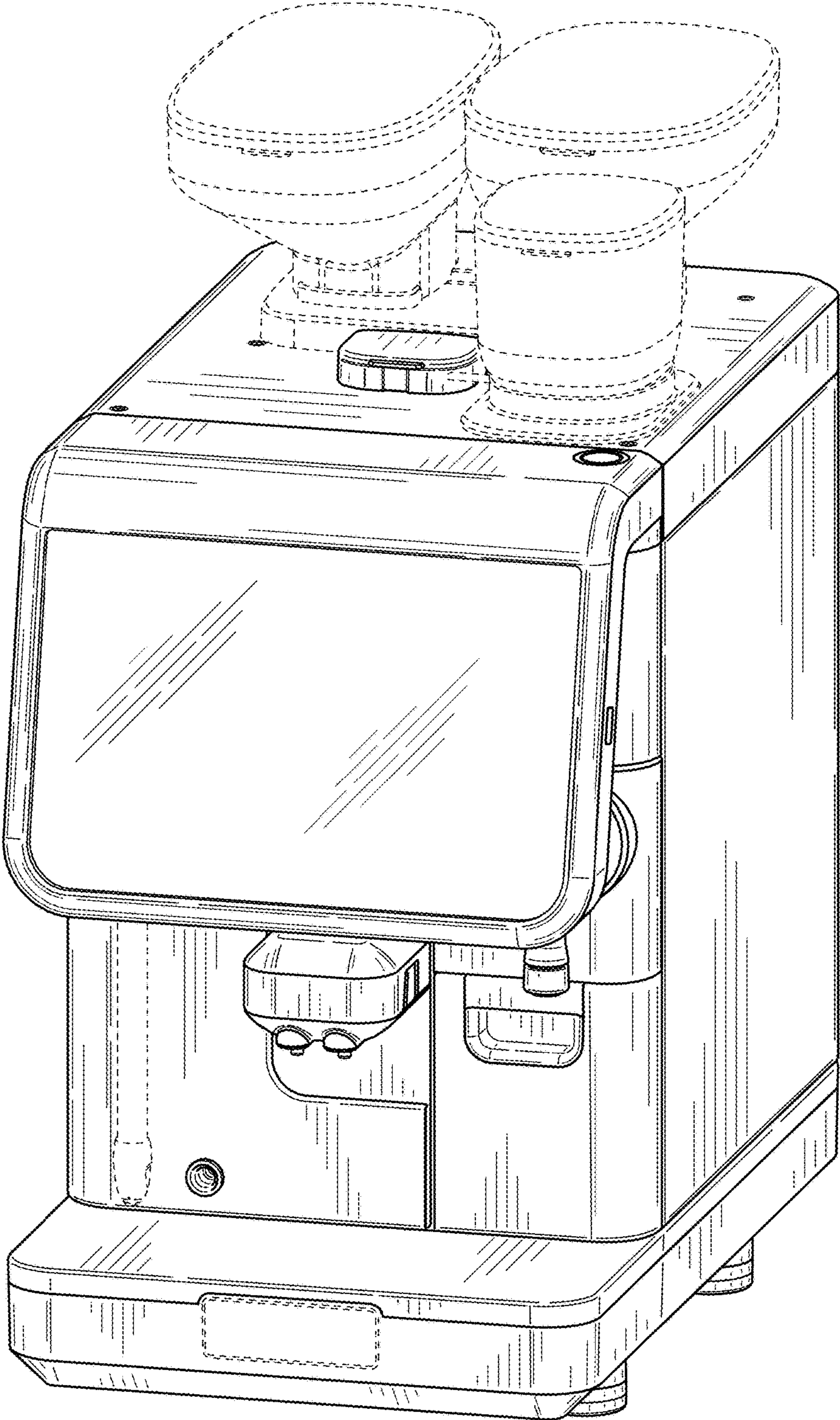


FIG. 1

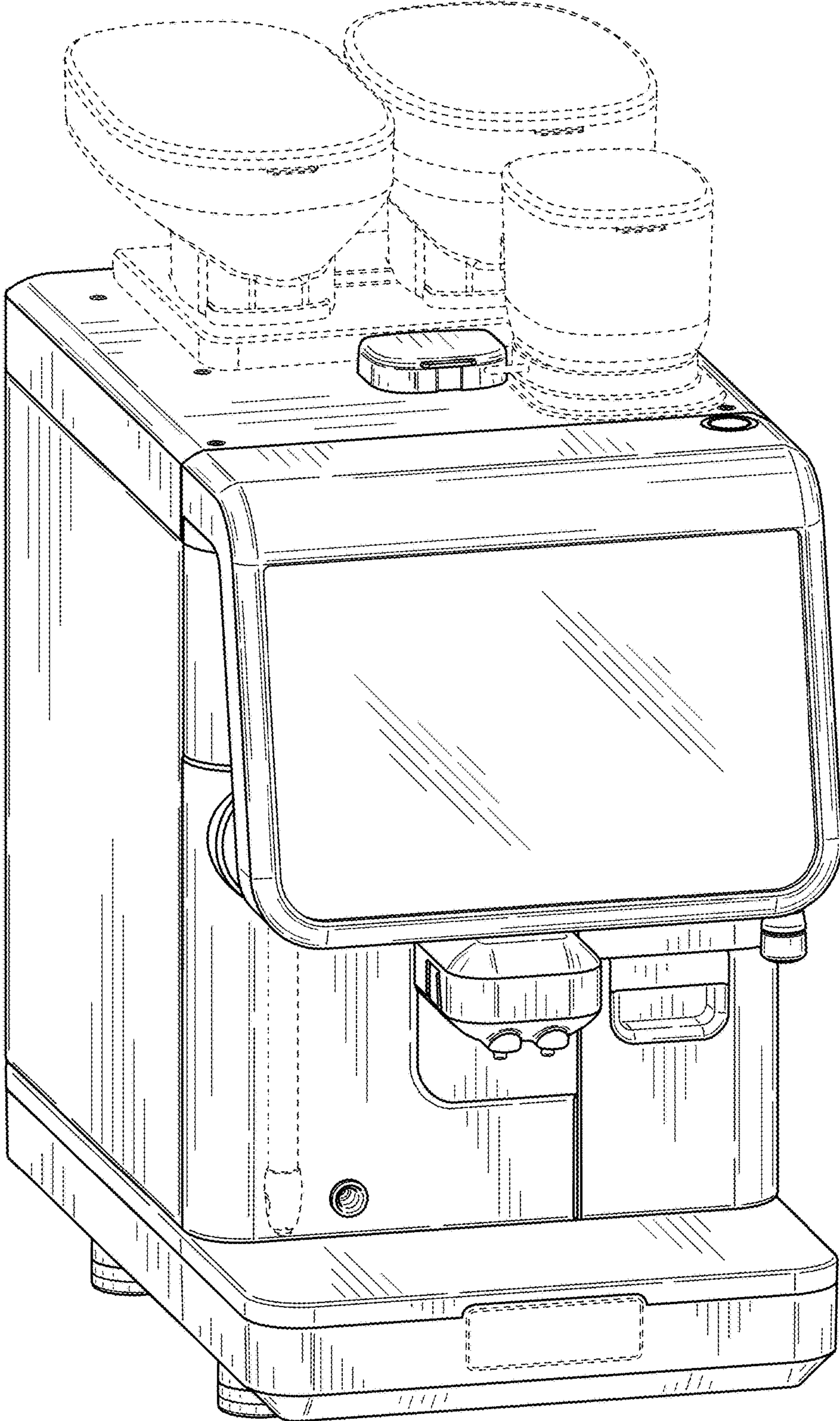


FIG. 2

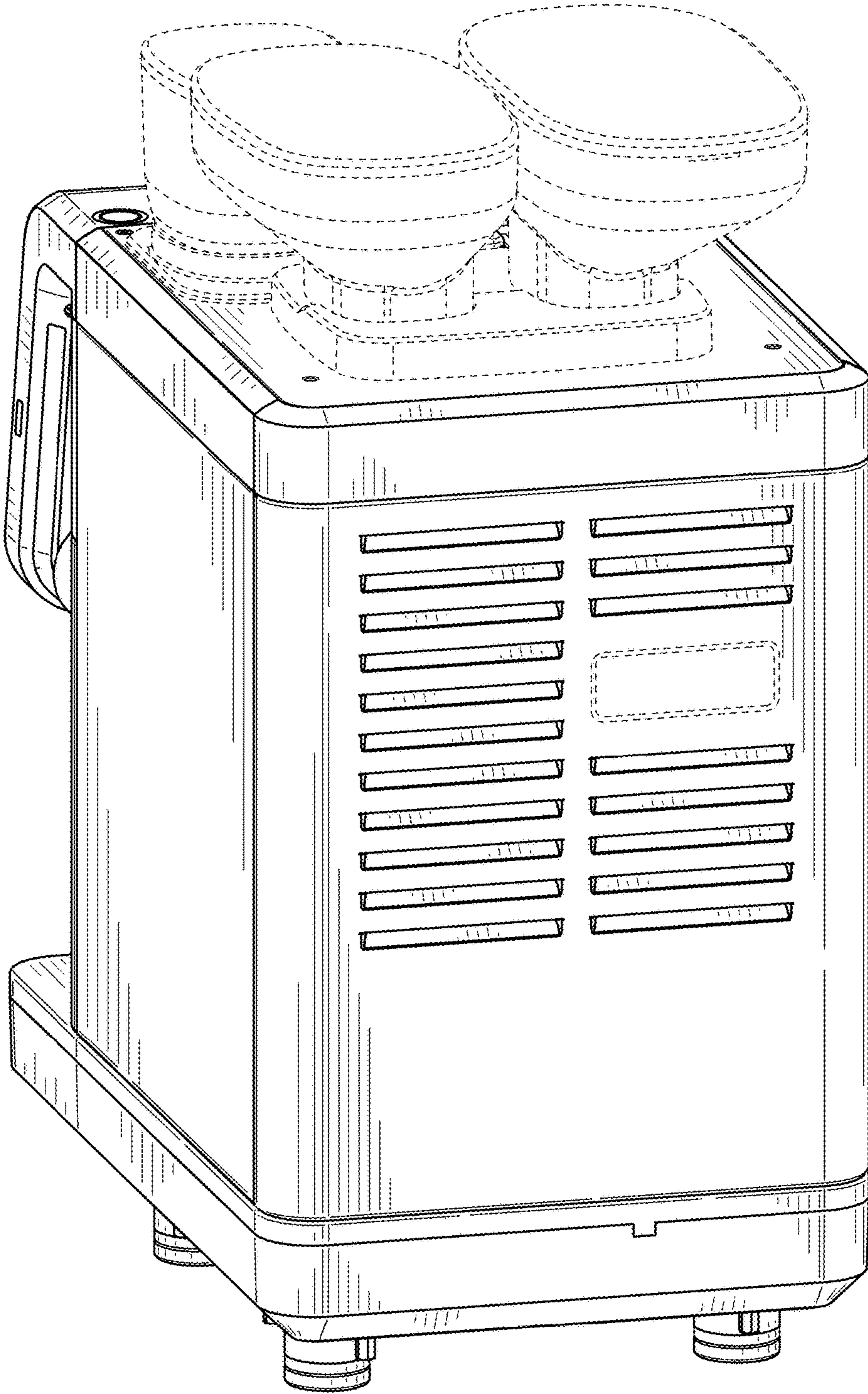


FIG. 3

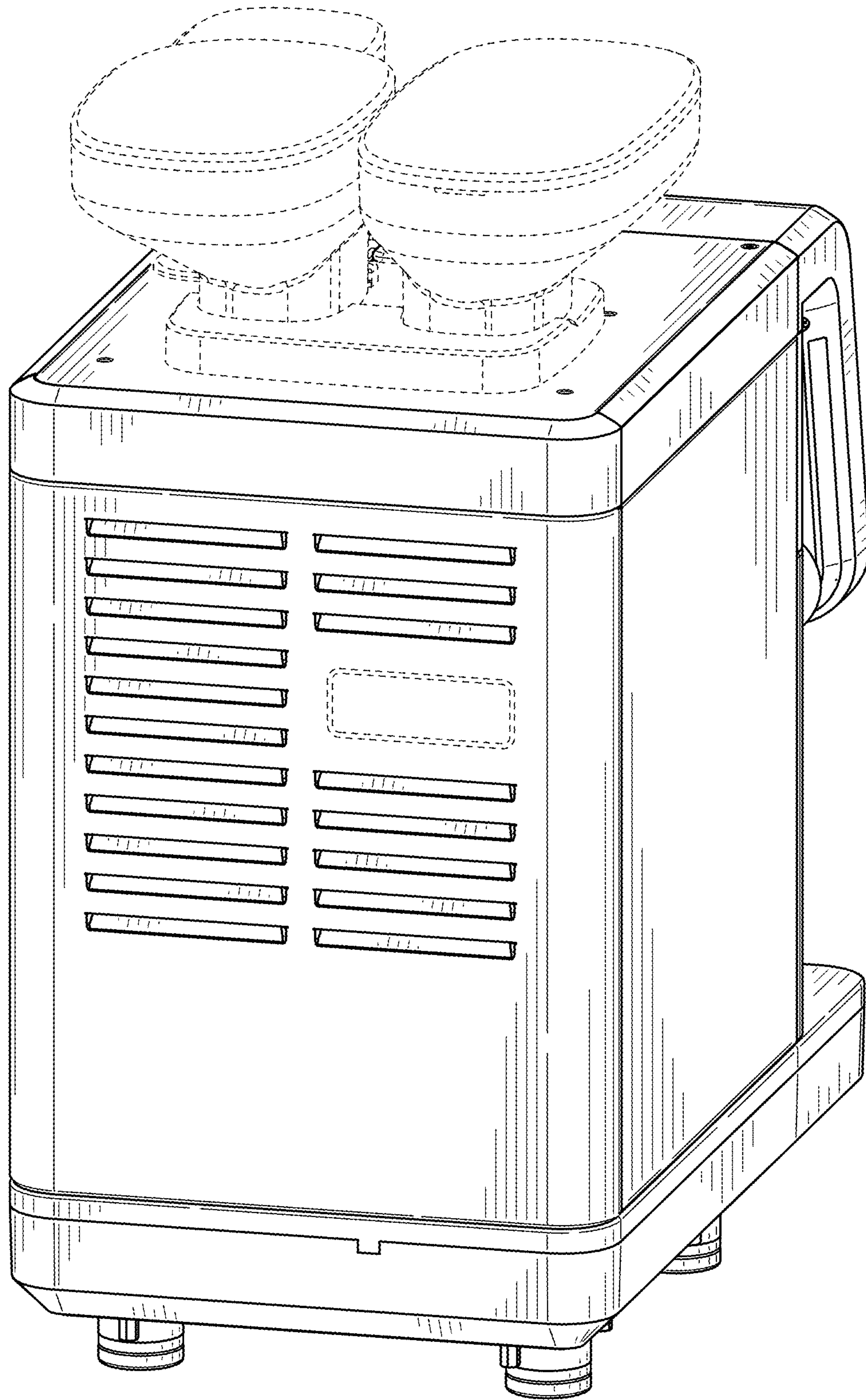


FIG. 4

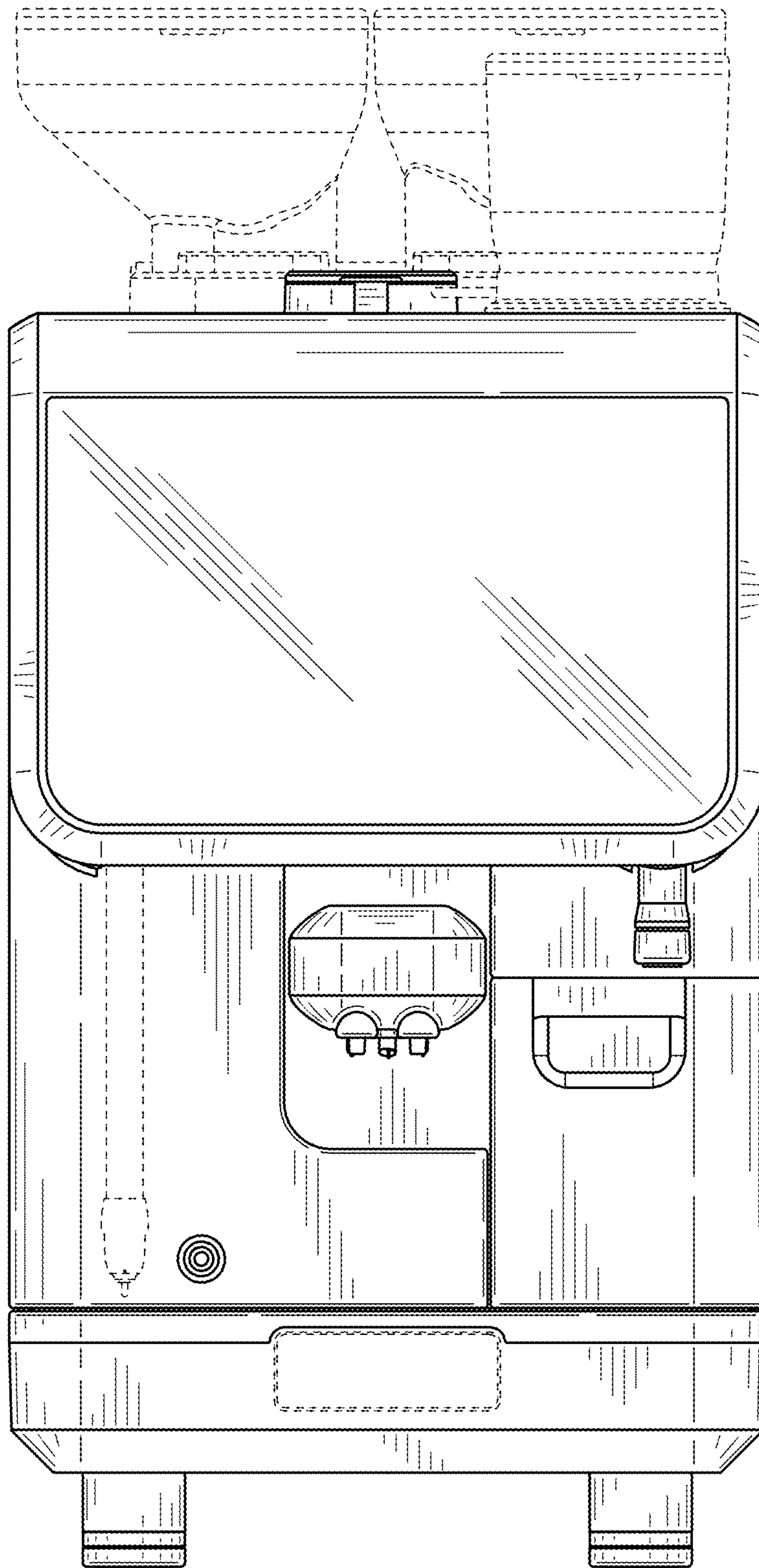


FIG. 5

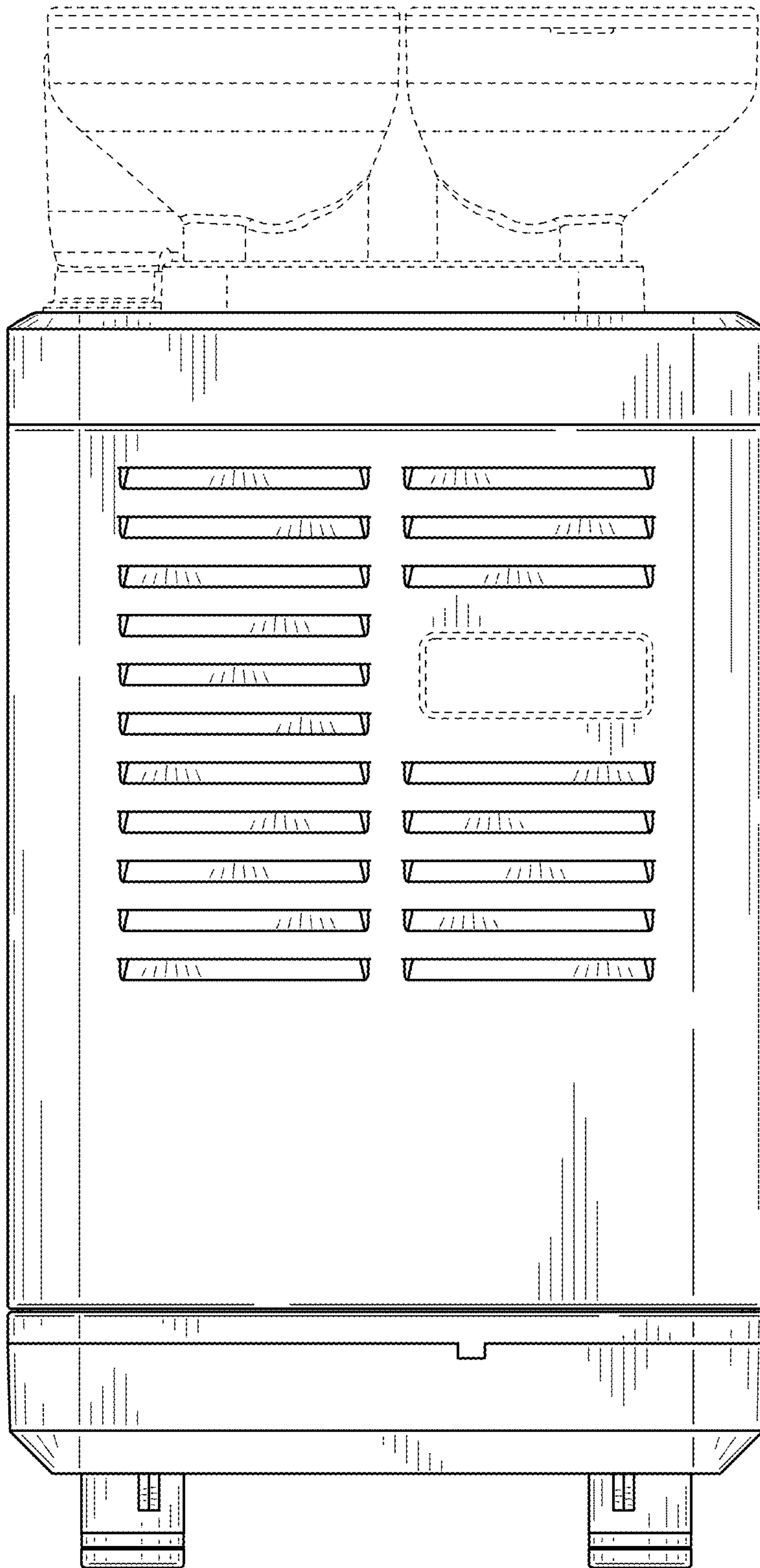


FIG. 6

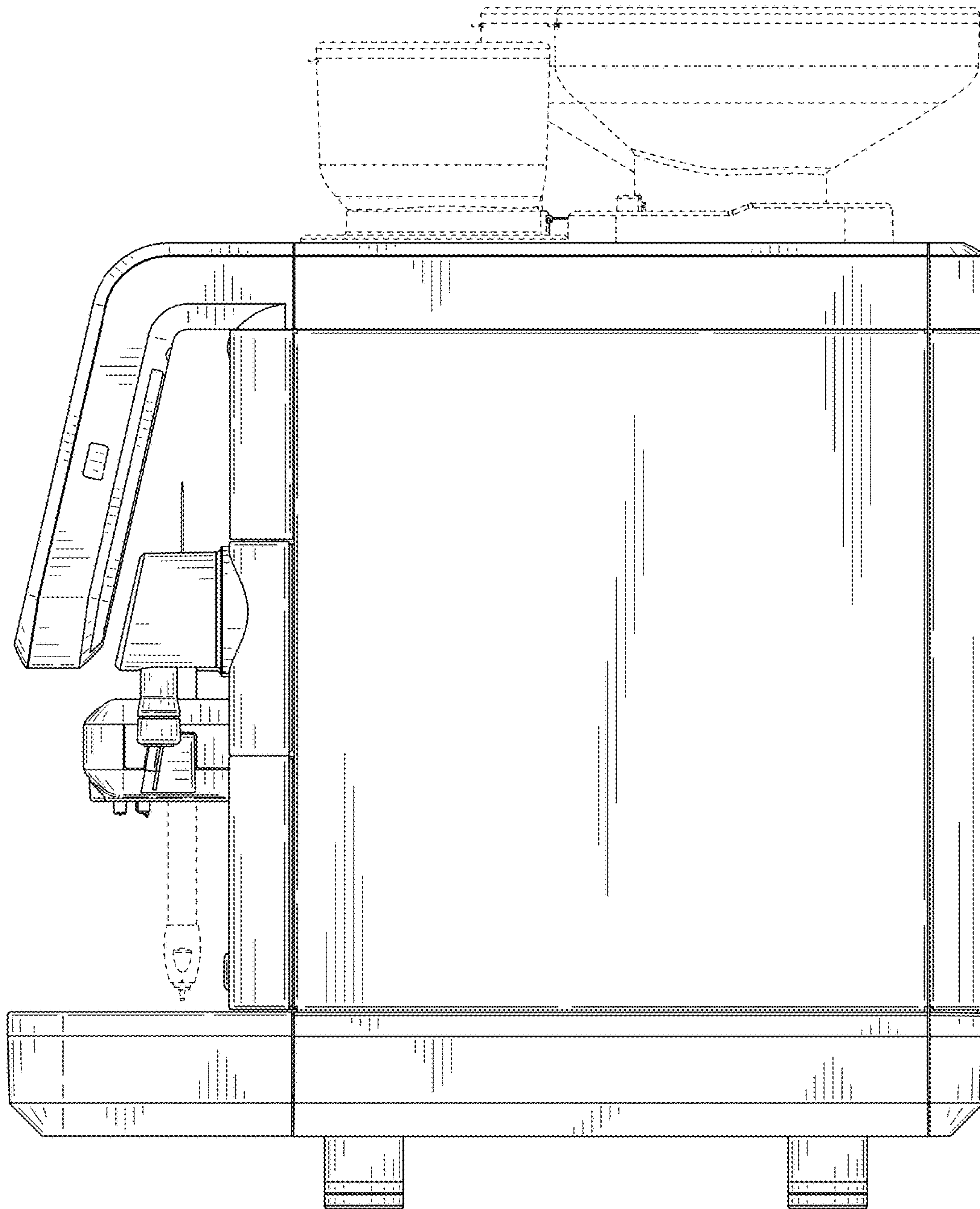


FIG. 7

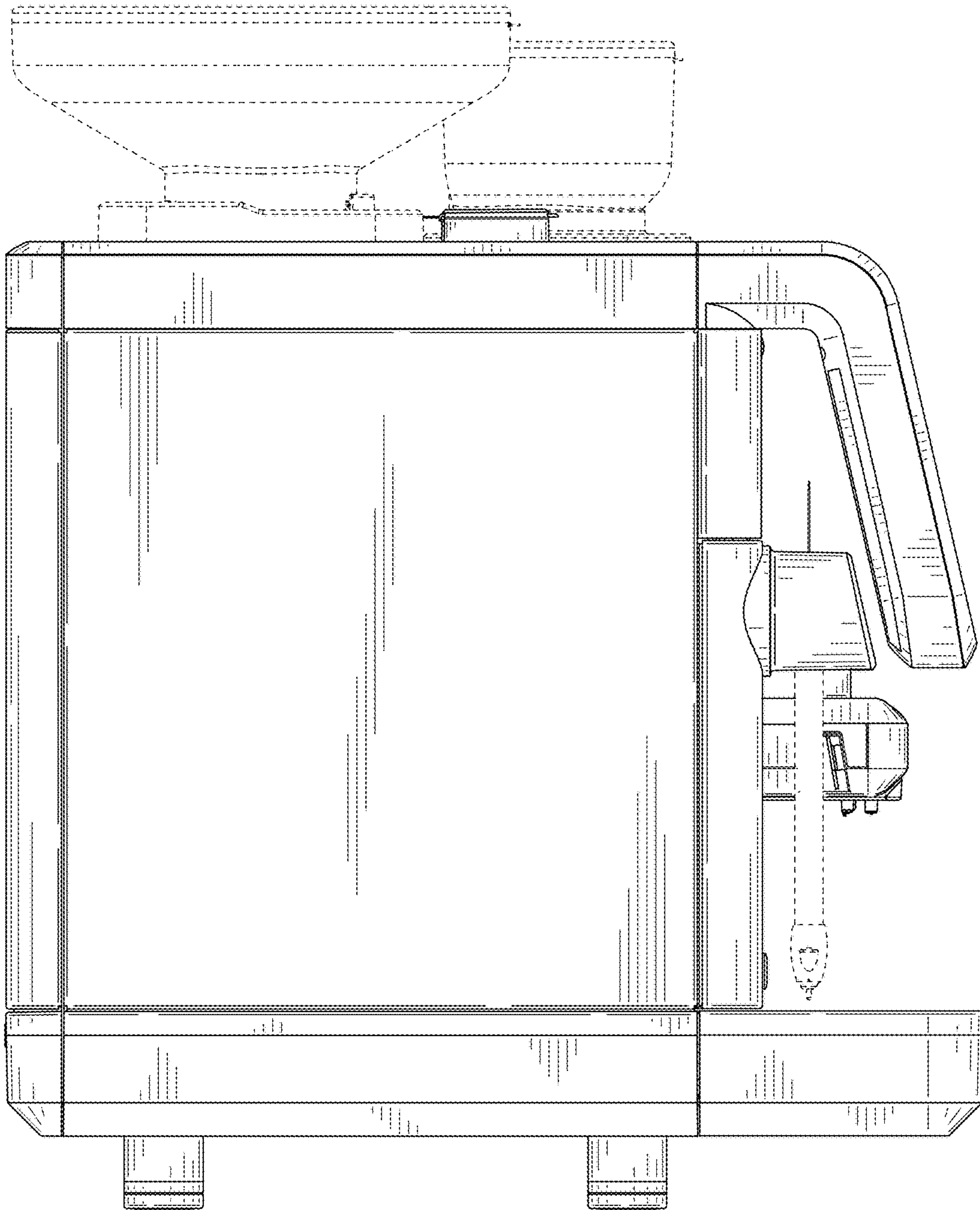


FIG. 8

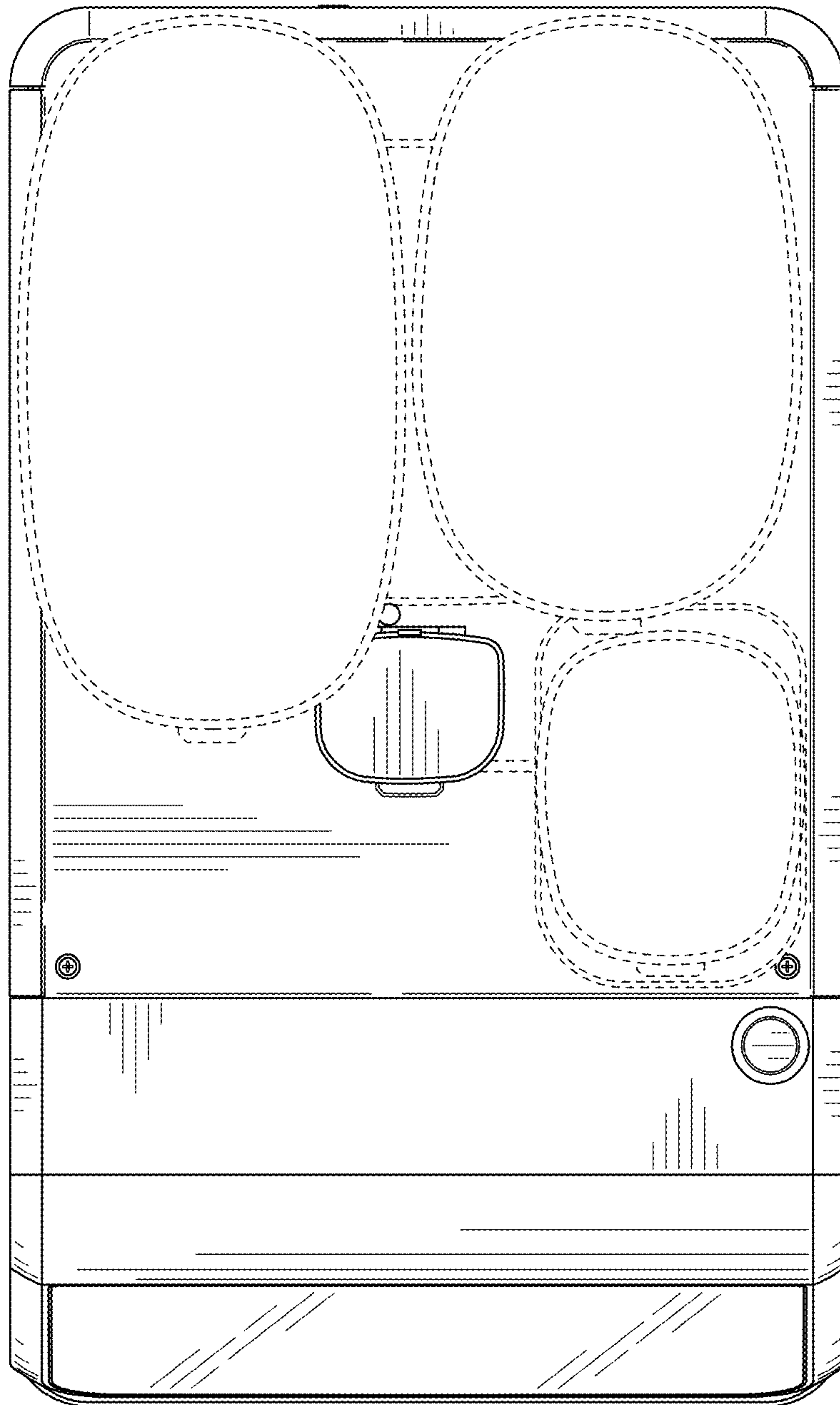


FIG. 9

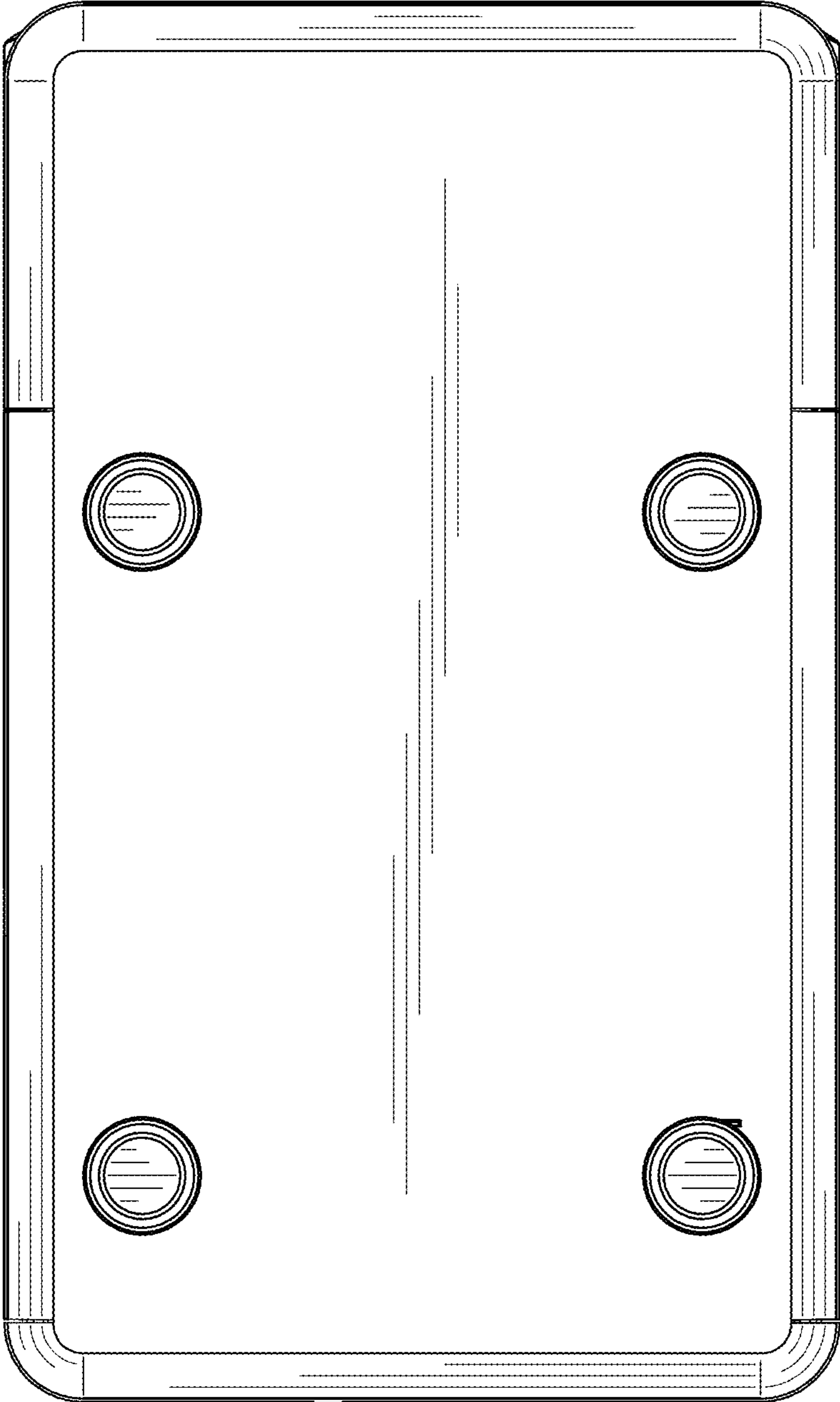


FIG. 10