



US00D821131S

(12) **United States Design Patent**
Anderson

(10) **Patent No.:** **US D821,131 S**
(45) **Date of Patent:** **** Jun. 26, 2018**

- (54) **MULTIPURPOSE POWERED SOFA CONSOLE**
- (71) Applicant: **Donald L. Anderson**, Indianapolis, IN (US)
- (72) Inventor: **Donald L. Anderson**, Indianapolis, IN (US)
- (**) Term: **15 Years**
- (21) Appl. No.: **29/565,359**
- (22) Filed: **May 19, 2016**
- (51) **LOC (11) Cl.** **06-01**
- (52) **U.S. Cl.**
USPC **D6/716.2; D6/716; D6/381; D6/336**
- (58) **Field of Classification Search**
USPC ... D6/334-381, 709, 709.2, 716, 716.2, 717, D6/708.25, 708.23, 708.22, 708.16, 691.4, D6/656.15, 664, 673, 682
CPC A47C 7/68; A47C 7/70; A47C 7/62; A47C 16/00; A47G 2400/08; A47G 2400/083
See application file for complete search history.

- 5,375,907 A * 12/1994 Rogers A47C 7/70
297/113
- D363,698 S * 10/1995 Smith D12/419
- 5,480,213 A * 1/1996 Sproule A47C 1/0352
297/188.01
- D366,780 S * 2/1996 Brooks D6/406.3
- 5,630,644 A * 5/1997 LaPointe A47C 13/005
297/113
- 6,343,835 B1 * 2/2002 Ledbetter A47C 7/62
297/188.2
- 7,770,966 B2 * 8/2010 Johnson B60N 3/004
297/122
- 8,807,051 B2 * 8/2014 Johnson A47G 9/1045
108/43
- D720,152 S * 12/2014 Chauss D6/406.3
- 8,919,718 B2 * 12/2014 Lueker A47G 23/0208
224/556
- D721,899 S * 2/2015 Adair D6/381
- D723,292 S * 3/2015 Castanha D6/381
- 9,038,545 B2 * 5/2015 Johnson A47G 9/1045
108/43

(Continued)

Primary Examiner — Deanna L Pratt
(74) *Attorney, Agent, or Firm* — RG Patent Consulting, LLC; Rachel Gilboy

(56) **References Cited**

U.S. PATENT DOCUMENTS

- 3,304,143 A * 2/1967 Connell B60N 3/103
312/231
- 4,681,219 A * 7/1987 Kitchens A01K 97/06
206/315.11
- D317,674 S * 6/1991 Smith D12/419
- 5,064,244 A * 11/1991 Sproule A47C 1/0352
297/188.19
- 5,081,936 A * 1/1992 Drieling B60N 3/002
108/25
- 5,303,976 A * 4/1994 Nobile A47C 7/62
297/146
- 5,322,344 A * 6/1994 Hoffman A47C 7/70
297/113
- 5,374,108 A * 12/1994 Saul A47C 7/70
297/113

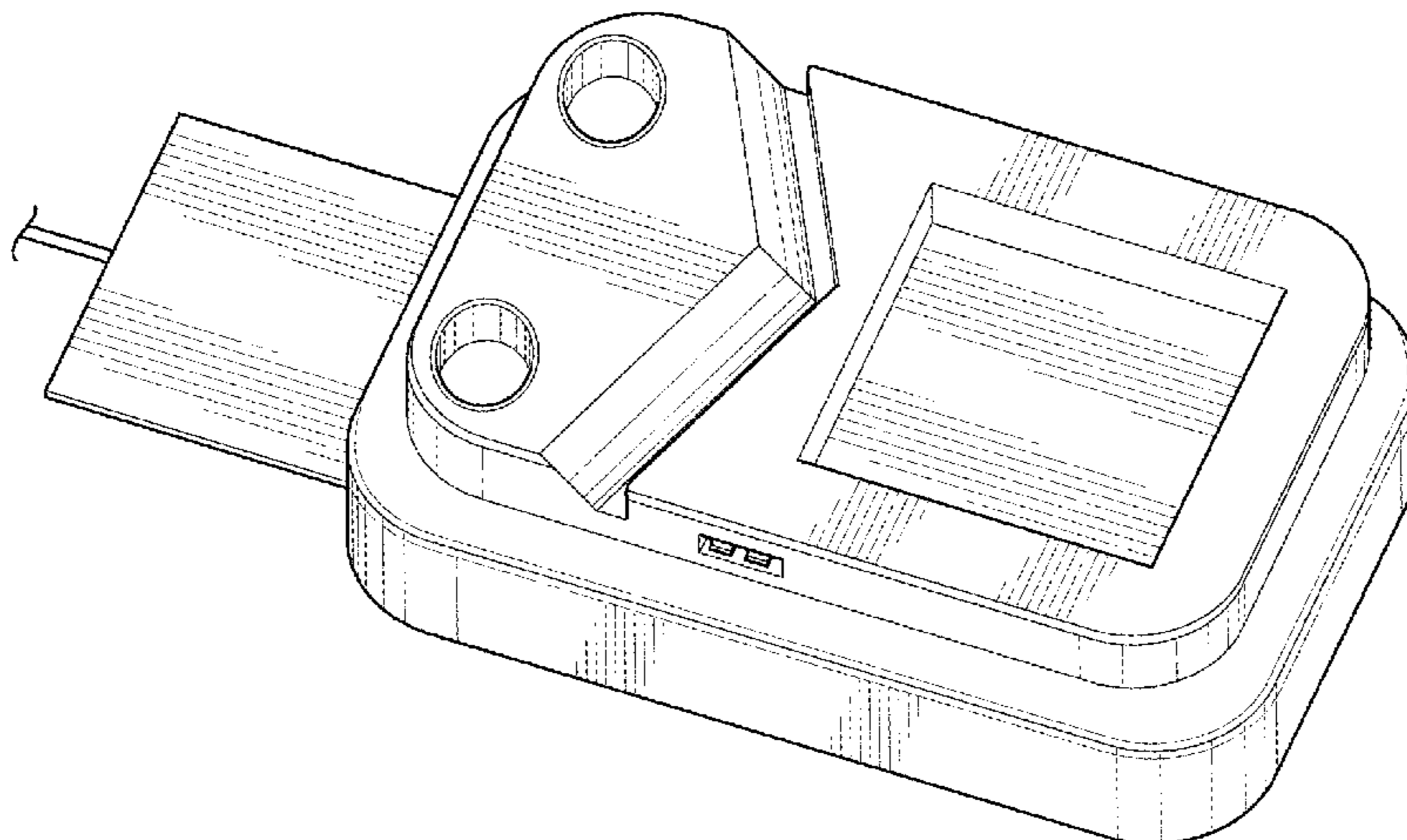
(57) **CLAIM**

The ornamental design for a multipurpose powered sofa console, as shown and described.

DESCRIPTION

FIG. 1 is a perspective view of the multipurpose powered sofa console showing my new design; FIG. 2 is a front elevation view thereof; FIG. 3 is a rear elevation view thereof; FIG. 4 is a right elevation view thereof; FIG. 5 is a left elevation view thereof; FIG. 6 is a top plan view thereof; and, FIG. 7 is a bottom plan view thereof.

1 Claim, 4 Drawing Sheets



(56)

References Cited

U.S. PATENT DOCUMENTS

D782,218 S *	3/2017	Dix	D6/336
2007/0113757 A1 *	5/2007	Lilly	A47B 23/002
				108/25
2009/0235458 A1 *	9/2009	Yarmer	A47G 9/1045
				5/639

* cited by examiner

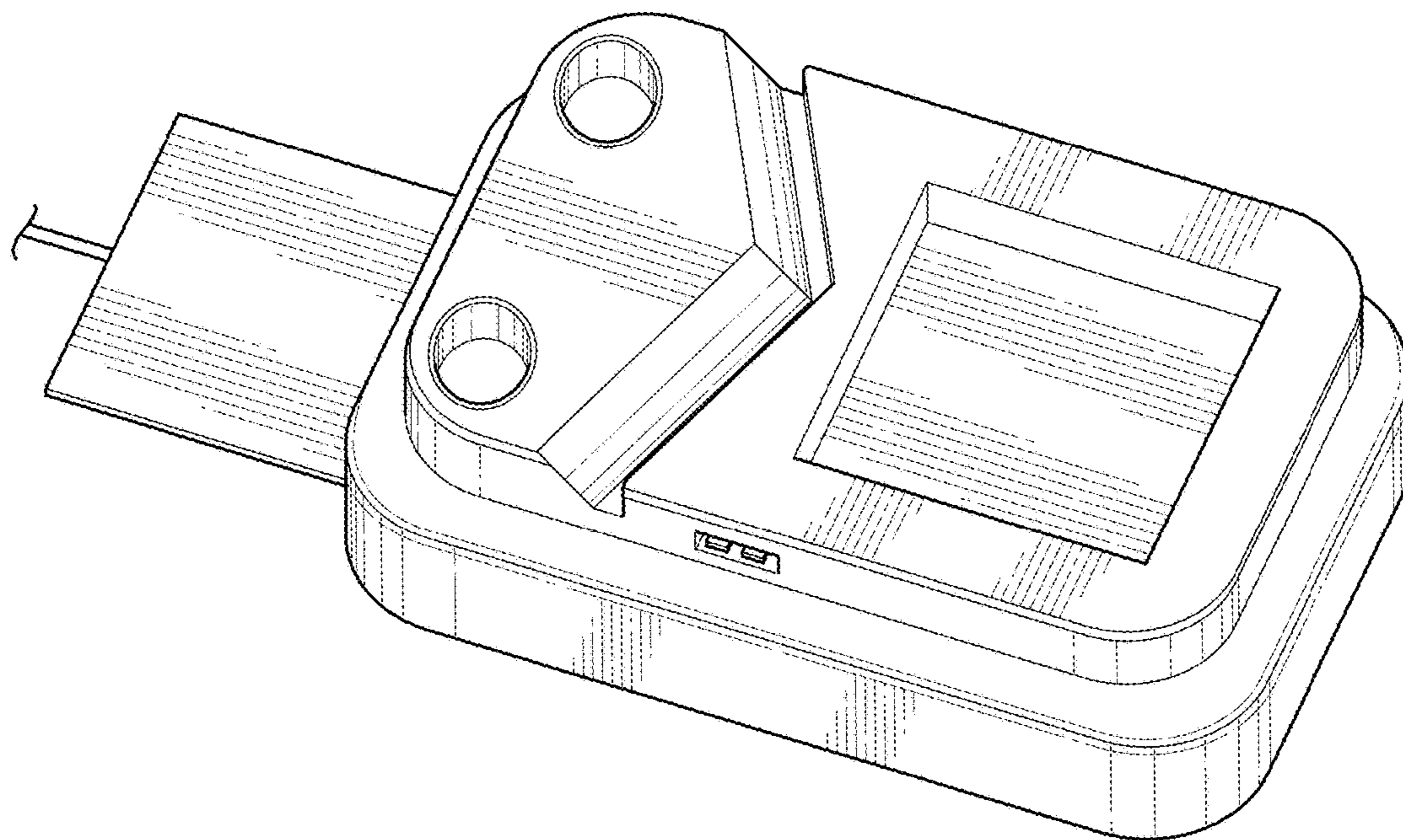


FIG. 1

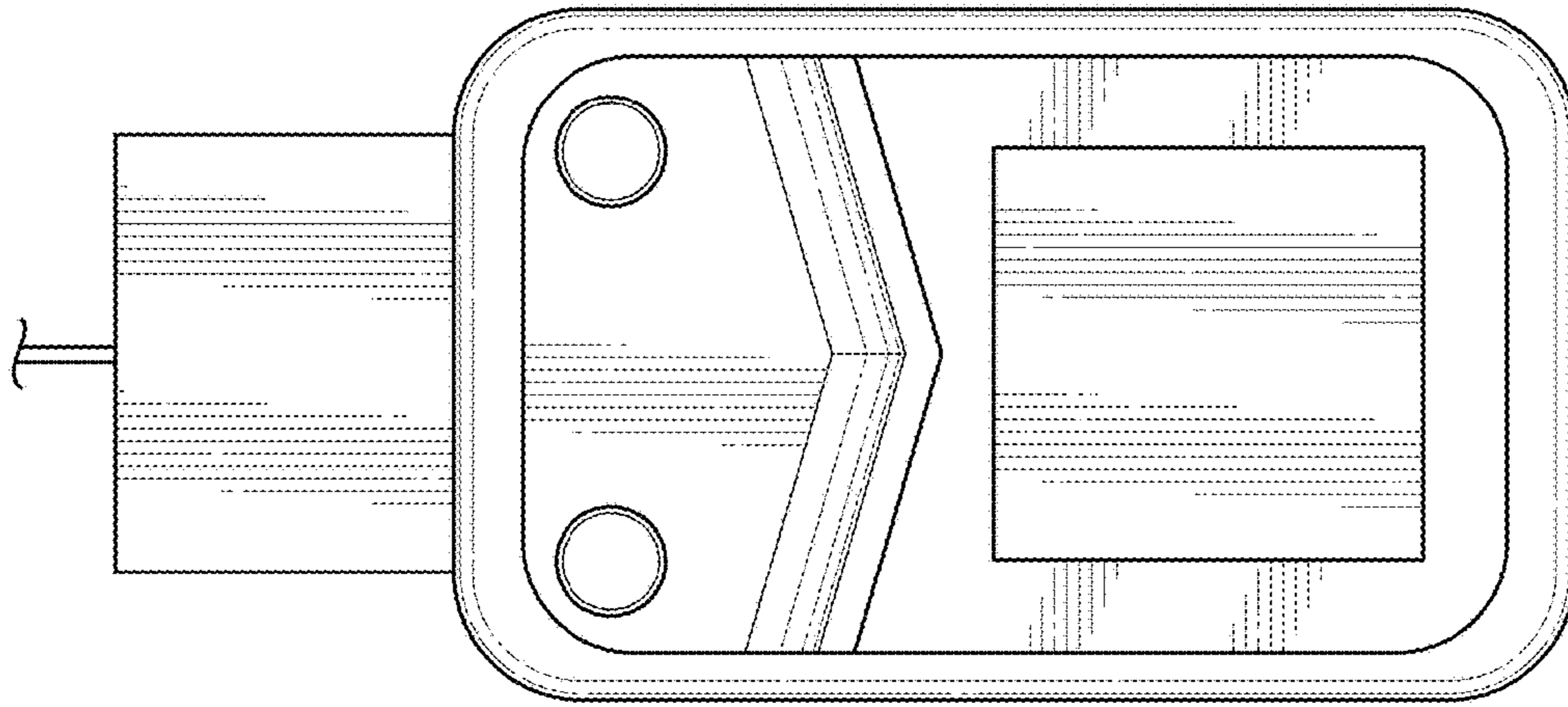


FIG. 2

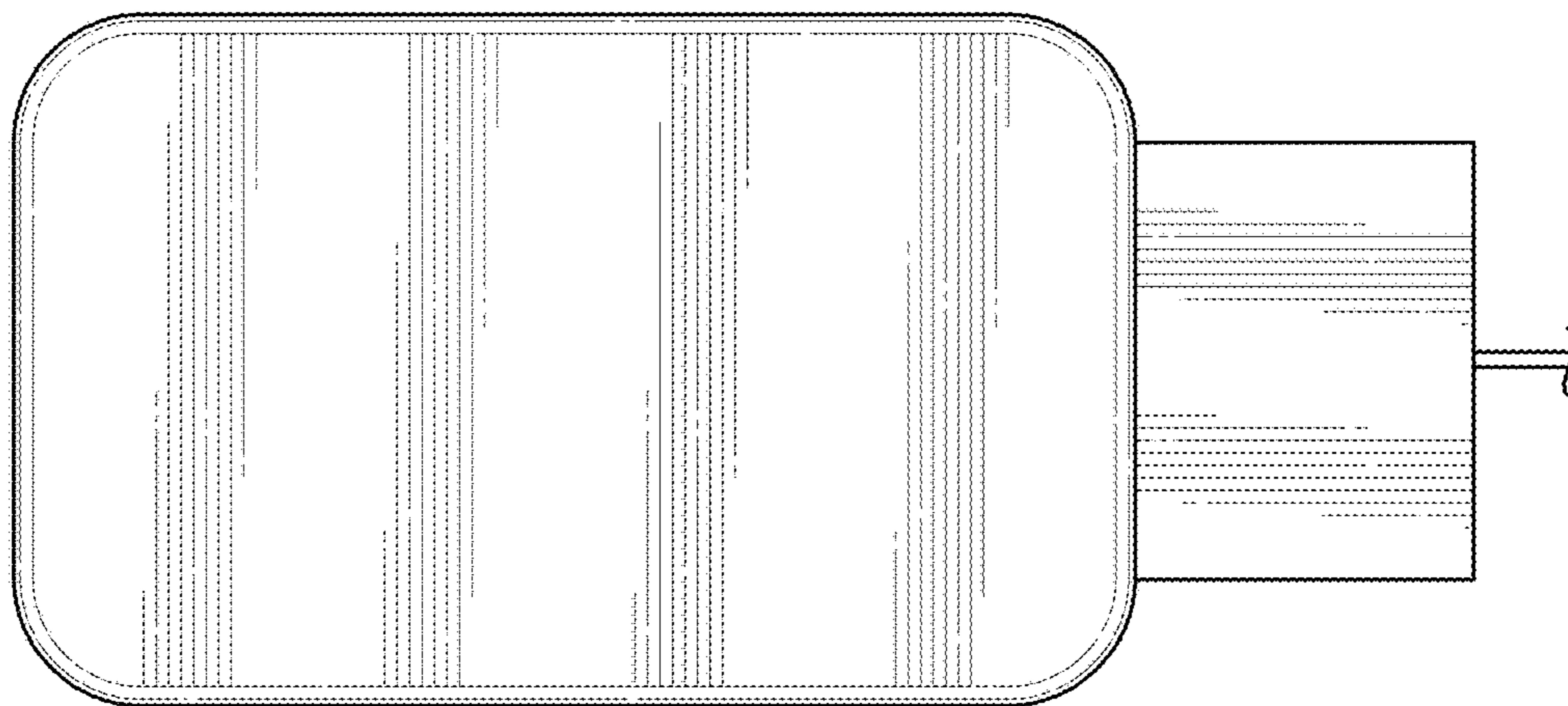


FIG. 3

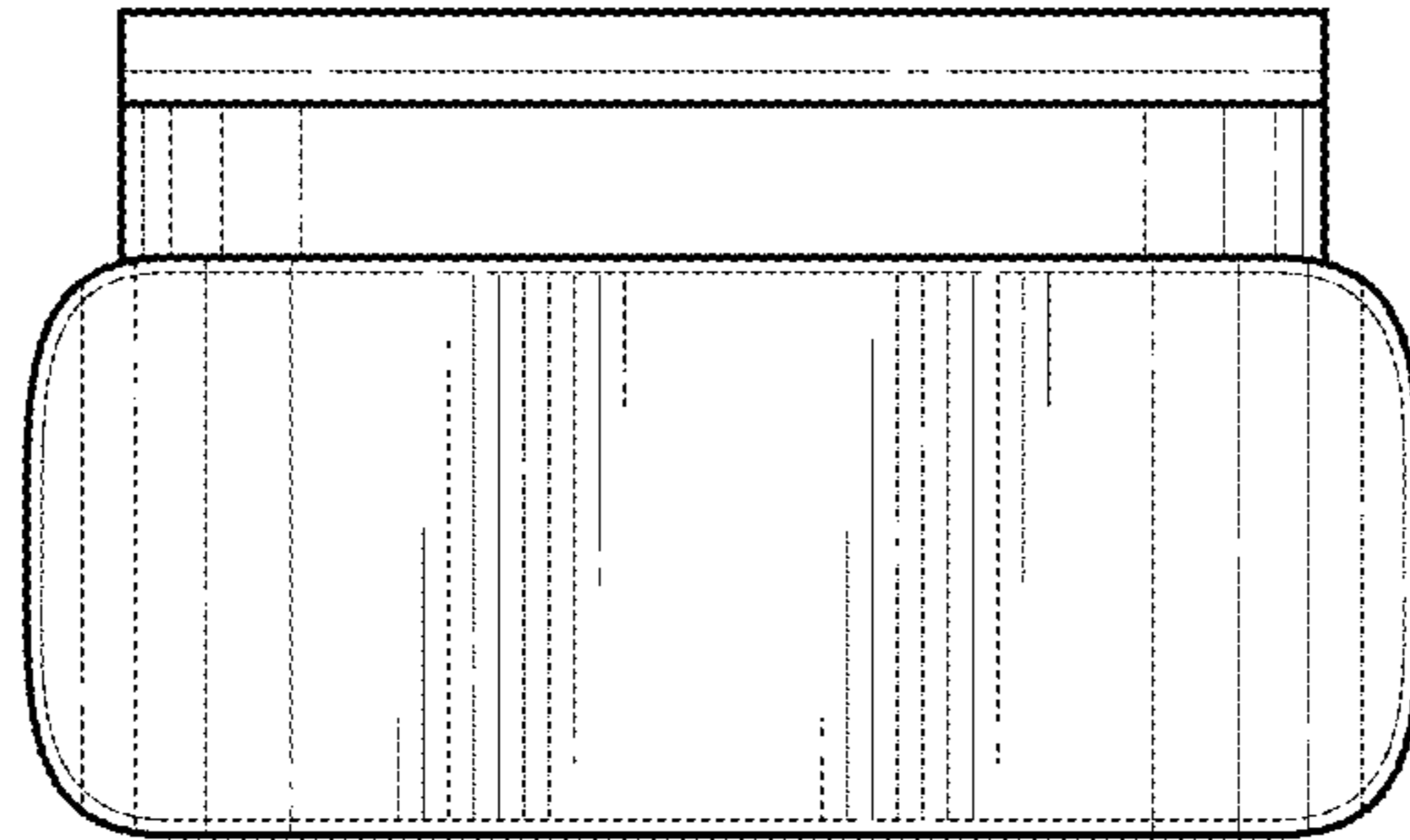


FIG. 4

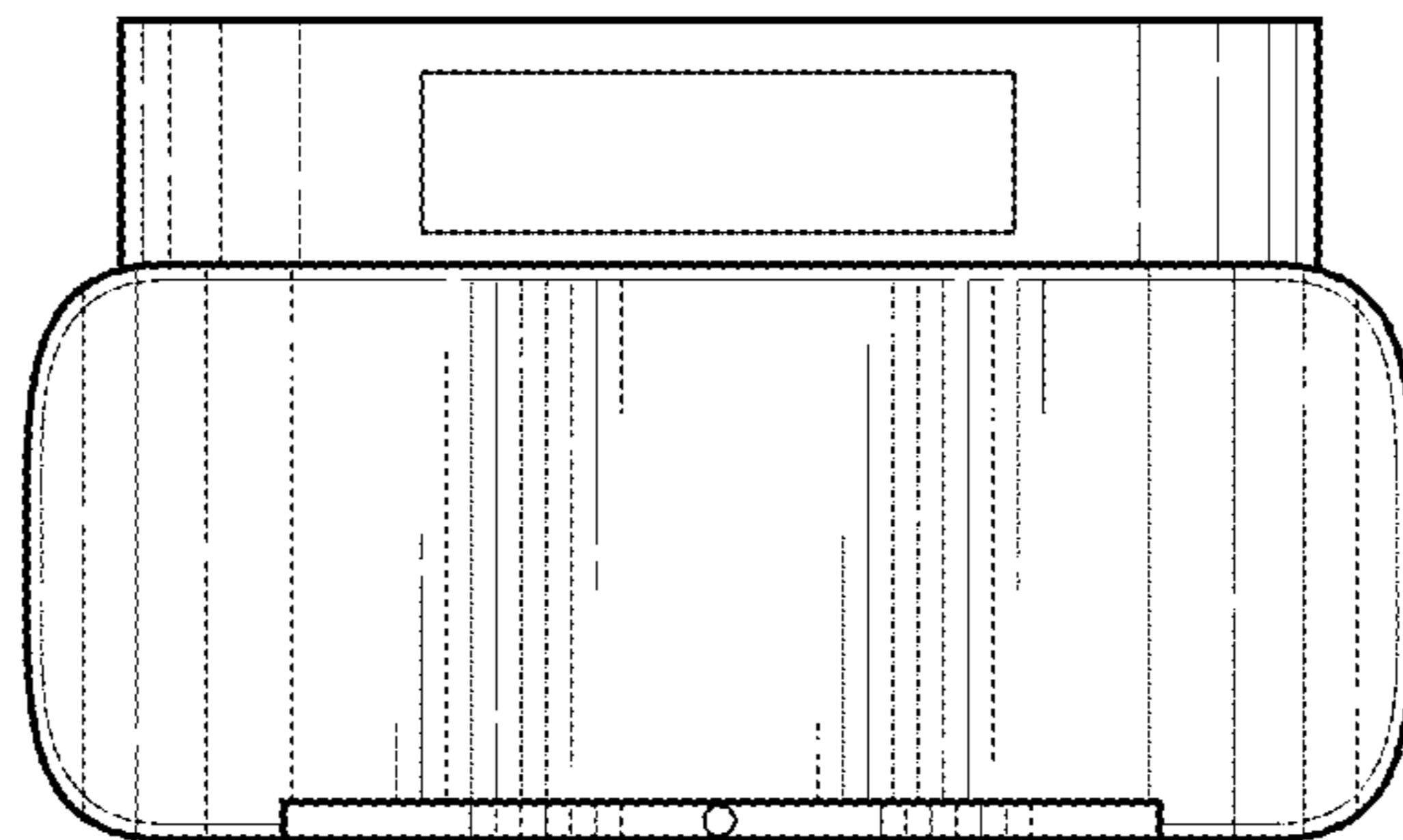


FIG. 5

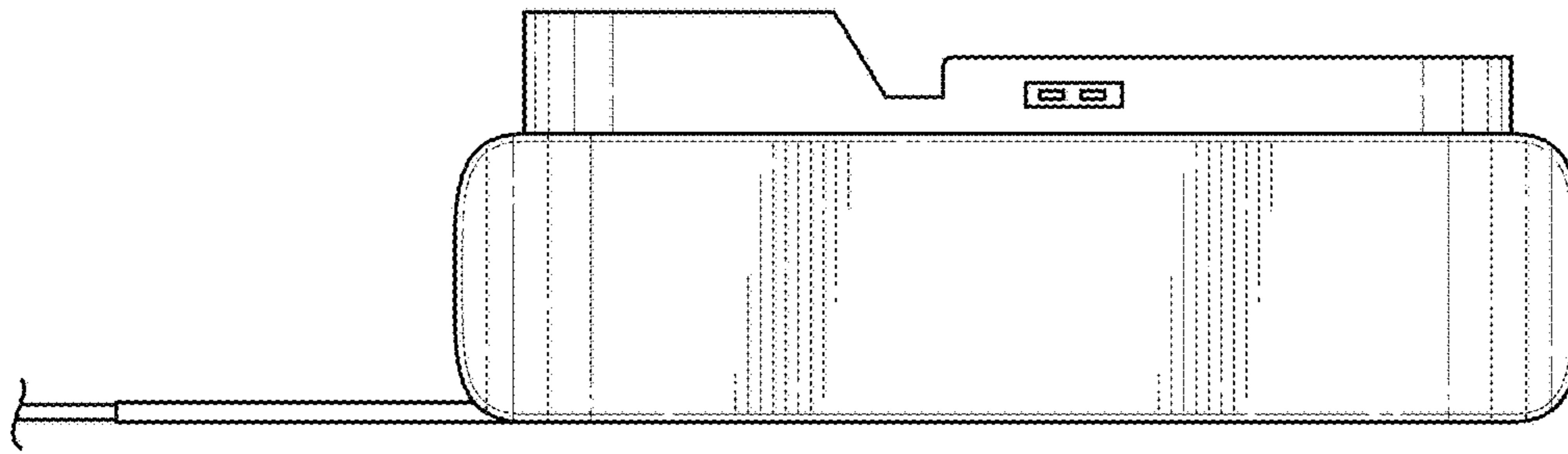


FIG. 6

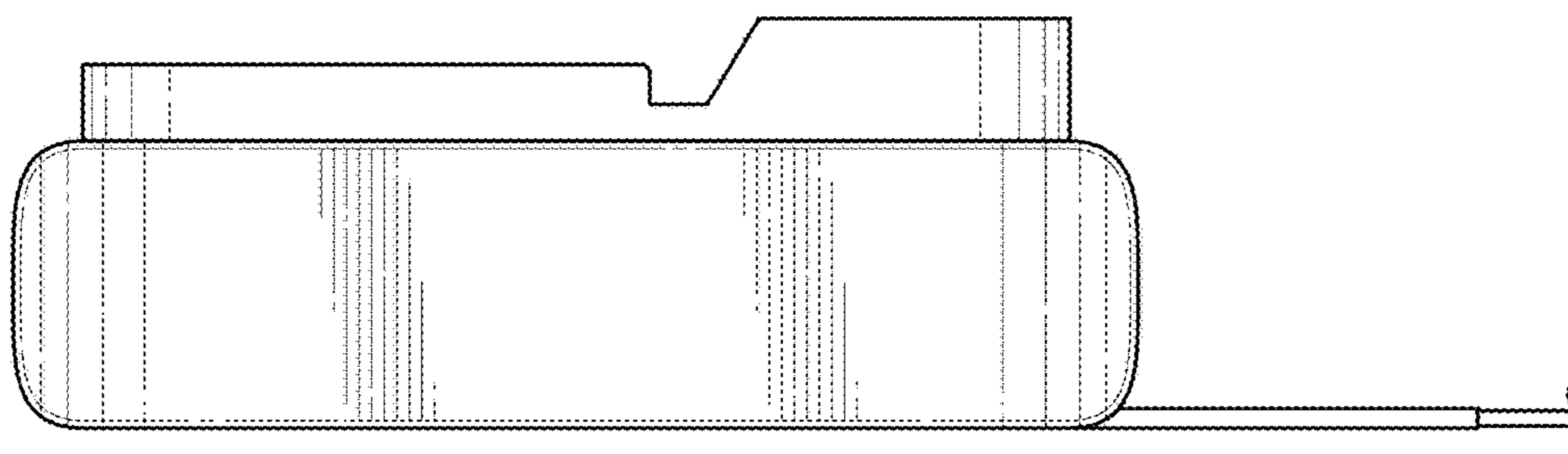


FIG. 7