



US00D821128S

(12) **United States Design Patent**  
**Pocci et al.**

(10) **Patent No.:** **US D821,128 S**  
(45) **Date of Patent:** **\*\* Jun. 26, 2018**

- (54) **TABLE**
- (71) Applicant: **B 4 LIVING SPA**, Camerano (IT)
- (72) Inventors: **Marco Pocci**, Colle di val d'Elsa (IT);  
**Claudio Dondoli**, Colle di val d'Elsa (IT)
- (73) Assignee: **B 4 LIVING SPA**, Camerano (IT)
- (\*\*) Term: **15 Years**
- (21) Appl. No.: **29/557,469**
- (22) Filed: **Mar. 9, 2016**
- (51) **LOC (11) Cl.** ..... **06-03**
- (52) **U.S. Cl.**  
USPC ..... **D6/692.3**
- (58) **Field of Classification Search**  
USPC ..... D6/349, 685, 690, 692, 692.1-692.6  
CPC ..... A47B 7/00; A47B 13/00; A47B 13/02;  
A47B 13/023; A47B 13/04; A47B 13/06;  
A47B 13/12; A47B 21/00  
See application file for complete search history.

8,375,870 B2 \* 2/2013 Hsieh ..... A47B 3/12  
108/122  
9,179,767 B2 \* 11/2015 Glenn, II ..... A47B 13/02  
D747,904 S \* 1/2016 Haynes ..... D6/692  
D799,866 S \* 10/2017 Pocci ..... D6/691.2  
2015/0208798 A1 \* 7/2015 Glenn, II ..... A47B 13/02  
108/158.11

\* cited by examiner

*Primary Examiner* — Mary Ann Calabrese  
(74) *Attorney, Agent, or Firm* — Egbert Law Offices, PLLC

(57) **CLAIM**

The ornamental design for a table, as shown and described.

**DESCRIPTION**

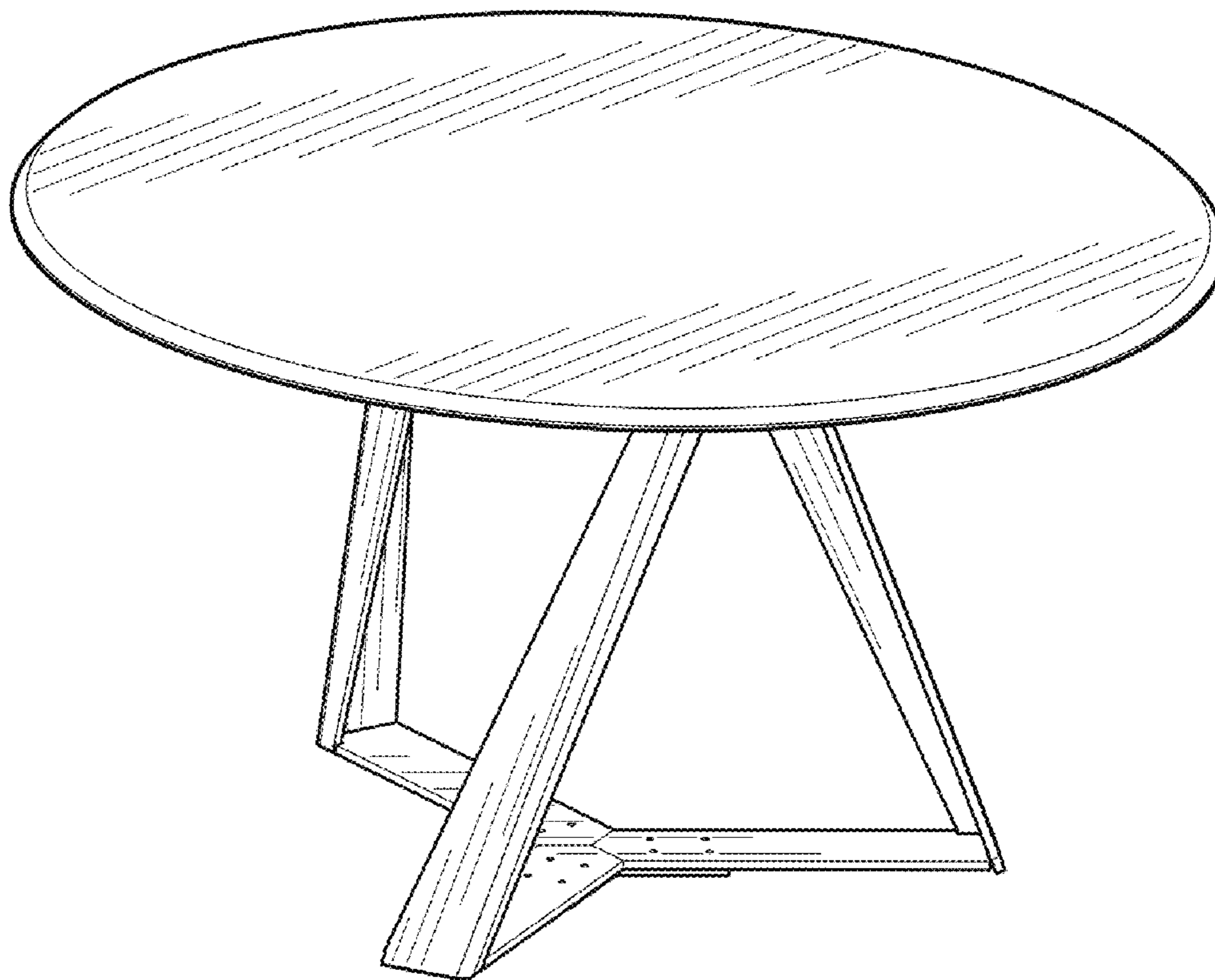
FIG. 1 is a front perspective view of a table showing our new design.  
 FIG. 2 is a rear perspective view thereof;  
 FIG. 3 is a side view thereof;  
 FIG. 4 is an opposite side view thereof;  
 FIG. 5 is a front view thereof;  
 FIG. 6 is a rear view thereof;  
 FIG. 7 is a top view thereof; and,  
 FIG. 8 is a bottom view thereof.  
 The features presented in broken lines represent unclaimed portions of the table and form no part of the claimed design.

(56) **References Cited**

U.S. PATENT DOCUMENTS

- D247,402 S \* 3/1978 Cohen ..... D6/680.3
- D258,105 S \* 2/1981 Baker ..... D6/692.5

**1 Claim, 4 Drawing Sheets**



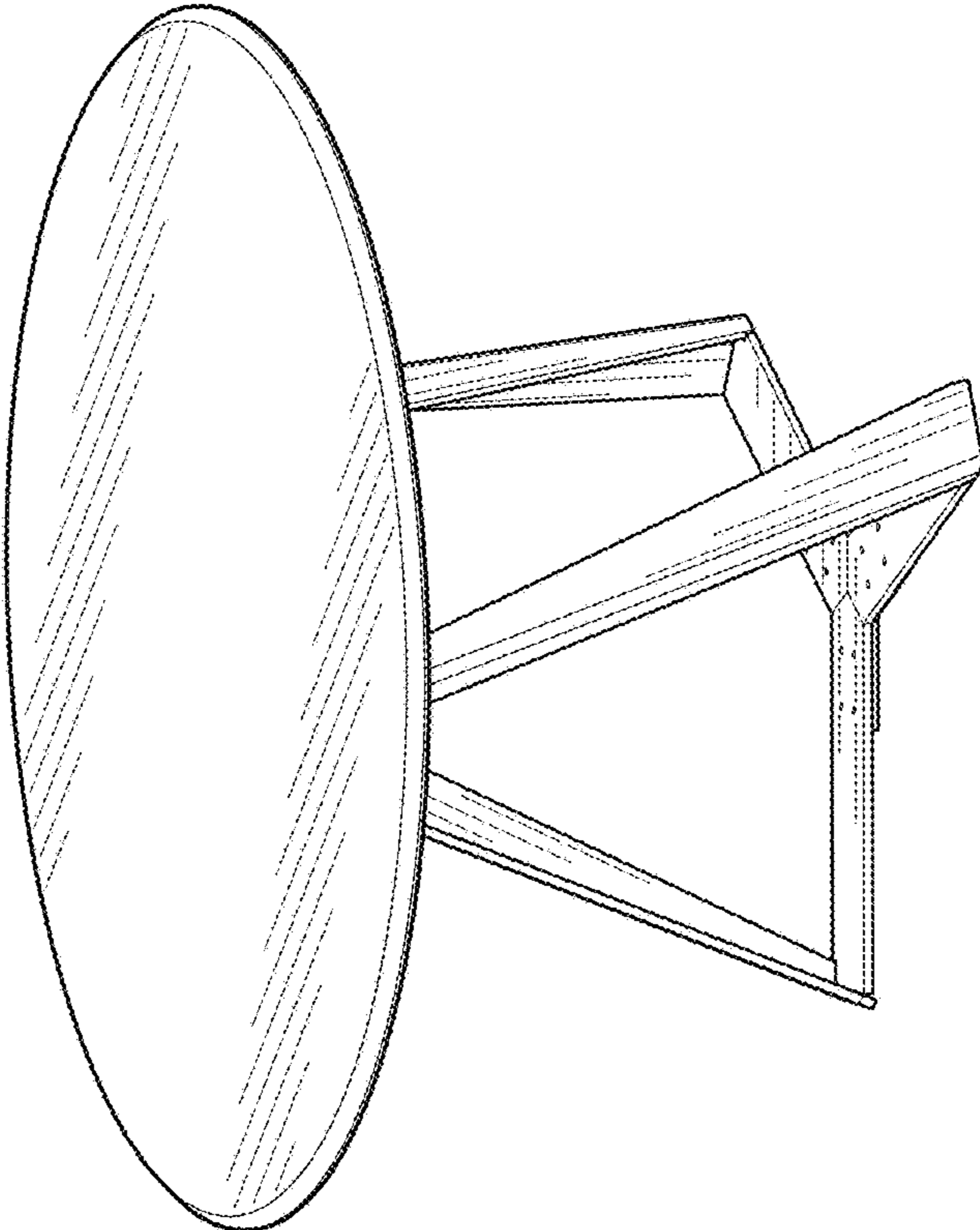


FIG. 1

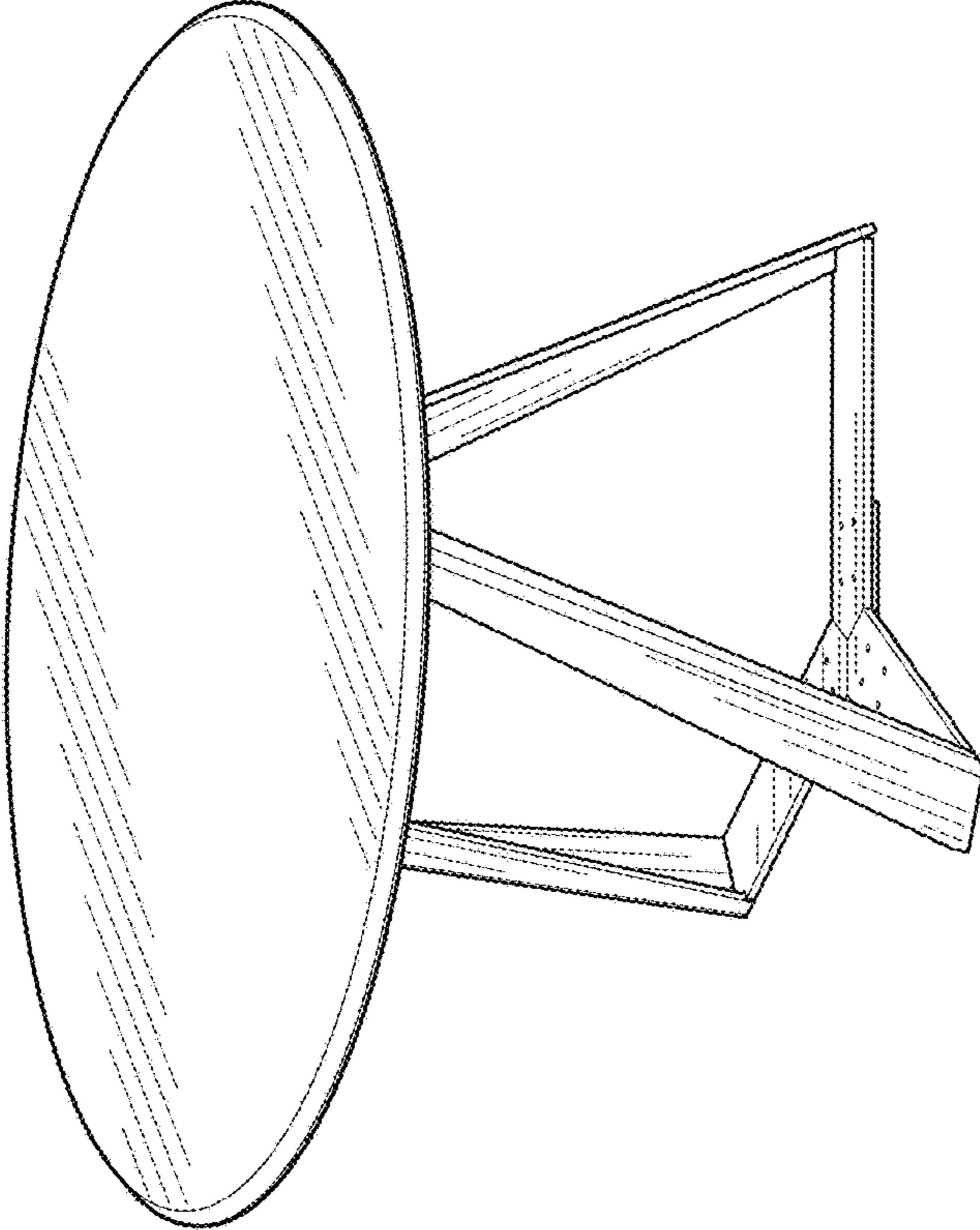


FIG. 2

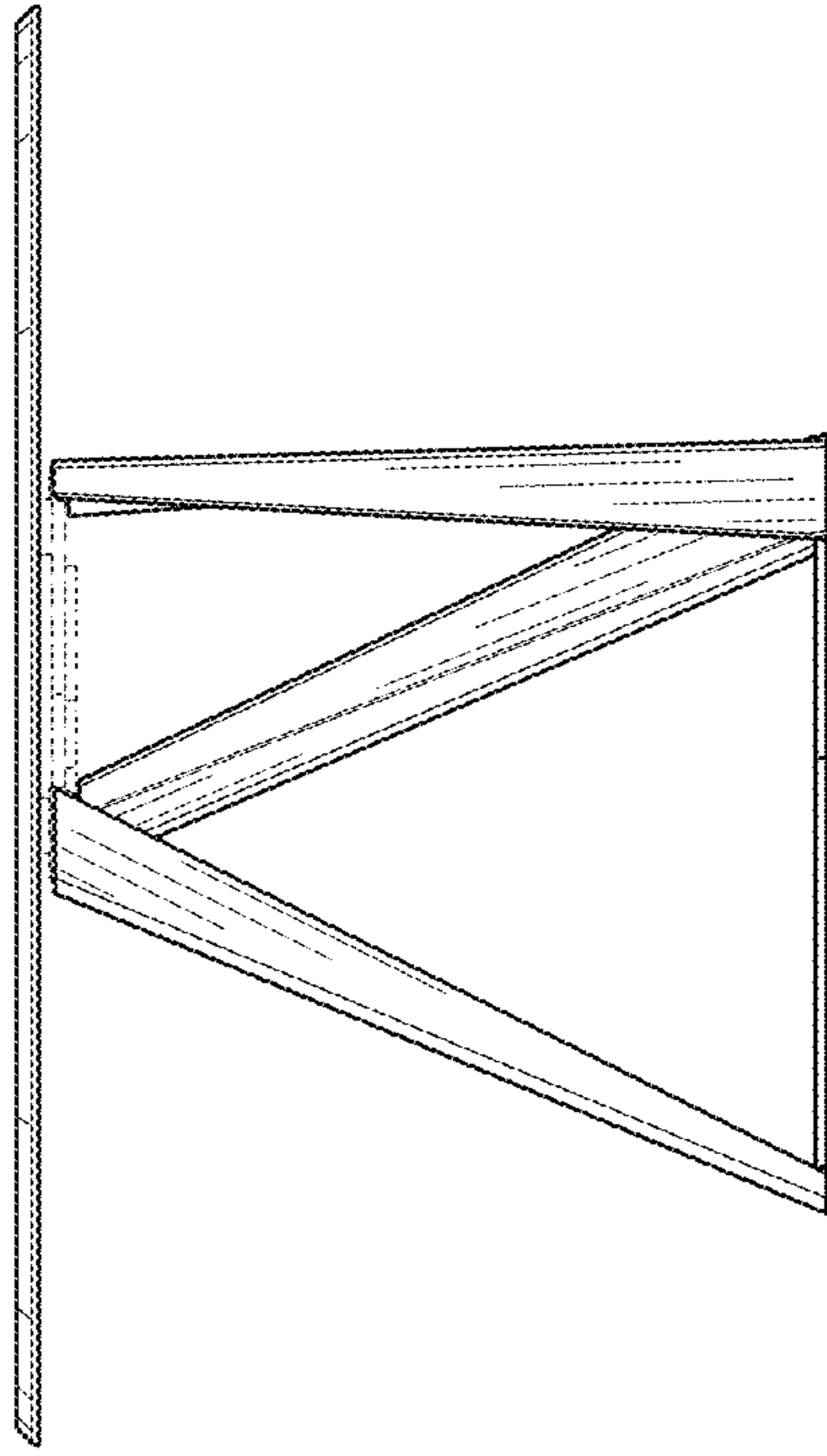


FIG. 4

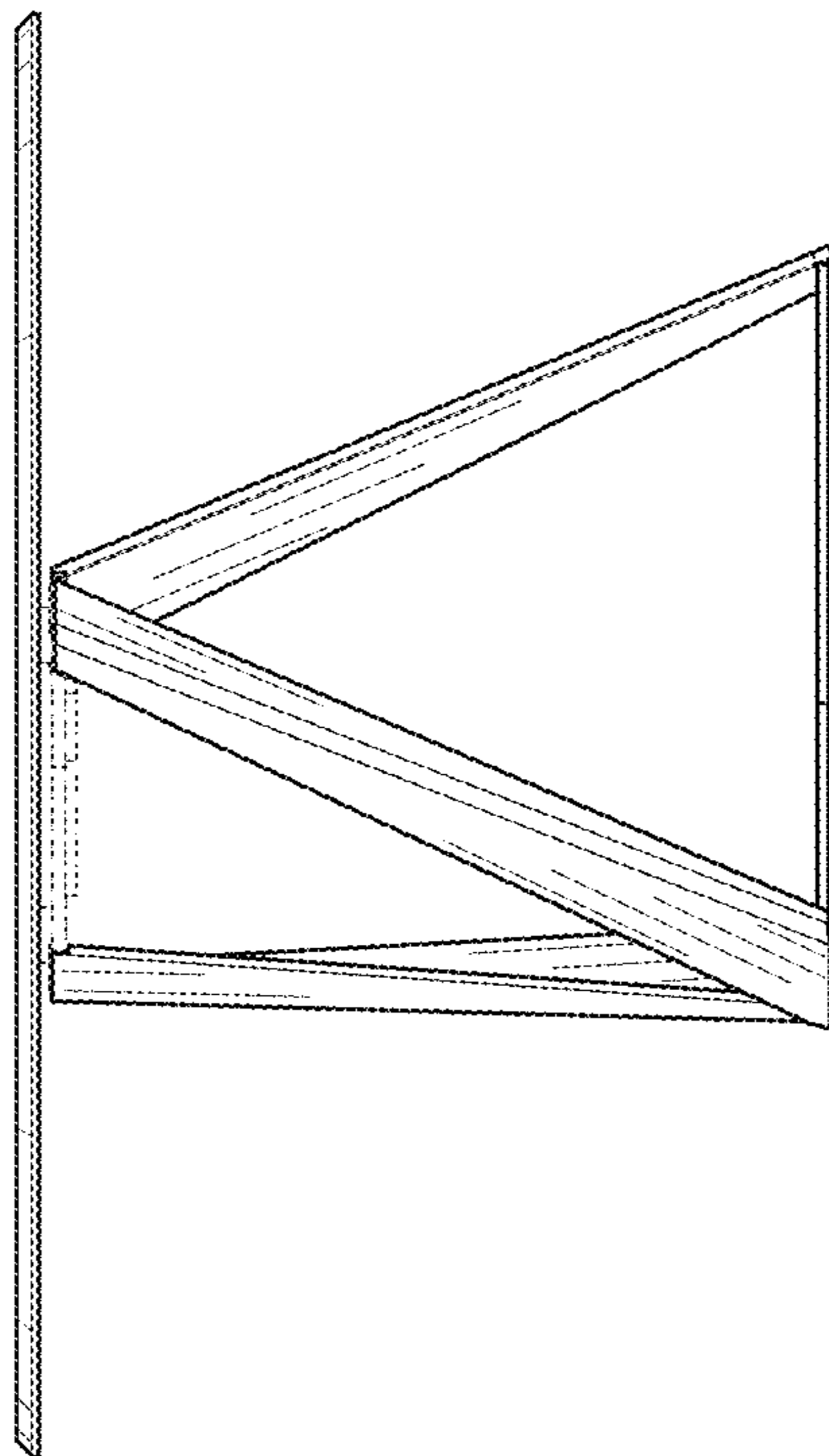


FIG. 3

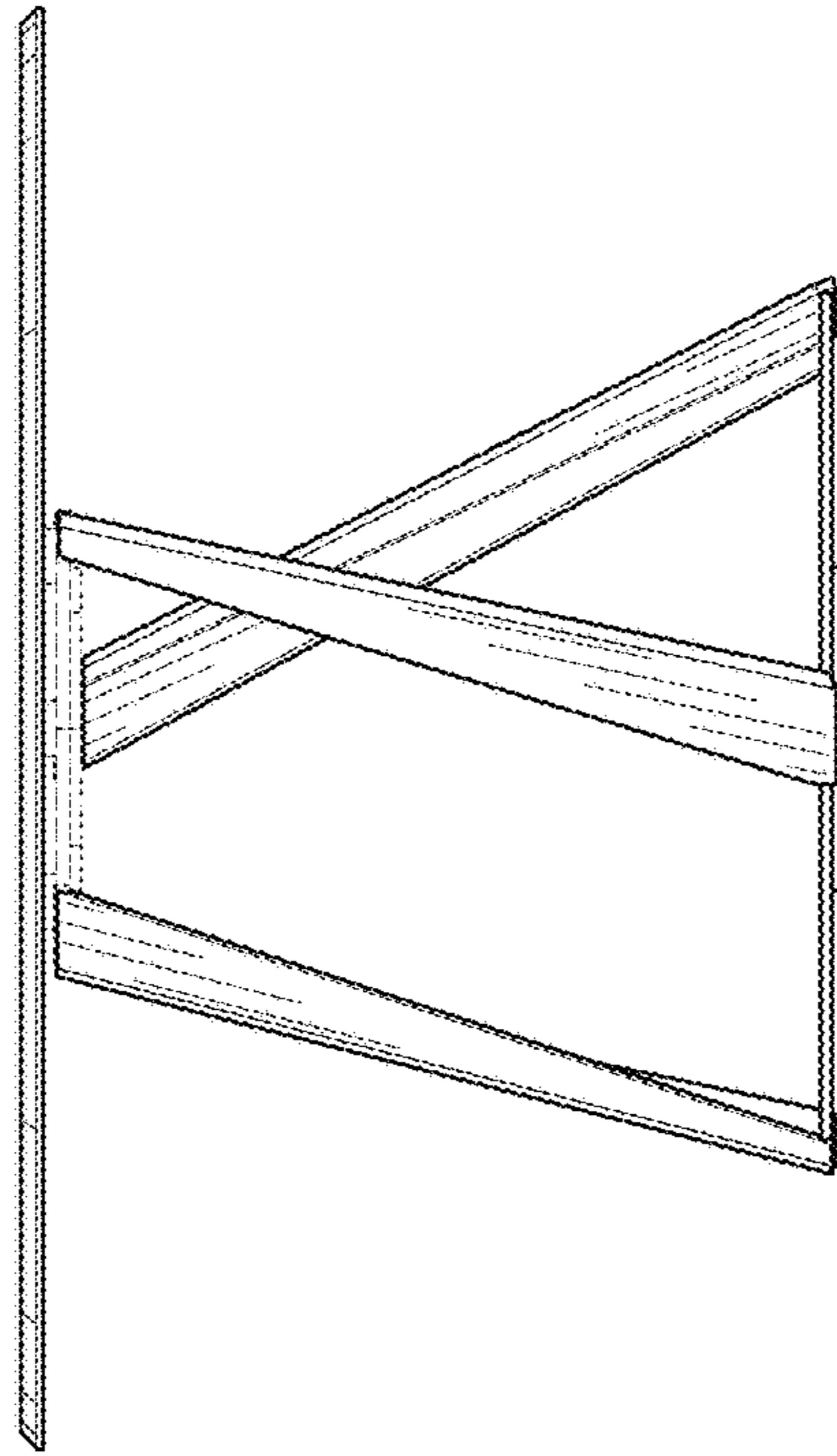


FIG. 6

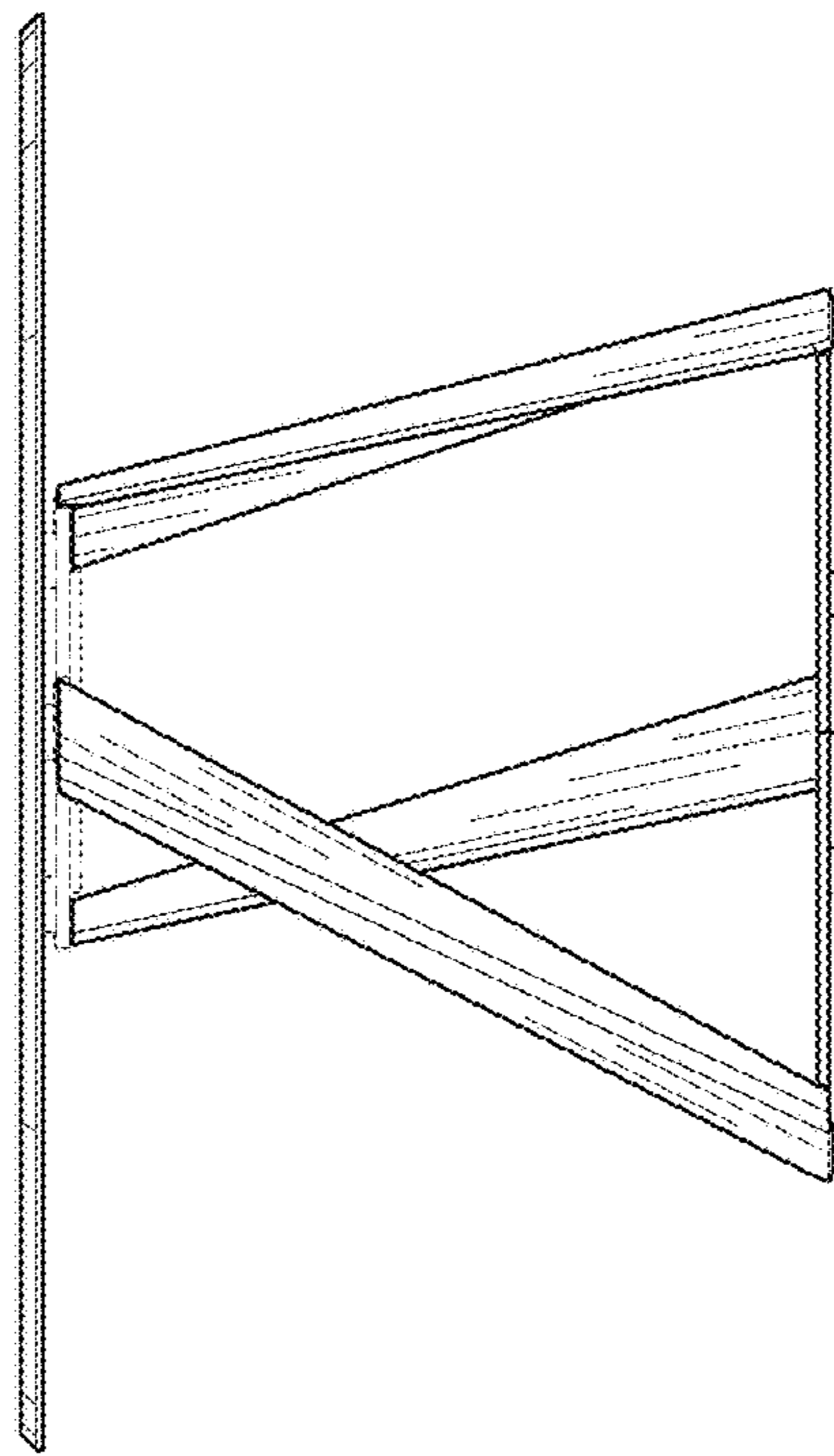


FIG. 5

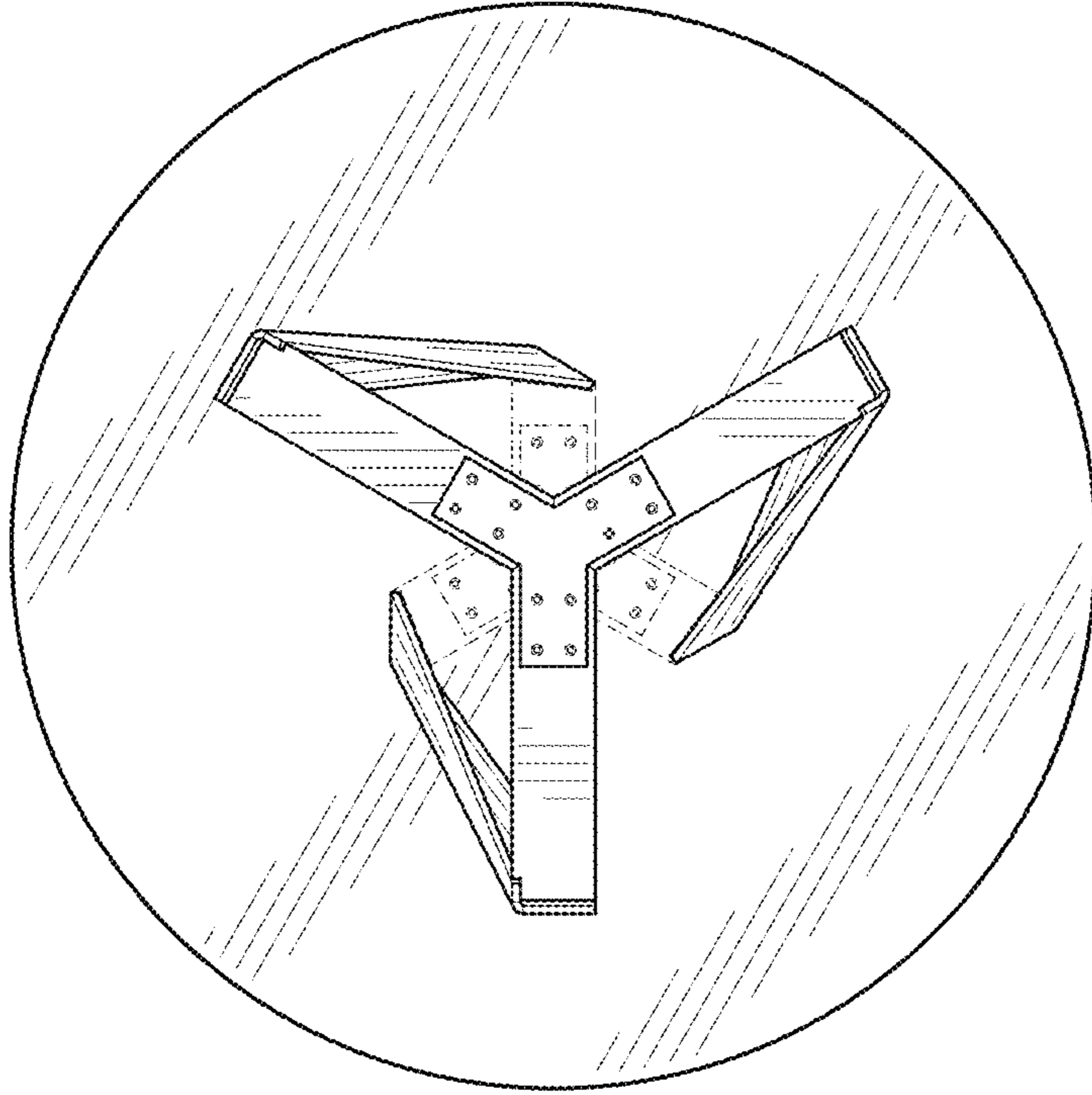


FIG. 8

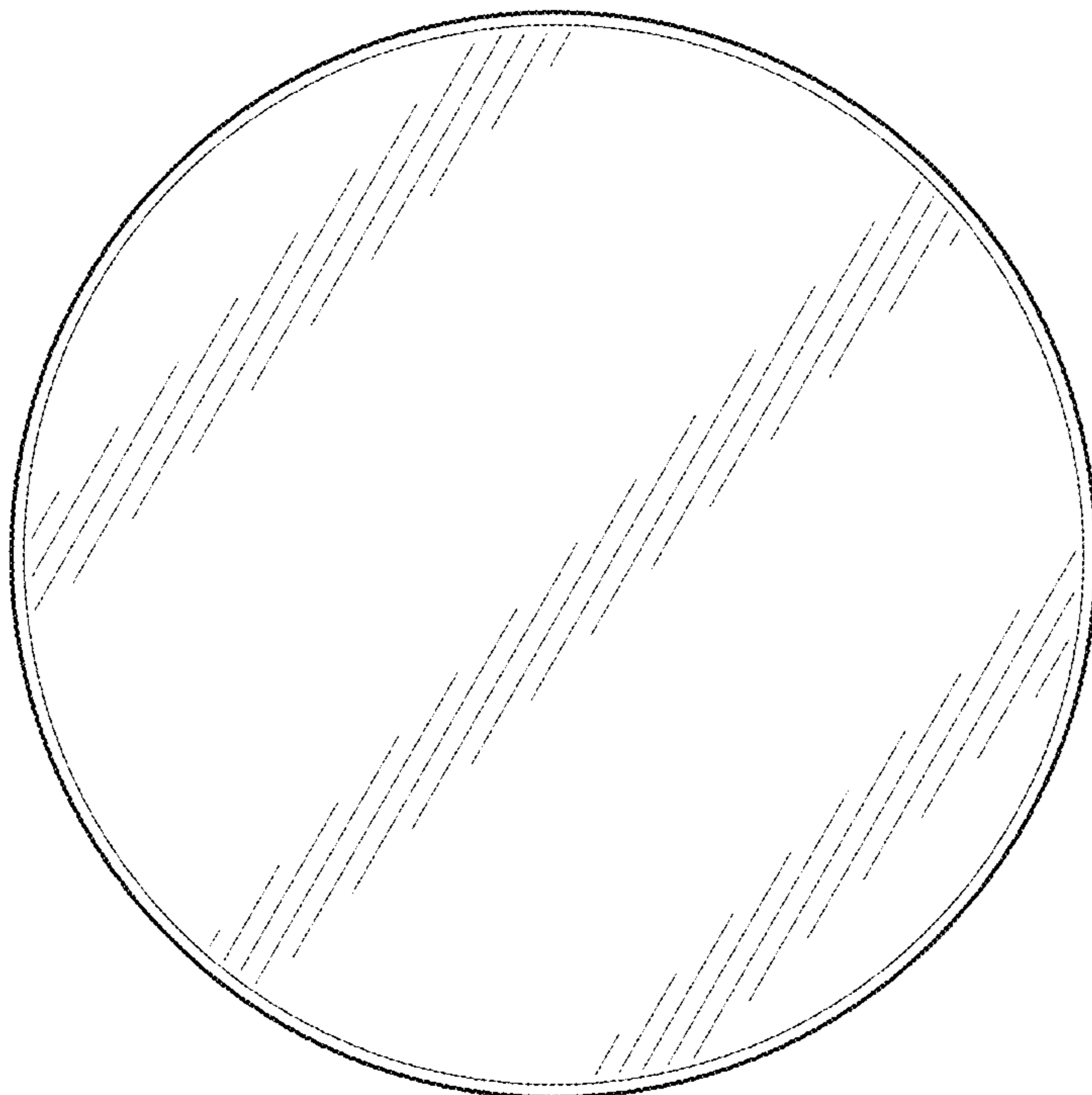


FIG. 7