



US00D821126S

(12) **United States Design Patent**
Hendifar et al.

(10) **Patent No.:** **US D821,126 S**
(45) **Date of Patent:** **** Jun. 26, 2018**

- (54) **SIDE TABLE**
- (71) Applicant: **APPARATUS, LLC**, New York, NY (US)
- (72) Inventors: **Gabriel Hendifar**, Rhinebeck, NY (US); **Jeremy R. Anderson**, Rhinebeck, NY (US)
- (73) Assignee: **APPARATUS LLC**, New York, NY (US)
- (**) Term: **15 Years**
- (21) Appl. No.: **29/598,379**
- (22) Filed: **Mar. 24, 2017**
- (51) **LOC (11) Cl.** **06-03**
- (52) **U.S. Cl.**
USPC **D6/691**
- (58) **Field of Classification Search**
USPC D6/686, 691, 691.1-691.9, 692, 707.12, D6/707.18, 707.19, 708, 708.16, 708.17, D6/709, 709.18, 709.19
CPC .. A47B 37/00; A47B 3/00; A47B 1/00; A47B 3/06; A47B 3/08; A47B 7/00; A47B 21/00; A47B 23/00; A47B 25/00; A47B 13/08; A47B 3/083; A47B 3/14; A47B 41/00; A47B 17/00; A47B 3/0809; A47B 3/0812; A47B 2013/026; A47B 2200/03; A47B 2200/00; A47B 2003/0821; A47C 3/045
See application file for complete search history.

- 4,069,769 A * 1/1978 Abrams A47B 7/00 108/11
- D276,675 S * 12/1984 Hamami D6/691
- D277,351 S * 1/1985 Offredi D6/691
- D277,438 S * 2/1985 Passarello D6/691
- D342,848 S * 1/1994 Armstrong D6/691
- D514,356 S * 2/2006 Ng D6/691
- D654,290 S * 2/2012 Ernst D6/691.5

OTHER PUBLICATIONS

Apparatus, posted at Apparatusstudio.com, posted on May 27, 2017, site visited Apr. 26, 2018. online, available from internet: (Year: 2017).*

* cited by examiner

Primary Examiner — Mary Ann Calabrese

Assistant Examiner — Catherine Ho

(74) *Attorney, Agent, or Firm* — Gottlieb, Rackman & Reisman, P.C.

(57) **CLAIM**

The ornamental design for a side table, as shown and described.

DESCRIPTION

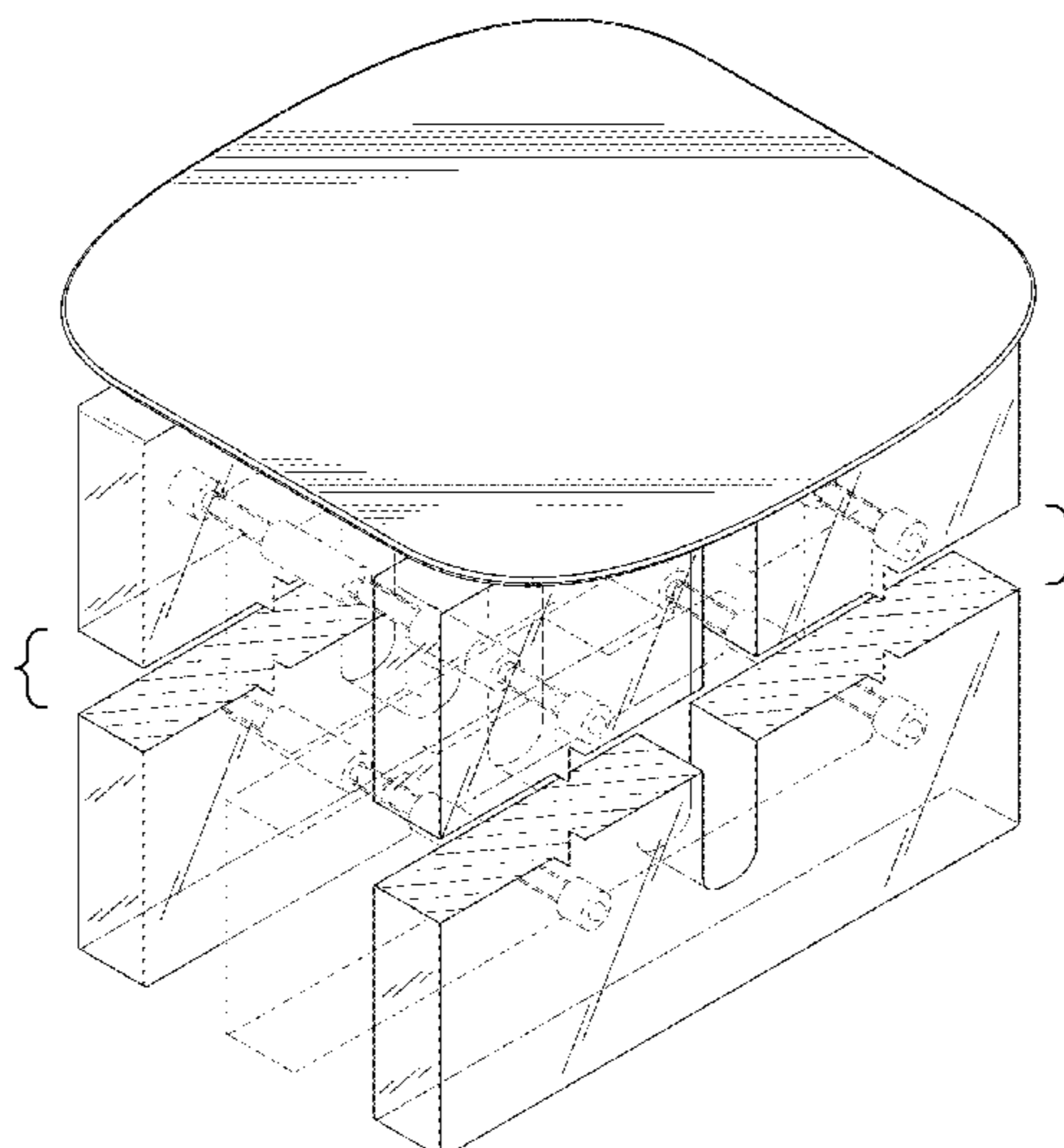
FIG. 1 is a perspective view of the side table showing my new design;
 FIG. 2 is a right side elevational view thereof, the left side elevational view being a mirror image;
 FIG. 3 a front elevational view thereof, the rear elevational view being a mirror image;
 FIG. 4 is a top plan view thereof; and,
 FIG. 5 is a bottom plan view thereof.
 The side table is shown with a symbolic break in its legs, represented by jagged lines. The appearance of any portion of the article between the jagged lines forms no part of the claimed design. The broken line portion of the figure drawings is included to show portions of the article that form no part of the claimed design.

1 Claim, 5 Drawing Sheets

(56) **References Cited**

U.S. PATENT DOCUMENTS

- D229,652 S * 12/1973 Brooke, Jr. D6/691
- D236,400 S * 8/1975 Waitzman D6/691
- D242,002 S * 10/1976 Faber D6/691
- D242,003 S * 10/1976 Faber D6/691
- D242,006 S * 10/1976 Faber D6/691
- D244,334 S * 5/1977 Ferguson D6/655.21



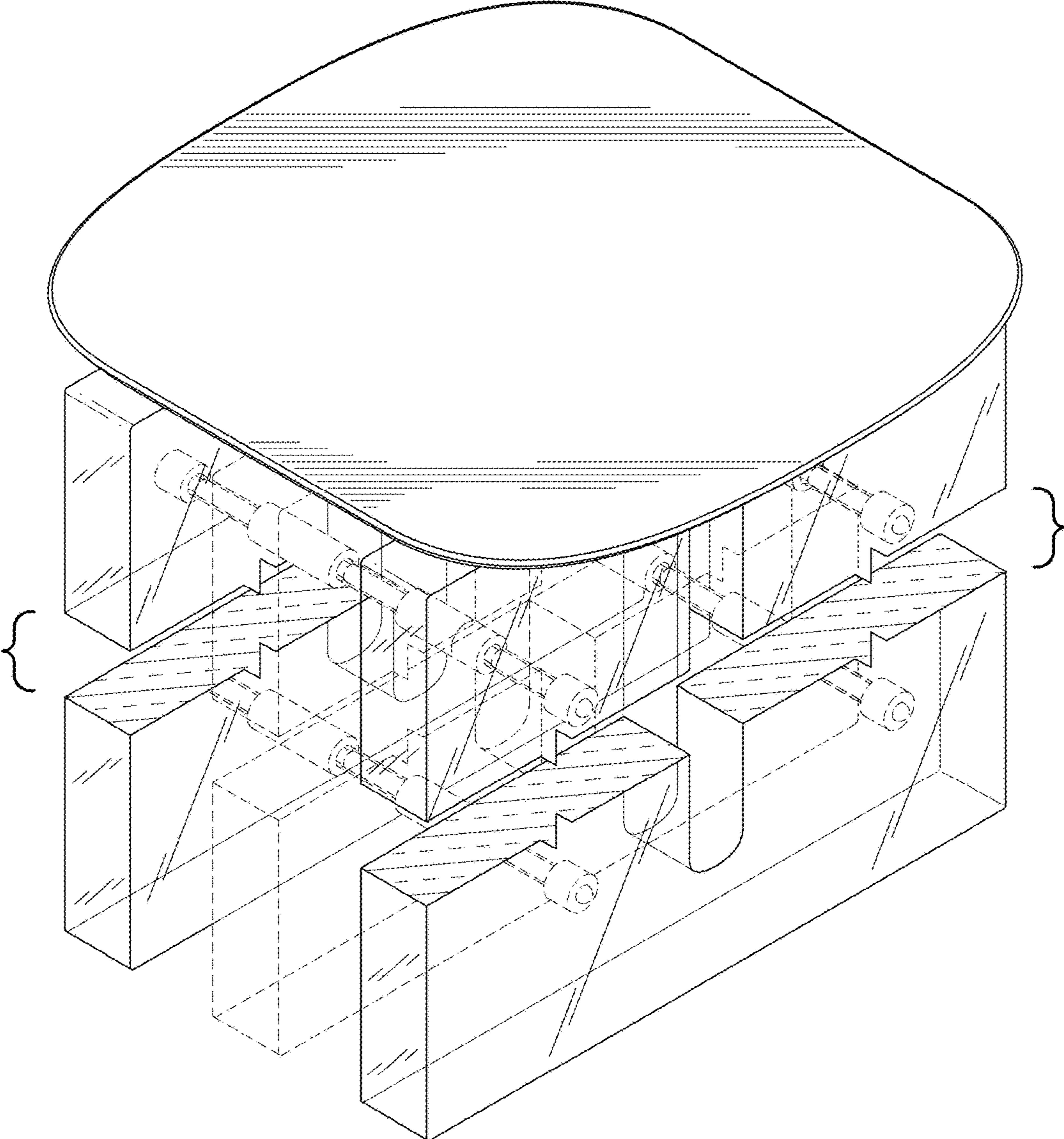


FIG. 1

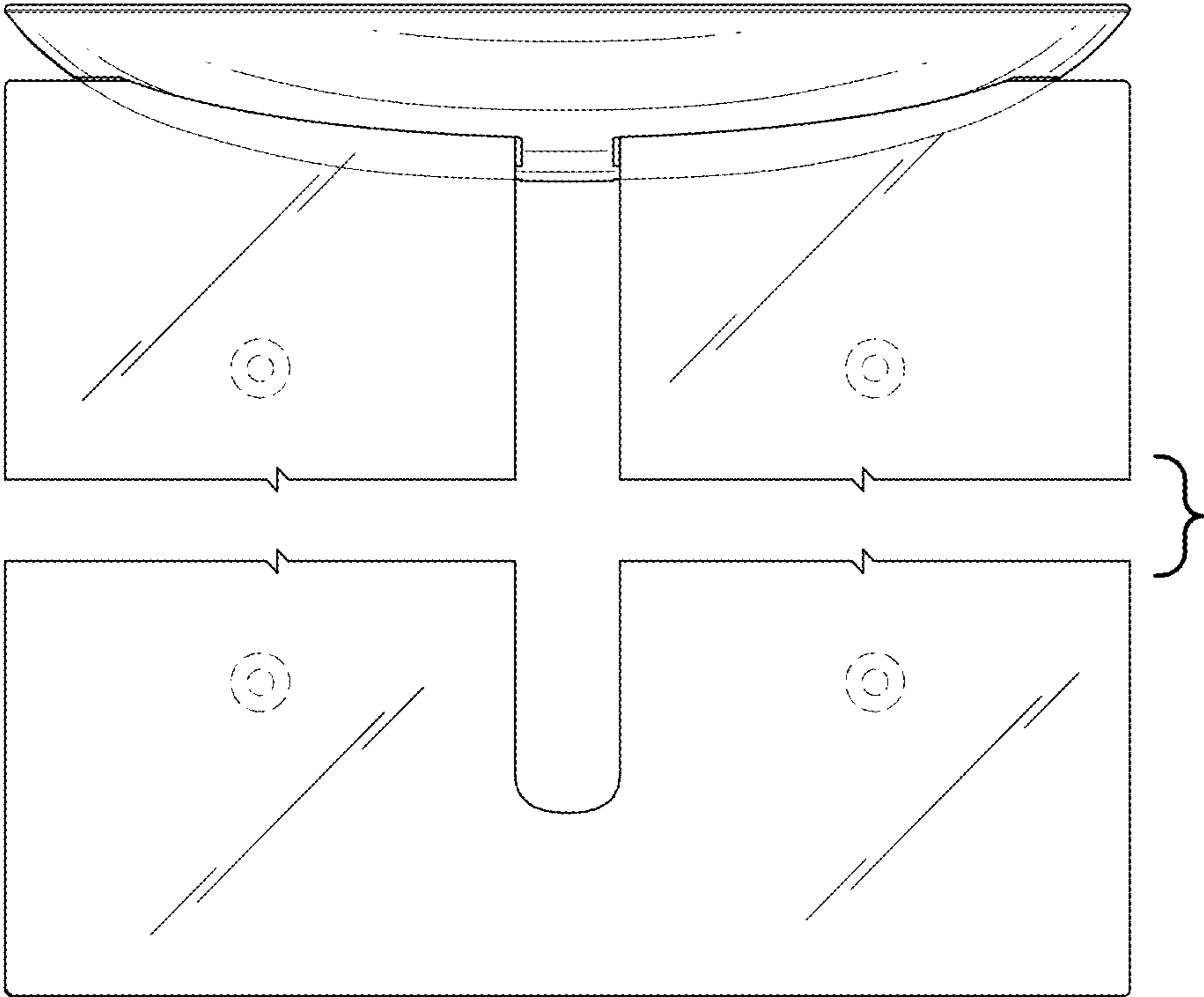


FIG.2

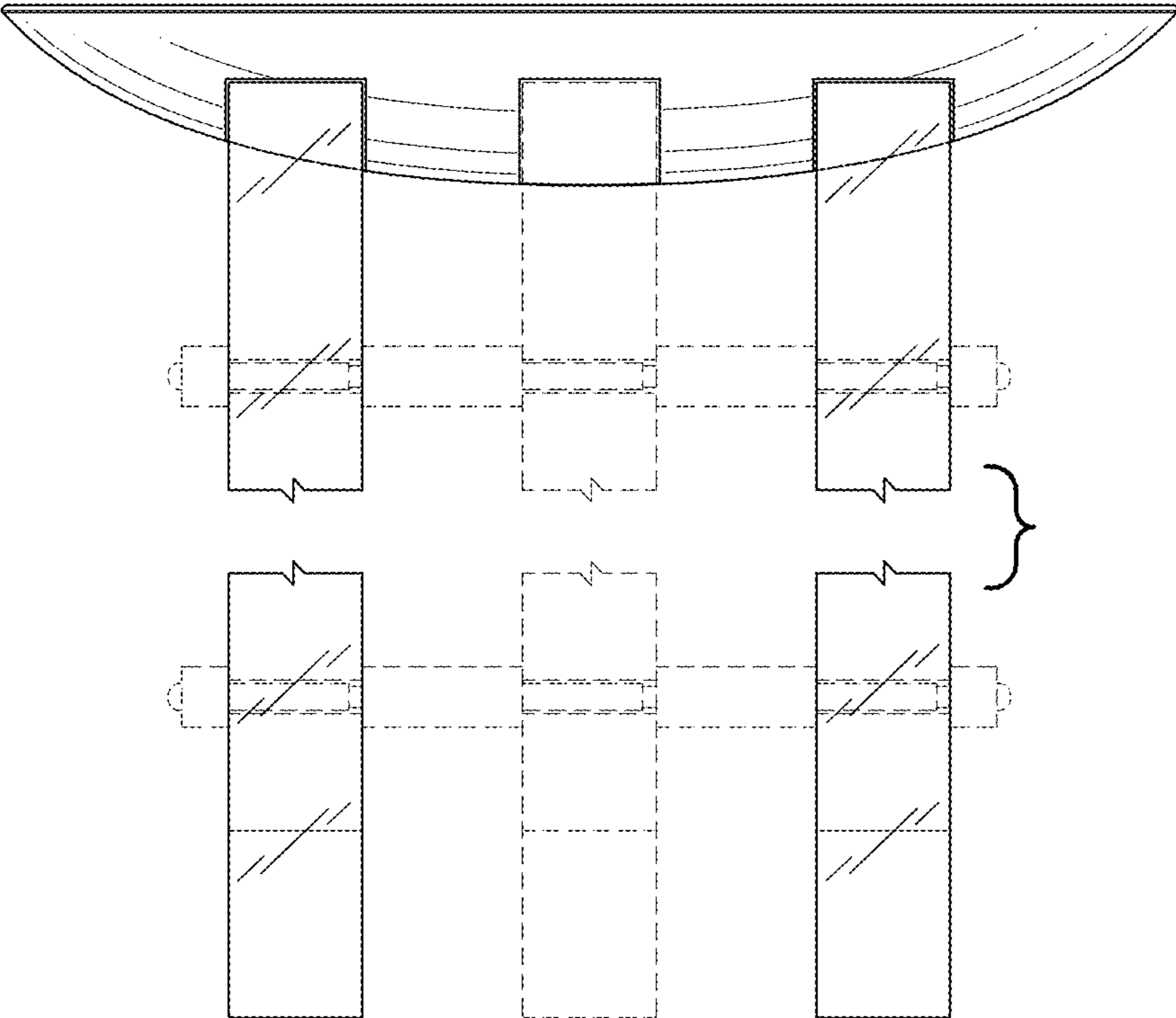


FIG. 3

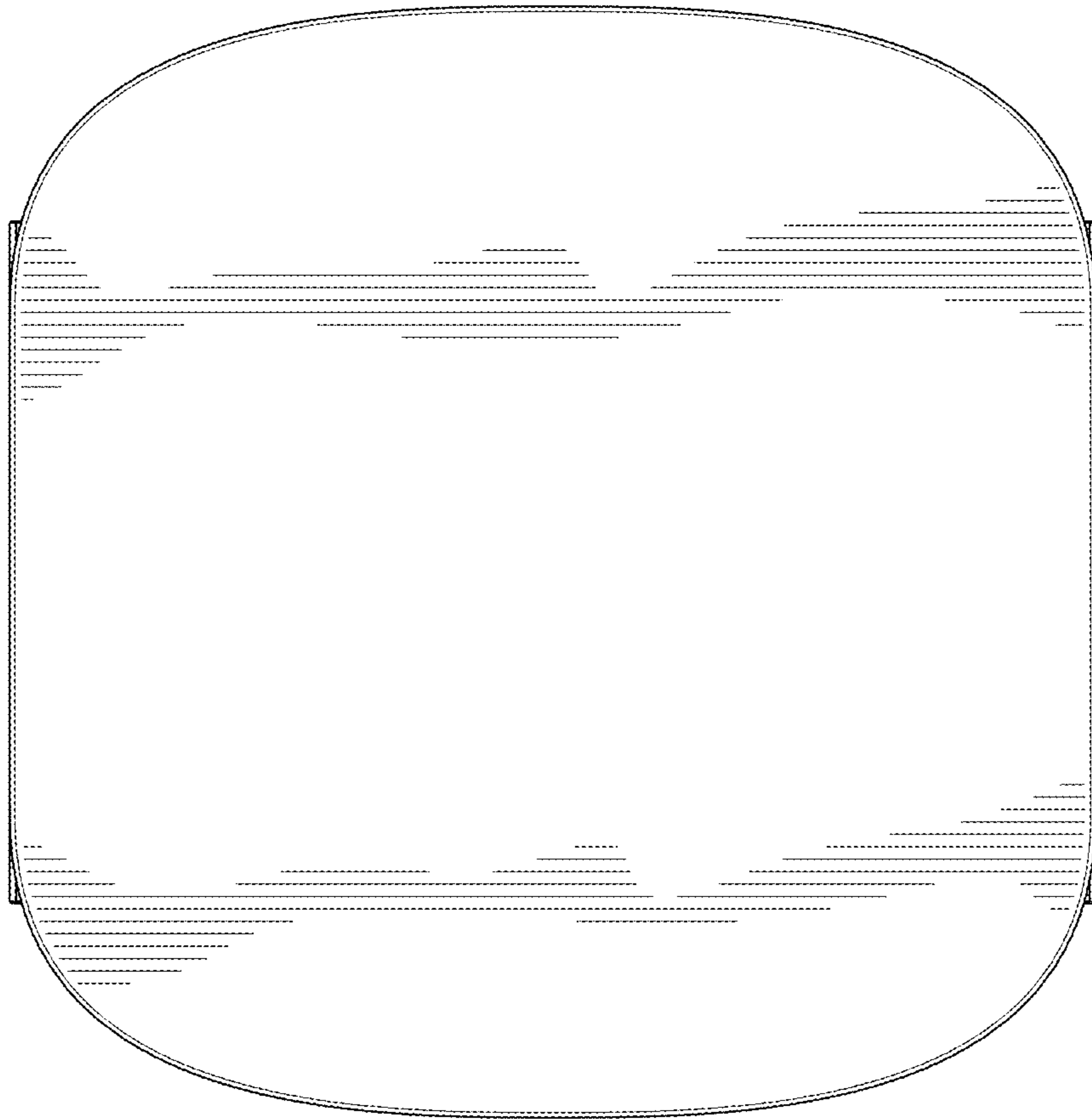


FIG. 4

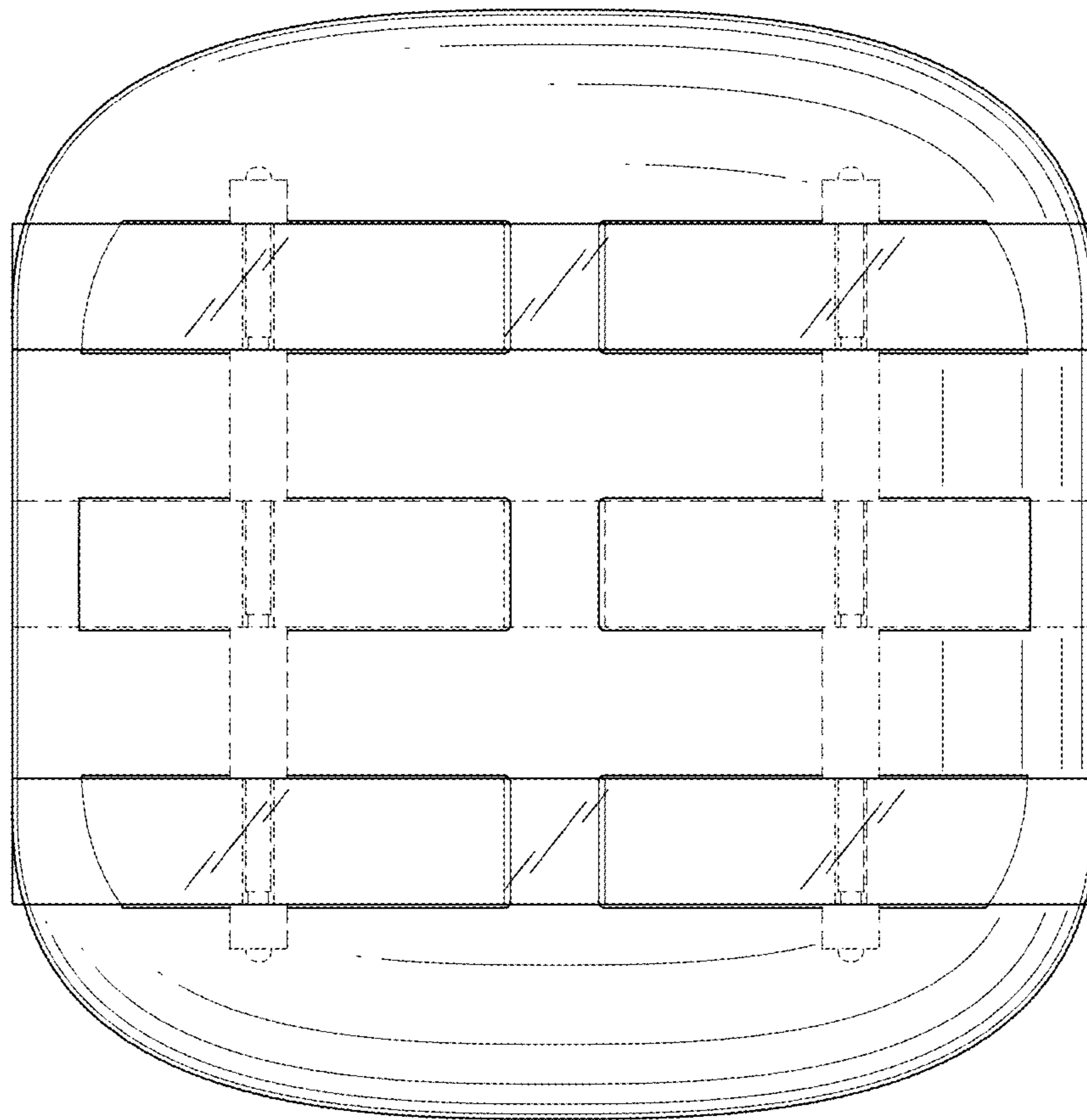


FIG.5