



US00D821125S

(12) **United States Design Patent** (10) **Patent No.:** **US D821,125 S**
Hendifar et al. (45) **Date of Patent:** **** Jun. 26, 2018**

(54) **TABLE**
(71) Applicant: **APPARATUS, LLC**, New York, NY (US)
(72) Inventors: **Gabriel Hendifar**, Rhinebeck, NY (US); **Jeremy R. Anderson**, Rhinebeck, NY (US)

4,069,769 A * 1/1978 Abrams A47B 7/00
108/11
D276,675 S * 12/1984 Hamami D6/691
D277,351 S * 1/1985 Offredi D6/691
D277,438 S * 2/1985 Passarello D6/691
D342,848 S * 1/1994 Armstrong D6/691
D514,356 S * 2/2006 Ng D6/691
D654,290 S * 2/2012 Ernst D6/691.5

(73) Assignee: **APPARATUS LLC**, New York, NY (US)

(**) Term: **15 Years**

(21) Appl. No.: **29/598,371**

(22) Filed: **Mar. 24, 2017**

(51) **LOC (11) Cl.** **06-03**

(52) **U.S. Cl.**
USPC **D6/691**

(58) **Field of Classification Search**
USPC D6/686, 691, 691.1-691.9, 692, 707.12, D6/707.18, 707.19, 708, 708.16, 708.17, D6/709, 709.18, 709.19
CPC .. A47B 37/00; A47B 3/00; A47B 1/00; A47B 3/06; A47B 3/08; A47B 7/00; A47B 21/00; A47B 23/00; A47B 25/00; A47B 13/08; A47B 3/083; A47B 3/14; A47B 41/00; A47B 17/00; A47B 3/0809; A47B 3/0812; A47B 2013/026; A47B 2200/03; A47B 2200/00; A47B 2003/0821; A47C 3/045

See application file for complete search history.

(56) **References Cited**

U.S. PATENT DOCUMENTS

D229,652 S * 12/1973 Brooks, Jr. D6/691
D236,400 S * 8/1975 Waitzman D6/691
D242,002 S * 10/1976 Faber D6/691
D242,003 S * 10/1976 Faber D6/691
D242,006 S * 10/1976 Faber D6/691
D244,334 S * 5/1977 Ferguson D6/655.21

OTHER PUBLICATIONS

Apparatus, posted at Apparatusstudio.com, posted on May 27, 2017, site visited Apr. 26, 2018. online, available from internet: (Year: 2017).*

* cited by examiner

Primary Examiner — Mary Ann Calabrese

Assistant Examiner — Catherine Ho

(74) *Attorney, Agent, or Firm* — Gottlieb, Rackman & Reisman, P.C.

(57) **CLAIM**

The ornamental design for a table, as shown and described.

DESCRIPTION

FIG. 1 is a perspective view of the table showing my new design;

FIG. 2 is a front elevational view thereof, the rear elevational view being the mirror image;

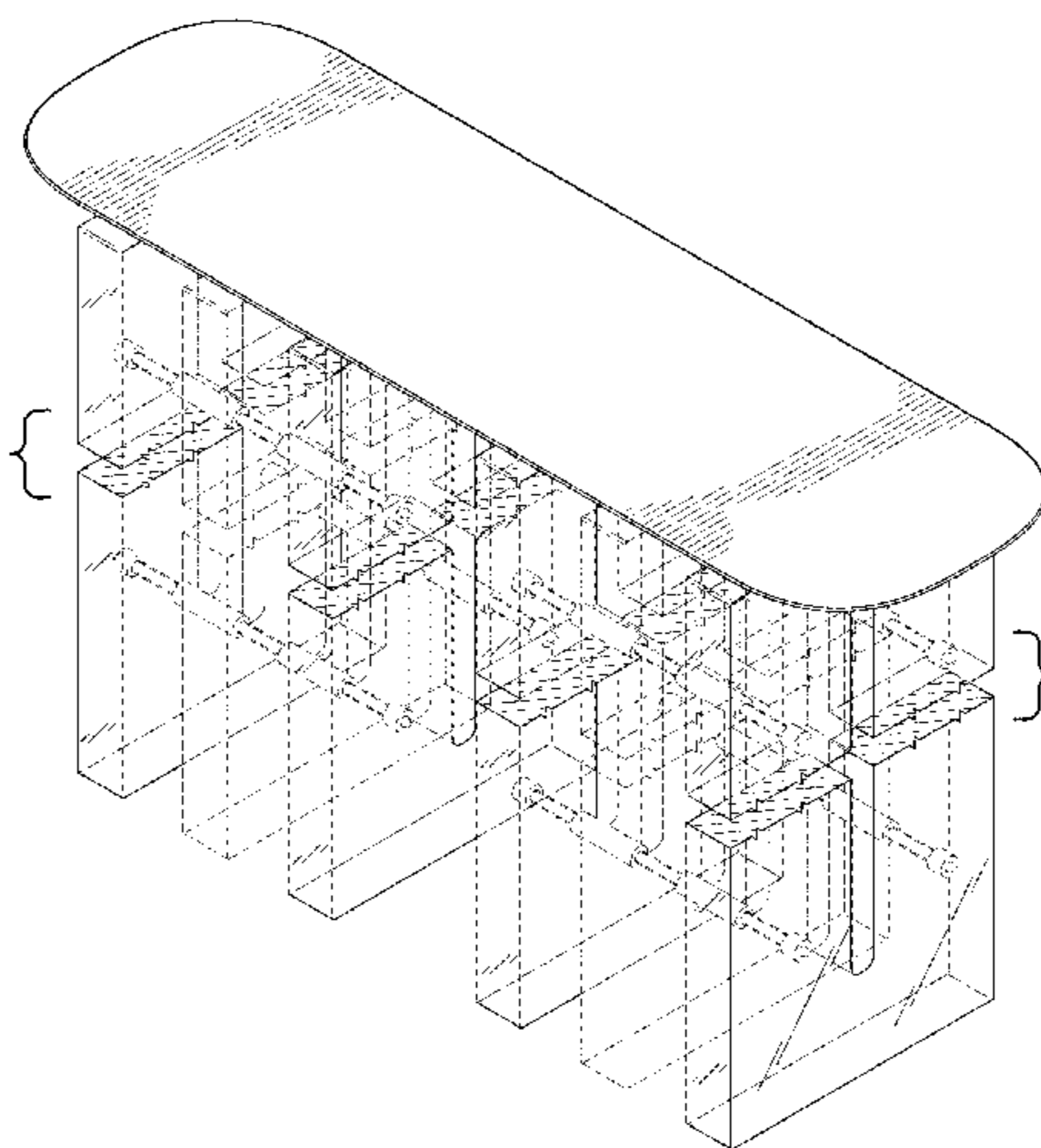
FIG. 3 is a right side elevational view thereof, the left side elevational view being a mirror image;

FIG. 4 is a top plan view thereof; and,

FIG. 5 is a bottom plan view thereof.

The table is shown with a symbolic break in its legs, represented by jagged lines. The appearance of any portion of the article between the jagged lines forms no part of the claimed design. The broken line portion of the figure drawings is included to show portions of the article that form no part of the claimed design.

1 Claim, 5 Drawing Sheets



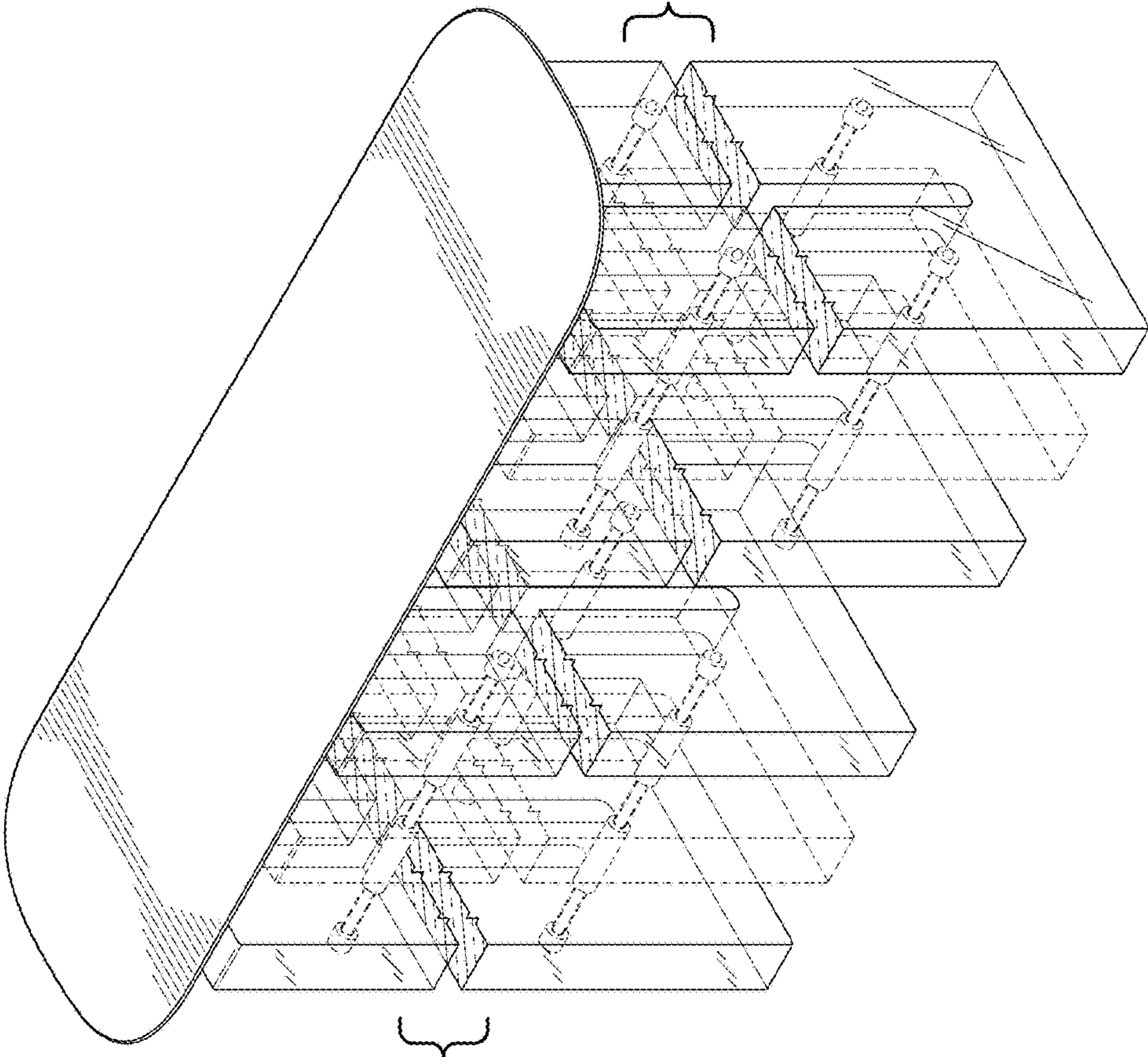


FIG.1

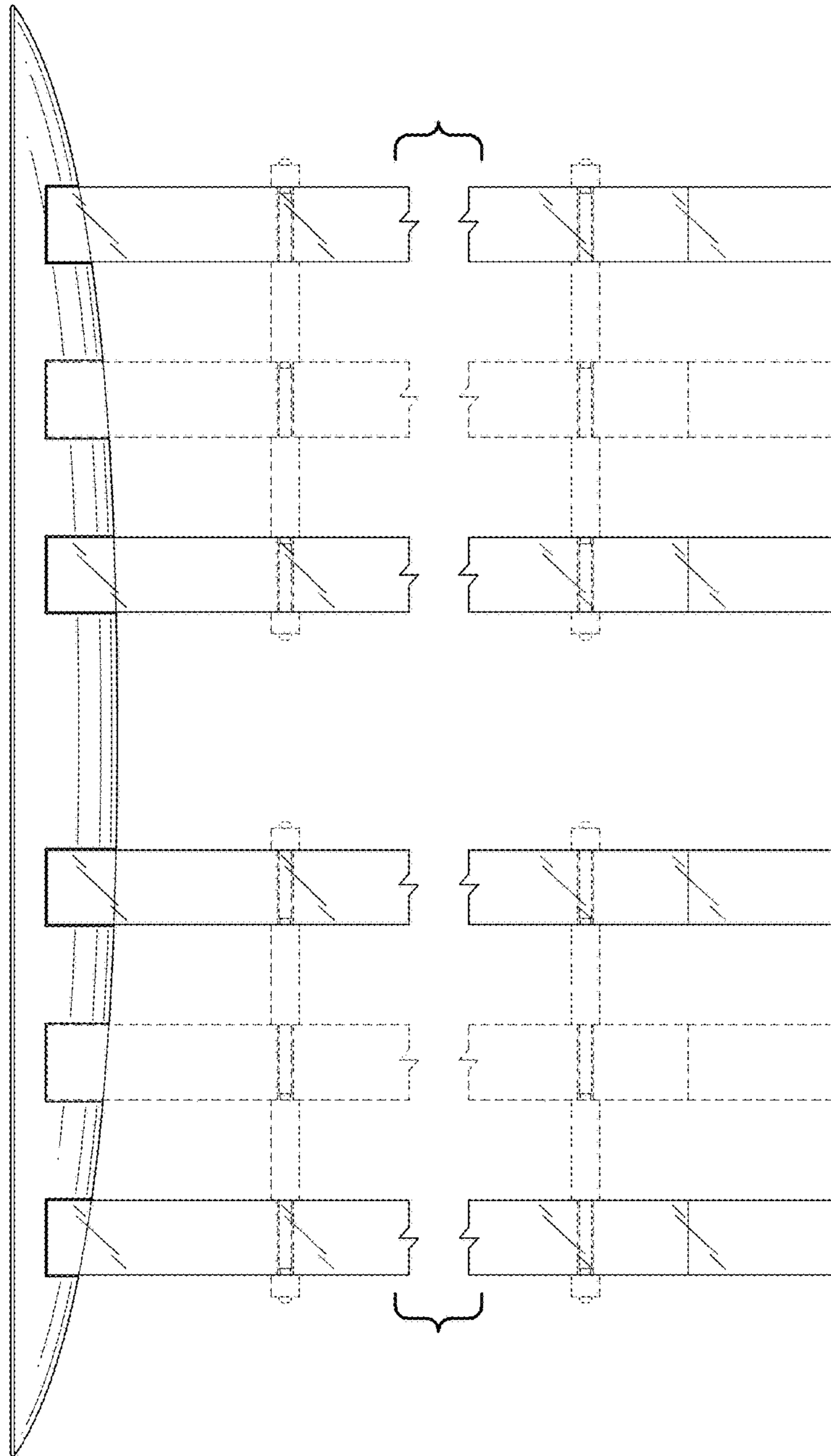


FIG.2

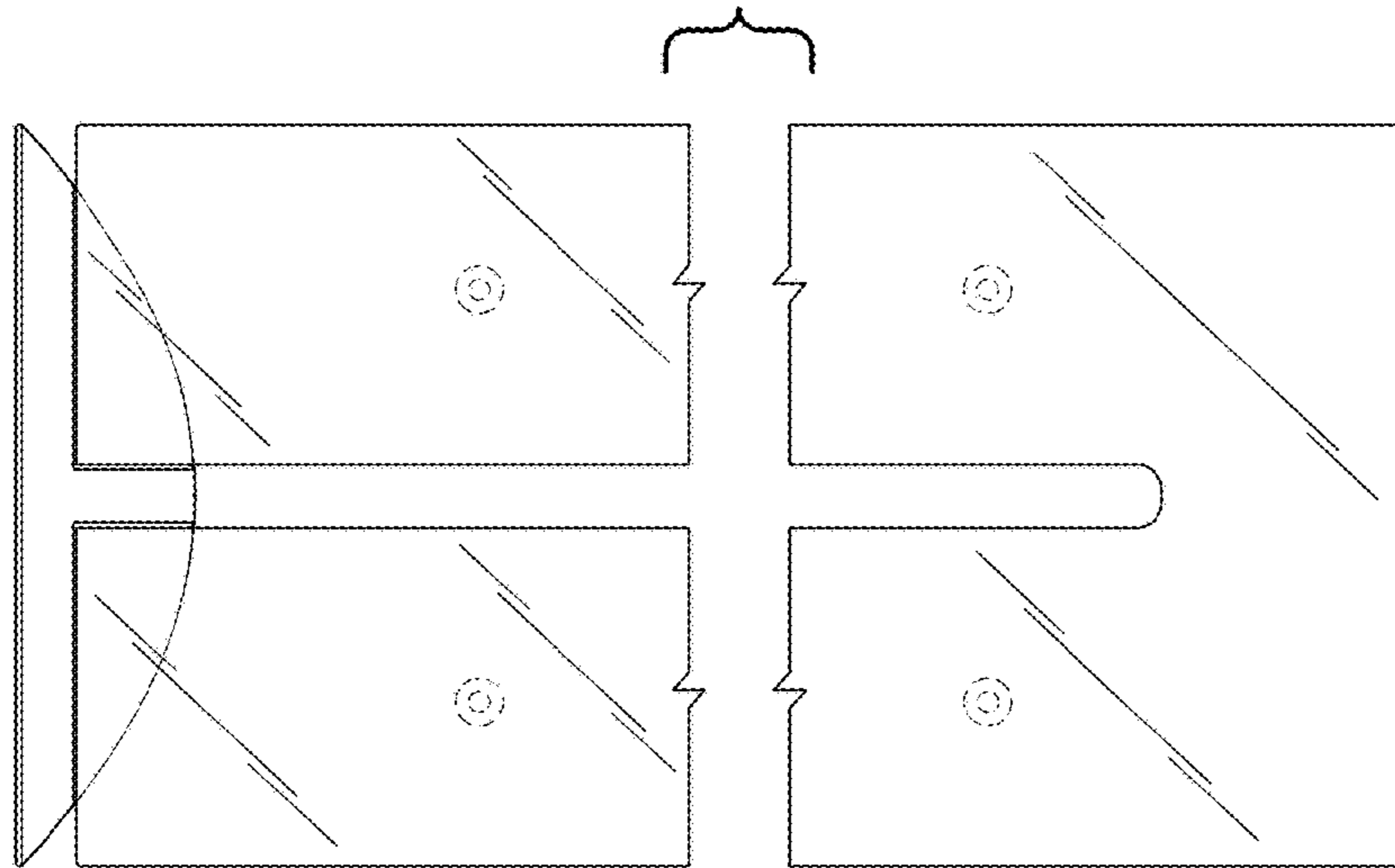


FIG. 3

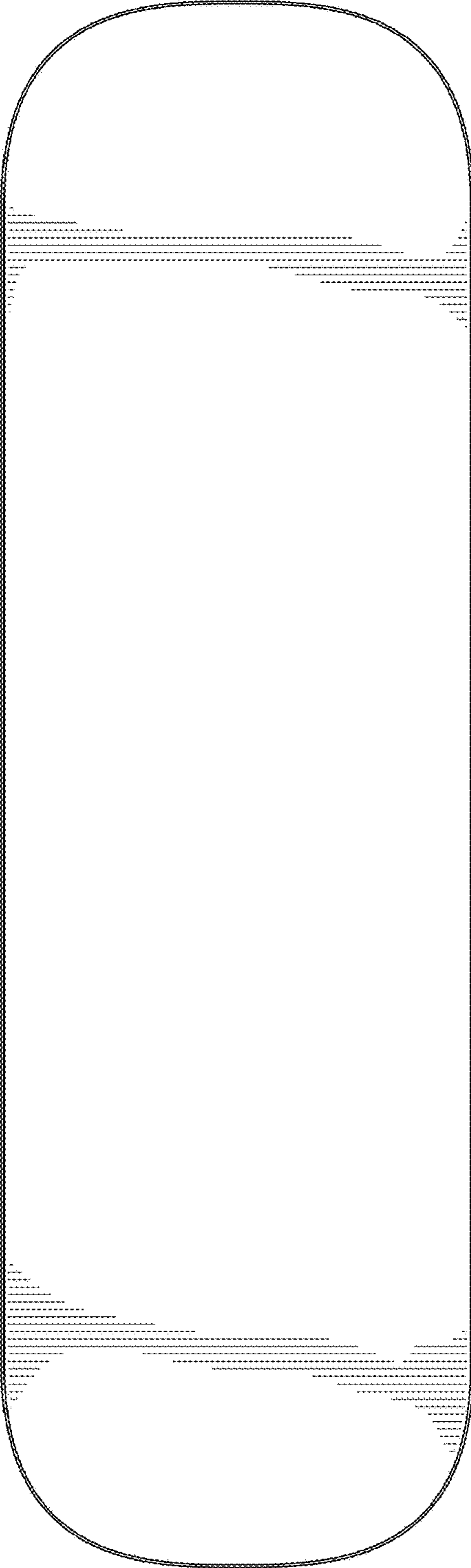


FIG.4

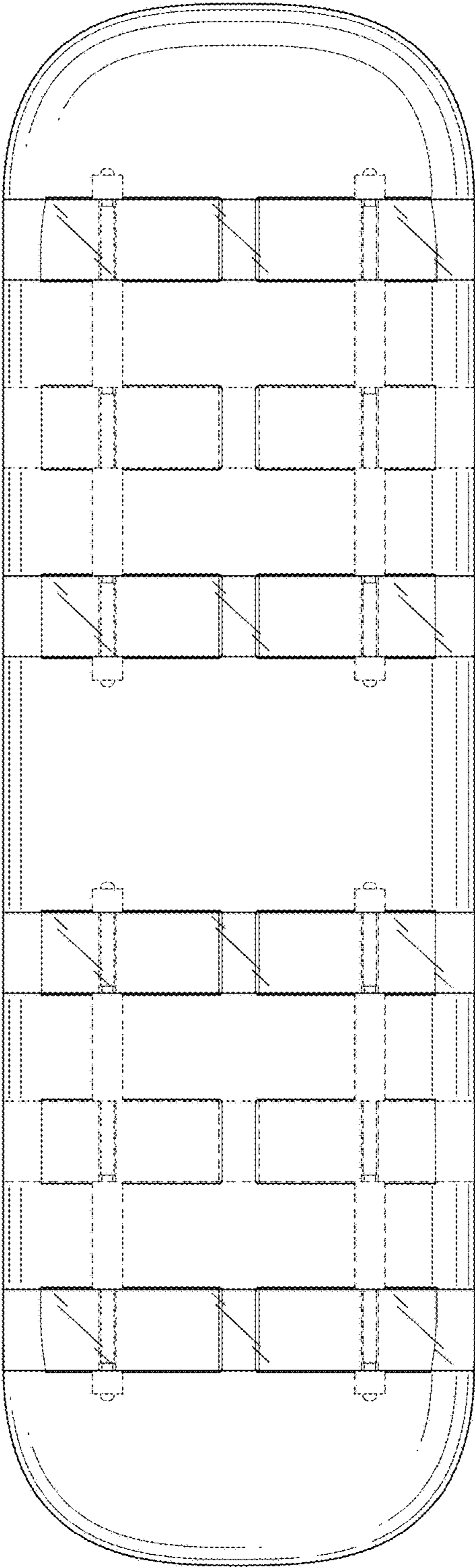


FIG. 5