



US00D821123S

(12) **United States Design Patent** (10) **Patent No.:** **US D821,123 S**  
**Royer** (45) **Date of Patent:** **\*\* \*Jun. 26, 2018**

(54) **PLATE STAND**

(71) Applicant: **Anne S. Royer**, Prairie Village, KS  
(US)

(72) Inventor: **Anne S. Royer**, Prairie Village, KS  
(US)

(\*) Notice: This patent is subject to a terminal disclaimer.

(\*\*) Term: **15 Years**

(21) Appl. No.: **29/587,220**

(22) Filed: **Dec. 12, 2016**

(51) **LOC (11) Cl.** ..... **06-06**

(52) **U.S. Cl.**  
USPC ..... **D6/682.1**

(58) **Field of Classification Search**  
USPC ..... D6/512, 672, 673, 675, 677.4, 682,  
D6/682.1, 682.3; D7/601, 602  
CPC ..... A47F 7/00; A47F 7/0057  
See application file for complete search history.

(56) **References Cited**

**U.S. PATENT DOCUMENTS**

- 4,537,397 A \* 8/1985 Kopp ..... A63B 69/0075  
473/420
- D379,107 S \* 5/1997 Loch ..... D1/118
- D497,831 S \* 11/2004 Anderson ..... D11/130

- D544,727 S \* 6/2007 Valdez ..... D6/552
- D596,452 S \* 7/2009 Komorski ..... D7/387
- D643,844 S \* 8/2011 Akana ..... D14/447
- D645,047 S \* 9/2011 Wike ..... D14/447
- D735,945 S \* 8/2015 Reishus ..... D28/73
- D756,152 S \* 5/2016 Schwalbach ..... D6/677.4
- D786,011 S \* 5/2017 Creech ..... D7/388
- D787,202 S \* 5/2017 Martin ..... D6/310
- D793,779 S \* 8/2017 Van Lanningham, Jr. . D6/682.1

\* cited by examiner

*Primary Examiner* — Kelley Donnelly  
(74) *Attorney, Agent, or Firm* — Intellectual Property Center, LLC; Arthur Shaffer

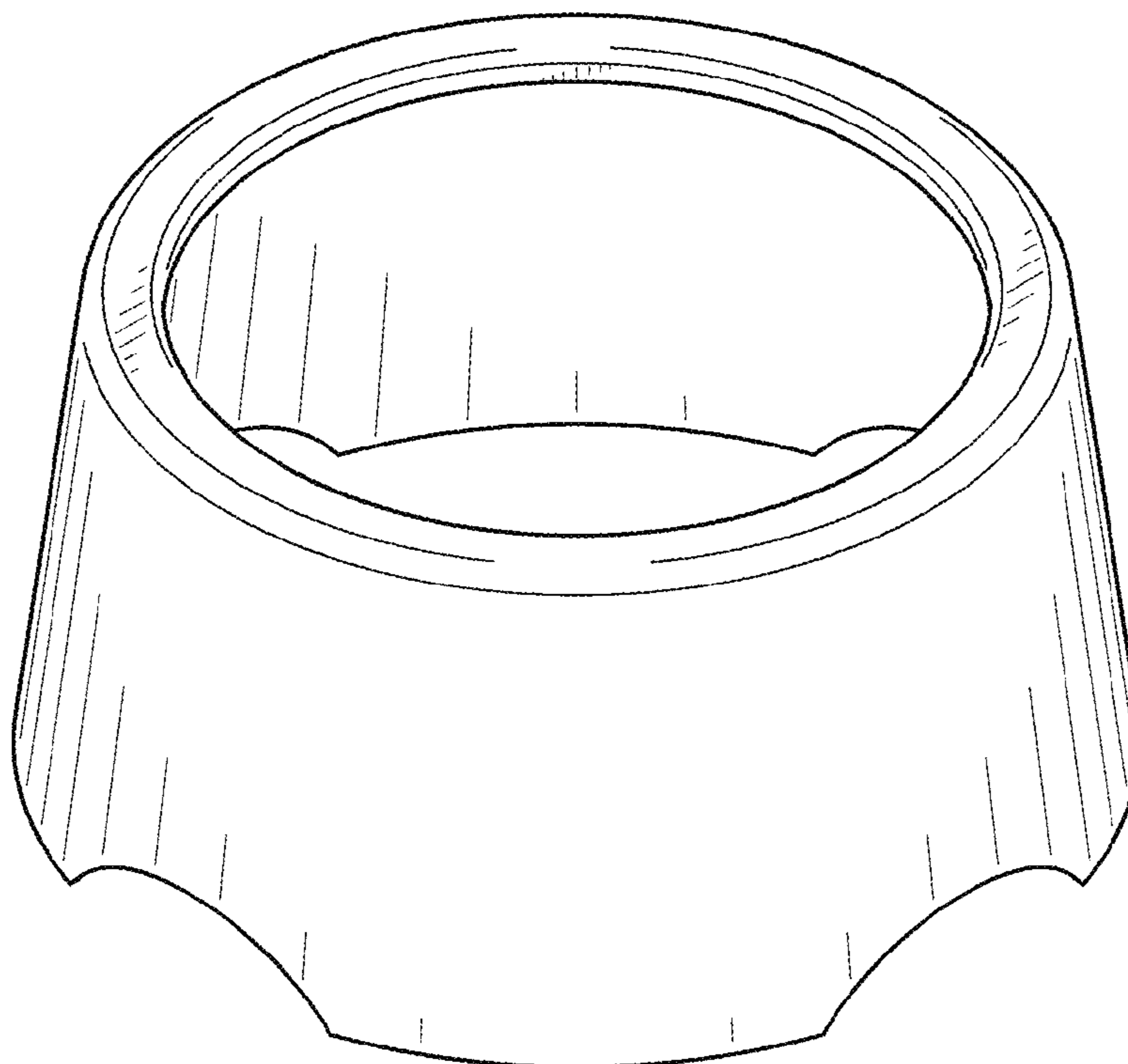
(57) **CLAIM**

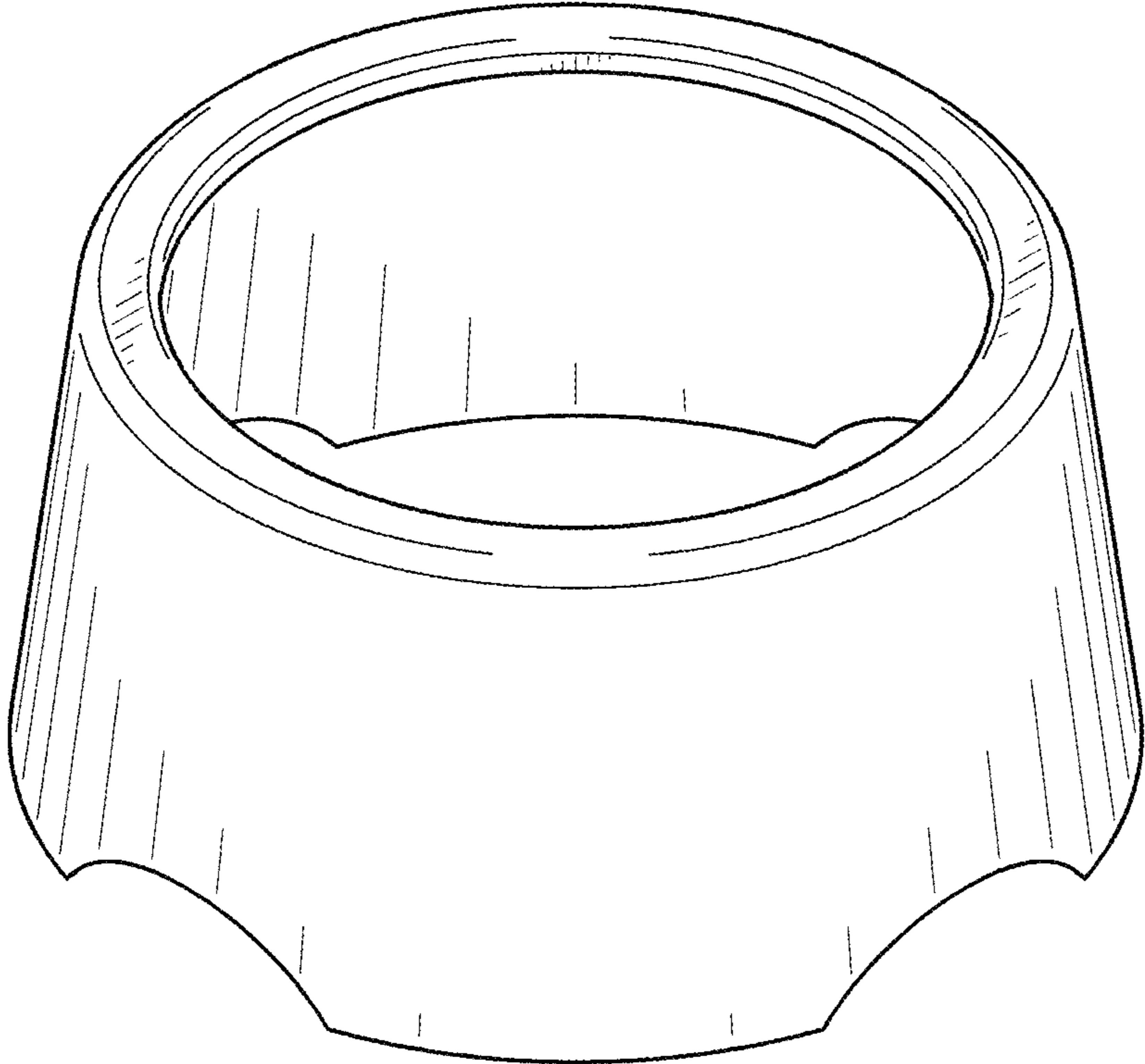
The ornamental design for a plate stand, as shown and described.

**DESCRIPTION**

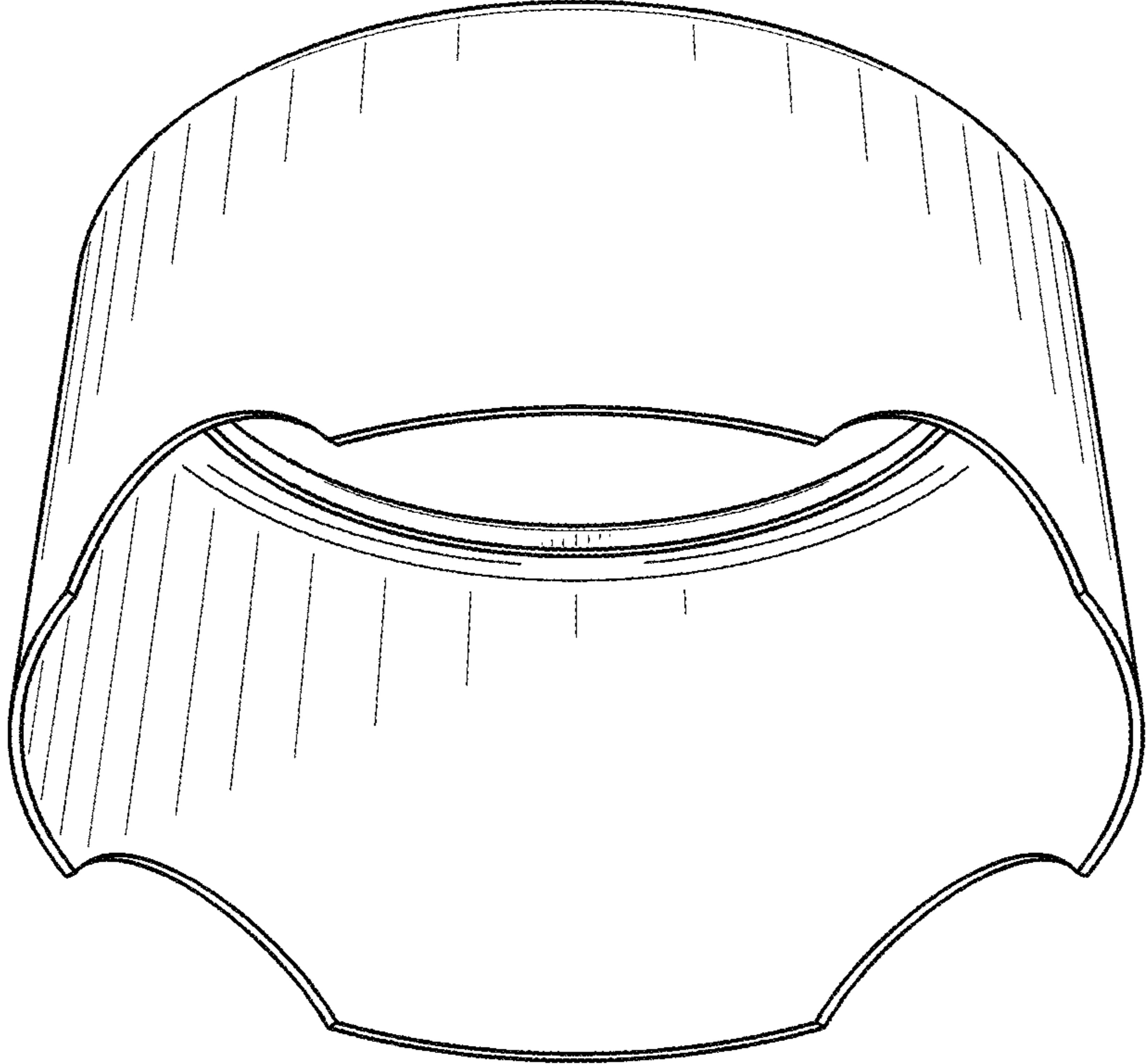
FIG. 1 is front perspective view of a plate stand in accordance with the present invention.  
FIG. 2 is a bottom perspective view of the plate stand of FIG. 1;  
FIG. 3 is a front elevation of the plate stand of FIG. 1, the front and rear being mirror images of each other;  
FIG. 4 is a left side elevation of the plate stand of FIG. 1, the left and right being mirror images of each other;  
FIG. 5 is a top plan view of the plate stand of FIG. 1; and,  
FIG. 6 is a bottom plan view of the plate stand of FIG. 1.

**1 Claim, 3 Drawing Sheets**

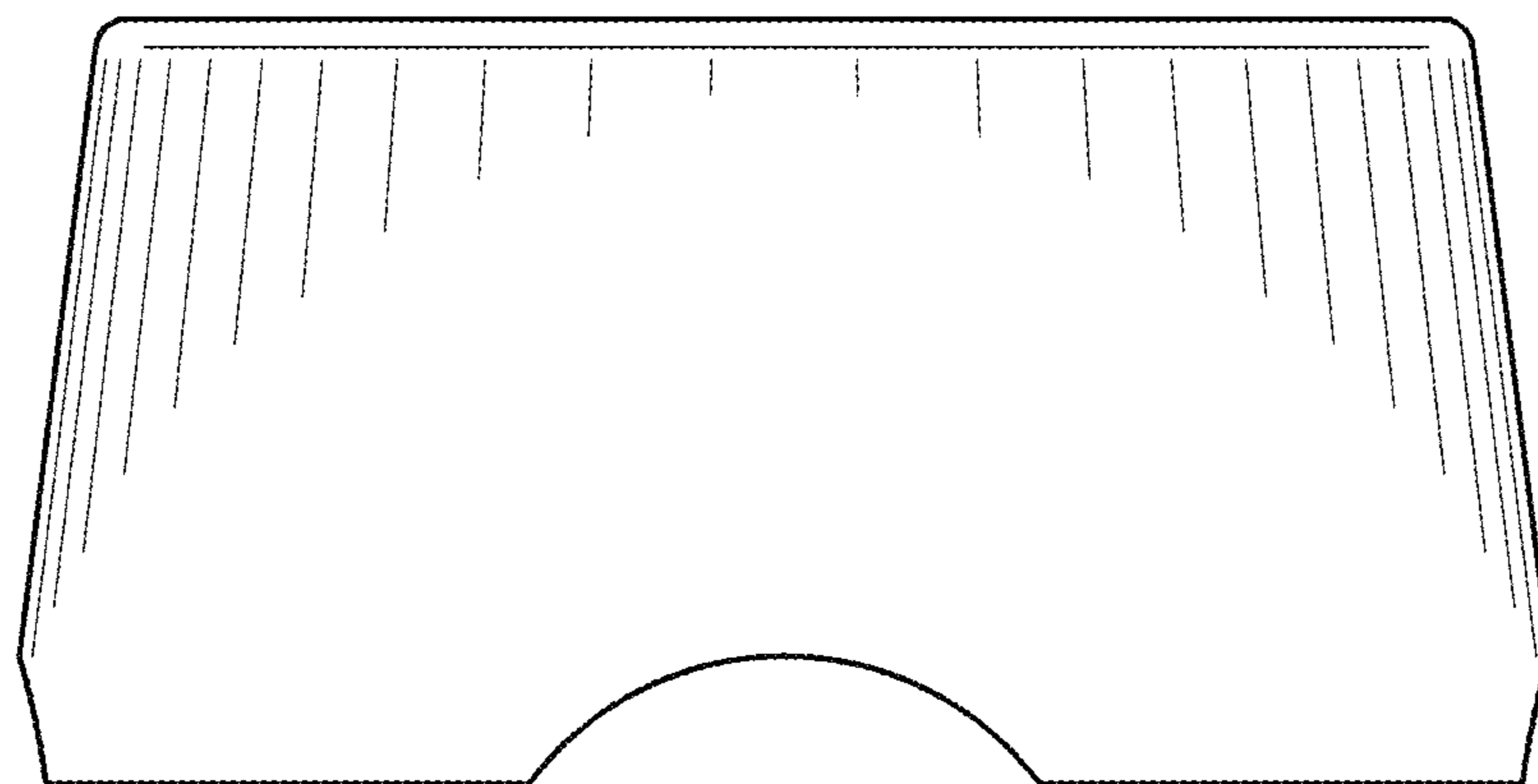




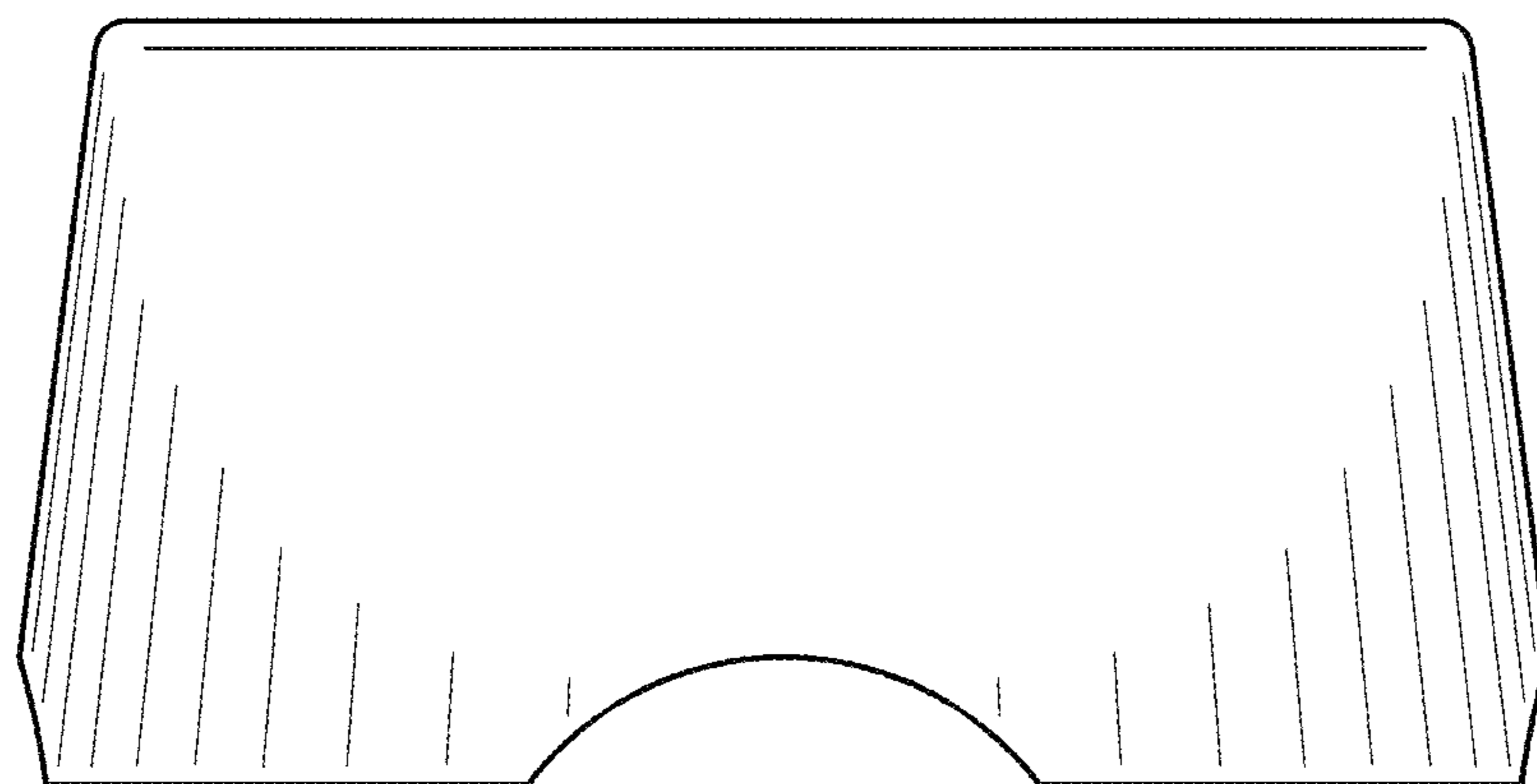
*Fig. 1*



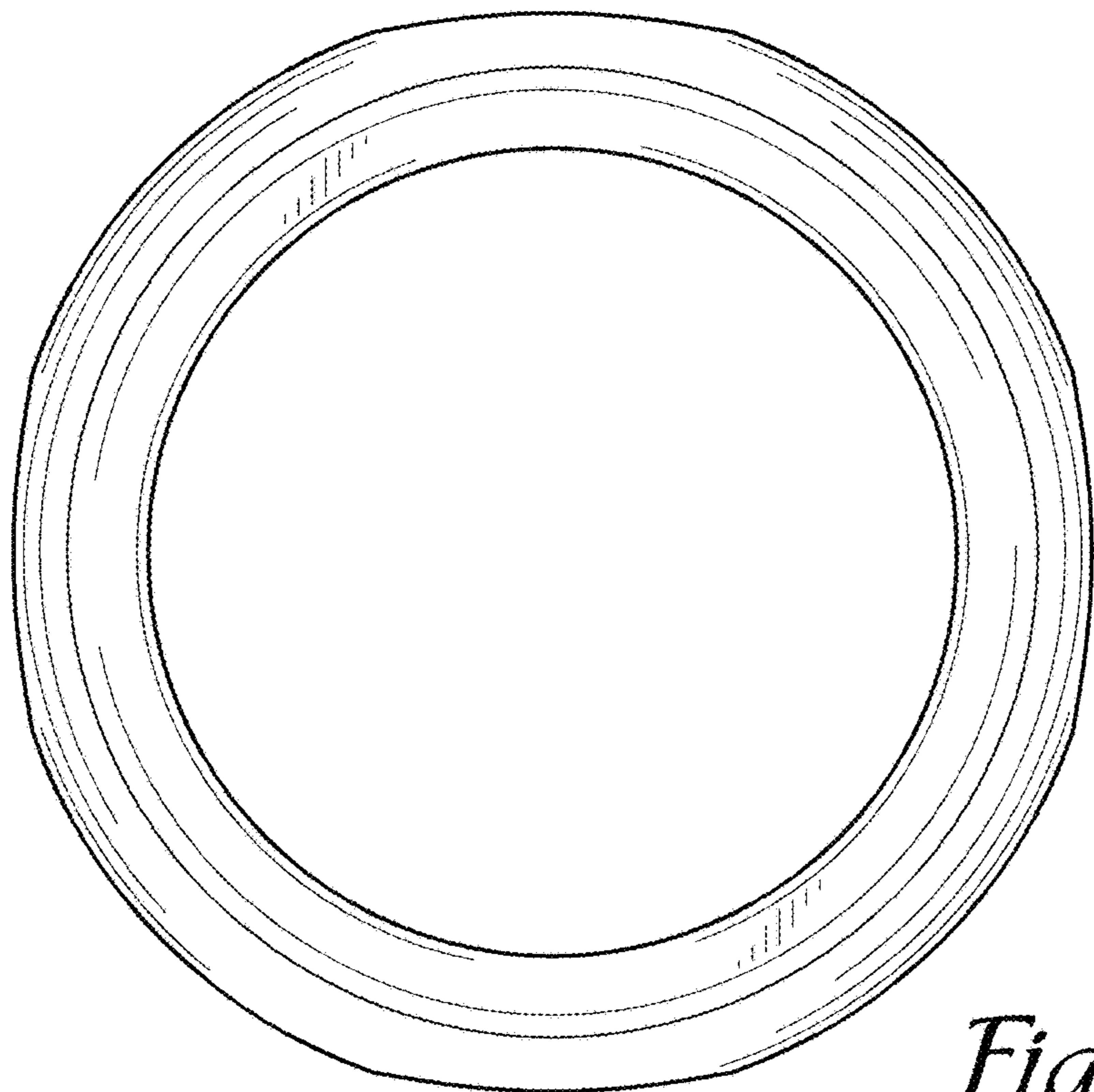
*Fig. 2*



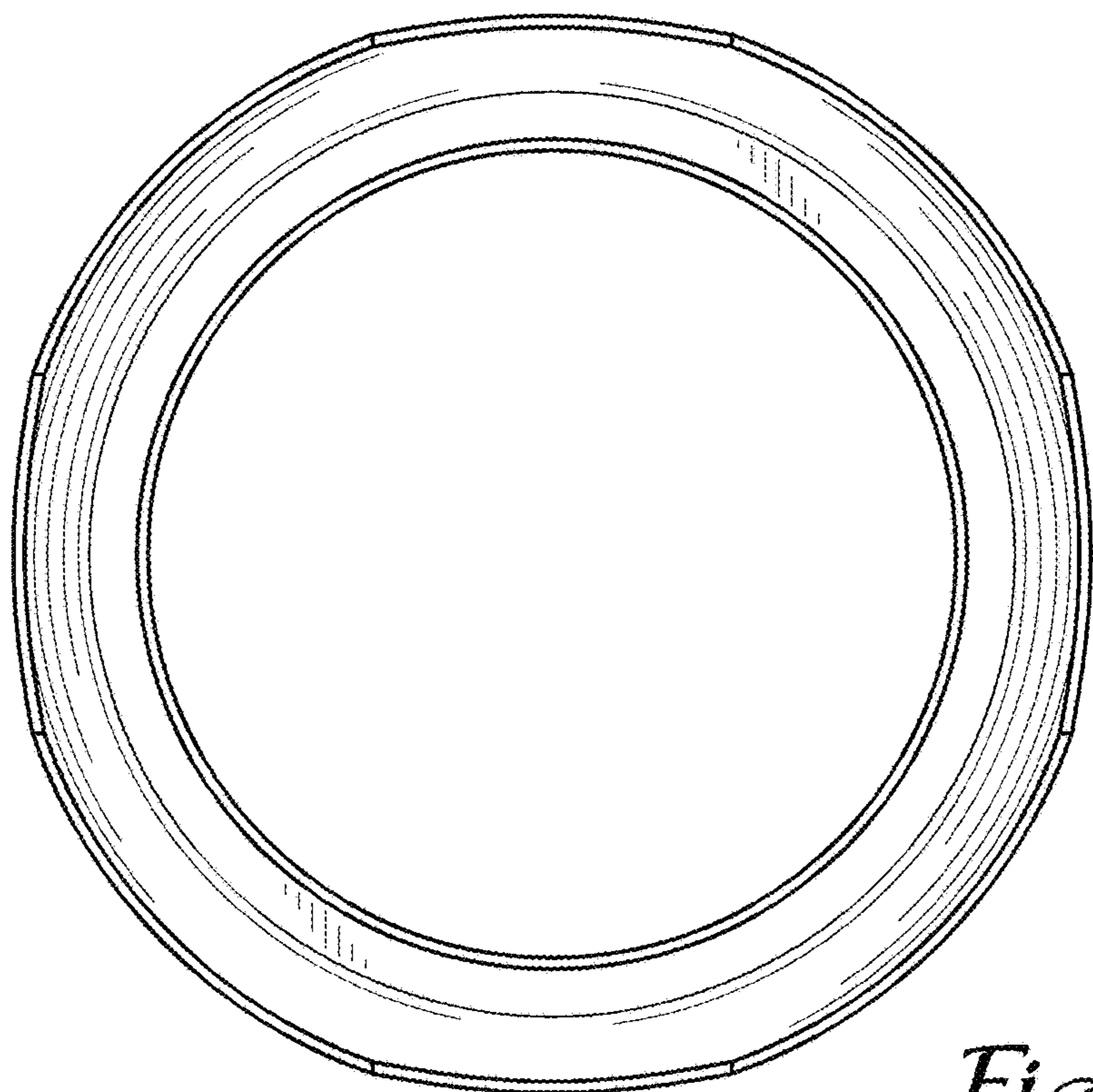
*Fig. 3*



*Fig. 4*



*Fig. 5*



*Fig. 6*