



US00D821122S

(12) **United States Design Patent**  
**Wang**

(10) **Patent No.:** **US D821,122 S**  
(45) **Date of Patent:** **\*\* Jun. 26, 2018**

(54) **HEADPHONE STAND**  
(71) Applicant: **Xiaopeng Wang**, San Jose, CA (US)  
(72) Inventor: **Xiaopeng Wang**, San Jose, CA (US)  
(73) Assignee: **M&O electronics, Inc.**, San Jose, CA (US)

(\*\*) Term: **15 Years**  
(21) Appl. No.: **29/599,705**  
(22) Filed: **Apr. 6, 2017**

(30) **Foreign Application Priority Data**  
Feb. 28, 2017 (CN) ..... 2017 3 0054463  
(51) **LOC (11) Cl.** ..... **06-06**  
(52) **U.S. Cl.**  
USPC ..... **D6/682**  
(58) **Field of Classification Search**  
USPC ..... D6/675, 675.1-675.2, 682, 700-701;  
D14/205, 209.1  
CPC .. G10G 5/00; G10G 5/005; A47F 5/00; A47F  
5/0081; A47F 7/005  
See application file for complete search history.

(56) **References Cited**  
U.S. PATENT DOCUMENTS  
D357,248 S \* 4/1995 Cheng ..... D14/137  
D645,027 S 9/2011 Gougherty et al.  
D645,865 S \* 9/2011 Diehl ..... D14/299  
D684,145 S 6/2013 Rath  
D729,257 S \* 5/2015 Floersch ..... D14/451  
D737,606 S \* 9/2015 King ..... D6/682  
D743,955 S \* 11/2015 Wu ..... D14/253  
D755,796 S \* 5/2016 Gibson ..... D14/447  
D765,623 S 9/2016 Yang et al.  
D773,201 S \* 12/2016 Cardell ..... D6/406.1  
D780,490 S \* 3/2017 James ..... D6/682

D786,593 S \* 5/2017 Almaghlouth ..... D6/692.4  
D788,080 S 5/2017 Turksu et al.  
D796,277 S \* 9/2017 Stiffel ..... D7/701  
D799,464 S \* 10/2017 Zaihui ..... D14/252  
D805,581 S \* 12/2017 Chang ..... D19/75

**OTHER PUBLICATIONS**

“Headphone Partner with Cable Reel”, by M & O Electronics, Found Online [May 9, 2017] <http://mo-electronics.com/image/123554232.jpg>.  
“Headphone Partner with Cable Reel”, by M & O Electronics, Found Online [May 9, 2017] <http://mo-electronics.com/image/123554233.jpg>.  
“Automatic winder mini headphone cable reel”, by Chitwan cable reel, Found Online [May 9, 2017] [https://is.alicdn.com/img/pb/881/451/834/834451881\\_985.jpg](https://is.alicdn.com/img/pb/881/451/834/834451881_985.jpg).  
“Wire Organizer Set”, by Graphics and More, Found Online [May 9, 2017] [https://images-na-ssl-images-amazon.com/images/I/51z9h9fQMfL\\_SL1001.jpg](https://images-na-ssl-images-amazon.com/images/I/51z9h9fQMfL_SL1001.jpg).  
“Spool Earphone Tidy—earphone holder & earphone cable tidy”, by Cubic, Found Online [May 9, 2017] [https://images-na-ssl-images-amazon.com/images/I/61O3OATC70L\\_SL1000.jpg](https://images-na-ssl-images-amazon.com/images/I/61O3OATC70L_SL1000.jpg).

\* cited by examiner

*Primary Examiner* — Kelley Donnelly

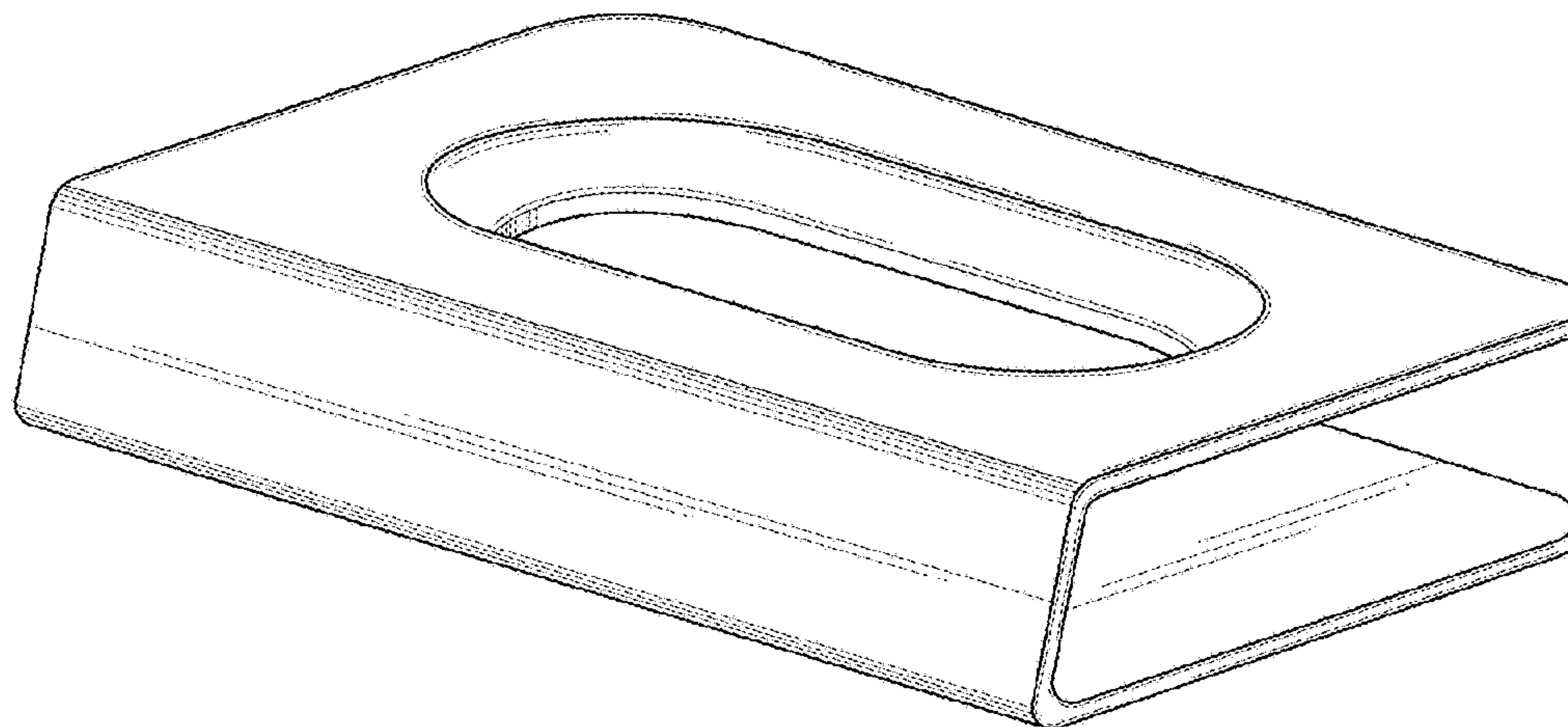
(57) **CLAIM**

The ornamental design for a headphone stand, as shown and described.

**DESCRIPTION**

FIG. 1 is a front right-top perspective view for a headphone stand, showing my new design;  
FIG. 2 is front elevational view of FIG. 1 thereof;  
FIG. 3 is a rear elevational view of FIG. 1 thereof;  
FIG. 4 is a left side elevational view of FIG. 1 thereof, the right side elevational view being a mirror image;  
FIG. 5 is a top plan view of FIG. 1 thereof; and,  
FIG. 6 is a bottom plan view of FIG. 1 thereof.

**1 Claim, 6 Drawing Sheets**



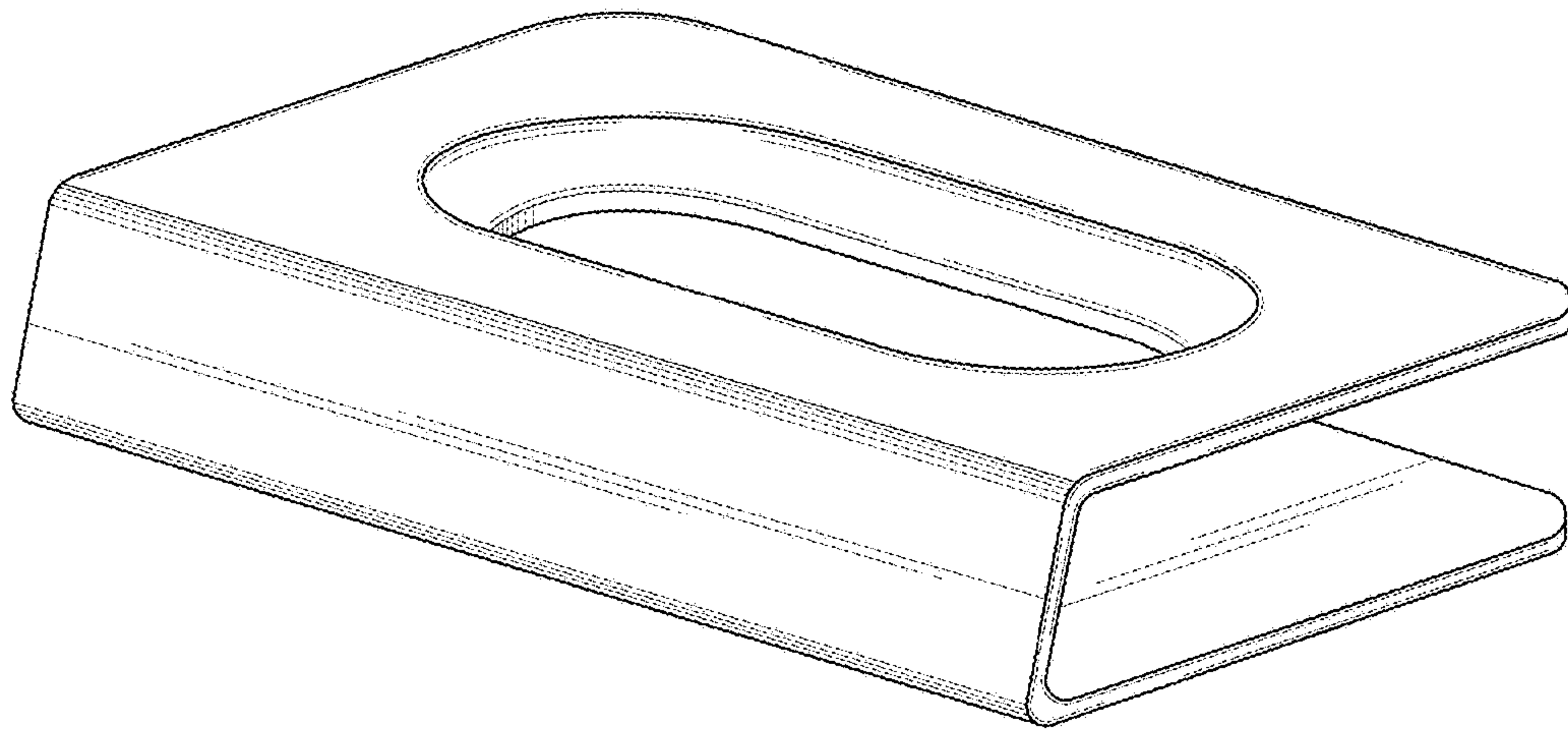
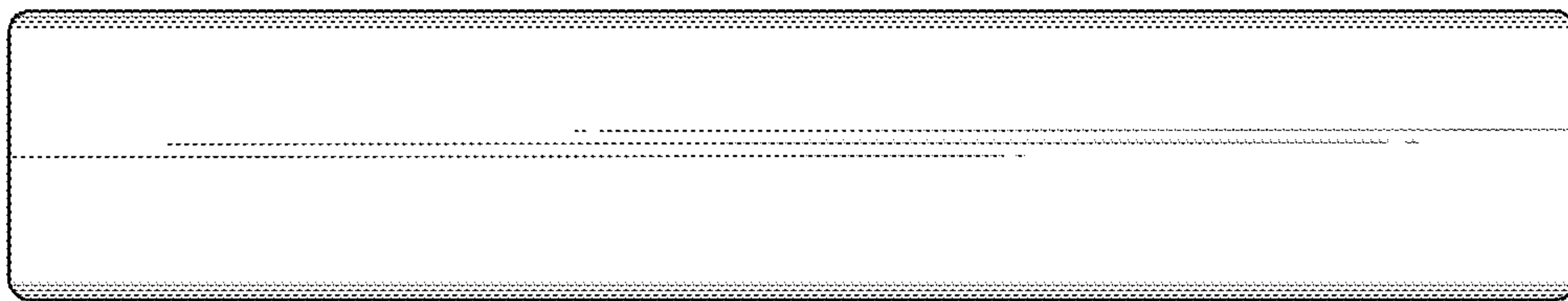


FIG. 1



**FIG. 2**

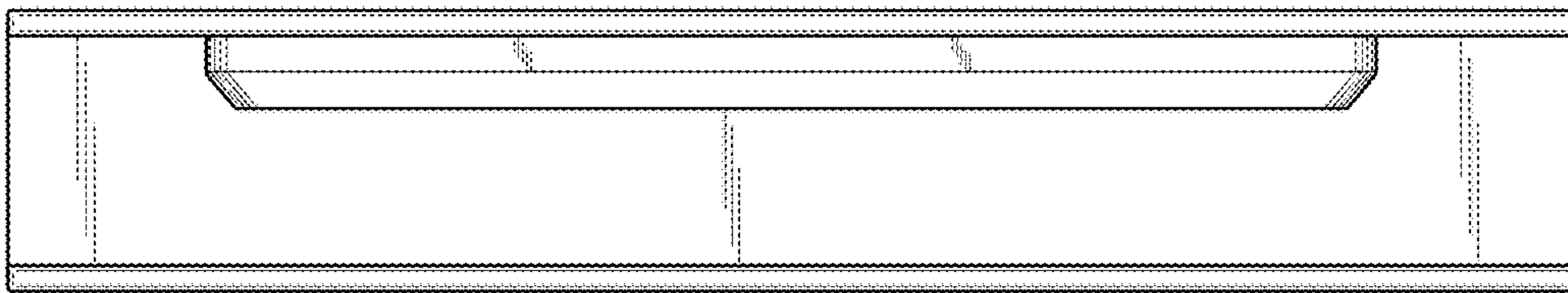


FIG. 3

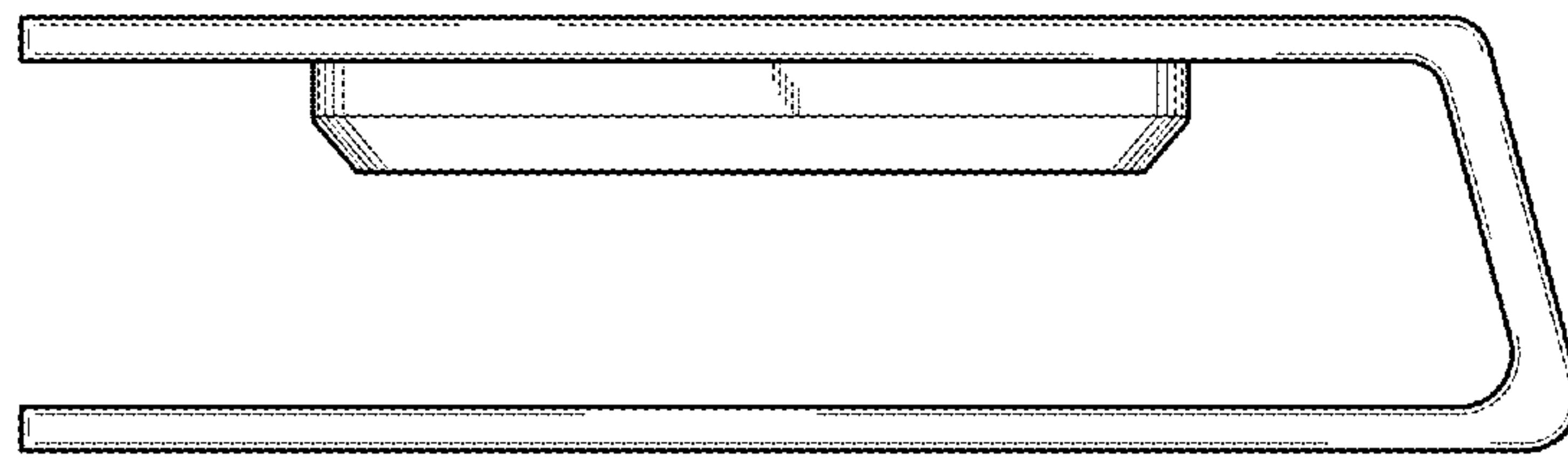


FIG. 4

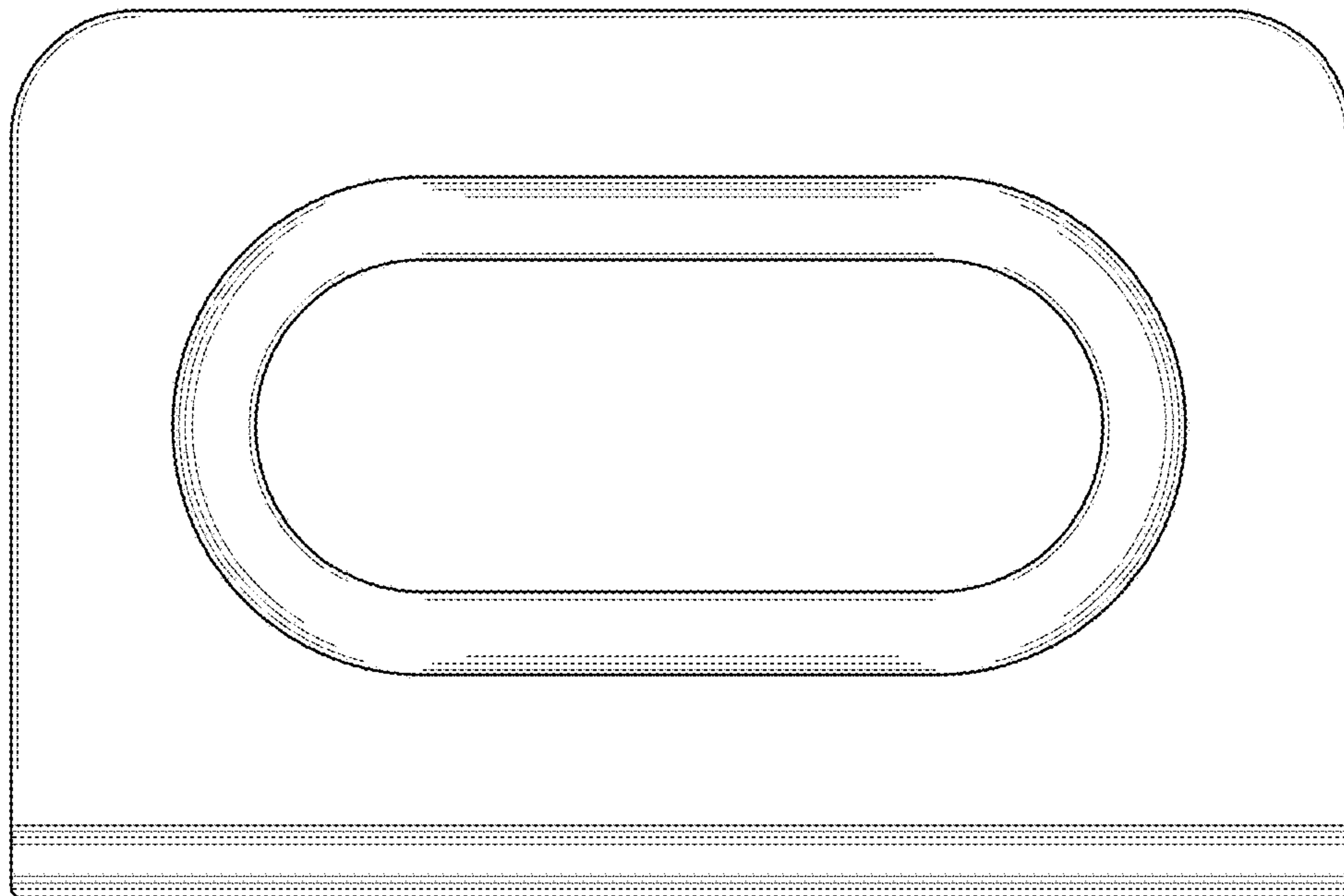


FIG. 5

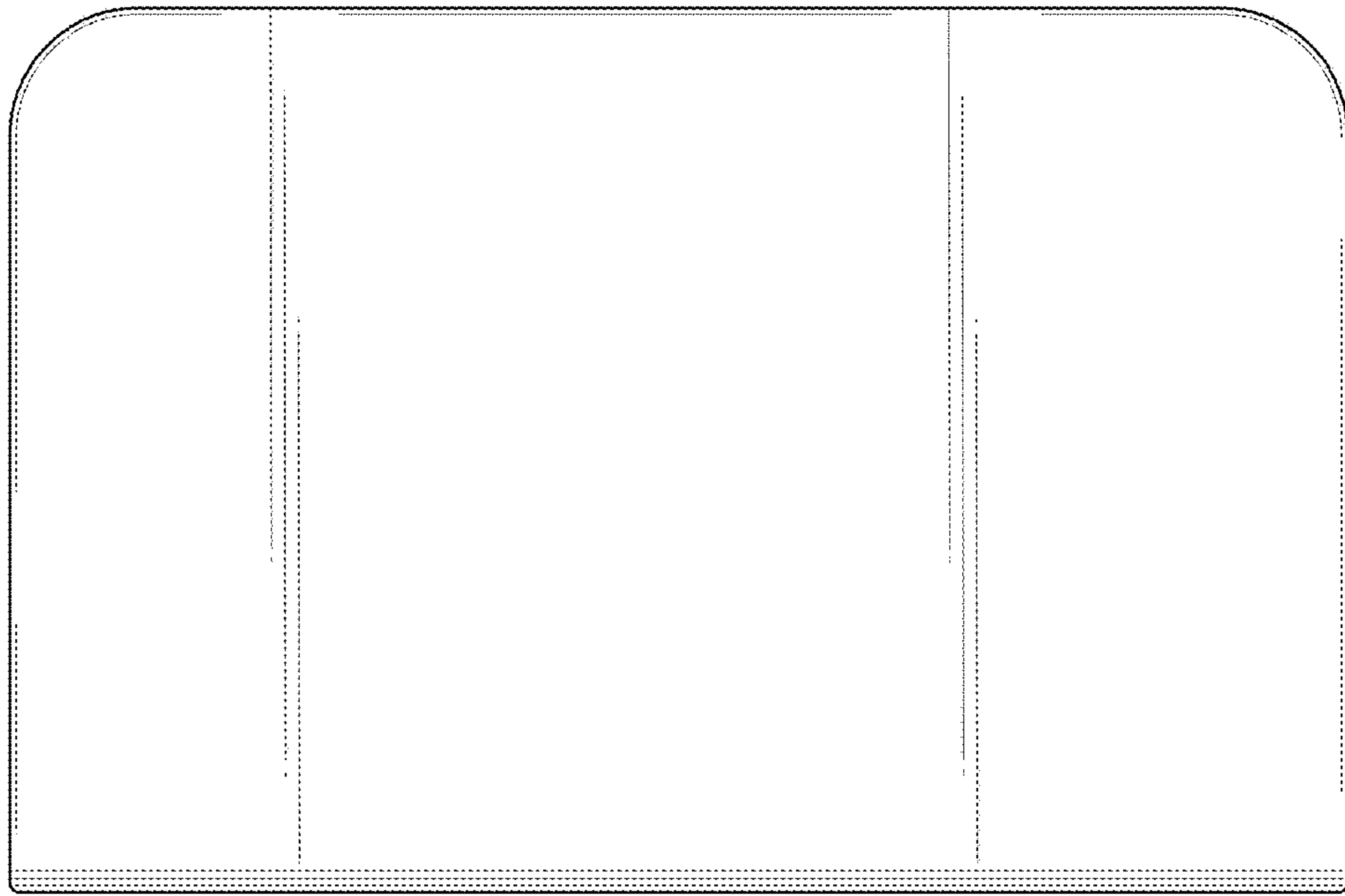


FIG. 6