



US00D821120S

(12) **United States Design Patent**
Chang

(10) **Patent No.:** **US D821,120 S**
(45) **Date of Patent:** **** Jun. 26, 2018**

- (54) **RACK**
- (71) Applicant: **Apex Dynamics, Inc.**, Taichung (TW)
- (72) Inventor: **Robin C. S. Chang**, Taichung (TW)
- (73) Assignee: **Apex Dynamics, Inc.**, Taichung (TW)
- (**) Term: **15 Years**
- (21) Appl. No.: **29/605,463**
- (22) Filed: **May 26, 2017**

5,129,272 A	7/1992	Irvin	
D334,867 S *	4/1993	May	D7/504
5,628,245 A *	5/1997	Baze	A47J 37/01 249/120
6,164,461 A *	12/2000	Ward	G11B 33/0461 211/40
D499,607 S *	12/2004	Lyon	D7/504
D563,166 S *	3/2008	Woolfolk	D7/504
D660,650 S *	5/2012	Moore	D7/553.2
D696,829 S *	12/2013	Huang	D32/55
D766,051 S *	9/2016	LaRiviere	D7/701
D775,678 S *	1/2017	Cockley	D16/137
D781,625 S *	3/2017	Poniatowski	D6/683
2016/0004101 A1*	1/2016	Peli	G02C 7/14 351/159.58

Related U.S. Application Data

- (63) Continuation-in-part of application No. 14/611,294, filed on Feb. 2, 2015.
- (51) **LOC (11) Cl.** **06-06**
- (52) **U.S. Cl.**
USPC **D6/675.4**
- (58) **Field of Classification Search**
USPC D6/672, 675, 675.4, 678, 678.1, 678.3,
D6/682, 691, 691.1
CPC A47B 53/00; A47B 55/00; A47B 81/00;
B25H 3/00; B25H 3/04
See application file for complete search history.

(56) **References Cited**

U.S. PATENT DOCUMENTS

2,397,965 A	4/1946	Hunz	
2,463,771 A	3/1949	Hunz	
2,487,553 A	11/1949	Hunz	
D246,491 S *	11/1977	D'Alo	D6/682.4
D275,256 S *	8/1984	Gilliam	D7/504
4,646,554 A	3/1987	Wallis	
D312,946 S *	12/1990	Schoen	D7/504

* cited by examiner

Primary Examiner — Kelley Donnelly

(74) *Attorney, Agent, or Firm* — Alan D. Kamrath;
Kamrath IP Lawfirm, P.A.

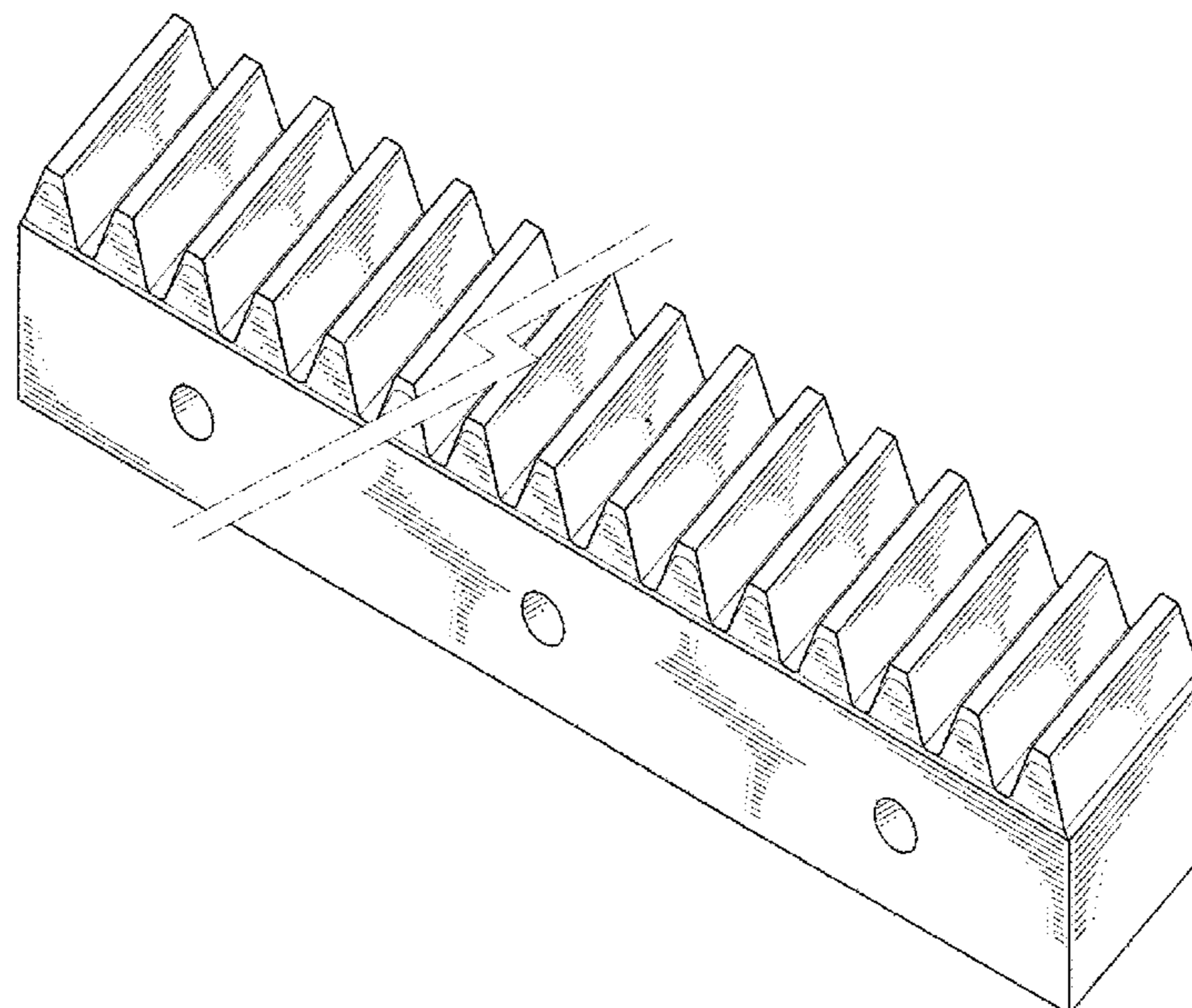
(57) **CLAIM**

The ornamental design for a rack, as shown.

DESCRIPTION

FIG. 1 is a perspective view of a rack showing my new design;
 FIG. 2 is a front view thereof;
 FIG. 3 is a rear view thereof;
 FIG. 4 is a left view thereof;
 FIG. 5 is a right view thereof;
 FIG. 6 is a top view thereof; and,
 FIG. 7 is a bottom view thereof.
 The break lines shown in FIGS. 1, 2, 3, 6 and 7 are not part of the claimed design and represent that no particular length is claimed.

1 Claim, 4 Drawing Sheets



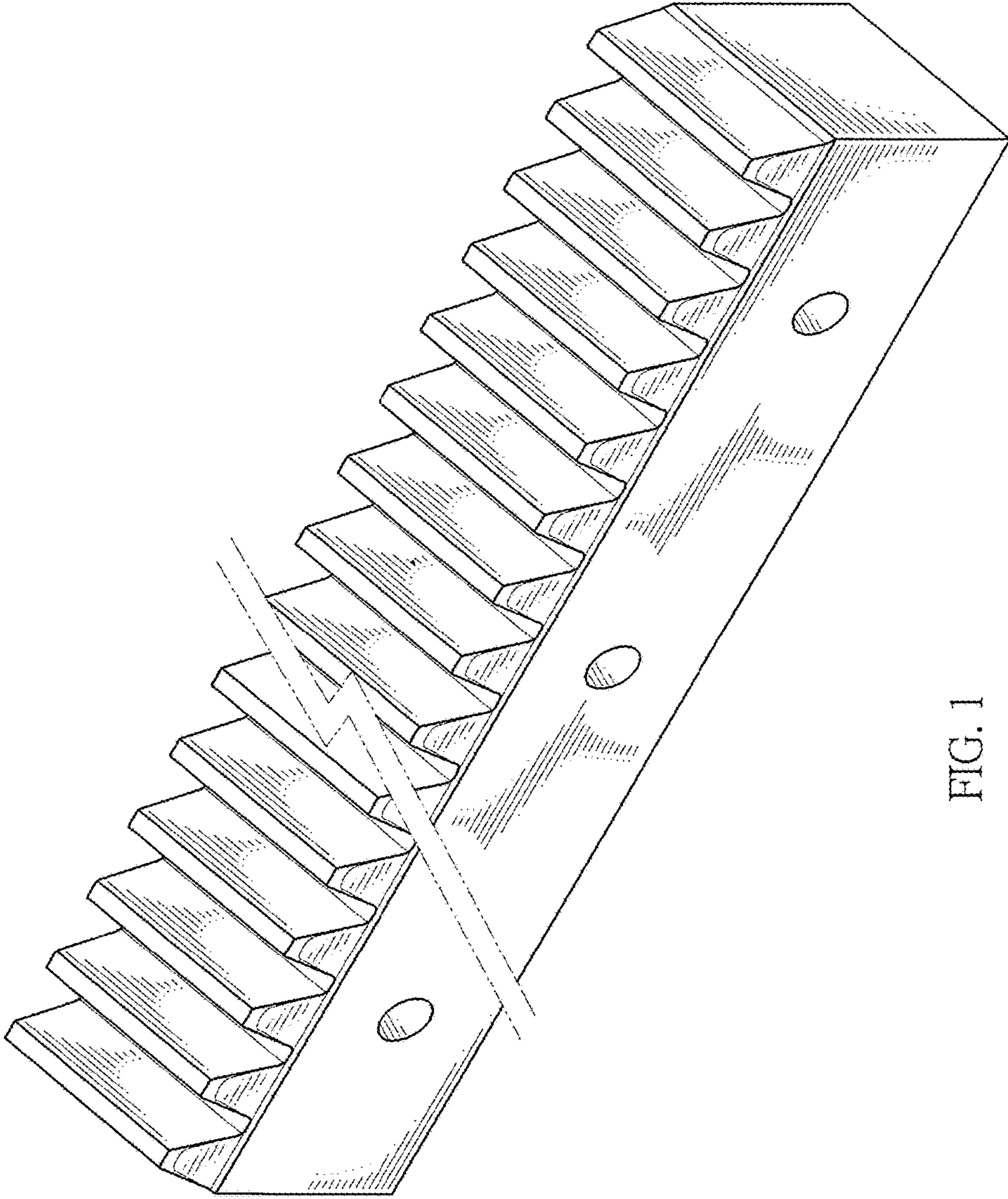


FIG. 1

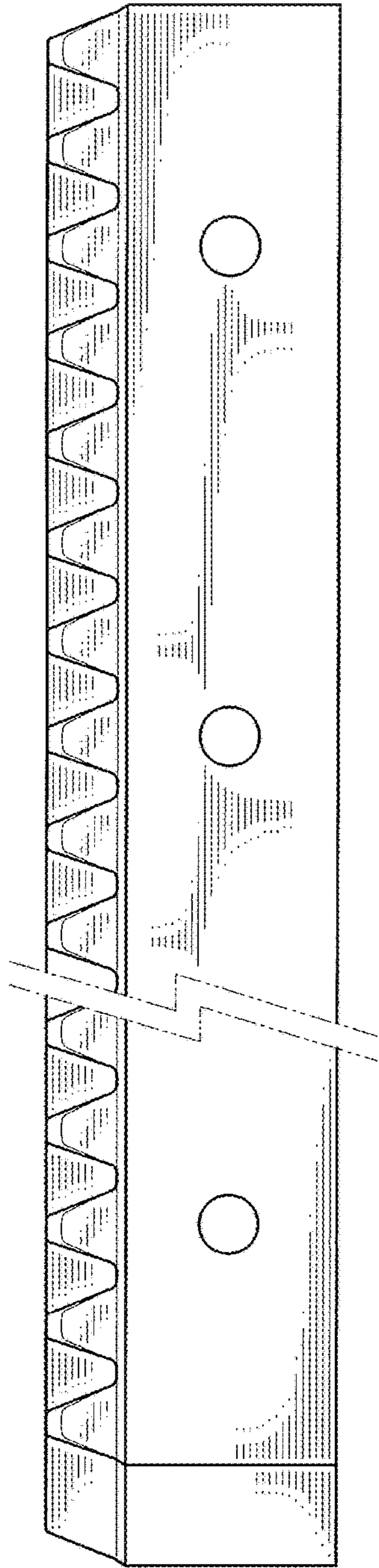


FIG. 2

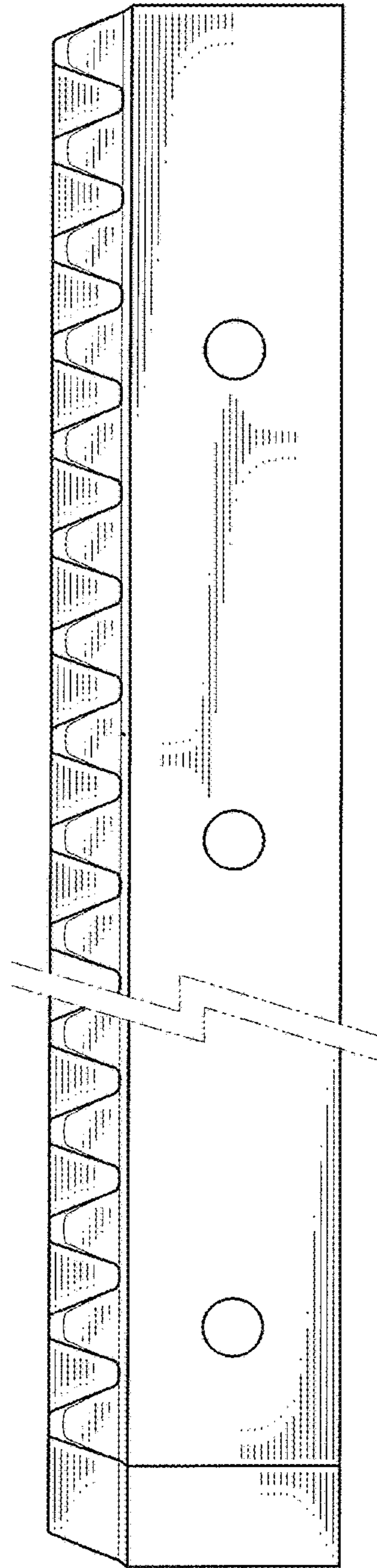


FIG. 3

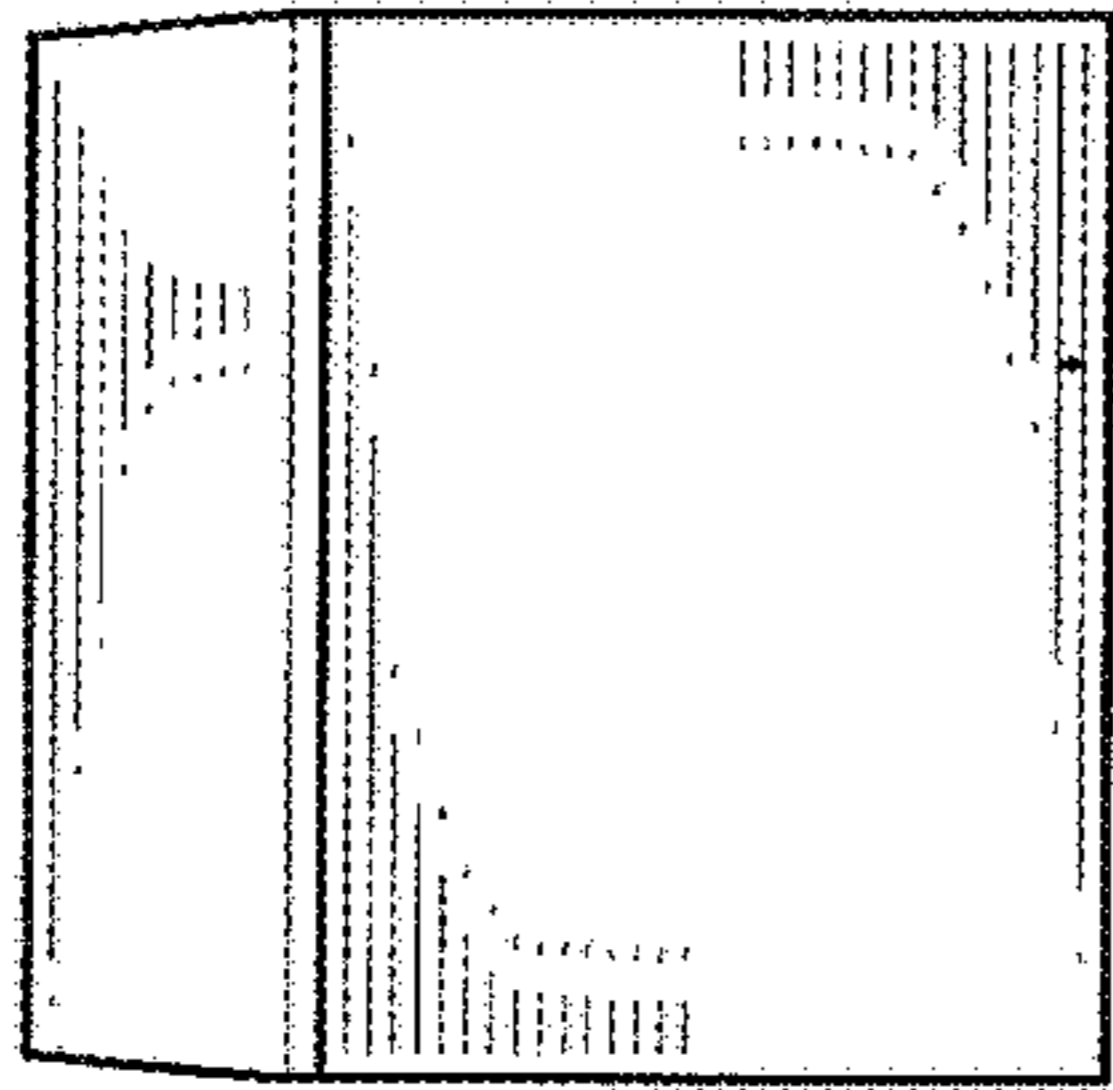


FIG. 4

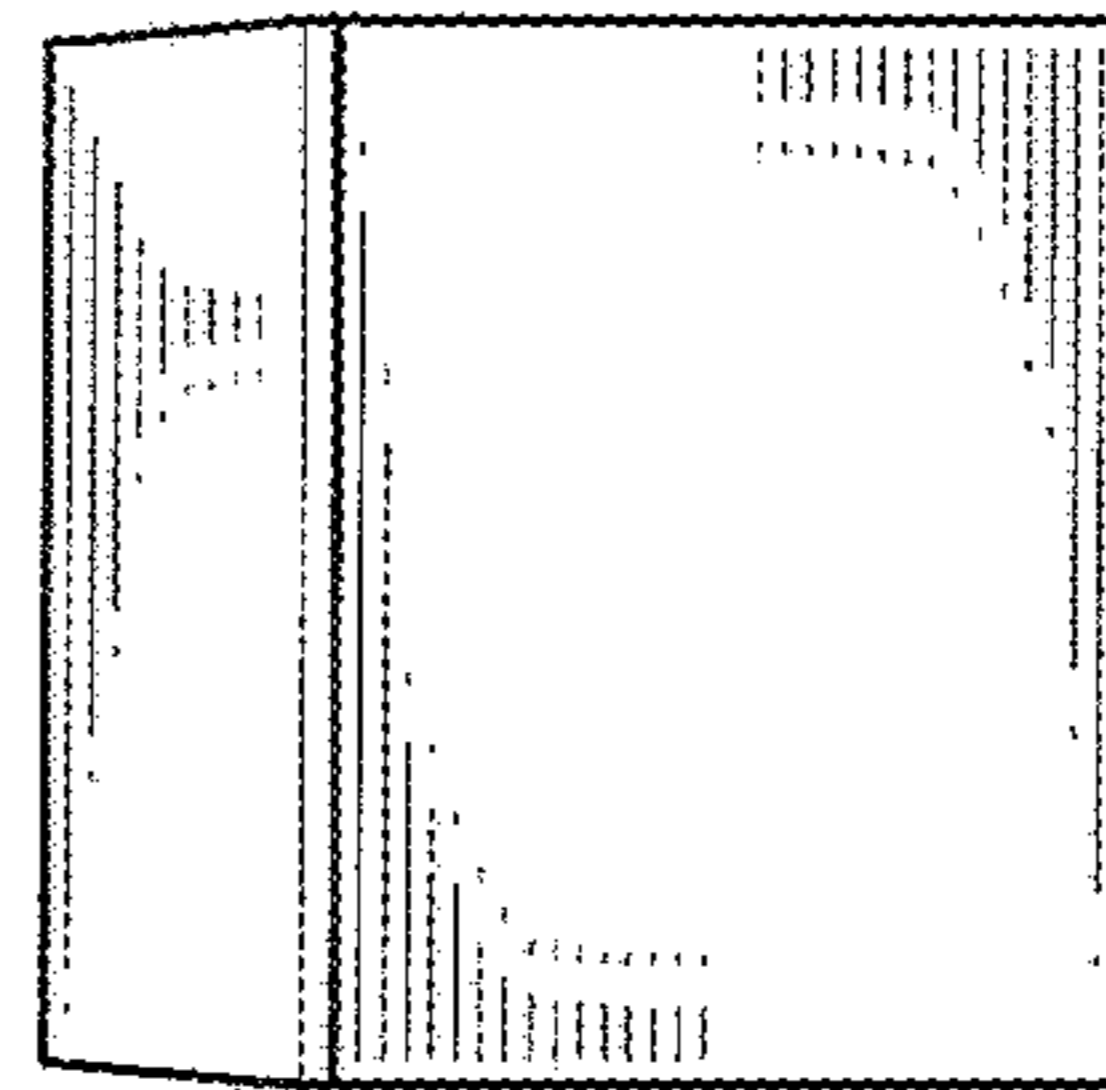


FIG. 5

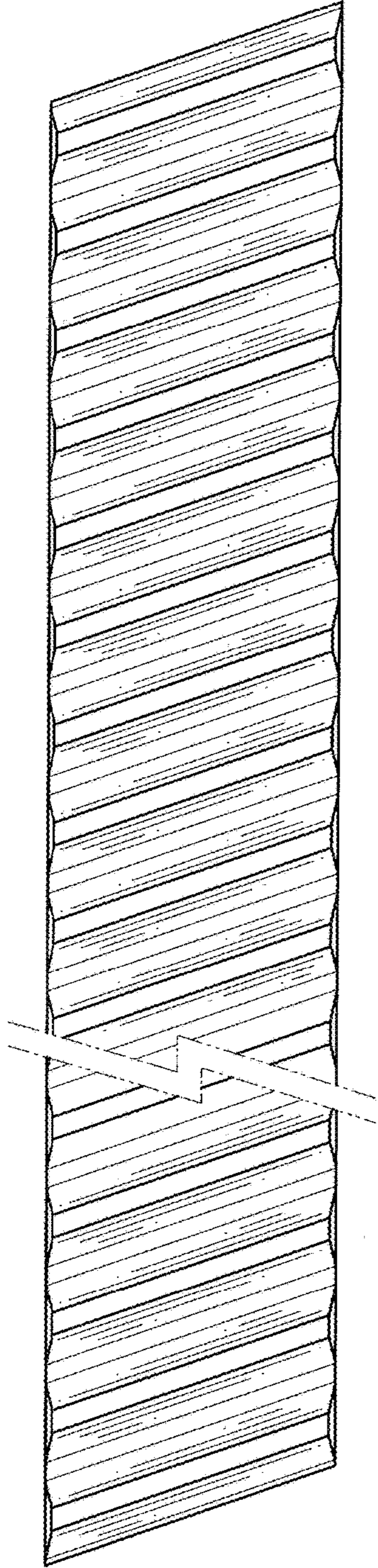


FIG. 6



FIG. 7