



US00D821119S

(12) **United States Design Patent**
Choi

(10) **Patent No.:** **US D821,119 S**
(45) **Date of Patent:** **** Jun. 26, 2018**

(54) **TABLETOP VANITY**
(71) Applicant: **Impressions Vanity Company**, Tustin,
CA (US)
(72) Inventor: **Dong Choi**, Temple City, CA (US)
(73) Assignee: **Impressions Vanity Company**, Tustin,
CA (US)

D524,059 S * 7/2006 Mohundro D6/300
D596,238 S * 7/2009 Huang D20/29
D651,812 S * 1/2012 Lee D14/371
8,727,559 B2 * 5/2014 Boyer A47B 67/005
312/227
D708,459 S * 7/2014 Heirakuji D6/675
D779,217 S * 2/2017 Zhang D6/308
D779,835 S * 2/2017 Zhang D6/300
D785,982 S * 5/2017 Brown D6/675.3
D785,994 S * 5/2017 Brown D6/675.3

(**) Term: **15 Years**
(21) Appl. No.: **29/586,574**

* cited by examiner
Primary Examiner — Kelley Donnelly
(74) *Attorney, Agent, or Firm* — Intellectual Property
Law Group LLP

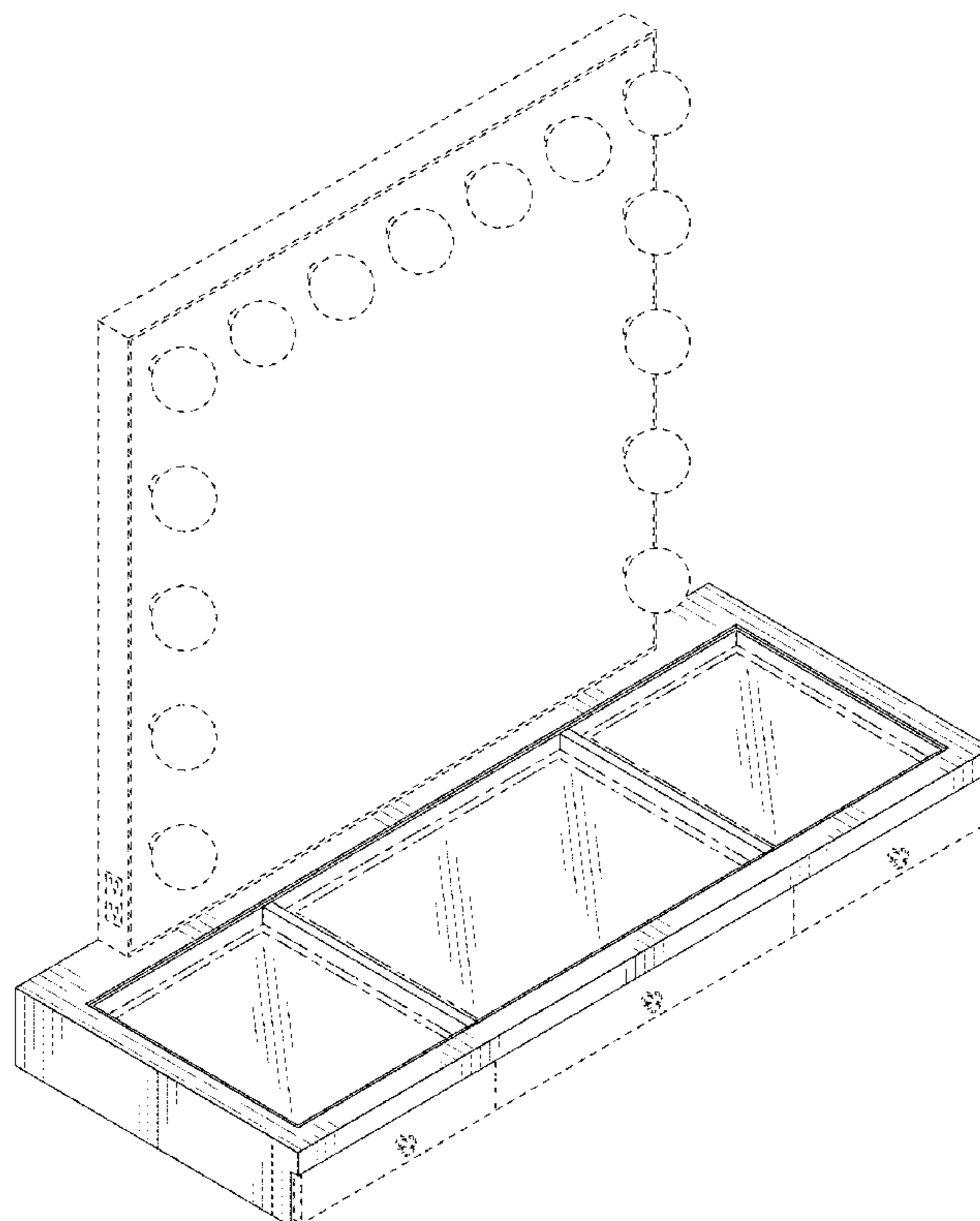
(22) Filed: **Dec. 5, 2016**
(51) **LOC (11) Cl.** **06-06**
(52) **U.S. Cl.**
USPC **D6/675**
(58) **Field of Classification Search**
USPC D6/657, 663, 664, 664.1, 672, 675, 702,
D6/682, 704
CPC A47B 2200/12; A47F 3/00; A47F 3/005;
A47F 5/0043; A47F 3/0439
See application file for complete search history.

(57) **CLAIM**
The ornamental design for a tabletop vanity, as shown and
described.

(56) **References Cited**
U.S. PATENT DOCUMENTS
D439,094 S * 3/2001 Melillo D6/561
D464,206 S * 10/2002 Moncourtois D6/308
6,533,433 B1 * 3/2003 Stark A47G 1/24
362/135
D497,485 S * 10/2004 Resultan D6/300

DESCRIPTION
FIG. 1 is a front perspective view of a tabletop vanity,
embodying my new design;
FIG. 2 is a front view thereof;
FIG. 3 is a rear view thereof
FIG. 4 is a left side view thereof;
FIG. 5 is a right side view thereof;
FIG. 6 is a top plan view thereof; and,
FIG. 7 is bottom plan view thereof.
The broken lines are included for showing features that form
no part of the claim.

1 Claim, 5 Drawing Sheets



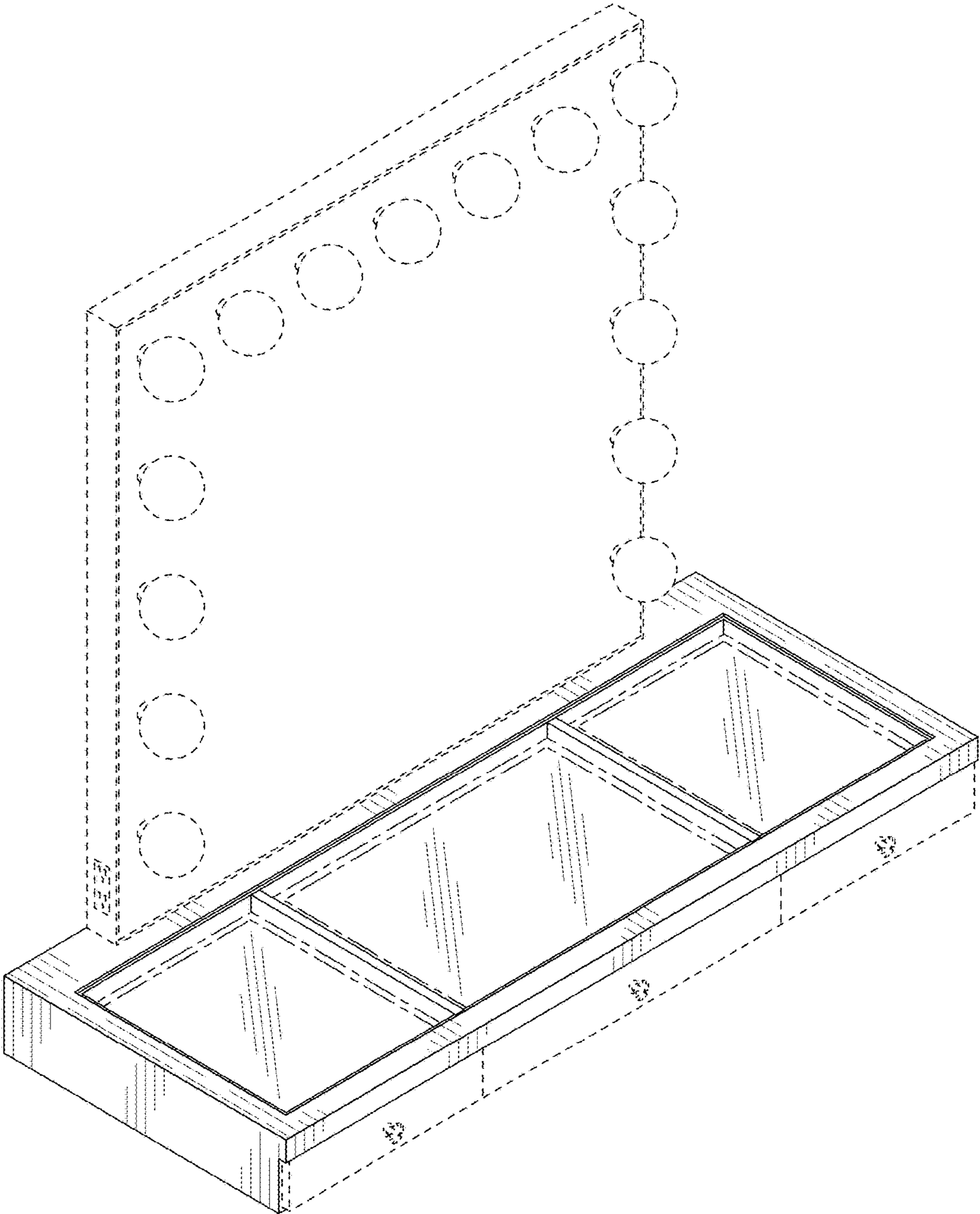


FIG. 1

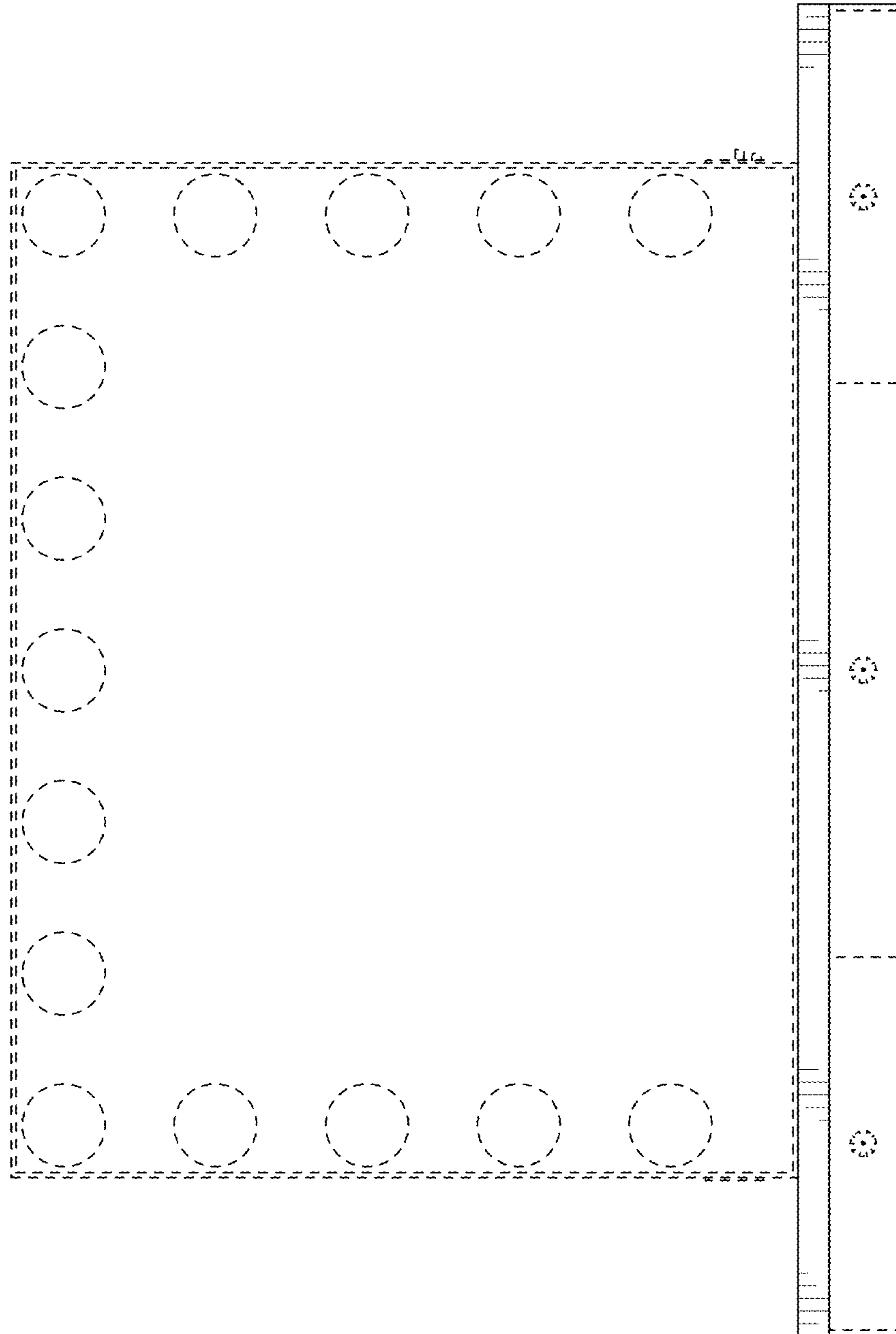


FIG. 2

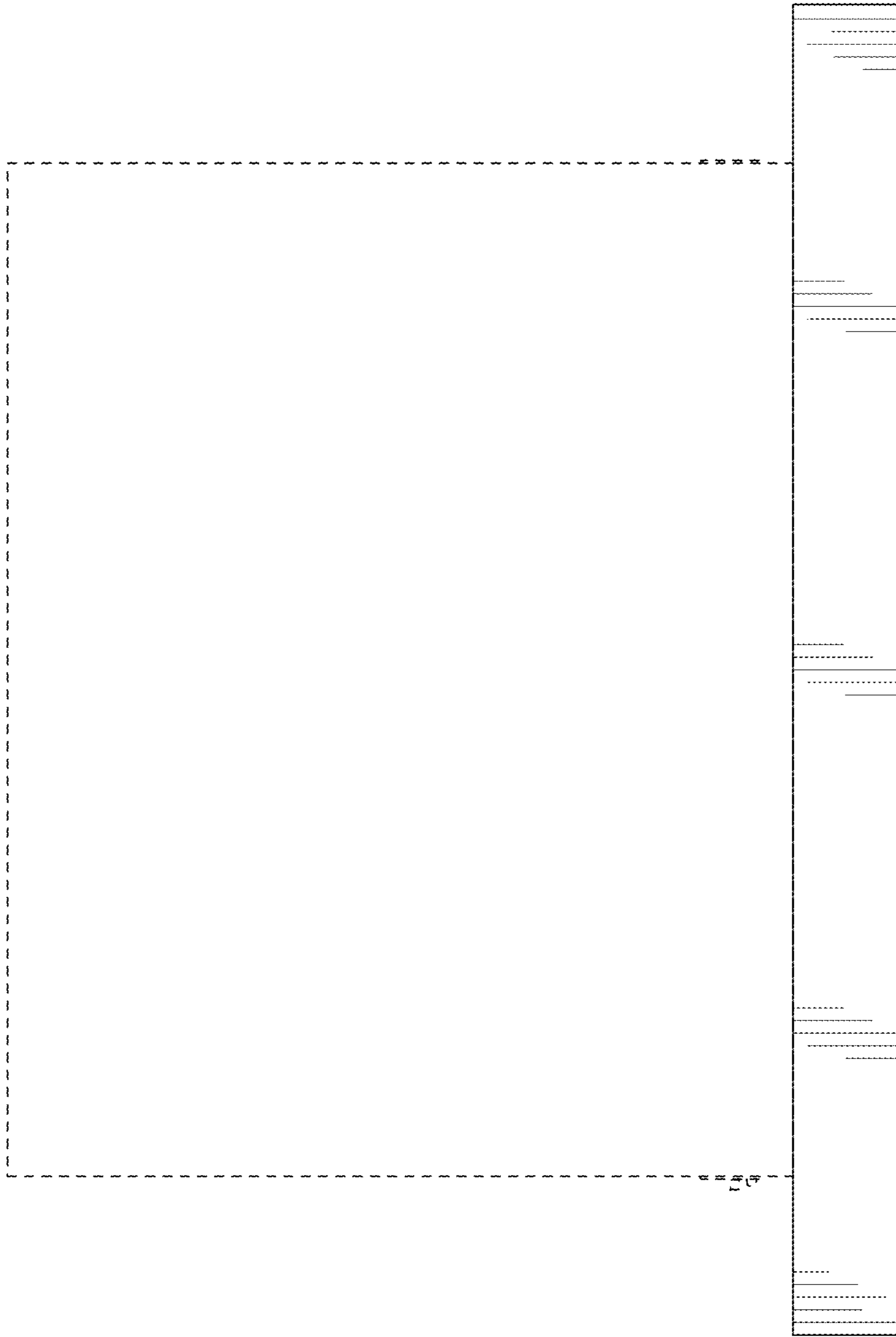


FIG. 3

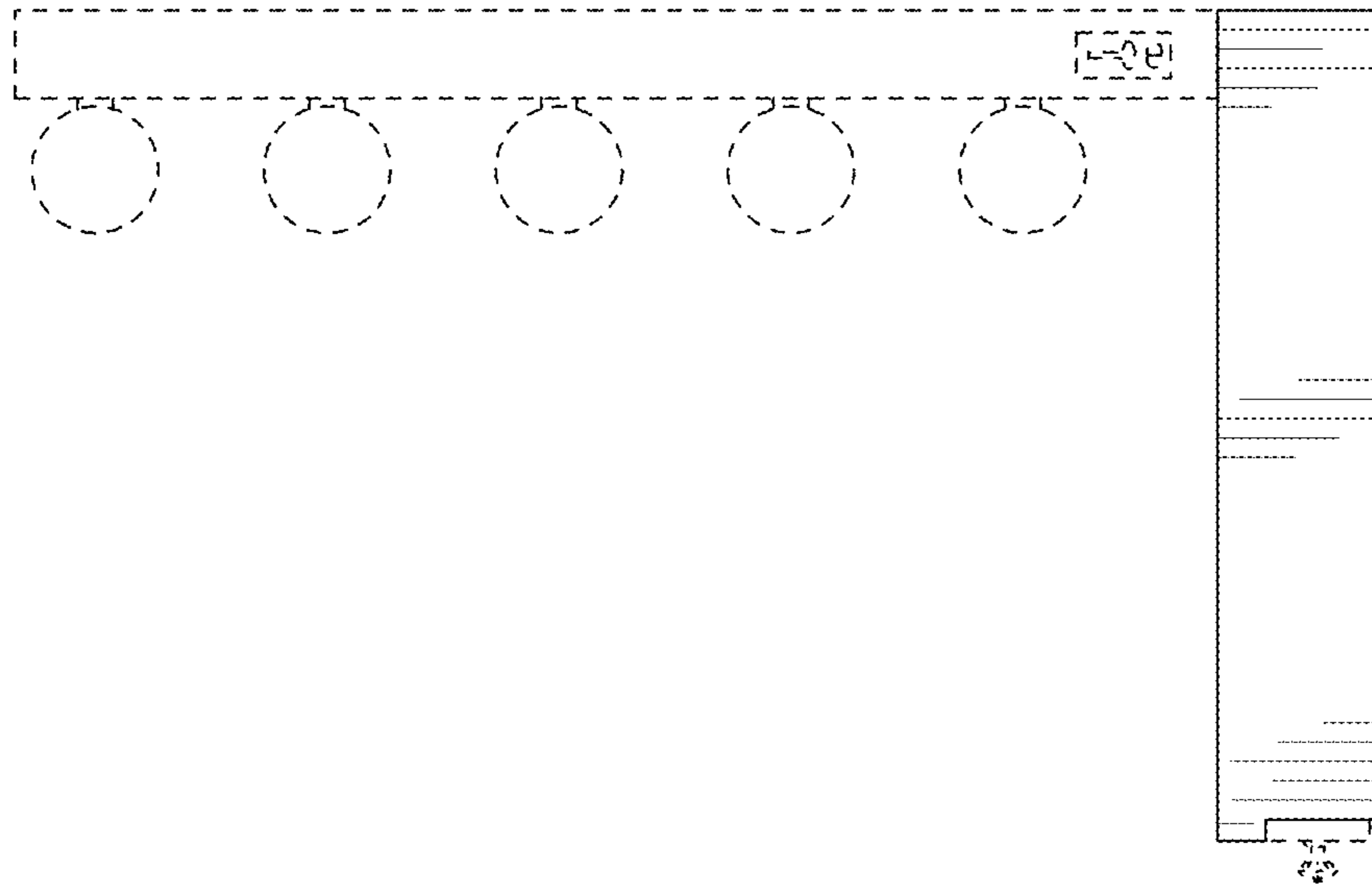


FIG. 5

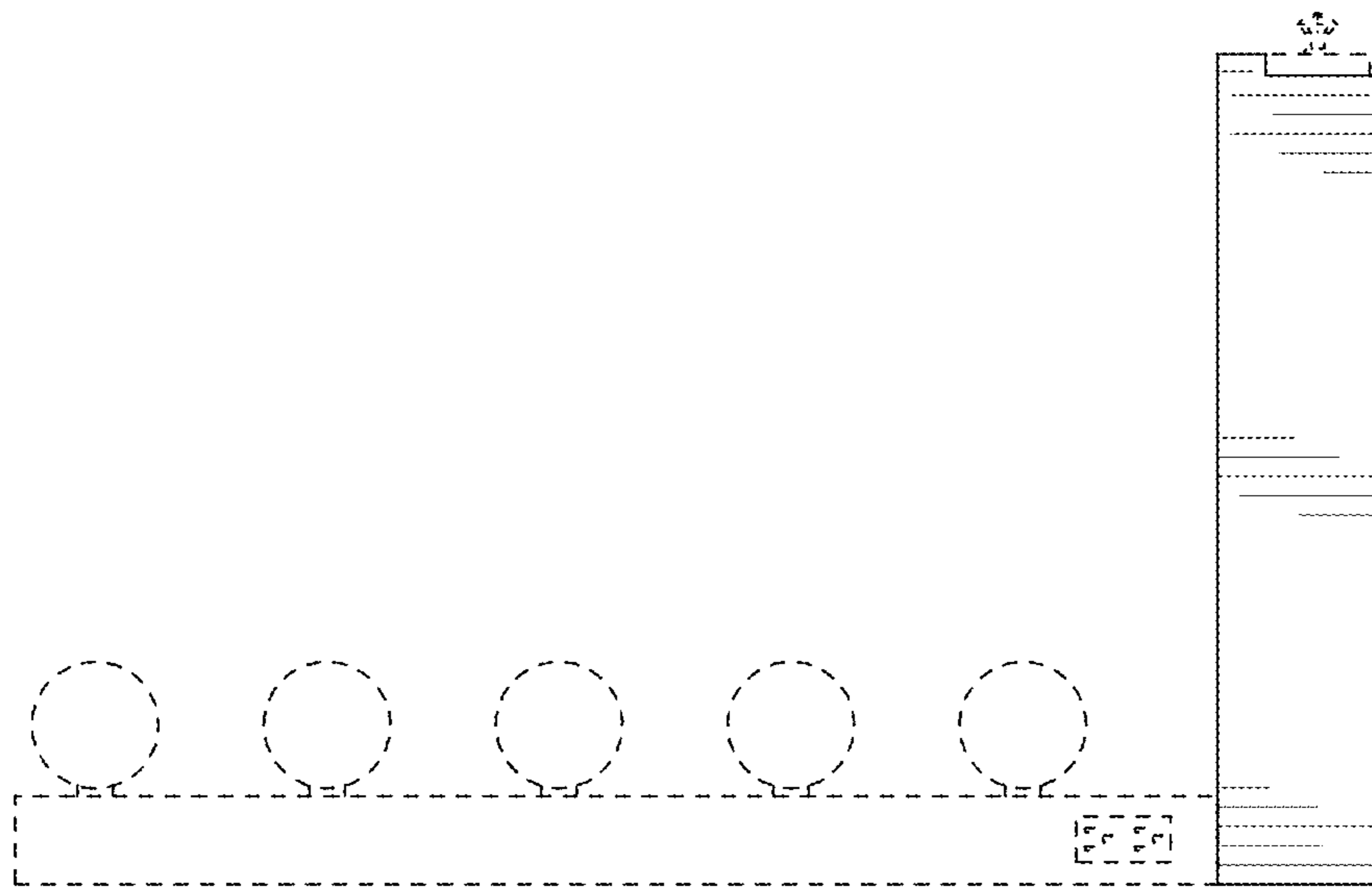


FIG. 4

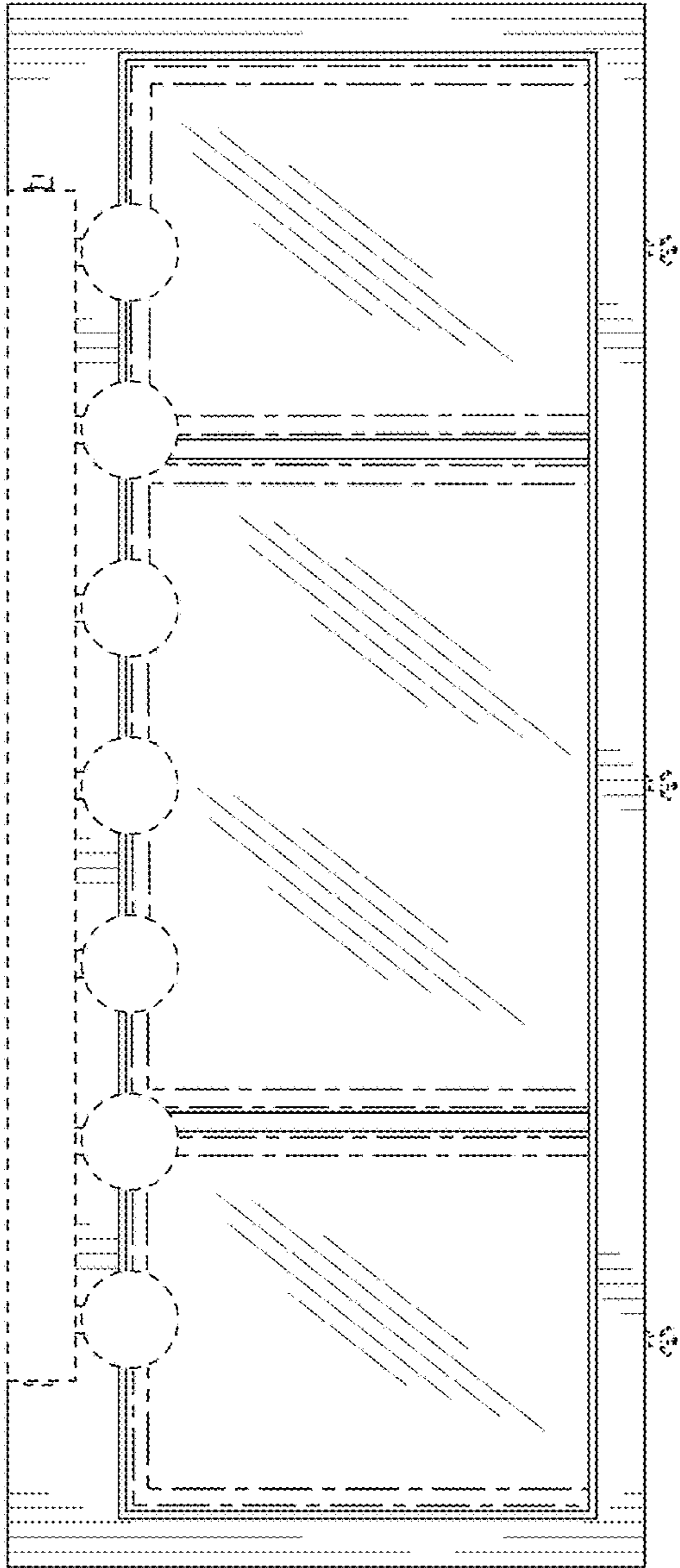


FIG. 6

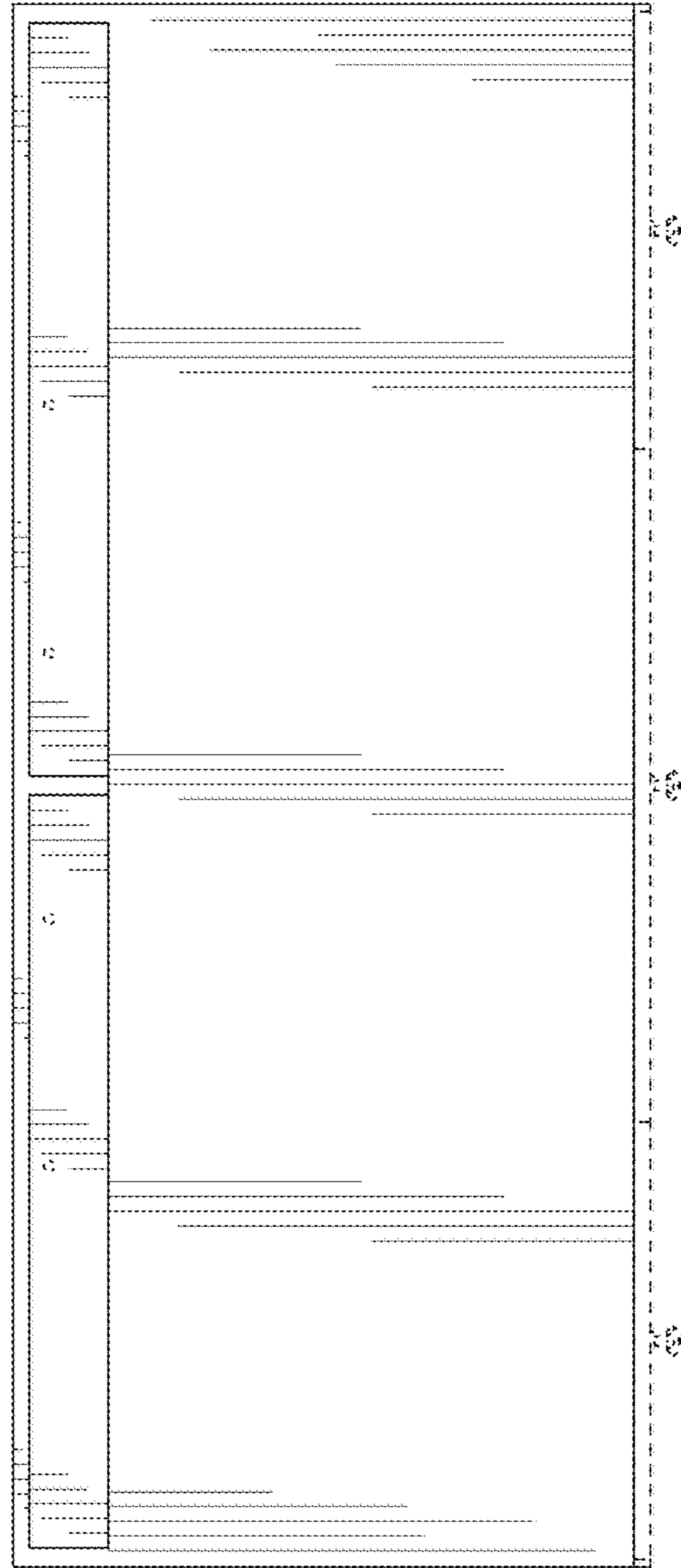


FIG. 7