



US00D821116S

(12) **United States Design Patent** (10) **Patent No.:** **US D821,116 S**
Hamm et al. (45) **Date of Patent:** **** Jun. 26, 2018**

(54) **DISPLAY STRUCTURE**

CPC A47B 47/04; A47B 81/00; A47B 81/061;
A47B 81/06; A47B 81/067; A47F 3/00;
A47F 3/005; A47F 5/0807

(71) Applicant: **Apple Inc.**, Cupertino, CA (US)

See application file for complete search history.

(72) Inventors: **Wesley Bryan Hamm**, San Francisco, CA (US); **Russell John Kaaihue Heirakuji**, Cupertino, CA (US); **Kevin Fenton Smeds**, San Francisco, CA (US); **Frank Craig Thaler**, Santa Cruz, CA (US); **Federico F. Tio**, Santa Cruz, CA (US)

(56) **References Cited**

U.S. PATENT DOCUMENTS

D144,844 S	5/1946	Dunham	
D218,325 S	8/1970	Sherman	
4,116,509 A	9/1978	Smith	
D250,868 S	1/1979	Ornatek	
D274,203 S	6/1984	Everett	
D277,057 S	1/1985	Franklin	
D288,997 S	3/1987	Kraynak	
D290,204 S	6/1987	Bruget	
D321,100 S	10/1991	Dorrell	
D323,944 S	2/1992	Maas	
5,127,719 A	7/1992	Battista	
D332,015 S *	12/1992	Brunner D6/675.1

(Continued)

(73) Assignee: **Apple Inc.**, Cupertino, CA (US)

(**) Term: **15 Years**

Primary Examiner — Kelley Donnelly

(21) Appl. No.: **29/615,122**

(74) *Attorney, Agent, or Firm* — Sterne, Kessler, Goldstein & Fox P.L.L.C.

(22) Filed: **Aug. 25, 2017**

Related U.S. Application Data

(60) Continuation of application No. 29/565,611, filed on May 23, 2016, now Pat. No. Des. 795,613, which is a continuation of application No. 29/489,107, filed on Apr. 25, 2014, now Pat. No. Des. 758,106, which is a continuation of application No. 29/471,331, filed on Oct. 30, 2013, now Pat. No. Des. 729,560, which is a continuation of application No. 29/419,471, filed on Apr. 27, 2012, now Pat. No. Des. 693,156, which is a division of application No. 29/406,695, filed on Nov. 17, 2011, now Pat. No. Des. 679,521, which is a continuation of application No. 29/393,349, filed on Jun. 2, 2011, now Pat. No. Des. 657,978, which is a continuation of application No. 29/393,288, filed on Jun. 1, 2011, now Pat. No. Des. 678,696.

(57) **CLAIM**

The ornamental design for a display structure, as shown and described.

(51) **LOC (11) Cl.** **06-06**

DESCRIPTION

(52) **U.S. Cl.**

USPC **D6/657**

FIG. 1 is a top front perspective view of a display structure showing the claimed design;
FIG. 2 is a front view thereof;
FIG. 3 is a left side view thereof;
FIG. 4 is a right side view thereof; and,
FIG. 5 is a top view thereof.

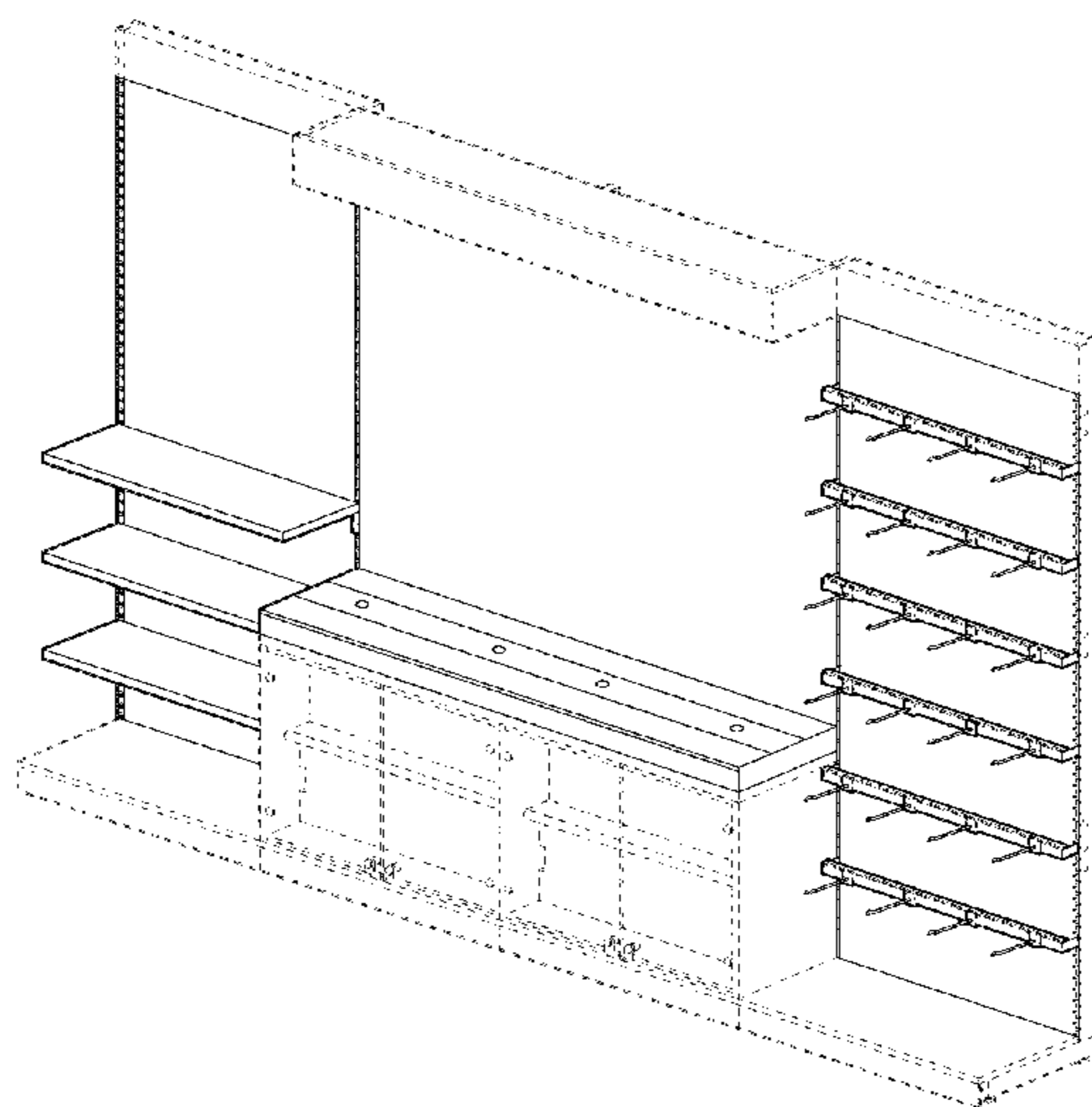
(58) **Field of Classification Search**

USPC D6/657, 660–662, 662.1, 671, 672–673, D6/675–675.1

Portions of the display structure that are not shown form no part of the claimed design.

The broken lines in the figures show portions of the display structure that form no part of the claimed design.

1 Claim, 5 Drawing Sheets



(56)

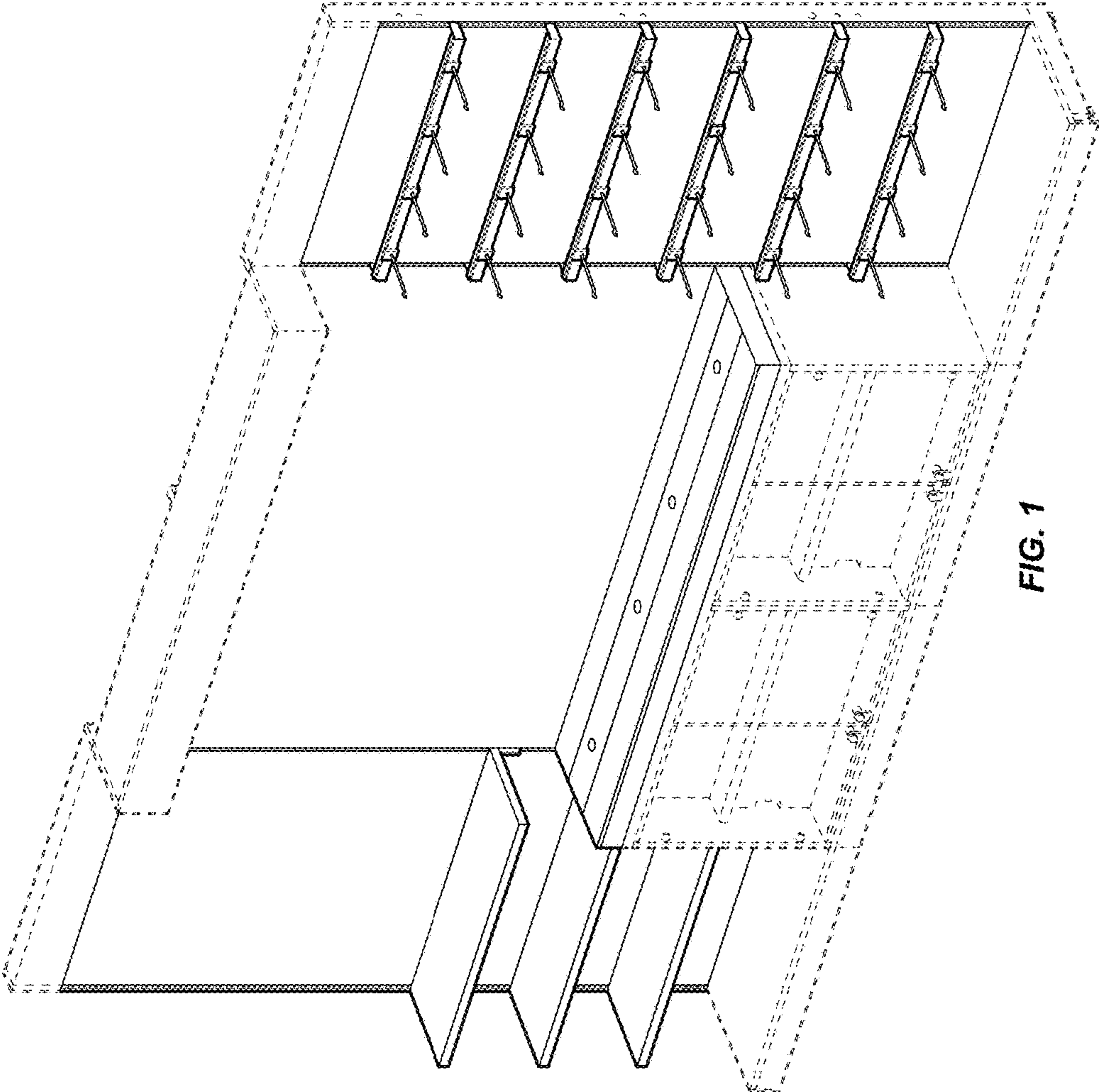
References Cited

U.S. PATENT DOCUMENTS

D347,755 S 6/1994 Houston
 D354,638 S 1/1995 Todd et al.
 D363,623 S * 10/1995 Rushing D6/675.1
 D365,947 S 1/1996 Howard
 D367,372 S * 2/1996 Eng D6/672
 5,577,817 A 11/1996 Reynolds
 D398,462 S 9/1998 Baluk et al.
 D427,808 S 7/2000 Bedard
 D435,362 S 12/2000 Goza
 6,170,678 B1 1/2001 de la Fuente
 D438,403 S 3/2001 Greenburg
 D439,445 S 3/2001 Riga et al.
 D442,796 S 5/2001 Brozak
 D444,314 S 7/2001 Cox
 D448,202 S 9/2001 Brooking et al.
 D457,016 S 5/2002 Dudley
 D458,059 S 6/2002 Dudley
 D501,284 S 1/2005 Mount
 D515,846 S 2/2006 Reeves et al.
 D521,275 S 5/2006 Dusenberry
 D522,274 S 6/2006 Coval
 D538,068 S 3/2007 Newhouse et al.
 D538,556 S 3/2007 Arias
 D543,561 S 5/2007 Fogarty et al.
 D559,581 S 1/2008 Knoettgen-Nap
 D576,426 S 9/2008 Yuen-Schat et al.
 D590,630 S 4/2009 Singler et al.
 D591,078 S 4/2009 Singler et al.
 D591,079 S 4/2009 Singler et al.
 D591,974 S 5/2009 Singler et al.
 D591,979 S 5/2009 Singler et al.
 D592,422 S 5/2009 Rheault
 D593,775 S 6/2009 Singler et al.
 D597,340 S 8/2009 Helgesen et al.

D607,669 S 1/2010 Trinh et al.
 D607,670 S 1/2010 Trinh et al.
 D608,565 S 1/2010 Mori
 D610,832 S 3/2010 Rheault
 D632,903 S 2/2011 Paul
 D637,421 S 5/2011 Theisen et al.
 D637,422 S 5/2011 Theisen et al.
 D641,989 S 7/2011 Giroux et al.
 D641,992 S 7/2011 Giroux et al.
 D642,824 S 8/2011 Theisen et al.
 D644,039 S 8/2011 Naples et al.
 D646,503 S 10/2011 Fiori
 D648,783 S 11/2011 Mathea
 D649,192 S 11/2011 Beukema et al.
 D653,475 S 2/2012 Thompson
 D655,947 S 3/2012 Doane
 D657,978 S 4/2012 Hamm et al.
 D661,922 S 6/2012 Mitri
 D678,696 S 3/2013 Hamm et al.
 D679,521 S 4/2013 Hamm et al.
 D680,350 S 4/2013 Peake-Atkins et al.
 D688,494 S 8/2013 Hamm et al.
 D693,156 S 11/2013 Hamm et al.
 D732,319 S 6/2015 Engebretson
 D732,854 S 6/2015 Engebretson
 D741,094 S 10/2015 Martell et al.
 D758,105 S * 6/2016 Taraczky D6/672
 D776,460 S * 1/2017 Ben Messaoud D6/659
 D776,461 S * 1/2017 Ben Messaoud D6/659
 D784,051 S * 4/2017 Rosensweet D6/657
 D787,869 S 5/2017 Denby et al.
 D806,447 S * 1/2018 Burton D6/657
 2005/0279033 A1 * 12/2005 Faber E04B 2/7433
 52/36.4
 2007/0170823 A1 * 7/2007 Stannis A47B 81/06
 312/7.2

* cited by examiner



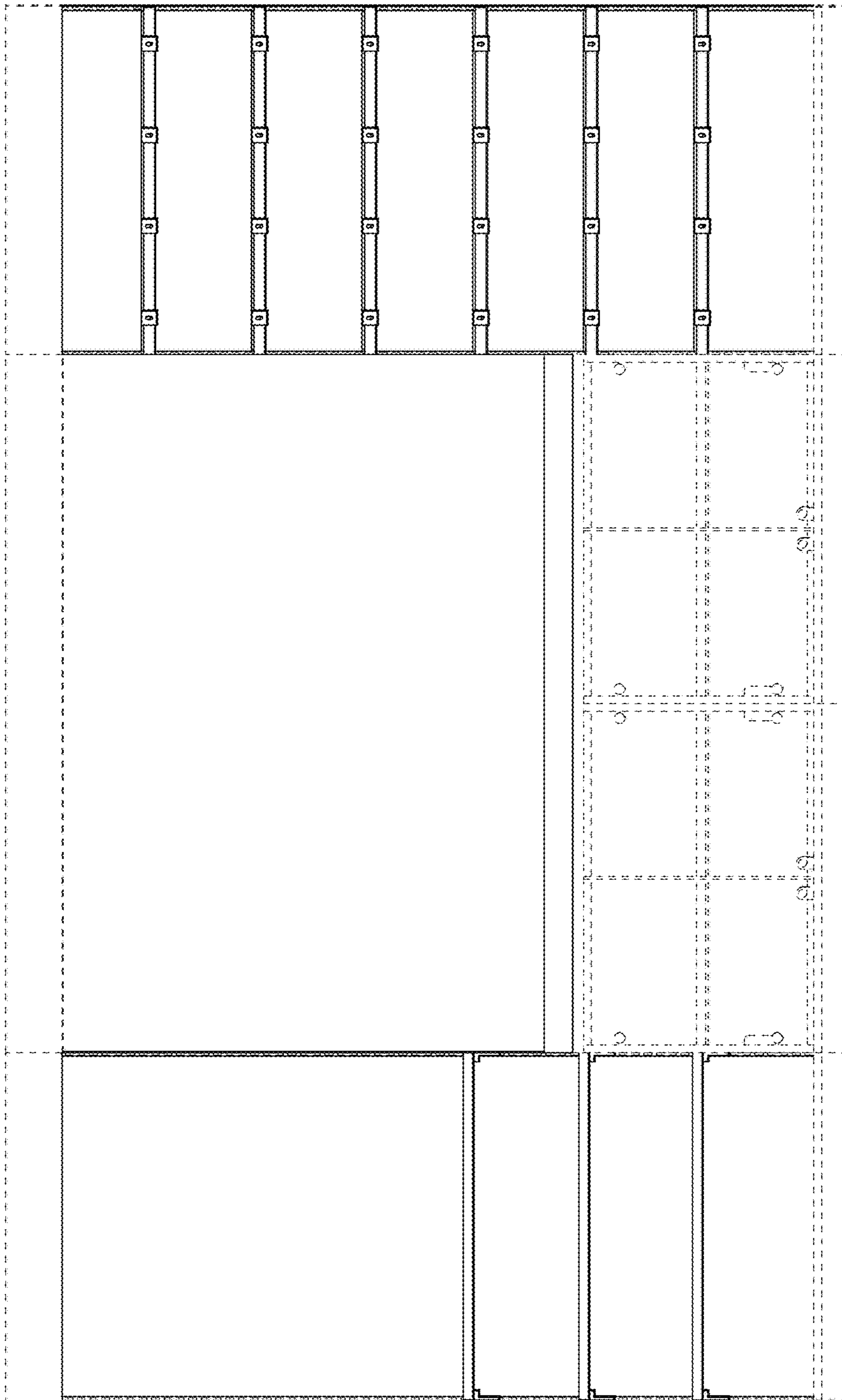


FIG. 2

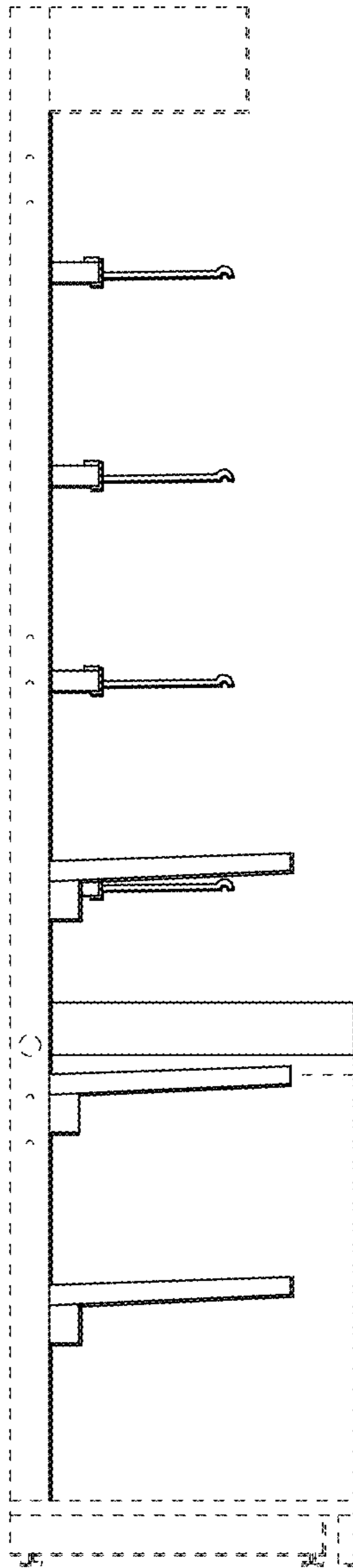


FIG. 3

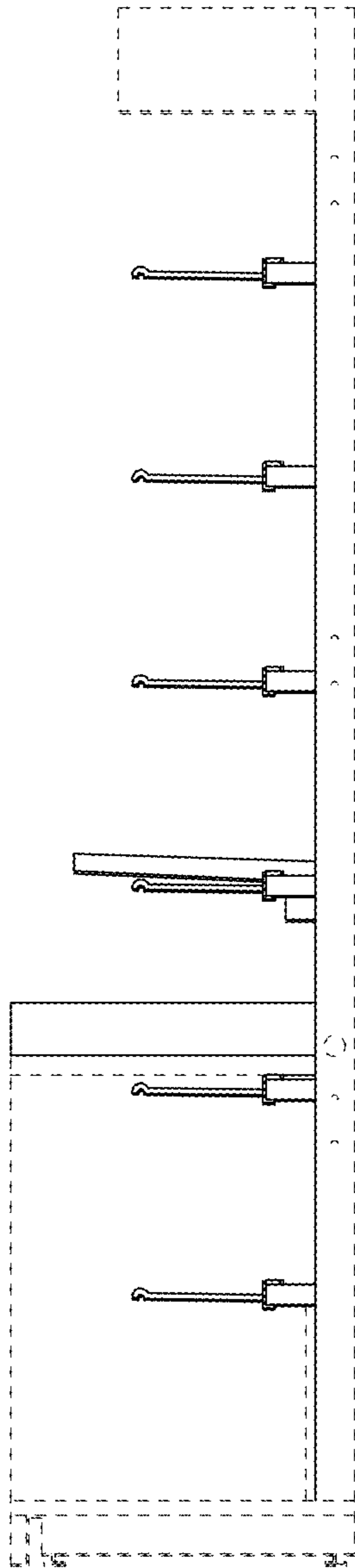


FIG. 4

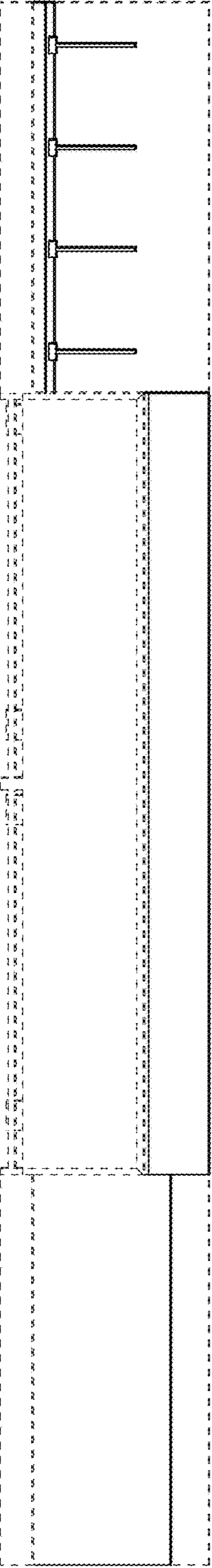


FIG. 5