



US00D821112S

(12) **United States Design Patent** (10) **Patent No.:** **US D821,112 S**
Cannamela et al. (45) **Date of Patent:** **** Jun. 26, 2018**

(54) **CONTAINER**

D9/682-694, 500-505, 516, 517, 520,
D9/526, 529, 544-575, 715, 719,
D9/763-783, 434-436, 443, 445,
(Continued)

(71) Applicant: **Johnson & Johnson Consumer Inc.,**
Skillman, NJ (US)

(72) Inventors: **Michael Cannamela**, Atlantic
Highlands, NJ (US); **Evan Rhodes**,
Brooklyn, NY (US); **Max Knecht**,
Brooklyn, NY (US); **Anthony B. Gallo,**
Jr., Warren, NJ (US); **Aimee Sealfon**,
Brooklyn, NY (US); **Ernesto**
Quinteros, South Orange, NJ (US);
Timothy O'Toole, Jersey City, NJ
(US); **Raffaele Mazzei**, Montclair, NJ
(US); **Melissa Dandy**, Hillsborough, NJ
(US); **Sabrina Adami**, Hard (AT);
Stephane Robic, Val de Reuil (FR);
Fabrizio Camplone, Pescara (IT);
Simone Nenning, Hard (AT)

(56)

References Cited

U.S. PATENT DOCUMENTS

D204,707 S 5/1966 Abbott
3,342,379 A 9/1967 Foley
(Continued)

OTHER PUBLICATIONS

U.S. Appl. No. 29/564,550, filed May 13, 2016, Johnson & Johnson
Consumer Inc.

(Continued)

Primary Examiner — David G Muller

Assistant Examiner — Nathan M Johnston

(73) Assignee: **Johnson & Johnson Consumer Inc.,**
Skillman, NJ (US)

(74) *Attorney, Agent, or Firm* — Laura A. Donnelly

(**) Term: **15 Years**

(57)

CLAIM

(21) Appl. No.: **29/583,225**

The ornamental design for a container, as shown and
described.

(22) Filed: **Nov. 3, 2016**

DESCRIPTION

Related U.S. Application Data

(63) Continuation-in-part of application No. 29/564,562,
filed on May 13, 2016.

(51) **LOC (11) Cl.** **23-02**

(52) **U.S. Cl.**
USPC **D6/542**

(58) **Field of Classification Search**
USPC D6/542, 512, 524, 543, 544, 545;
222/153.01, 153.11, 153.12, 153.13,
222/153.14, 631, 635, 321.1, 321.6-322,
222/325-327, 372, 378, 379, 382, 383.1,
222/398, 400.7, 401, 402, 402.1-402.25;

FIG. 1 is a top perspective view of the back side of a
container showing our new design.

FIG. 2 is a bottom perspective view of the front side thereof.

FIG. 3 is a front elevational view thereof.

FIG. 4 is a right side elevational view thereof.

FIG. 5 is a rear elevational view thereof.

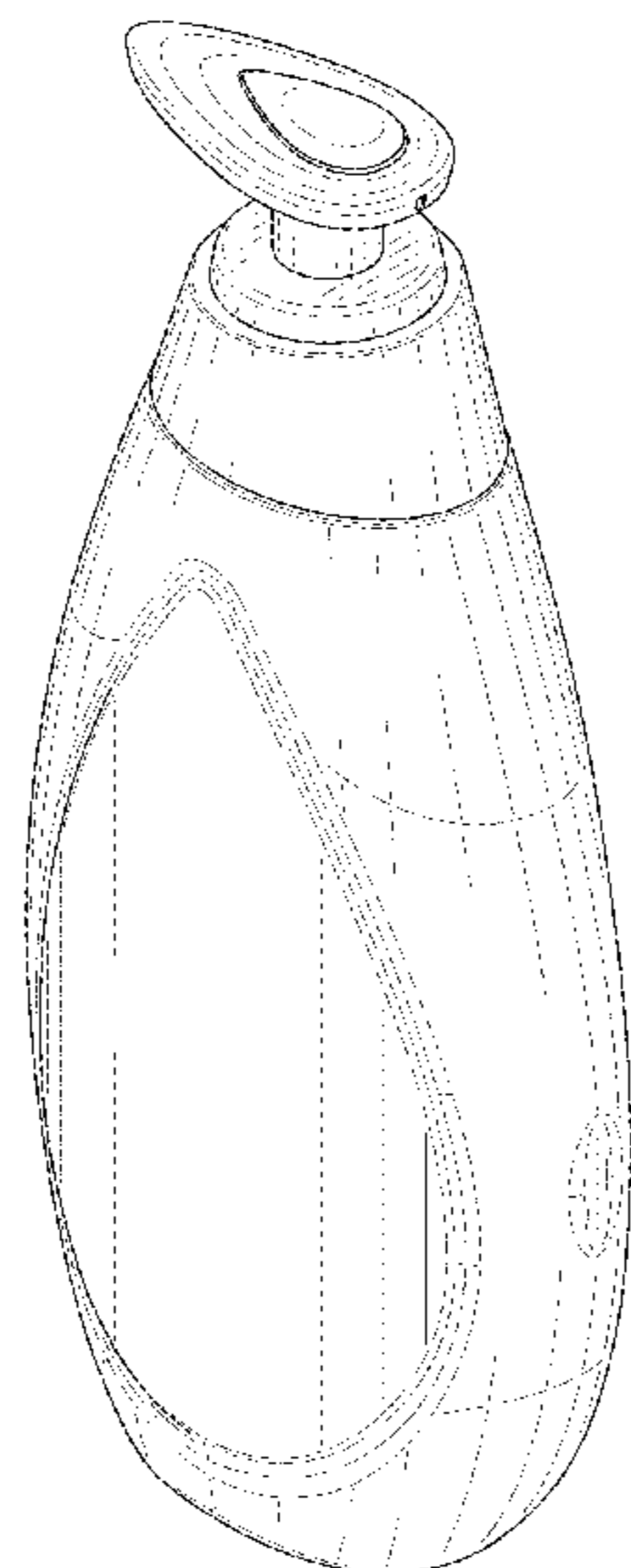
FIG. 6 is a left side elevational view thereof.

FIG. 7 is a top plan view thereof; and,

FIG. 8 is a bottom plan view thereof.

The ornamental design which is claimed is shown in solid
lines in the drawings.

1 Claim, 6 Drawing Sheets



(58) **Field of Classification Search**
 USPC D9/447-450; 215/379-382;
 220/669-675
 CPC B65D 1/0223; B65D 2501/0036; B65D
 2501/0081
 See application file for complete search history.

(56) **References Cited**
 U.S. PATENT DOCUMENTS

D212,278 S * 9/1968 Weckman D9/550
 D225,834 S 1/1973 Kneapler
 D241,418 S 9/1976 Koenigsberg
 D245,225 S 8/1977 Lyons
 D257,504 S 11/1980 Weckman
 D272,988 S 3/1984 Podall et al.
 D274,309 S 6/1984 Aldrich, III
 D296,526 S 7/1988 von Schuckmann
 D314,688 S 2/1991 Guillerm
 D323,602 S 2/1992 Katz
 D324,998 S 3/1992 Klapwald
 D332,223 S 1/1993 Albertson
 D332,913 S 2/1993 Carroll
 D336,614 S 6/1993 Crawford
 D337,496 S 7/1993 Laubach et al.
 D342,452 S 12/1993 Monaghan
 D346,740 S 5/1994 Charet et al.
 D349,057 S 7/1994 Farce
 D351,794 S 10/1994 Foster
 D376,310 S 12/1996 Crawford
 D379,923 S 6/1997 De Baschmakoff
 D383,390 S 9/1997 Abfier et al.
 5,667,107 A 9/1997 Lindsey
 D389,059 S 1/1998 Mascitelli
 D389,407 S 1/1998 Mascitelli
 D392,561 S 3/1998 Markey et al.
 D392,898 S 3/1998 Butler et al.
 D398,225 S 9/1998 Zaksenberg
 D398,238 S 9/1998 Bertolini et al.
 D398,529 S 9/1998 Mascitelli
 D399,747 S 10/1998 Bertolini et al.
 D412,978 S 8/1999 Cameron
 D414,103 S 9/1999 Crawford
 D415,427 S 10/1999 Durliat
 5,996,850 A 12/1999 Morali et al.
 D419,446 S 1/2000 Durliat
 D419,883 S 2/2000 Heydenburg et al.
 D427,072 S 6/2000 Gaffney et al.
 D427,073 S 6/2000 Gaffney et al.
 D428,344 S 7/2000 Preston
 D428,816 S 8/2000 Shiokawa et al.
 D434,984 S 12/2000 Wadsworth
 D436,863 S 1/2001 Wadsworth et al.
 D438,113 S 2/2001 Wadsworth
 D438,468 S 3/2001 Wadsworth
 D438,798 S 3/2001 Wadsworth
 D446,724 S 8/2001 Fenton et al.
 D447,694 S 9/2001 Leggett
 D447,953 S 9/2001 Brynestad et al.
 D450,593 S 11/2001 Jebb et al.
 D458,136 S 6/2002 Bakic
 D458,137 S 6/2002 Bakic
 D458,539 S 6/2002 Bakic
 D460,348 S 7/2002 Crawford et al.
 D467,799 S 12/2002 Persson
 D468,423 S 1/2003 Renfrew
 D468,643 S 1/2003 Kuzma et al.
 D470,043 S 2/2003 Crawford
 D471,105 S 3/2003 González Fernández
 D484,403 S 12/2003 Crawford
 D485,747 S 1/2004 Crawford
 D486,065 S 2/2004 Hutchinson et al.
 D486,395 S 2/2004 Lovell et al.
 D486,737 S 2/2004 Oates
 D489,614 S 5/2004 Pinnavaia
 D489,616 S 5/2004 Bakic
 D491,813 S 6/2004 Calello

D496,202 S 9/2004 Hansen
 D498,145 S * 11/2004 McLeish D9/563
 D498,415 S 11/2004 Schuller et al.
 D502,110 S 2/2005 Theunynck
 D503,890 S 4/2005 Thunberg et al.
 D507,486 S 7/2005 Wang
 D509,441 S 9/2005 Wilson et al.
 D510,029 S 9/2005 Marcot
 D510,033 S * 9/2005 McLeish D9/563
 D513,189 S 12/2005 Busa, Jr. et al.
 D514,948 S * 2/2006 Busa, Jr. D9/551
 D523,144 S 6/2006 Wenger et al.
 D526,569 S 8/2006 Wurster et al.
 D527,258 S 8/2006 Crawford
 D527,640 S 9/2006 Cummings et al.
 D528,911 S 9/2006 Turne
 D528,912 S 9/2006 van der Heijden et al.
 D528,913 S 9/2006 Penfold et al.
 D529,384 S 10/2006 van der Heijden et al.
 D529,392 S * 10/2006 Little D9/563
 D532,637 S 11/2006 Bassett et al.
 D536,971 S 2/2007 Arminak
 D536,972 S 2/2007 van der Heijden et al.
 D536,973 S 2/2007 van der Heijden et al.
 D538,665 S 3/2007 Wilson et al.
 D538,673 S * 3/2007 Sterling D9/552
 D539,648 S 4/2007 Arminak
 D540,680 S 4/2007 Perry et al.
 D542,663 S 5/2007 Dziersk et al.
 D543,106 S 5/2007 Foster et al.
 D543,460 S 5/2007 Perry et al.
 D546,693 S 7/2007 Okin et al.
 D547,655 S 7/2007 van der Heijden et al.
 D547,656 S 7/2007 van der Heijden et al.
 D548,079 S 8/2007 van der Heijden et al.
 D548,596 S 8/2007 van der Heijden et al.
 D548,599 S 8/2007 Blasko
 D550,965 S 9/2007 Kaposi
 D552,230 S 10/2007 Collins et al.
 D552,730 S 10/2007 Collins et al.
 D555,001 S 11/2007 Perry et al.
 D555,003 S 11/2007 Perry et al.
 D558,590 S * 1/2008 Cowan-Hughes D9/682
 D559,705 S 1/2008 Sparks et al.
 D563,789 S 3/2008 Mongeon et al.
 D565,422 S 4/2008 Cowan-Hughes et al.
 D567,107 S 4/2008 Crawford et al.
 D567,655 S 4/2008 Arminak
 D568,154 S 5/2008 Arminak
 D569,248 S 5/2008 Seum et al.
 D569,725 S 5/2008 Adamson et al.
 D570,219 S 6/2008 Blasko
 D574,707 S 8/2008 Pietrowski et al.
 D575,643 S 8/2008 Florio
 7,413,082 B2 8/2008 Adler et al.
 D579,773 S 11/2008 Ribera Turro et al.
 D581,787 S 12/2008 Davis et al.
 D582,768 S 12/2008 Cantoni et al.
 D582,769 S 12/2008 Turchi
 D582,770 S 12/2008 Turchi
 D582,771 S 12/2008 Cantoni
 D583,233 S 12/2008 Cantoni et al.
 D584,616 S 1/2009 Ribera Turro et al.
 D585,290 S 1/2009 Toh
 D586,212 S 2/2009 Allen et al.
 D587,574 S 3/2009 Cantoni et al.
 D587,577 S 3/2009 Ribera Turro et al.
 D587,591 S 3/2009 Crawford
 D588,005 S 3/2009 Boes et al.
 D588,006 S 3/2009 Boes et al.
 D588,459 S 3/2009 Davis et al.
 D588,460 S 3/2009 Davis et al.
 D588,461 S 3/2009 Davis et al.
 D588,462 S 3/2009 Davis et al.
 D589,357 S * 3/2009 Crawford D9/563
 D592,957 S 5/2009 Davis et al.
 D595,132 S 6/2009 Tseng
 D595,582 S 7/2009 Cowan-Hughes et al.
 D598,750 S 8/2009 Boes et al.

(56)

References Cited

U.S. PATENT DOCUMENTS

D598,758 S 8/2009 Hilliard, Jr. et al.
 D598,759 S 8/2009 Hilliard, Jr. et al.
 D598,760 S 8/2009 Hilliard, Jr. et al.
 D598,761 S 8/2009 Hilliard, Jr. et al.
 D598,762 S 8/2009 Hilliard, Jr. et al.
 D598,763 S 8/2009 Hilliard, Jr. et al.
 D598,764 S 8/2009 Hilliard, Jr. et al.
 D598,765 S 8/2009 Hilliard, Jr. et al.
 D598,766 S 8/2009 Hilliard, Jr. et al.
 D598,767 S 8/2009 Hilliard, Jr. et al.
 D598,768 S 8/2009 Hilliard, Jr. et al.
 D599,207 S 9/2009 Hilliard, Jr. et al.
 D600,553 S 9/2009 Dubitsky et al.
 D600,554 S 9/2009 Toh et al.
 D601,897 S 10/2009 Contiero et al.
 D601,899 S 10/2009 Davis et al.
 D601,907 S 10/2009 Gainey et al.
 D607,735 S 1/2010 Kuzma et al.
 D610,019 S 2/2010 Navarro et al.
 D610,261 S 2/2010 Strother et al.
 D610,910 S 3/2010 Simmons et al.
 D611,830 S 3/2010 Casey et al.
 D611,831 S 3/2010 Cummings et al.
 D612,264 S 3/2010 Miksovsky
 D612,741 S 3/2010 Miksovsky
 D613,176 S 4/2010 Gamos et al.
 D613,397 S 4/2010 Nakao et al.
 D618,554 S 6/2010 Bruscha et al.
 D619,008 S 7/2010 Handy et al.
 D628,490 S 12/2010 Sato et al.
 D633,807 S * 3/2011 Fahy D9/563
 D634,637 S 3/2011 Gentil
 D636,262 S 4/2011 Michitsuji et al.
 D638,713 S 5/2011 de Cleir et al.
 D638,714 S 5/2011 de Cleir et al.
 D638,715 S 5/2011 Albaum et al.
 D643,737 S 8/2011 Handy
 D646,576 S 10/2011 Davis et al.
 D649,457 S 11/2011 Rowen et al.
 D650,679 S 12/2011 de Cleir et al.
 D650,686 S 12/2011 de Cleir et al.
 D654,800 S 2/2012 Geeraert et al.
 D656,839 S 4/2012 Shaw et al.
 D657,258 S 4/2012 Geeraert et al.
 D660,697 S 5/2012 Dombrowski et al.
 D660,698 S 5/2012 Dombrowski et al.
 D660,699 S 5/2012 Dombrowski et al.
 D660,708 S 5/2012 Bridgman et al.
 D663,200 S 7/2012 Dombrowski et al.
 D665,670 S 8/2012 Dombrowski et al.
 D666,095 S 8/2012 Blachford et al.
 D666,103 S 8/2012 Blachford et al.
 D670,169 S * 11/2012 Victorino D9/526
 D678,064 S 3/2013 Arminak
 D678,069 S 3/2013 Redmond
 D681,475 S 5/2013 Park
 D688,561 S 8/2013 Bunce et al.
 D693,690 S 11/2013 Wakui
 D694,114 S * 11/2013 Lecetre D9/564
 D697,809 S 1/2014 de Cleir et al.
 8,678,215 B2 * 3/2014 Steiger B65D 47/0804
 215/382
 D702,130 S 4/2014 Handy
 D704,067 S 5/2014 Scott et al.
 D706,636 S 6/2014 de Cleir et al.
 D708,957 S 7/2014 Clough et al.
 D709,762 S 7/2014 Kuo
 8,844,767 B1 9/2014 Bates et al.
 D714,642 S 10/2014 Wang
 D716,147 S 10/2014 Jordan et al.
 D718,132 S 11/2014 Leventhal
 D719,453 S 12/2014 Bunce et al.
 D720,622 S 1/2015 Gelov
 D720,623 S 1/2015 Bunce et al.
 D726,024 S 4/2015 Peng

D730,733 S 6/2015 O'Donahue
 D730,737 S 6/2015 Bunce et al.
 D731,888 S 6/2015 O'Donahue
 D735,050 S 7/2015 Tussy
 D736,383 S 8/2015 Parker et al.
 D736,639 S 8/2015 McCay et al.
 D738,737 S 9/2015 McCay et al.
 D739,750 S 9/2015 Luijendijk
 D741,182 S 10/2015 Davis et al.
 D742,757 S 11/2015 Behar et al.
 D743,261 S 11/2015 Jordan et al.
 D743,791 S 11/2015 Andersson
 D747,972 S * 1/2016 Allan D9/682
 D750,964 S 3/2016 Alvarez De Cienfuegos
 Hernandez et al.
 D751,905 S 3/2016 Alvarez De Cienfuegos
 Hernandez et al.
 D751,911 S 3/2016 Alvarez De Cienfuegos
 Hernandez et al.
 D752,441 S 3/2016 Alvarez De Cienfuegos
 Hernandez et al.
 D753,493 S 4/2016 Alvarez De Cienfuegos
 Hernandez et al.
 D757,555 S 5/2016 Pires et al.
 D762,299 S 7/2016 Matsuura
 D769,019 S 10/2016 Beck et al.
 D773,307 S 12/2016 Ashbee
 D774,398 S 12/2016 Ashbee
 2004/0232023 A1 11/2004 Bansal et al.

OTHER PUBLICATIONS

U.S. Appl. No. 29/564,551, filed May 13, 2016, Johnson & Johnson Consumer Inc.
 U.S. Appl. No. 29/564,552, filed May 13, 2016, Johnson & Johnson Consumer Inc.
 U.S. Appl. No. 29/564,554, filed May 13, 2016, Johnson & Johnson Consumer Inc.
 U.S. Appl. No. 29/564,562, filed May 13, 2016, Johnson & Johnson Consumer Inc.
 U.S. Appl. No. 29/564,563, filed May 13, 2016, Johnson & Johnson Consumer Inc.
 U.S. Appl. No. 29/570,890, filed Jul. 13, 2016, Johnson & Johnson Consumer Inc.
 U.S. Appl. No. 29/570,894, filed Jul. 13, 2016, Johnson & Johnson Consumer Inc.
 "Oh So Heavenly" brand by New Clicks, *Nourishing Hand Wash*, Sep. 2009, Mintel (retrieved Jul. 2016).
 "Oh So Heavenly" brand by New Clicks, *Bye-Bye Stress Calming Hand Wash*, Mar. 2015, Mintel (retrieved Jul. 2016).
 U.S. Appl. No. 29/583,221, filed Nov. 3, 2016, Johnson & Johnson Consumer Inc.
 U.S. Appl. No. 29/583,222, filed Nov. 3, 2016, Johnson & Johnson Consumer Inc.
 U.S. Appl. No. 29/583,223, filed Nov. 3, 2016, Johnson & Johnson Consumer Inc.
 U.S. Appl. No. 29/583,224, filed Nov. 3, 2016, Johnson & Johnson Consumer Inc.
 U.S. Appl. No. 29/583,225, filed Nov. 3, 2016, Johnson & Johnson Consumer Inc.
 U.S. Appl. No. 29/583,226, filed Nov. 3, 2016, Johnson & Johnson Consumer Inc.
 Johnson & Johnson Consumer Inc., U.S. Appl. No. 29/602,748, filed May 3, 2017.
 Johnson & Johnson Consumer Inc., U.S. Appl. No. 29/602,750, filed May 3, 2017.
 Johnson & Johnson Consumer Inc., U.S. Appl. No. 29/610,975, filed Jul. 18, 2017.
 "Garnier Ultra Doux" brand by Garnier, *Moisturising Lotion*, Jul. 2015, Mintel.
 "Garnier Wahre Schatze" brand by Garnier, *Weightless Hair Oil*, Nov. 2015, Mintel.
 "Garnier Ultra Doux" brand by Garnier, *Shower Care*, Jun. 2016, Mintel.

(56)

References Cited

OTHER PUBLICATIONS

- Mintel, Bottle—Body Lotion, Unilever, Dove Baby, Dec. 2014.
Mintel, Bottle—Cologne, Unilever, Dove Baby, Dec. 2014.
Mintel, Bottle—Combing Cream, Unilever, Dove Baby, May 2017.
Mintel, Bottle—Conditioner, Unilever, Dove Baby Cabelos, May 2017.
Mintel, Bottle—Conditioner, Unilever, Dove Baby, Dec. 2014.
Mintel, Bottle—Conditioner, Unilever, Dove Baby, Jul. 2016.
Mintel, Bottle—Conditioner, Unilever, Dove Baby, May 2017.
Mintel, Bottle—Head to Toe Liquid Body Soap, Unilever, Dove Baby, Aug. 2016.
Mintel, Bottle—Head to Toe Liquid Body Soap, Unilever, Dove Baby, Feb. 2016.
Mintel, Bottle—Head to Toe Shower Gel, Dove Baby, Nov. 2014.
Mintel, Bottle—Lotion, Unilever, Dove Baby Rich Moisture, May 2017.
Mintel, Bottle—Lotion, Unilever, Dove Baby Sensitive, May 2017.
Mintel, Bottle—Shampoo, Unilever, Dove Baby Cabelos, May 2017.
Mintel, Bottle—Shampoo, Unilever, Dove Baby Rich Moisture, May 2017.
Mintel, Bottle—Shampoo, Unilever, Dove Baby, Dec. 2014.
Mintel, Bottle—Shampoo, Unilever, Dove Baby, May 2016.
Mintel, Bottle—Shampoo, Unilever, Dove Baby, May 2017.
Mintel, Bottle—Tip to Toe Wash, Unilever, Dove Baby Rich Moisture, May 2017.
Mintel, Bottle—Tip to Toe Wash, Unilever, Dove Baby Sensitive Moisture, Apr. 2017.

* cited by examiner

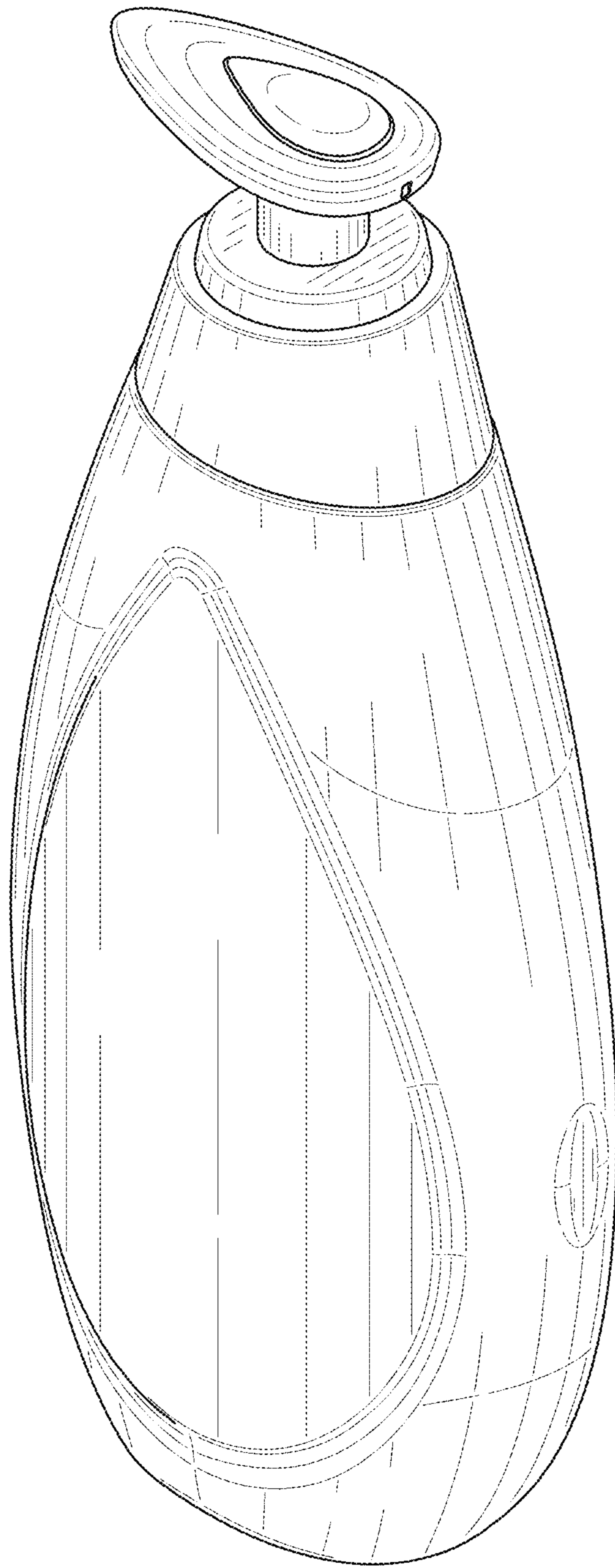


FIG. 1

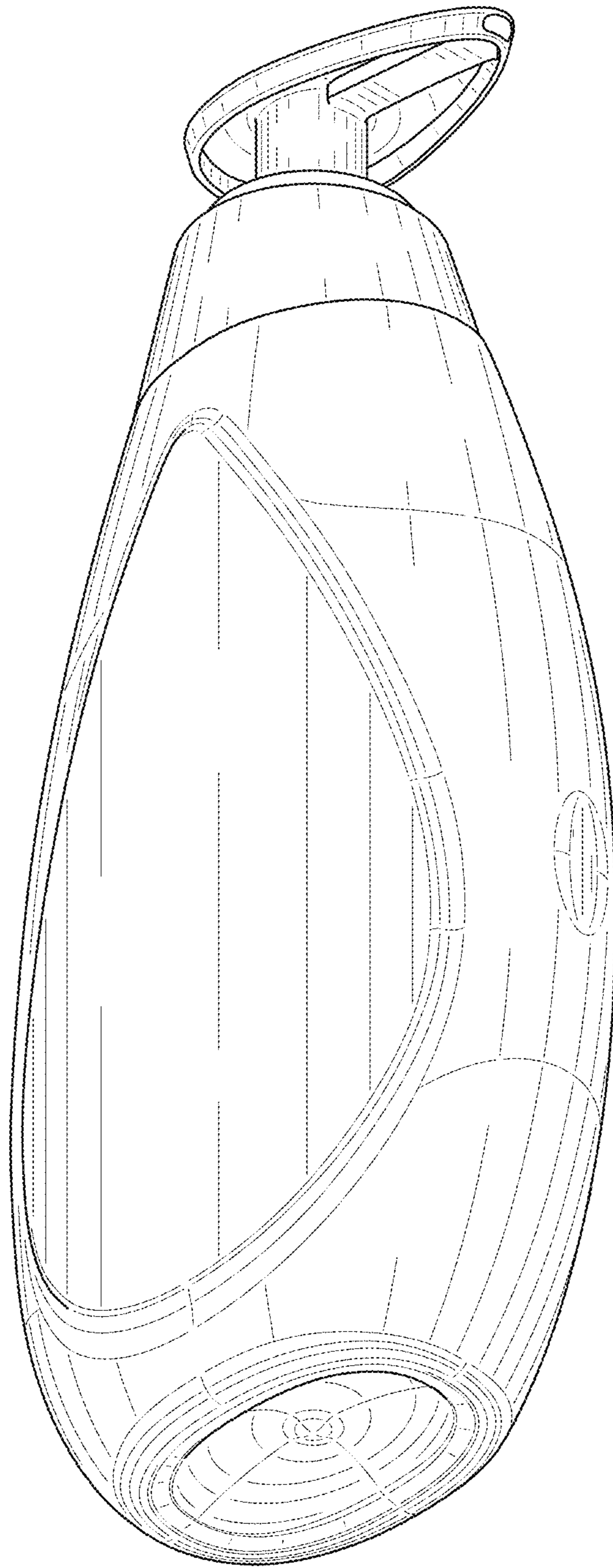


FIG. 2

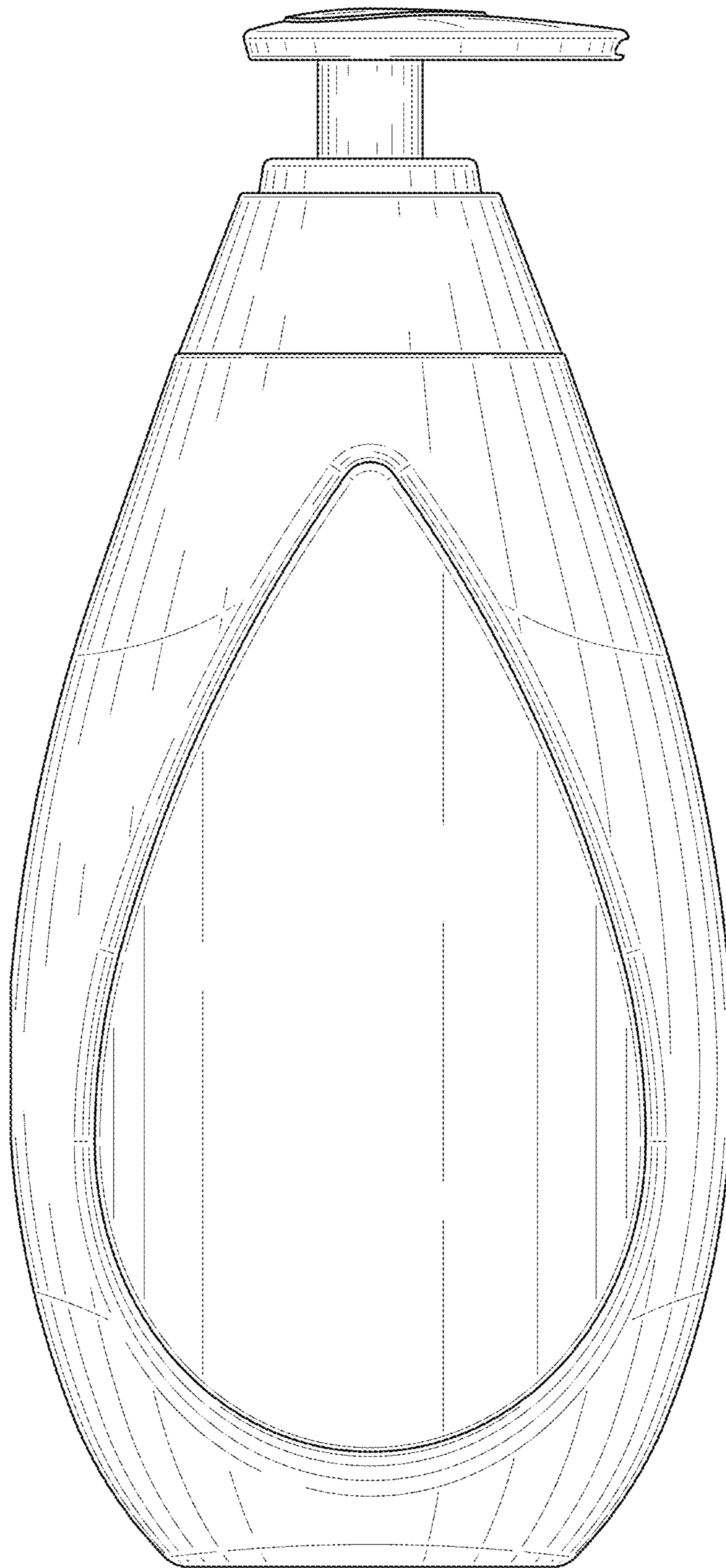


FIG. 3

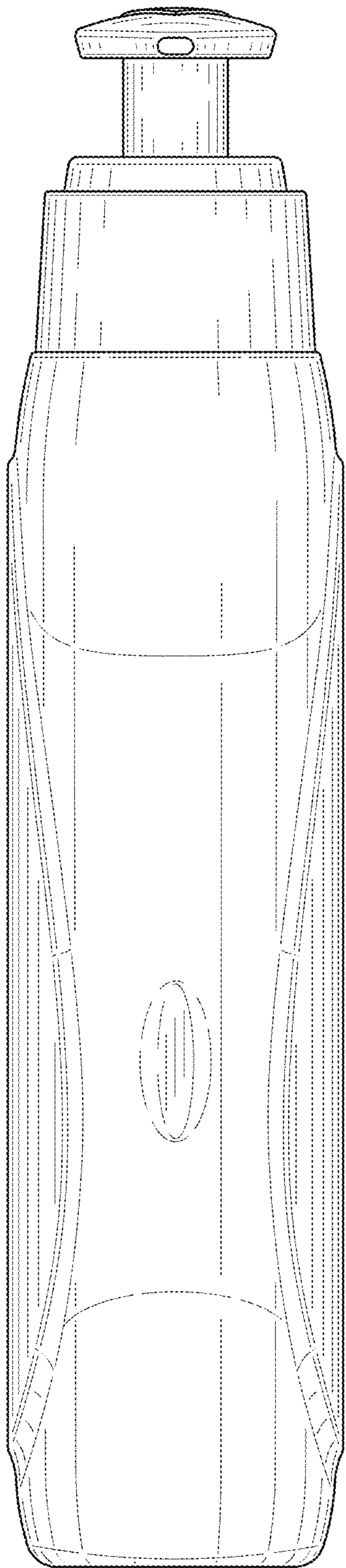


FIG. 4

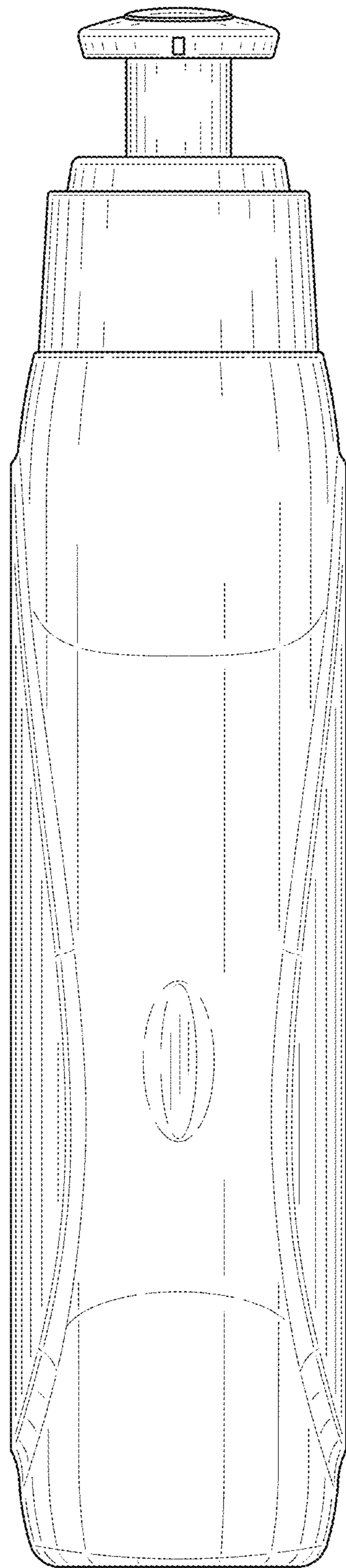


FIG. 6

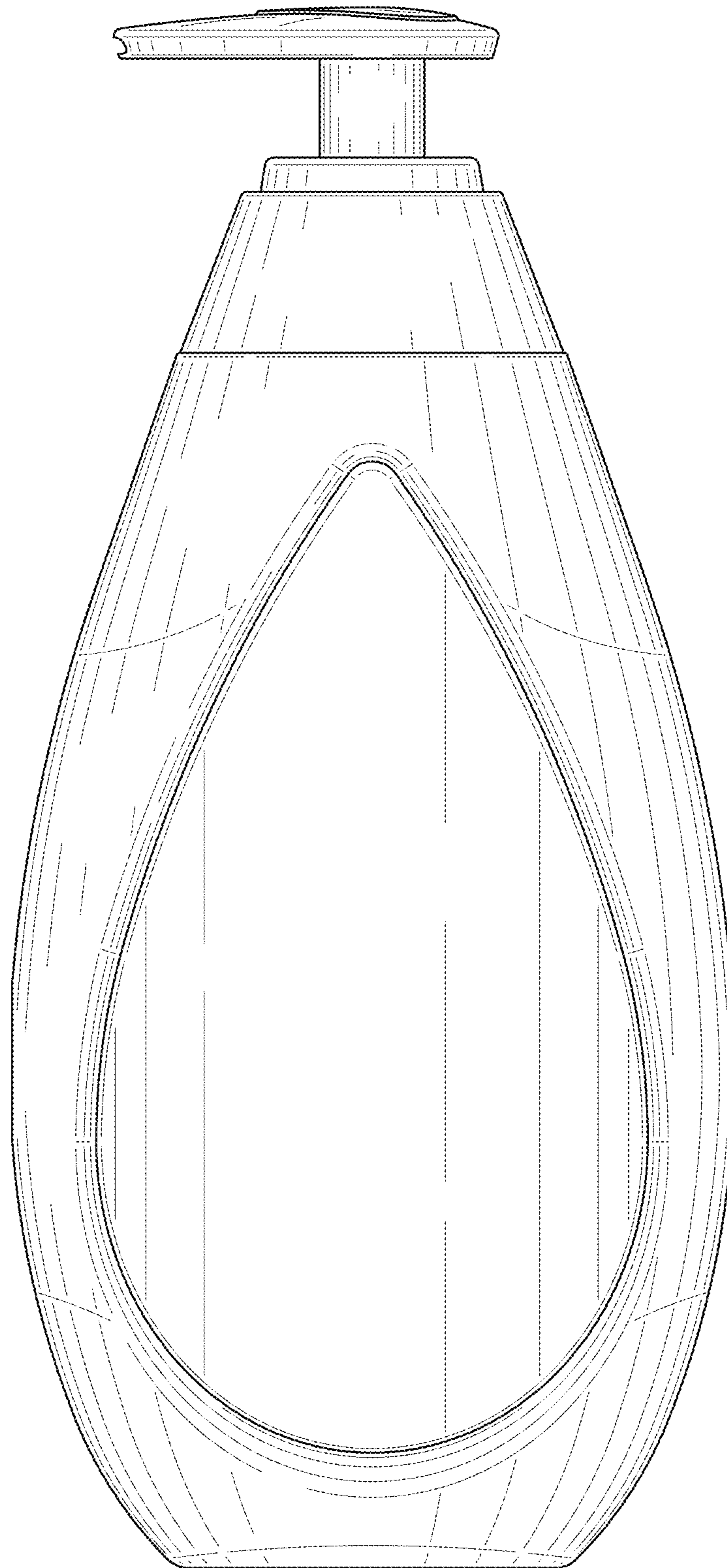


FIG. 5

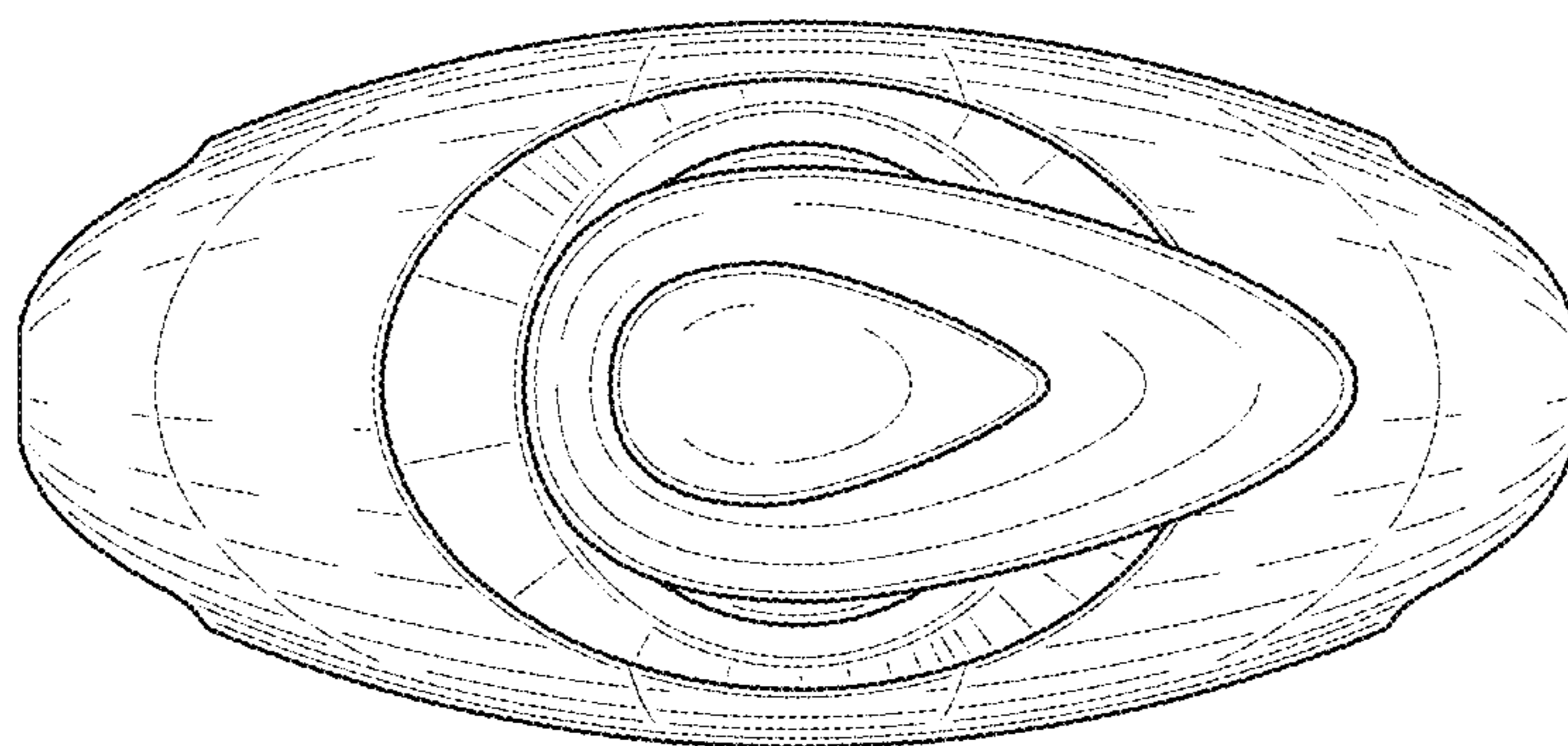


FIG. 7

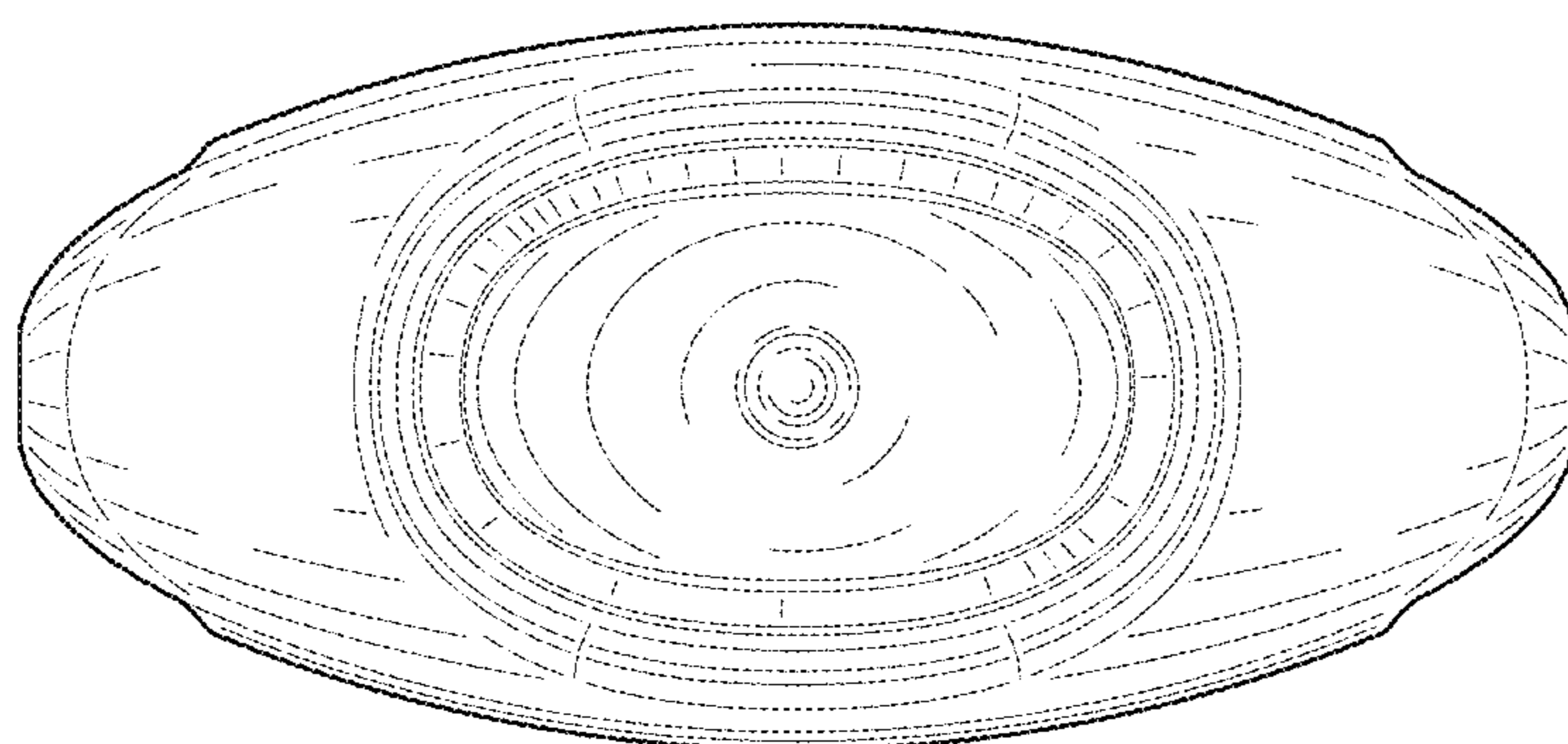


FIG. 8