



US00D821107S

(12) **United States Design Patent** (10) **Patent No.:** **US D821,107 S**  
**Walker et al.** (45) **Date of Patent:** **\*\* Jun. 26, 2018**

(54) **INFANT CHAIR**

A47D 1/002; A47D 1/004; A47D 1/008;  
A47D 1/04; A47C 15/004

(71) Applicant: **iCandy World Limited**, Biggleswade,  
Bedfordshire (GB)

See application file for complete search history.

(72) Inventors: **Paul Walker**, Rickmansworth (GB);  
**Stuart Cole**, Cardiff (GB)

(56) **References Cited**

(73) Assignee: **iCandy World Limited**, Biggleswade,  
Bedfordshire (GB)

U.S. PATENT DOCUMENTS

(\*\*) Term: **15 Years**

D454,007 S *	3/2002	Huang	.....	D6/339
D512,579 S *	12/2005	Igarashi	.....	D6/372
D594,667 S *	6/2009	Wang	.....	D6/339
D618,001 S *	6/2010	Bearup	.....	D6/339
D677,912 S *	3/2013	Gillett	.....	D6/339
D679,915 S *	4/2013	Sturmey	.....	D6/339
D704,460 S *	5/2014	Maurer	.....	D6/339
D742,657 S *	11/2015	Cross	.....	D6/339
D750,910 S *	3/2016	Yassa	.....	D6/339

(21) Appl. No.: **29/557,194**

(22) Filed: **Mar. 7, 2016**

\* cited by examiner

(30) **Foreign Application Priority Data**

*Primary Examiner* — Abraham Bahta

Sep. 8, 2015 (EM) ..... 002767921

(74) *Attorney, Agent, or Firm* — Reising Ethington P.C.

(51) **LOC (11) Cl.** ..... **06-01**

(52) **U.S. Cl.**  
USPC ..... **D6/333**

(57) **CLAIM**

(58) **Field of Classification Search**

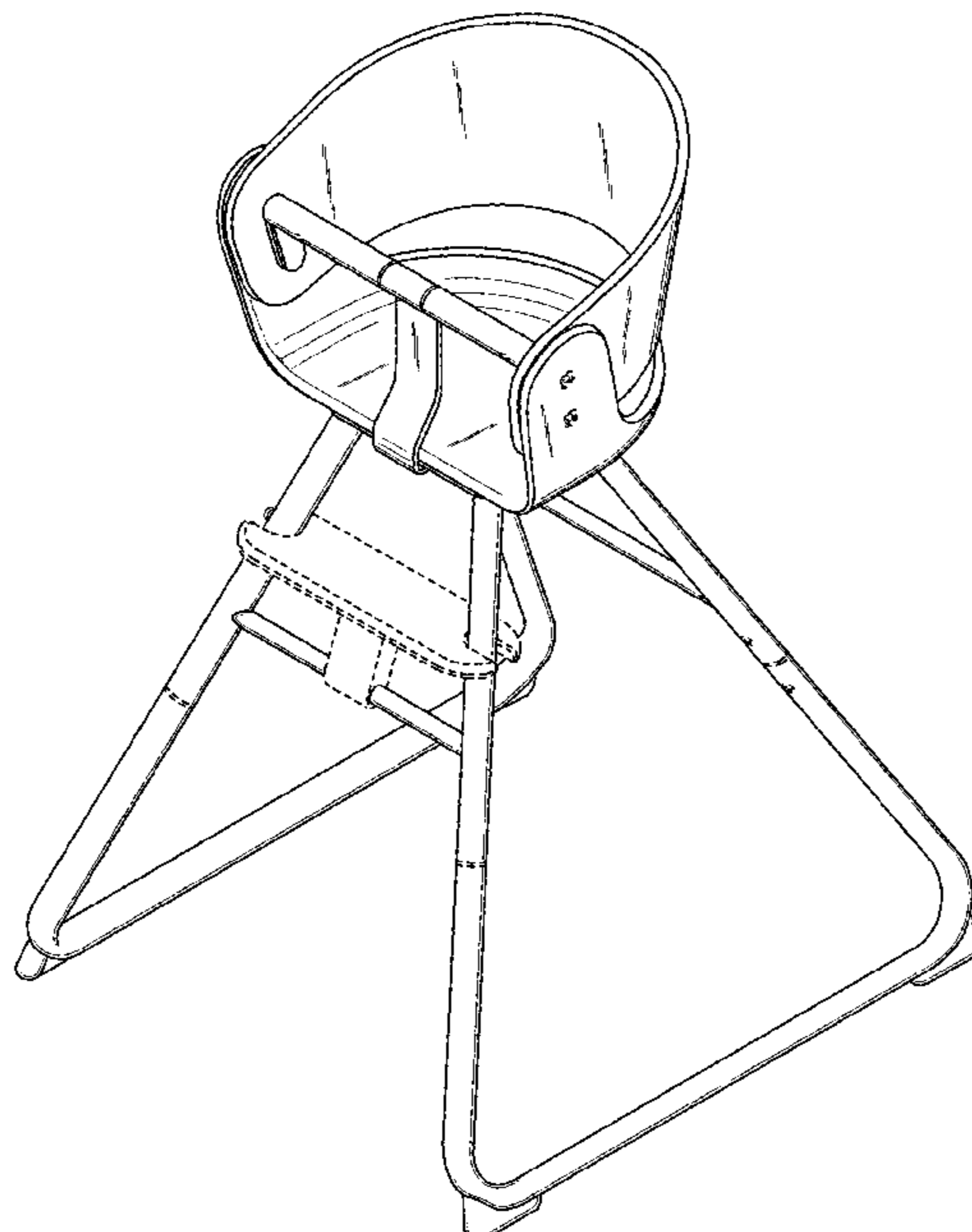
USPC ..... D6/334–336, 338–339, 491, 333, 716,  
D6/716.1–716.7; D12/129; D21/412,  
D21/419; 280/30–31; 5/94, 98.1, 99.1,  
5/101, 105, 655; 297/183.1–183.4,  
297/184.13, 184.15, 184.17, 250.1, 256.1,  
297/255, 256.15, 256.16, 174 R, 174 CS,  
297/170–173, 136, 148, 27, 61, 68;  
4/572.1  
CPC ..... B60N 2/2845; B60N 2/2821; B60N 2/02;  
B60N 2/10; B60N 2/14; B60N 2/16;  
B60N 2/22; B60N 2/26; B60N  
2002/0212; B60N 2002/0216; B60N  
2002/022; A47D 13/02; A47D 13/08;  
A47D 13/083; A47D 13/10; A47D 1/00;

The ornamental design for an infant chair, as shown and described.

**DESCRIPTION**

FIG. 1 is a perspective view of the infant chair showing my new design;  
FIG. 2 is a front view thereof;  
FIG. 3 is a rear view thereof;  
FIG. 4 is a left side view thereof;  
FIG. 5 is a right side view thereof;  
FIG. 6 is a top view thereof; and,  
FIG. 7 is a bottom view thereof.  
The broken lines shown in the drawings depict portions of the infant chair that form no part of the claimed design.

**1 Claim, 7 Drawing Sheets**



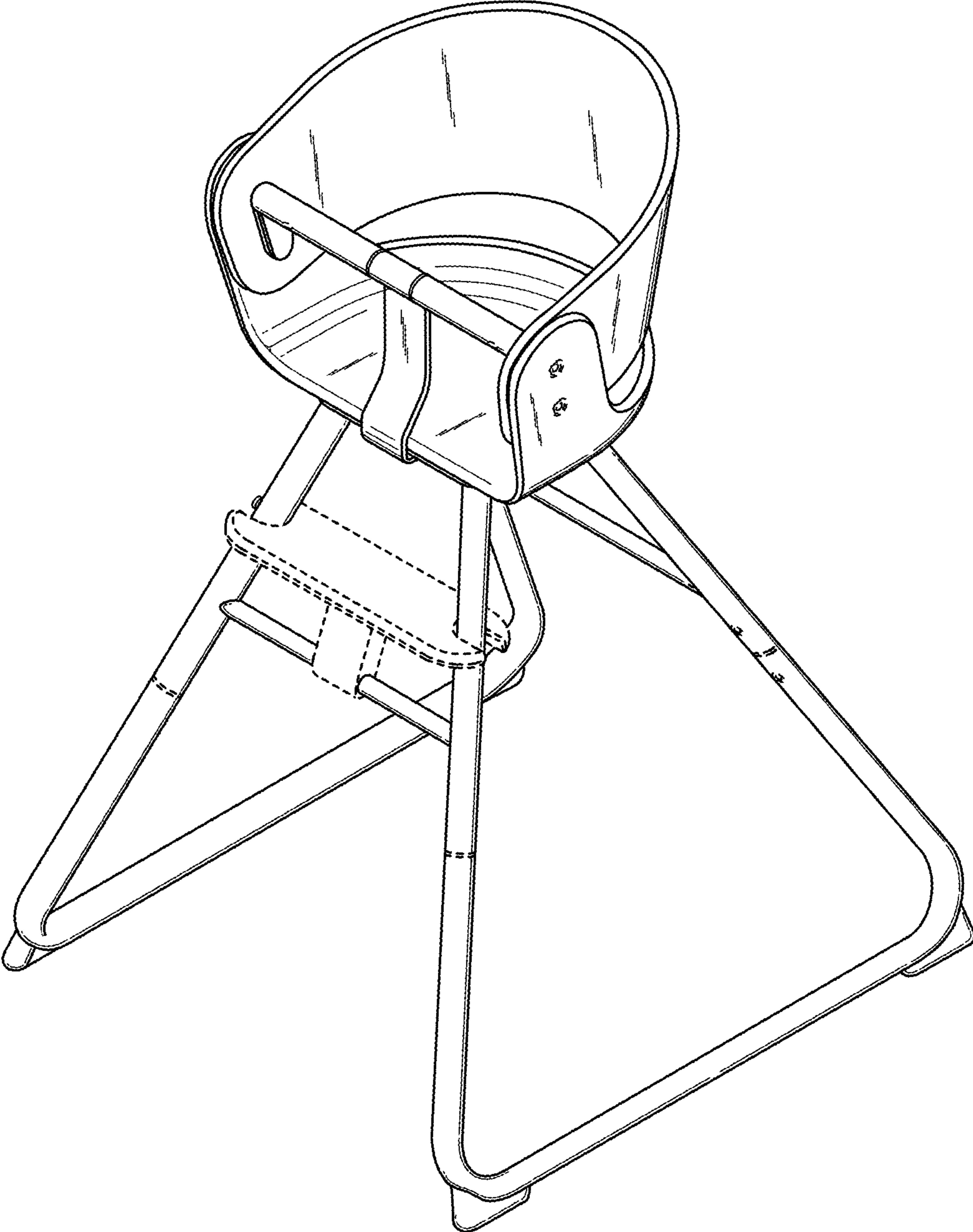


Figure 1

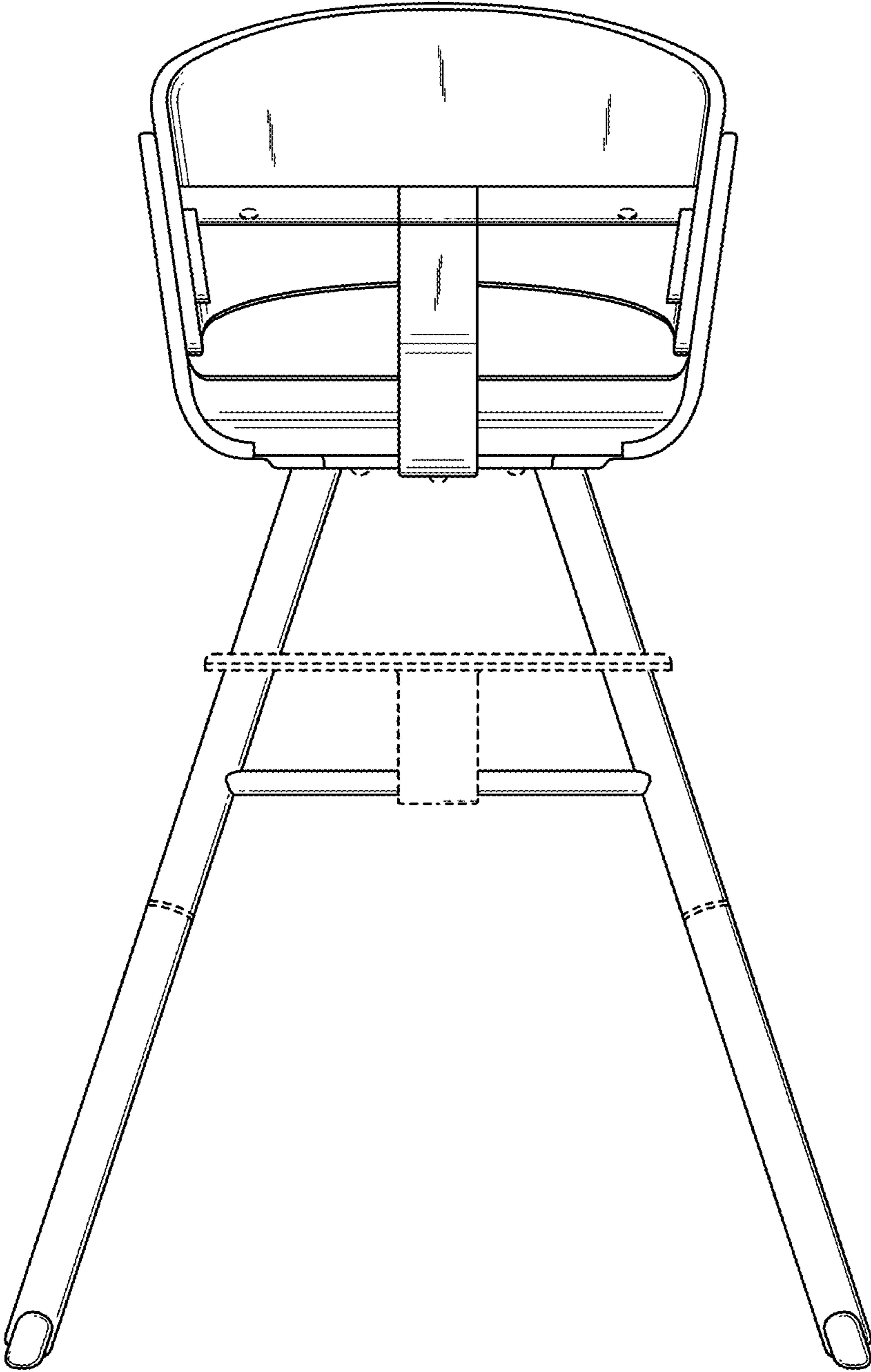


Figure 2

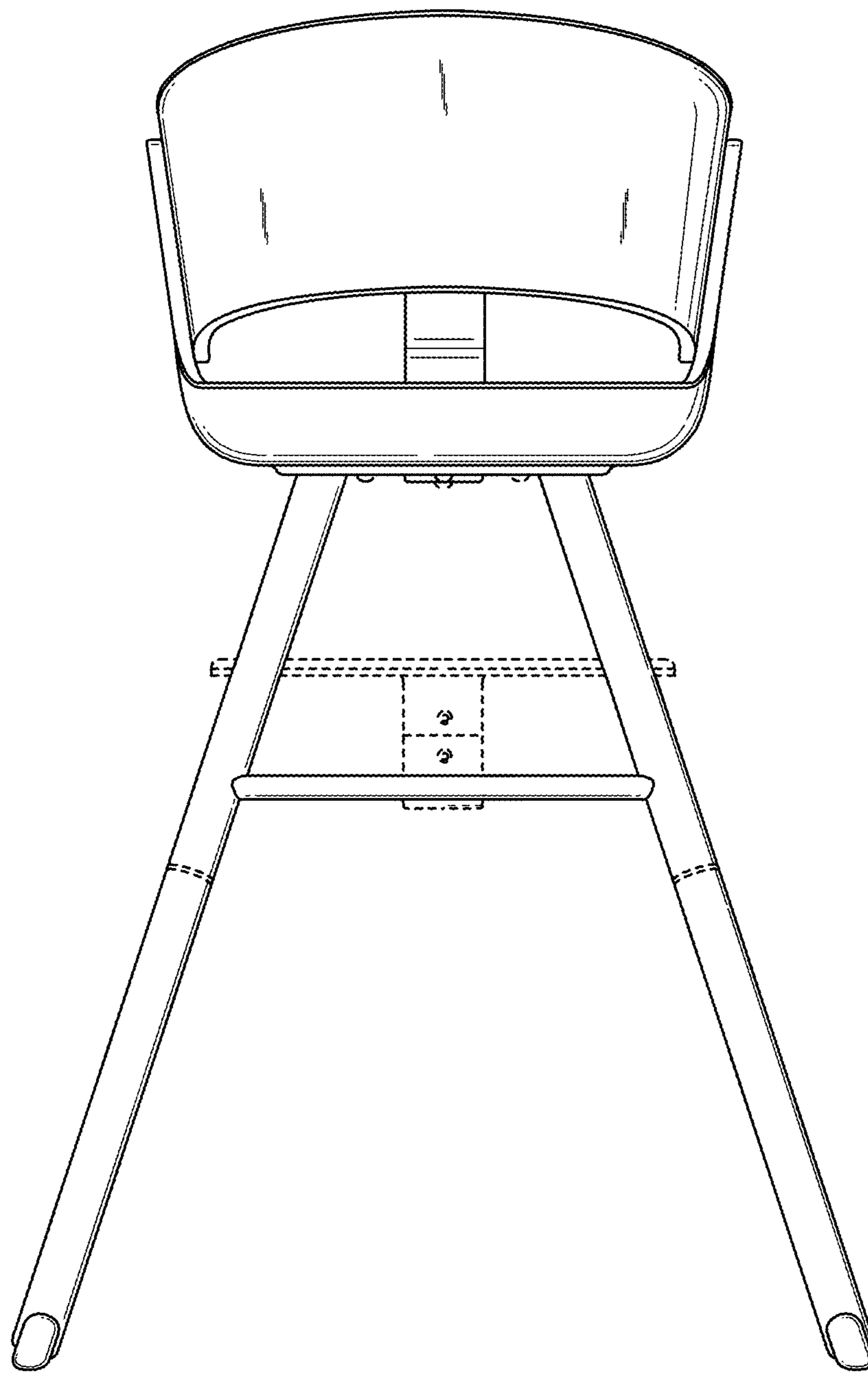


Figure 3

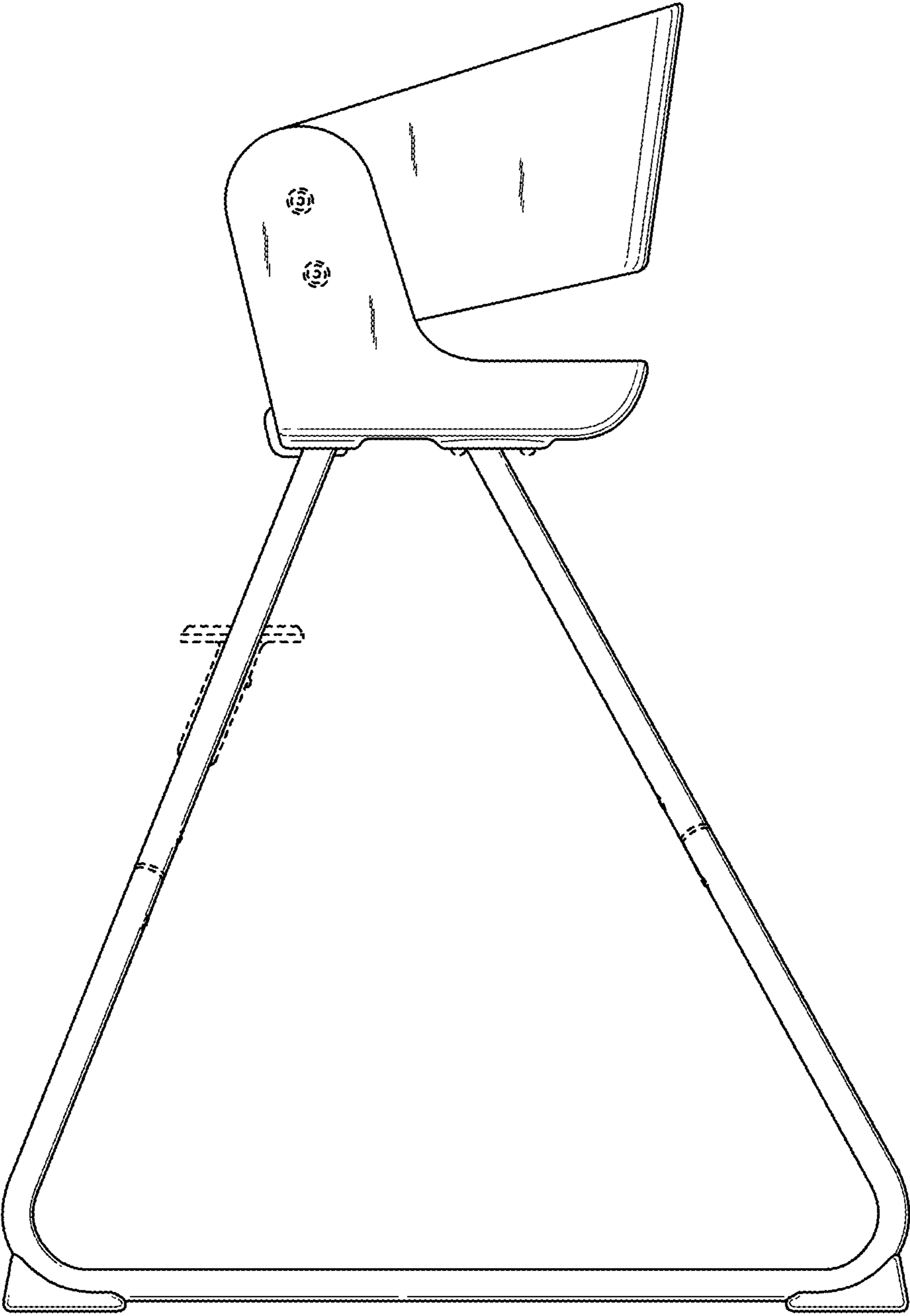


Figure 4

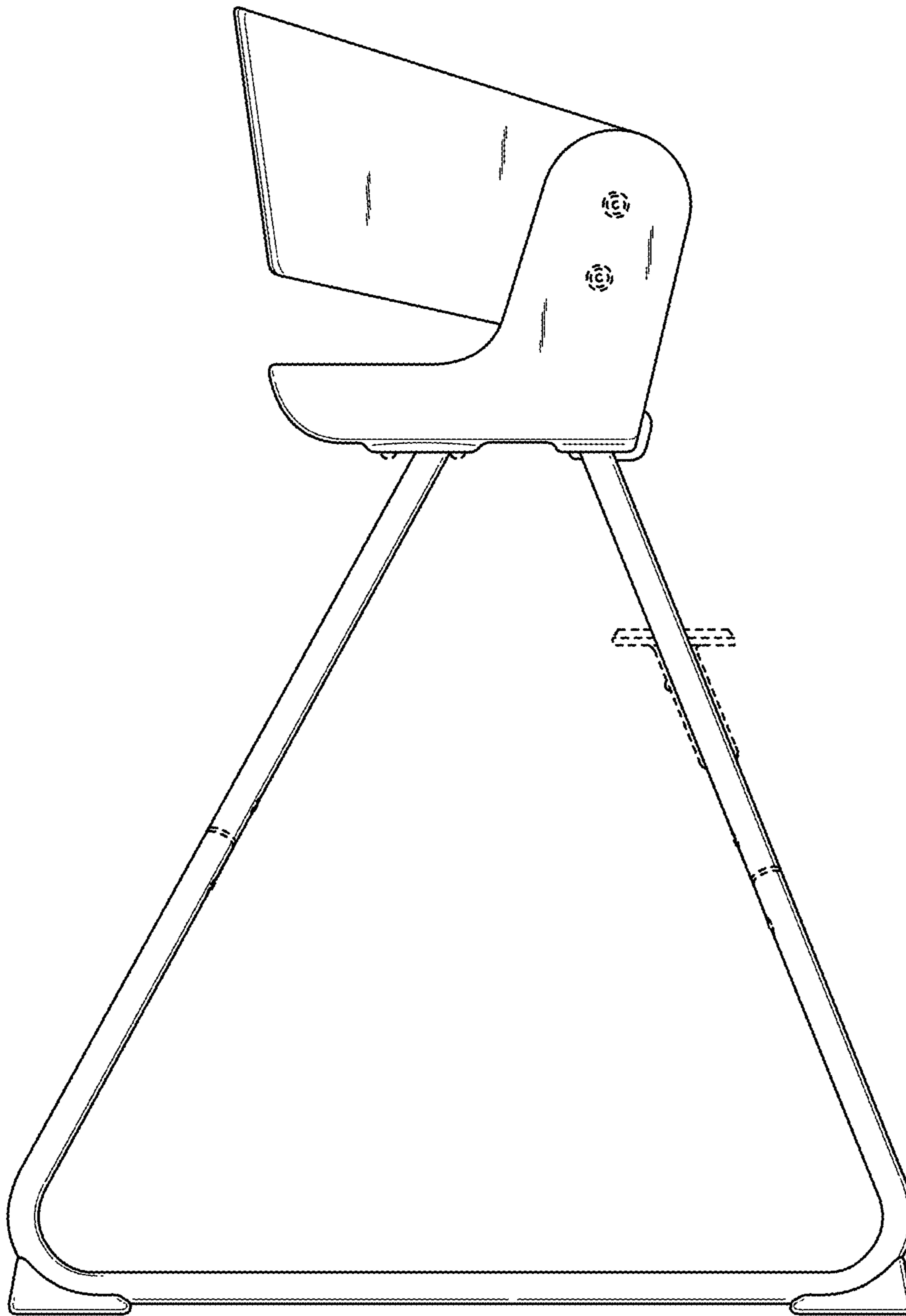


Figure 5

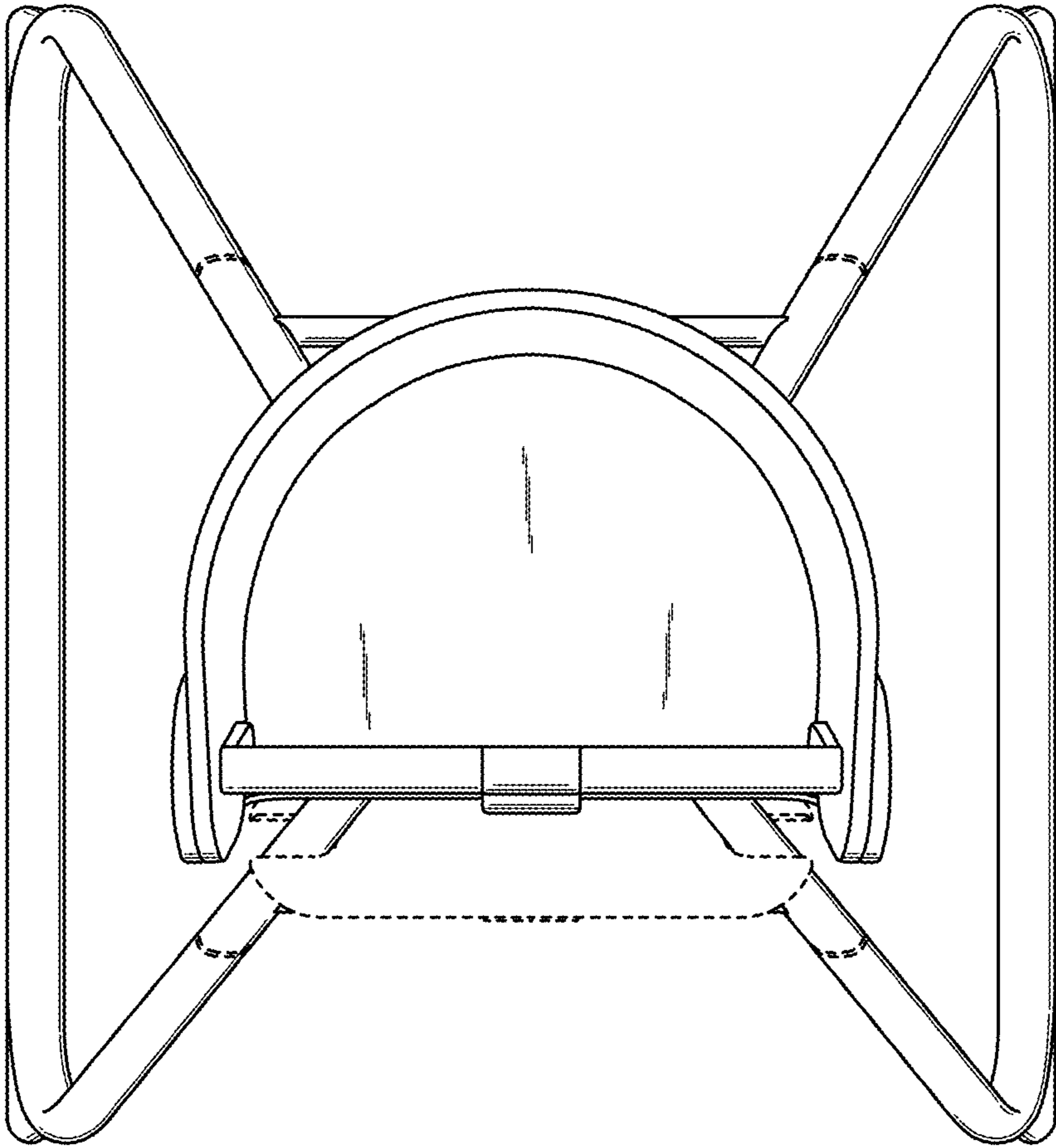


Figure 6

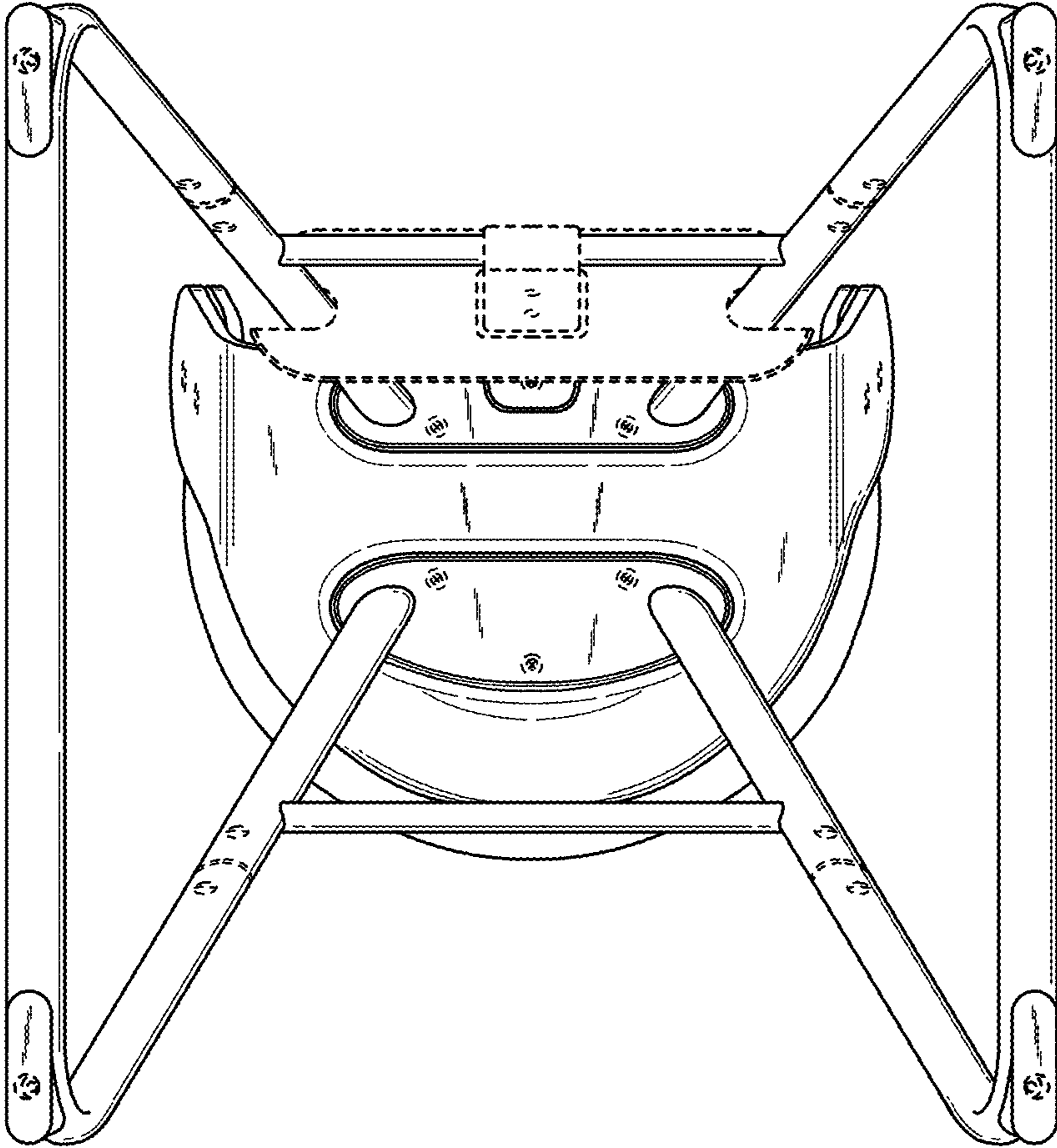


Figure 7