



US00D821106S

(12) **United States Design Patent**
Jones

(10) **Patent No.:** **US D821,106 S**
(45) **Date of Patent:** **** Jun. 26, 2018**

- (54) **APPARATUS FOR USE WITH GARMENT HANGERS**
- (71) Applicant: **Mainetti (UK) Limited**, Roxburghshire, Scotland (GB)
- (72) Inventor: **Michael Jones**, Denbighshire (GB)
- (73) Assignee: **Mainetti (UK) Limited** (GB)
- (**) Term: **15 Years**
- (21) Appl. No.: **29/529,345**
- (22) Filed: **Jun. 5, 2015**

D199,007	S *	8/1964	Eklind	D6/328
D223,802	S *	6/1972	Belland et al.	294/142
D256,405	S *	8/1980	Wheeler	D3/315
4,296,959	A *	10/1981	Helbig	A47G 25/1457
					211/118
D264,904	S *	6/1982	Helbig	D6/315
D284,810	S *	7/1986	Kelemen, Sr.	D3/315
4,850,562	A *	7/1989	Mazzanti	A45C 3/004
					206/291
D309,835	S *	8/1990	Stone, Jr.	D28/42
D324,489	S *	3/1992	Wang	D8/373

(Continued)

Primary Examiner — Lauren R Calve
(74) *Attorney, Agent, or Firm* — Jack Schwartz & Associates, PLLC

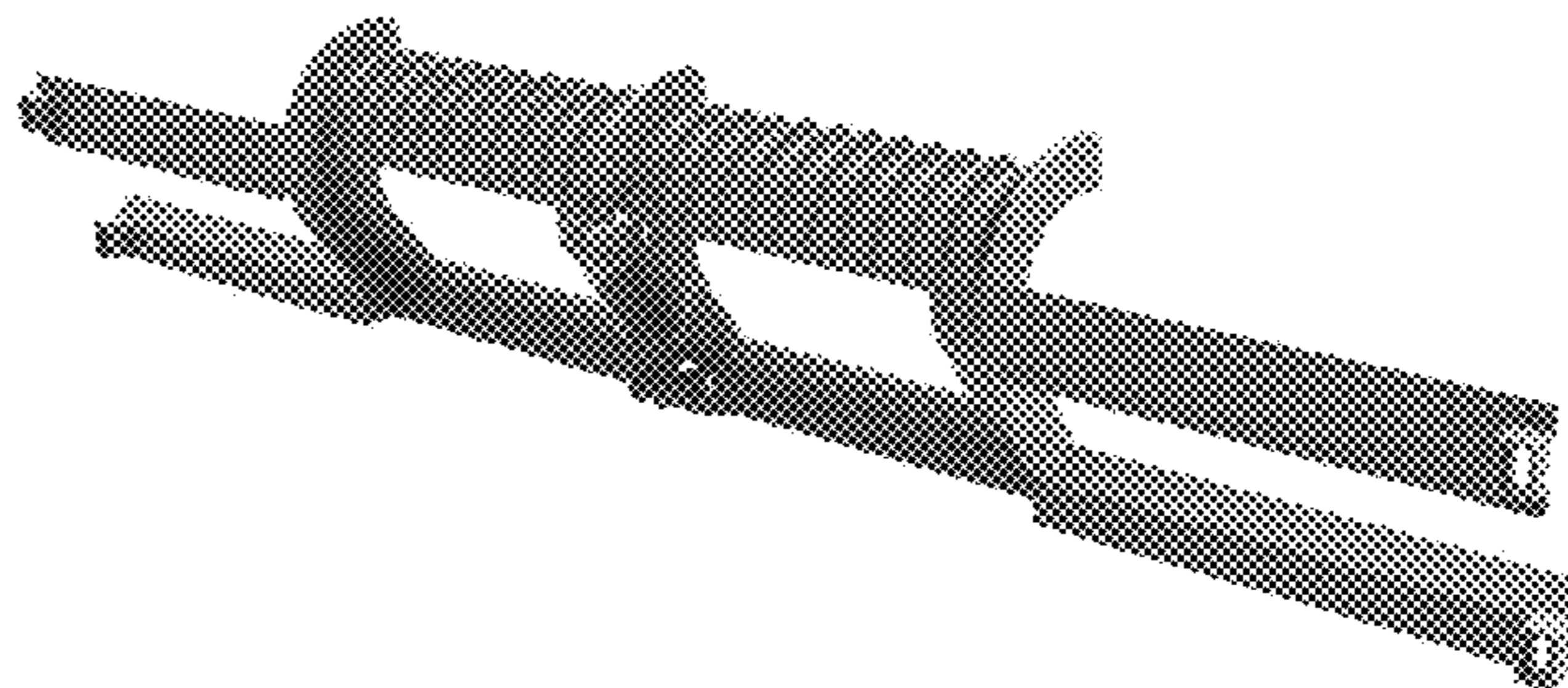
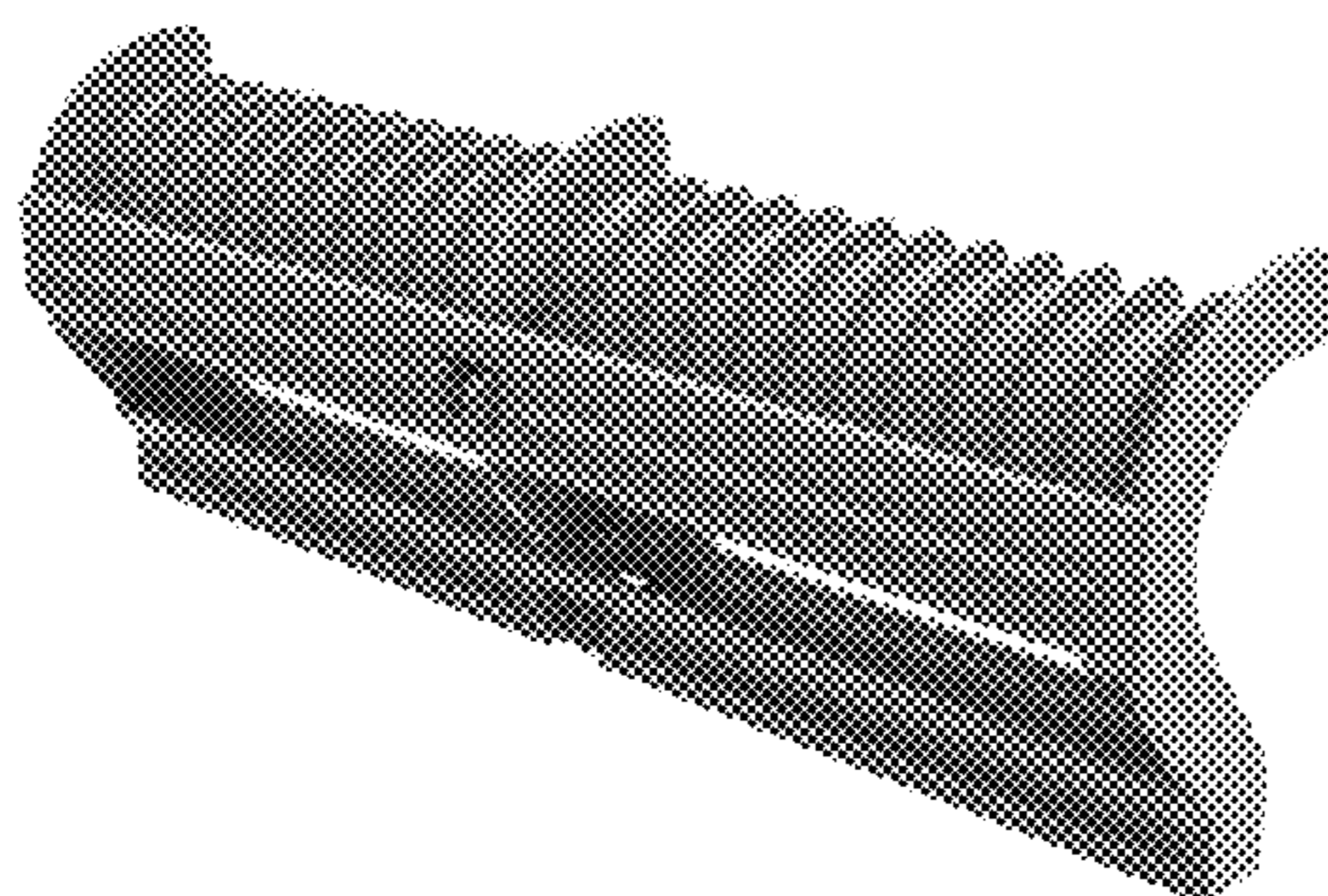
- (30) **Foreign Application Priority Data**
Dec. 2, 2014 (GB) 4038452
- (51) **LOC (11) Cl.** **06-08**
- (52) **U.S. Cl.**
USPC **D6/328**
- (58) **Field of Classification Search**
USPC D6/315, 326, 328, 512, 513; D8/373, D8/377; D3/201, 315
CPC A47G 25/1457; A47G 25/0692; A47G 25/06; A47G 25/145; A47G 25/0607; A47G 25/1478; A47G 25/1464; A47G 25/1471; A47G 25/32; A47G 25/743; A47G 25/1442; B65D 85/185
See application file for complete search history.

(57) **CLAIM**
The ornamental design for an apparatus for use with garment hangers, as shown and described.

DESCRIPTION
FIG. 1 is a top view of an apparatus for use with garment hangers of the present invention shown in a closed position; FIG. 2 is a front view thereof; FIG. 3 is a right side view thereof; FIG. 4 is a rear view thereof; FIG. 5 is bottom view thereof; FIG. 6 is a left side view thereof; FIG. 7 is a front perspective view thereof; FIG. 8 is a back perspective view thereof; FIG. 9 is a top view of the apparatus for use with garment hangers shown in an open position; FIG. 10 is a front view thereof; FIG. 11 is a right side view thereof; FIG. 12 is a rear view thereof; FIG. 13 is a bottom view thereof; FIG. 14 is a left side view thereof; FIG. 15 is a front perspective view thereof; and, FIG. 16 is a back perspective view thereof.

- (56) **References Cited**
U.S. PATENT DOCUMENTS
2,598,643 A * 5/1952 Kaplan A47G 25/08 211/99
2,699,263 A * 1/1955 Ore A47G 25/1457 211/113
2,746,661 A * 5/1956 Kaplan B60R 7/10 211/87.01
D194,766 S * 3/1963 Isham D6/328

1 Claim, 6 Drawing Sheets



(56)

References Cited

U.S. PATENT DOCUMENTS

D333,580 S * 3/1993 Brummett D3/218
5,876,009 A * 3/1999 Simoncioni, Jr. .. A47G 25/1457
211/88.01
D569,714 S * 5/2008 Stewart D8/367
D625,935 S * 10/2010 Theisen D20/43
D668,496 S * 10/2012 Ho D6/553
9,402,494 B1 * 8/2016 O'Brien A47F 7/12

* cited by examiner

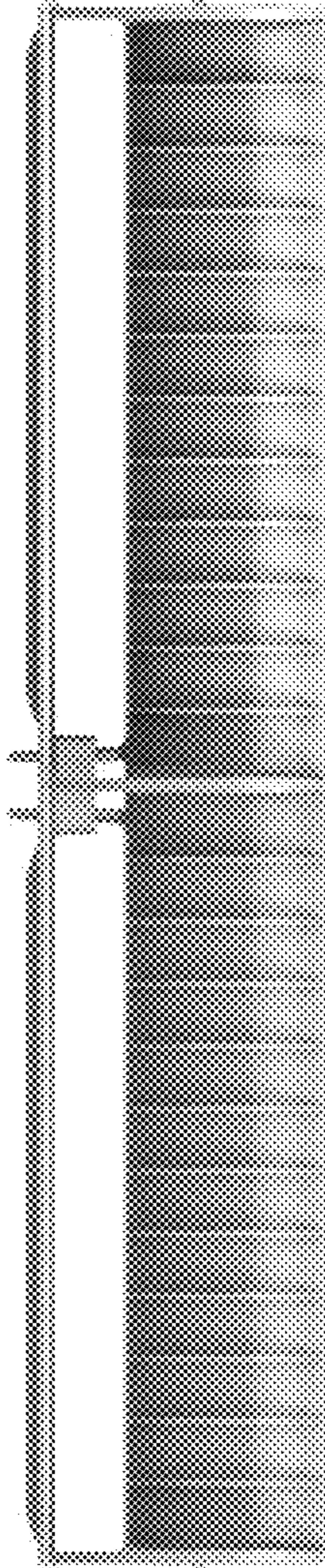


FIGURE 1

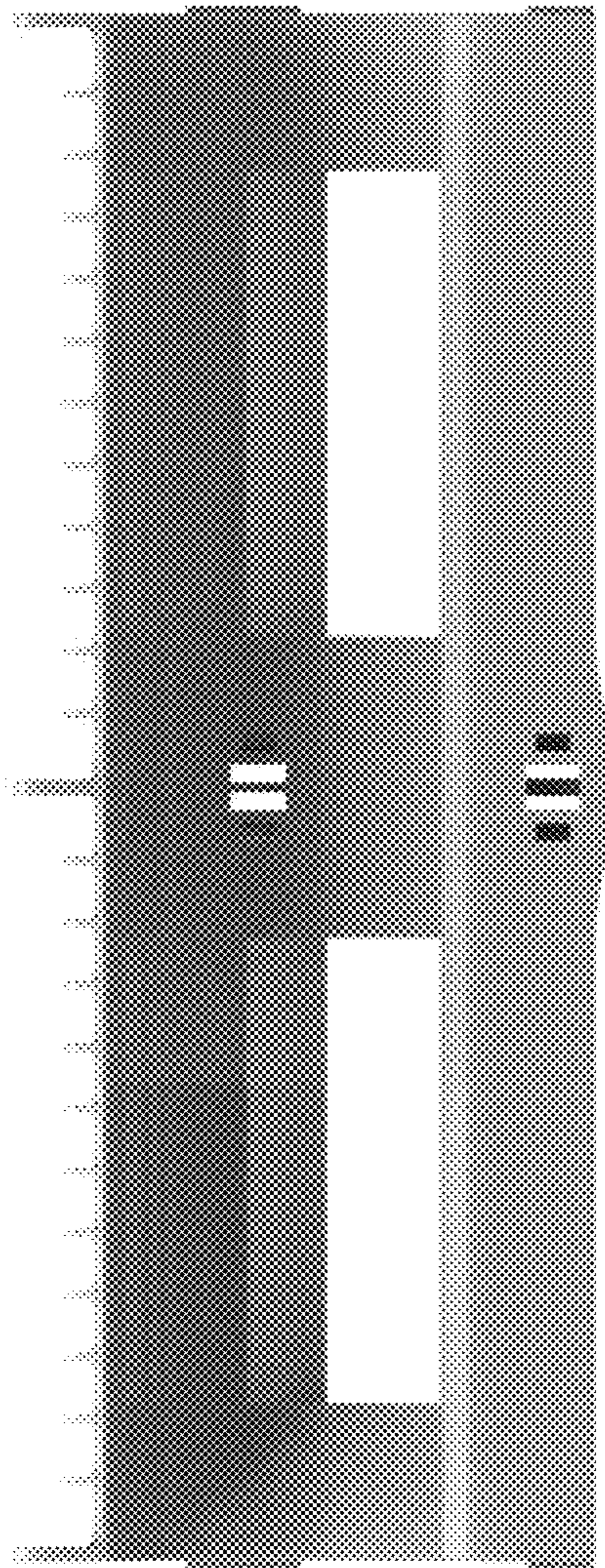


FIGURE 2

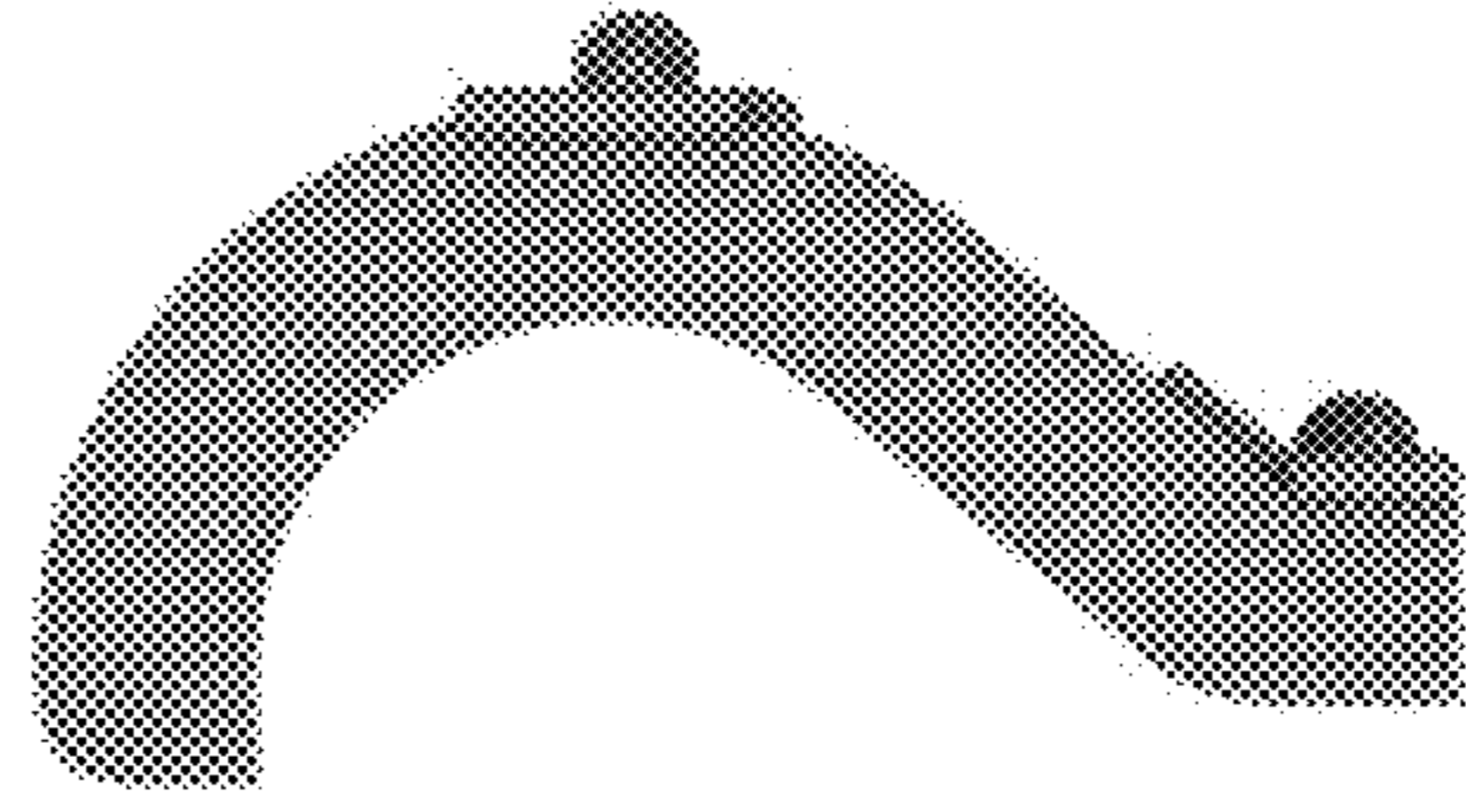


FIGURE 3



FIGURE 6

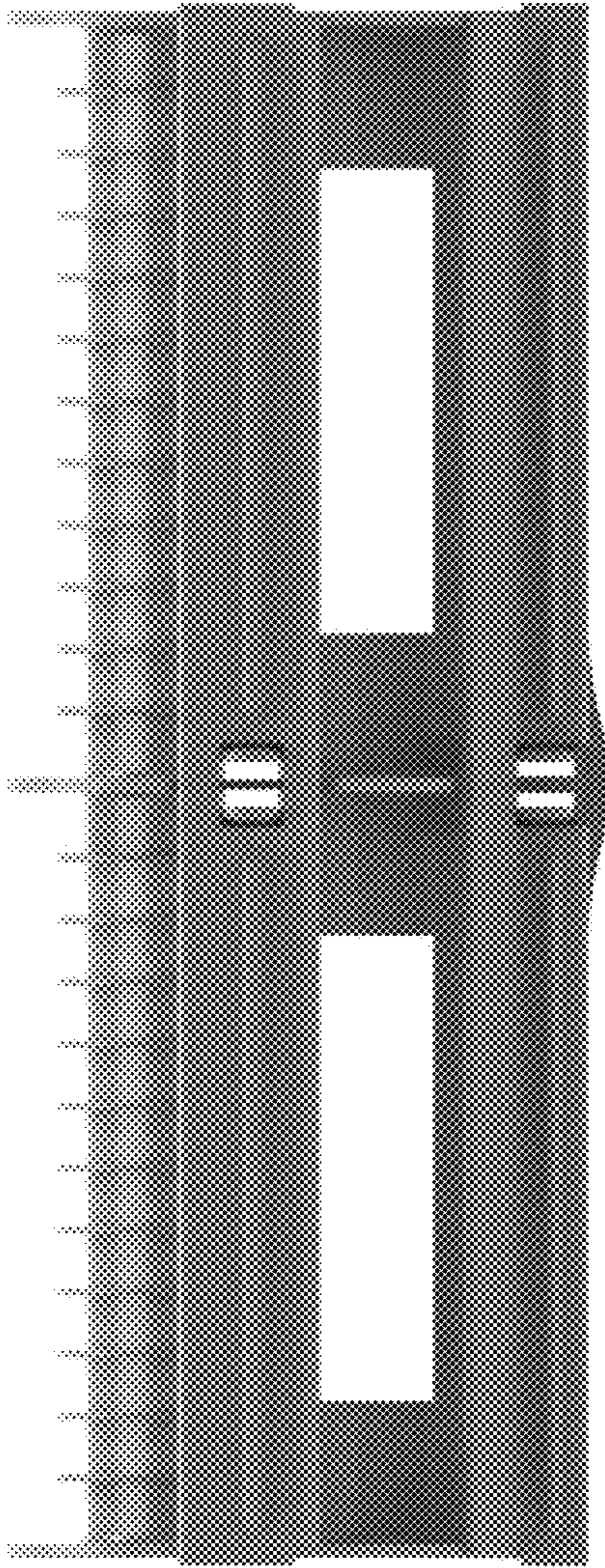


FIGURE 4

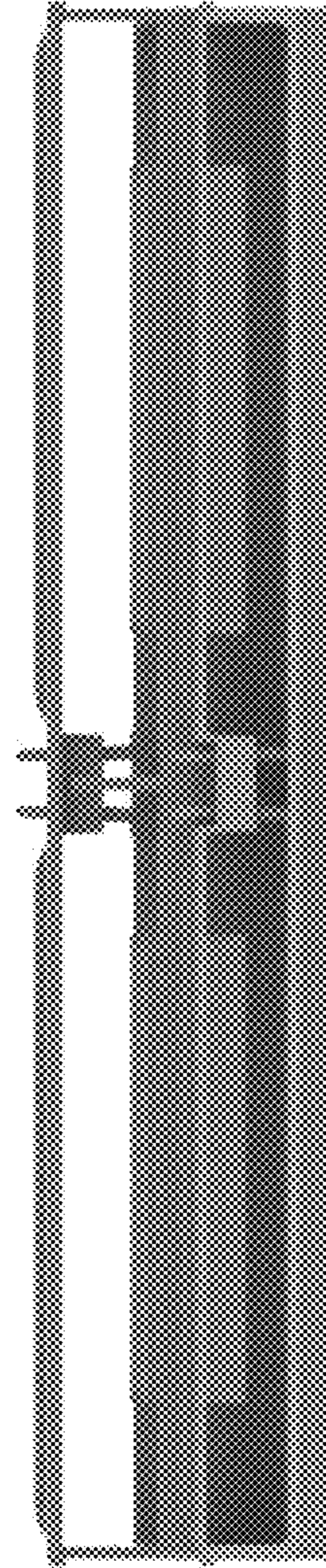


FIGURE 5

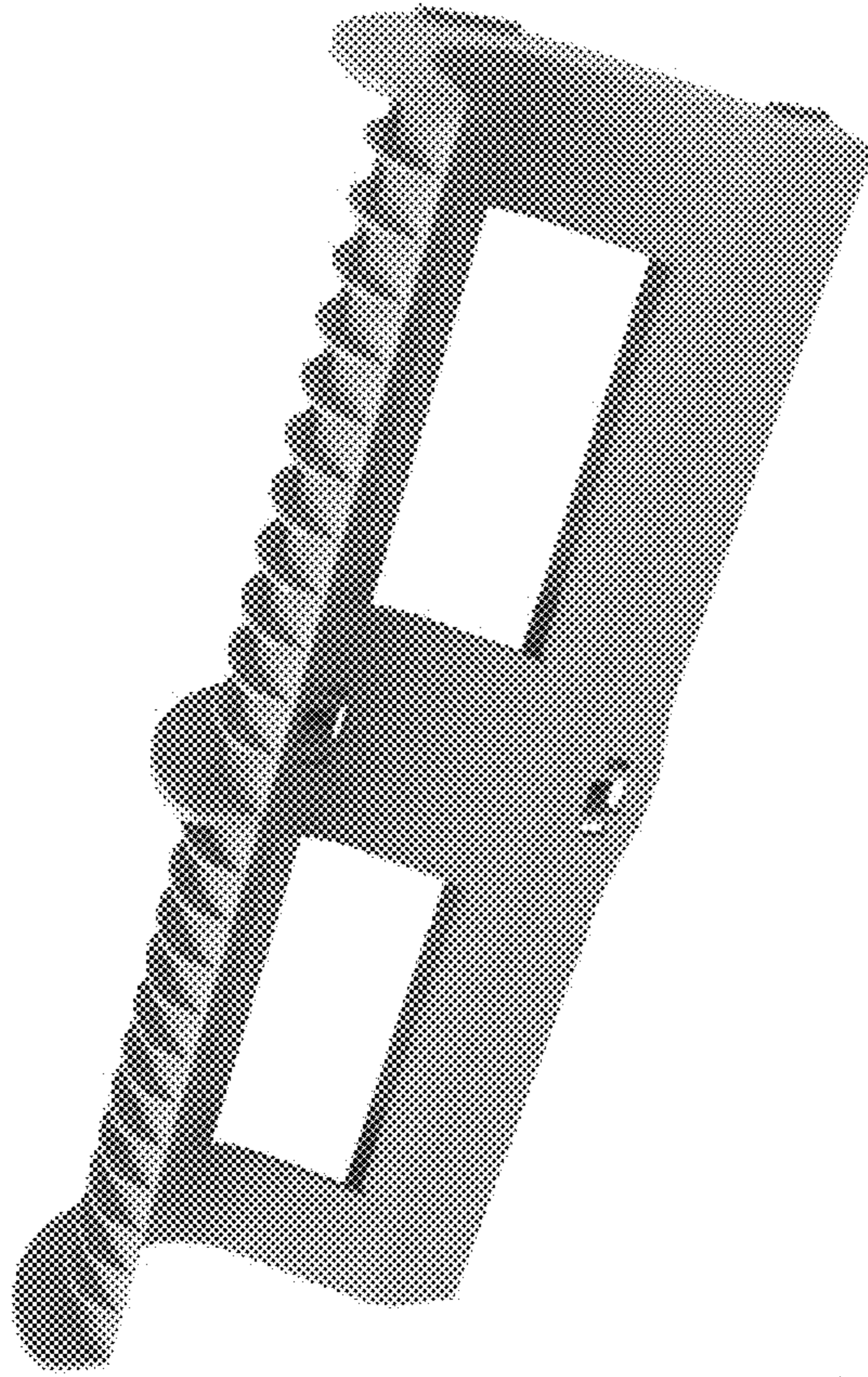


FIGURE 7

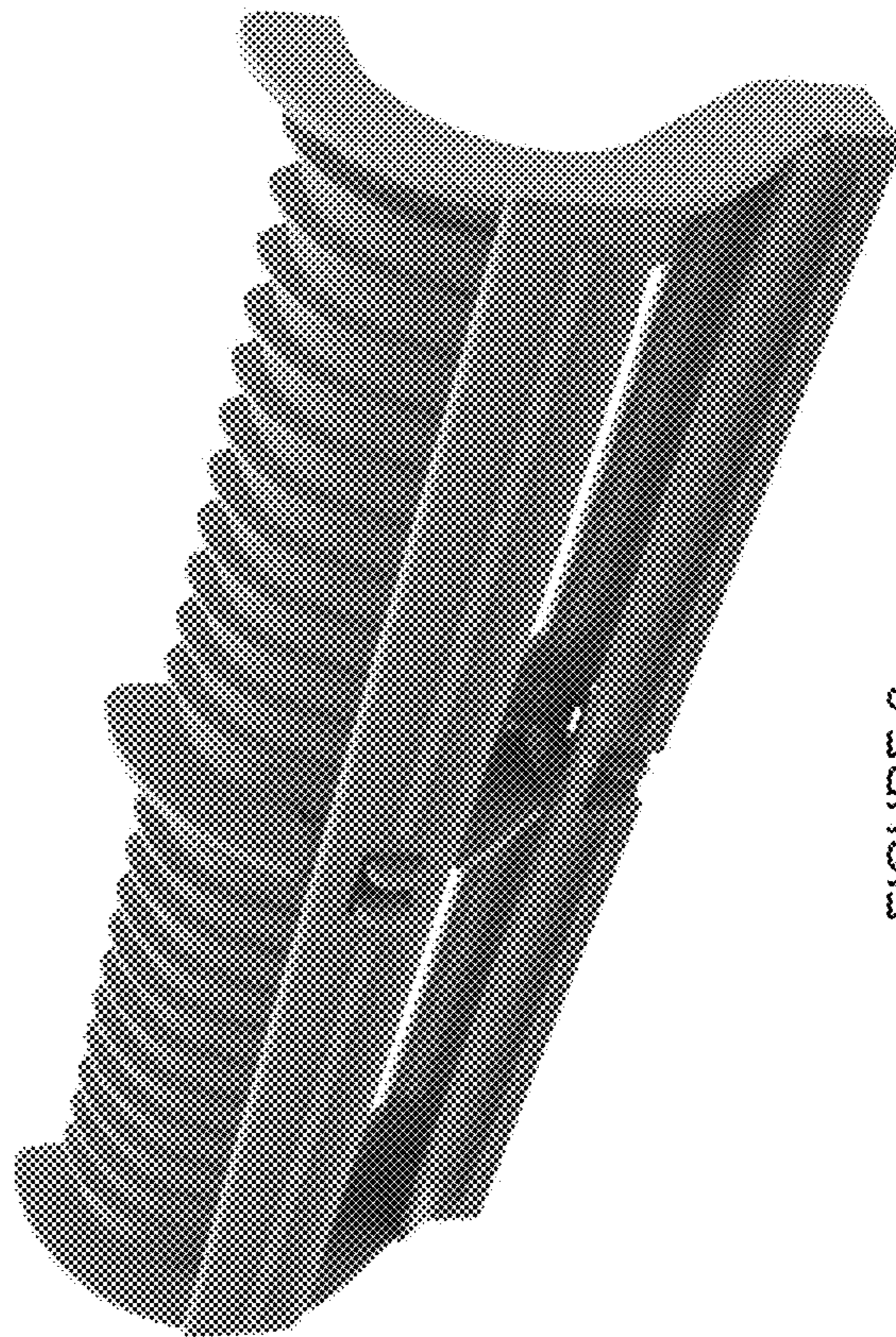


FIGURE 8

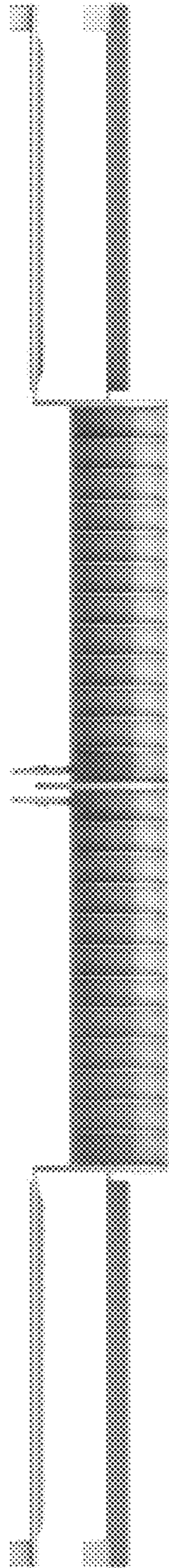


FIGURE 9

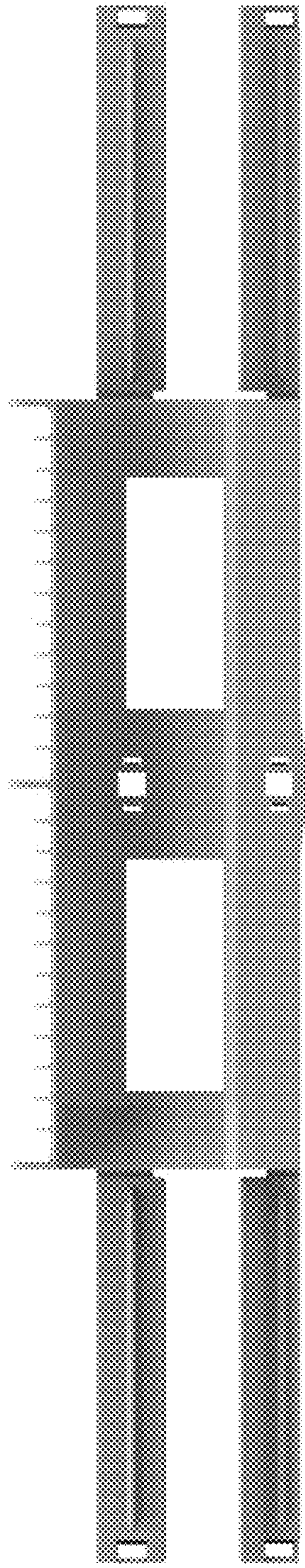


FIGURE 10

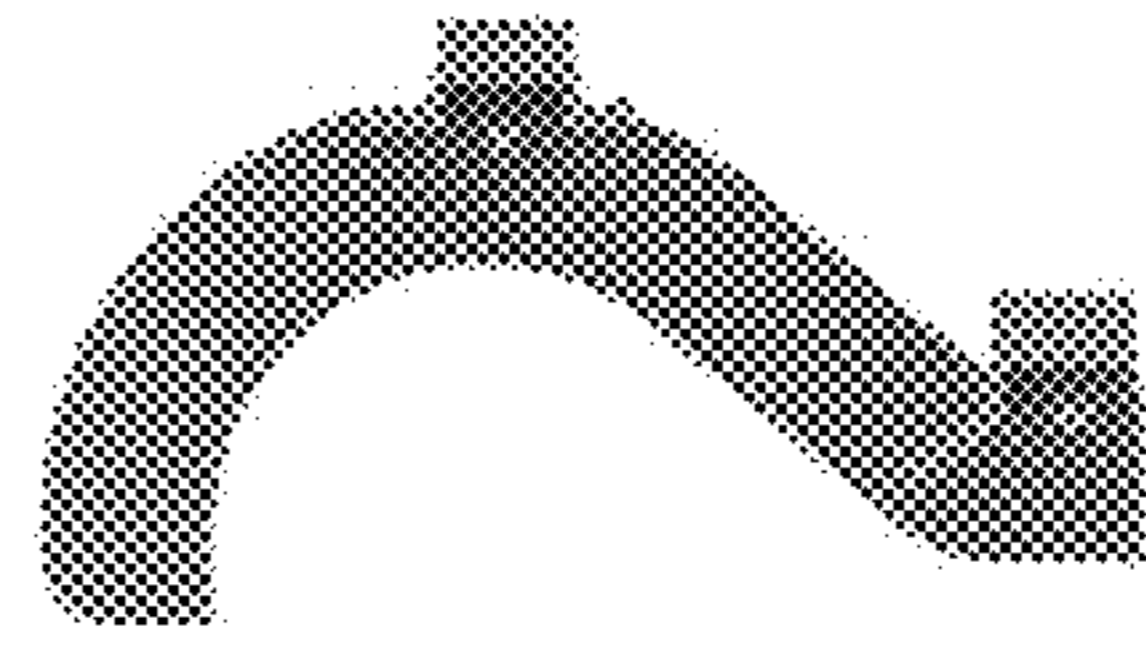


FIGURE 11

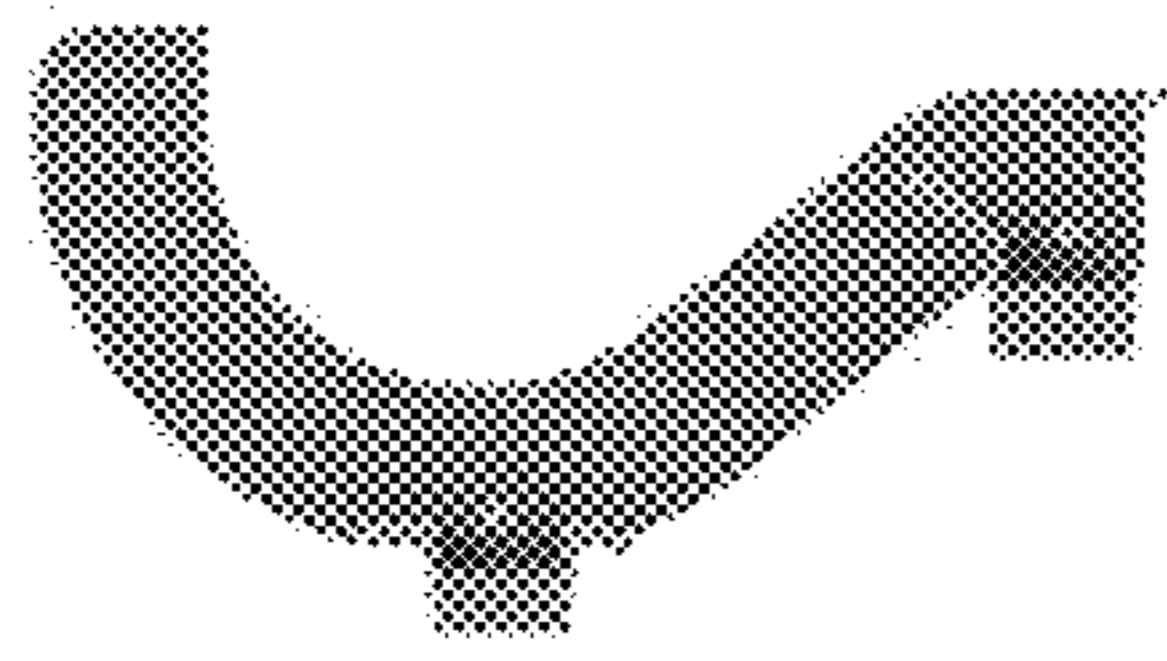


FIGURE 14

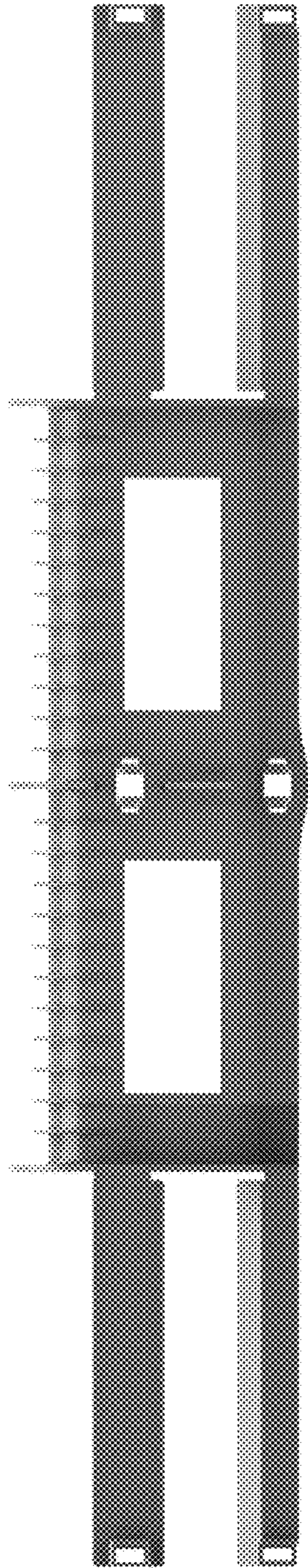


FIGURE 12

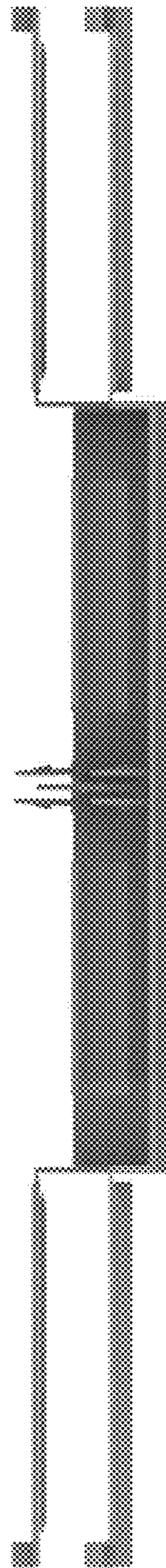


FIGURE 13

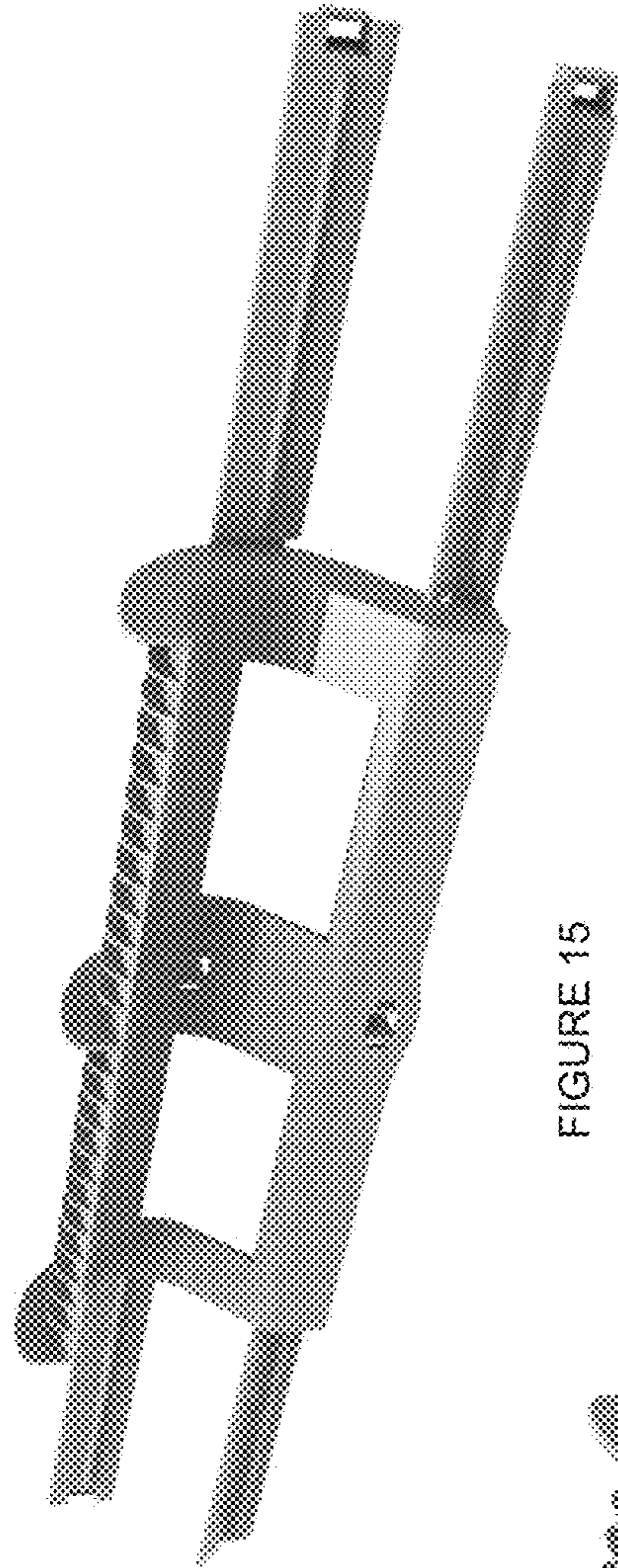


FIGURE 15

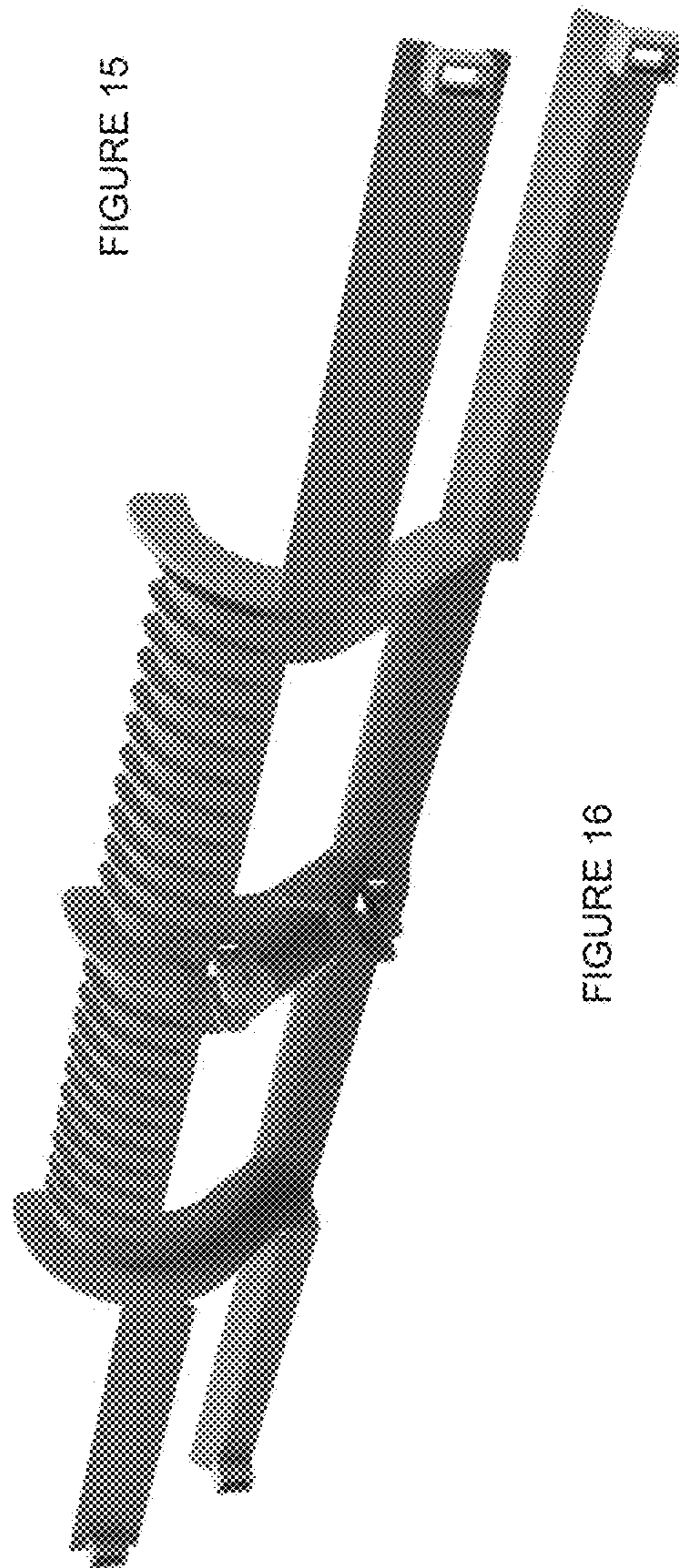


FIGURE 16