



US00D821099S

(12) **United States Design Patent**
Kitchen

(10) **Patent No.:** **US D821,099 S**
(45) **Date of Patent:** **** Jun. 26, 2018**

(54) **INSERT FOR A WALLET**
(71) Applicant: **Michael Kitchen**, Media, PA (US)
(72) Inventor: **Michael Kitchen**, Media, PA (US)
(**) Term: **15 Years**
(21) Appl. No.: **29/589,792**

Primary Examiner — Holly H Baynham
(74) *Attorney, Agent, or Firm* — Paul & Paul

(22) Filed: **Jan. 4, 2017**
(51) **LOC (11) Cl.** **03-01**
(52) **U.S. Cl.**
USPC **D3/318**
(58) **Field of Classification Search**
USPC D3/247, 249–253, 318
CPC H05K 9/00; A45C 5/14
See application file for complete search history.

(57) **CLAIM**
An ornamental design for an insert for a wallet, as shown and described.

(56) **References Cited**
U.S. PATENT DOCUMENTS

5,560,476 A 10/1996 Lee
5,725,098 A 3/1998 Seifert
6,121,544 A 9/2000 Petsinger
6,483,719 B1 * 11/2002 Bachman H05K 9/003
174/378

7,163,152 B2 1/2007 Osborn
7,246,556 B1 7/2007 Stoneberg
8,237,063 B2 * 8/2012 Chang H05K 9/00
174/382

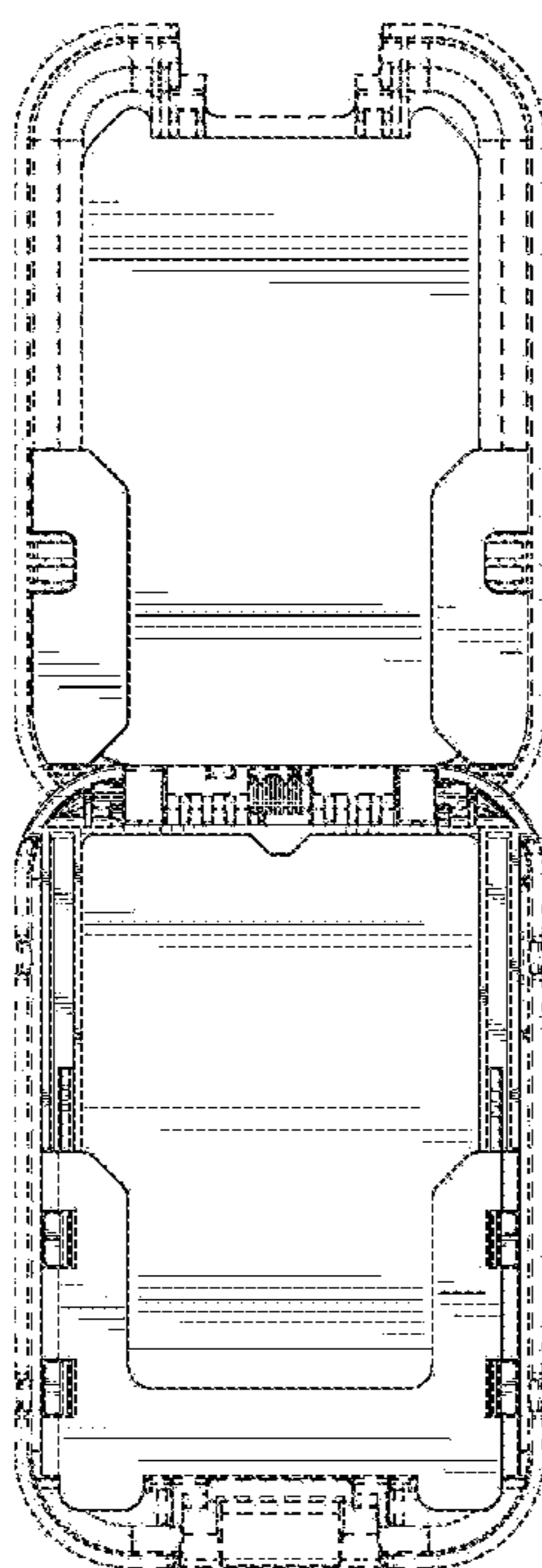
8,567,459 B2 10/2013 Kitchen
2005/0150961 A1 7/2005 Porter
2007/0194128 A1 8/2007 Coe

DESCRIPTION

FIG. 1 is a top plan view of a wallet embodying my new design shown in a first closed position;
FIG. 2 is a right side elevational view thereof;
FIG. 3 is a left side elevational view thereof;
FIG. 4 is a bottom plan view thereof;
FIG. 5 is a front elevational view thereof;
FIG. 6 is a rear elevational view thereof;
FIG. 7 is a first perspective view showing the front, the right side, and the top thereof;
FIG. 8 is a second perspective view showing the rear, the right side, and top thereof;
FIG. 9 is a first perspective view showing the insert in a second, raised position;
FIG. 10 is a second perspective view of the insert shown in the second raised position of FIG. 9;
FIG. 11 is a first perspective view showing the insert in a third, closed position; and,
FIG. 12 is a second perspective view showing insert in the third, closed position of FIG. 11.
The broken lines showing a portions of the wallet are included for the purpose of illustrating environmental structure and form no part of the claimed design.

1 Claim, 6 Drawing Sheets

* cited by examiner



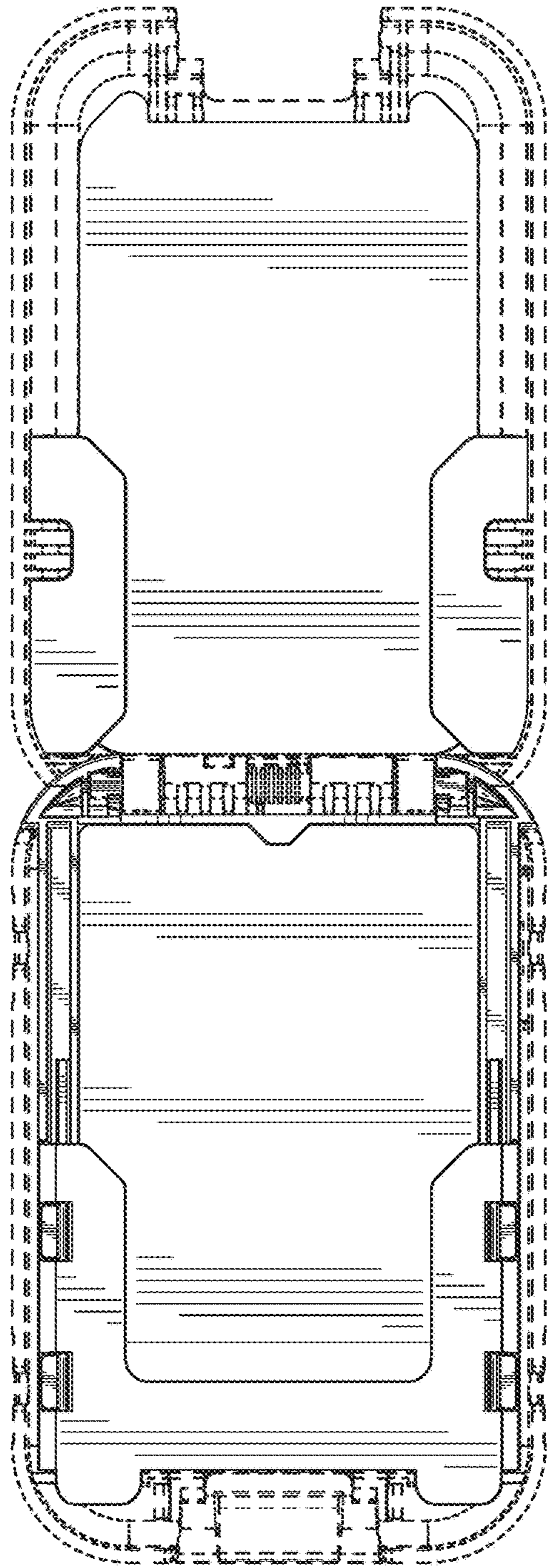


FIG. 1

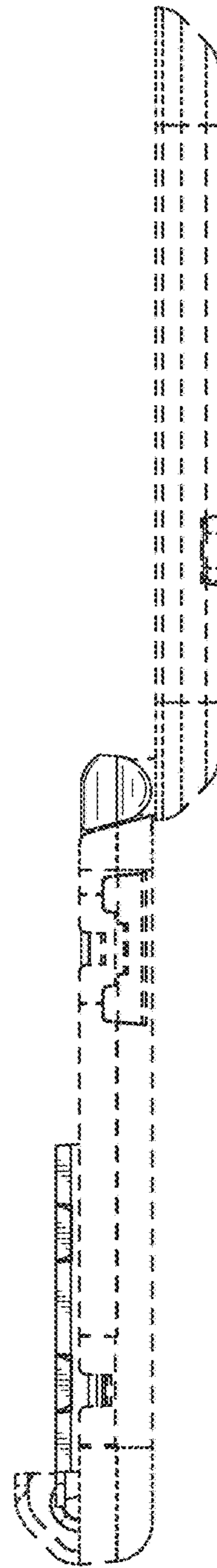


FIG. 2

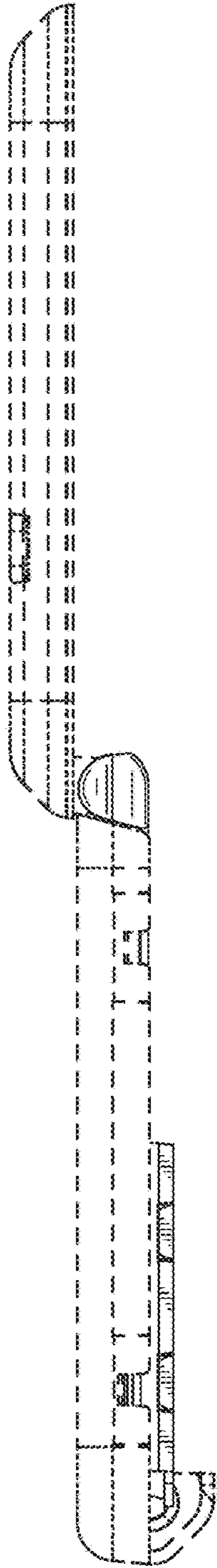


FIG. 3

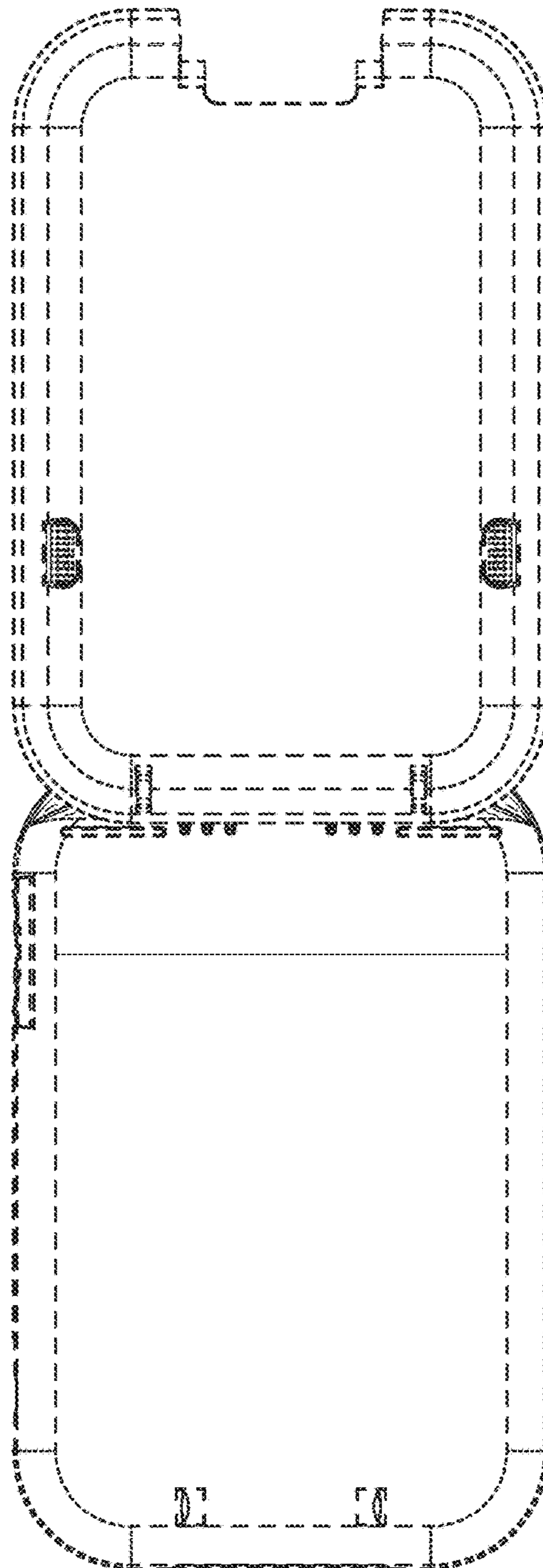


FIG. 4

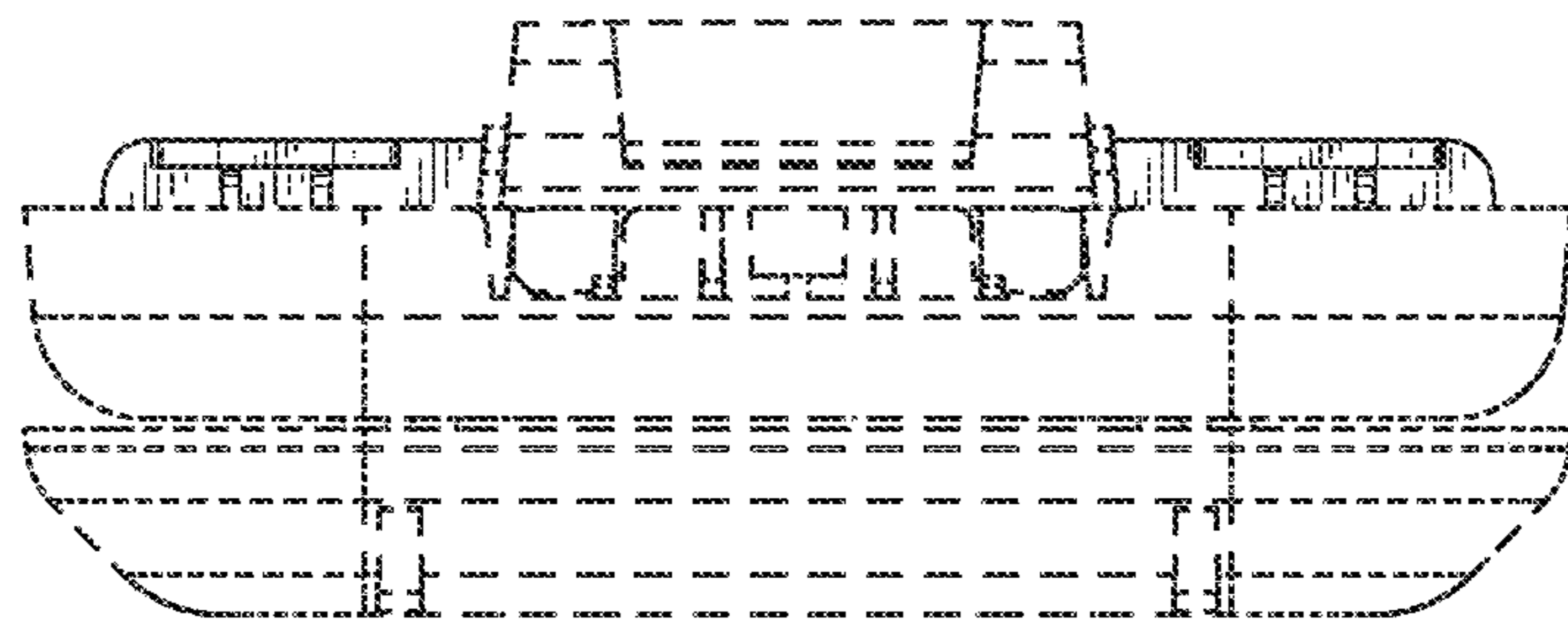


FIG. 5



FIG. 6

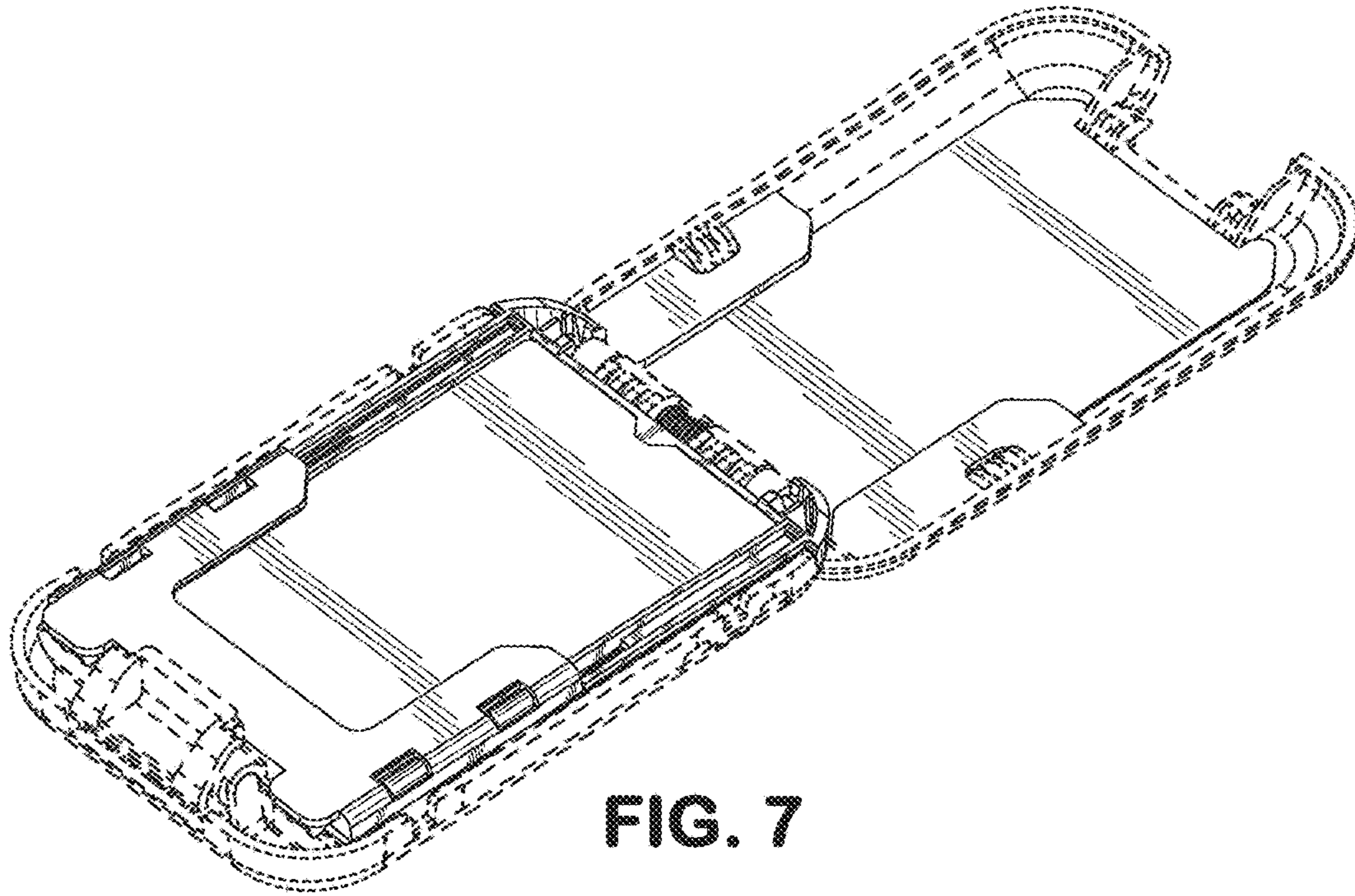


FIG. 7

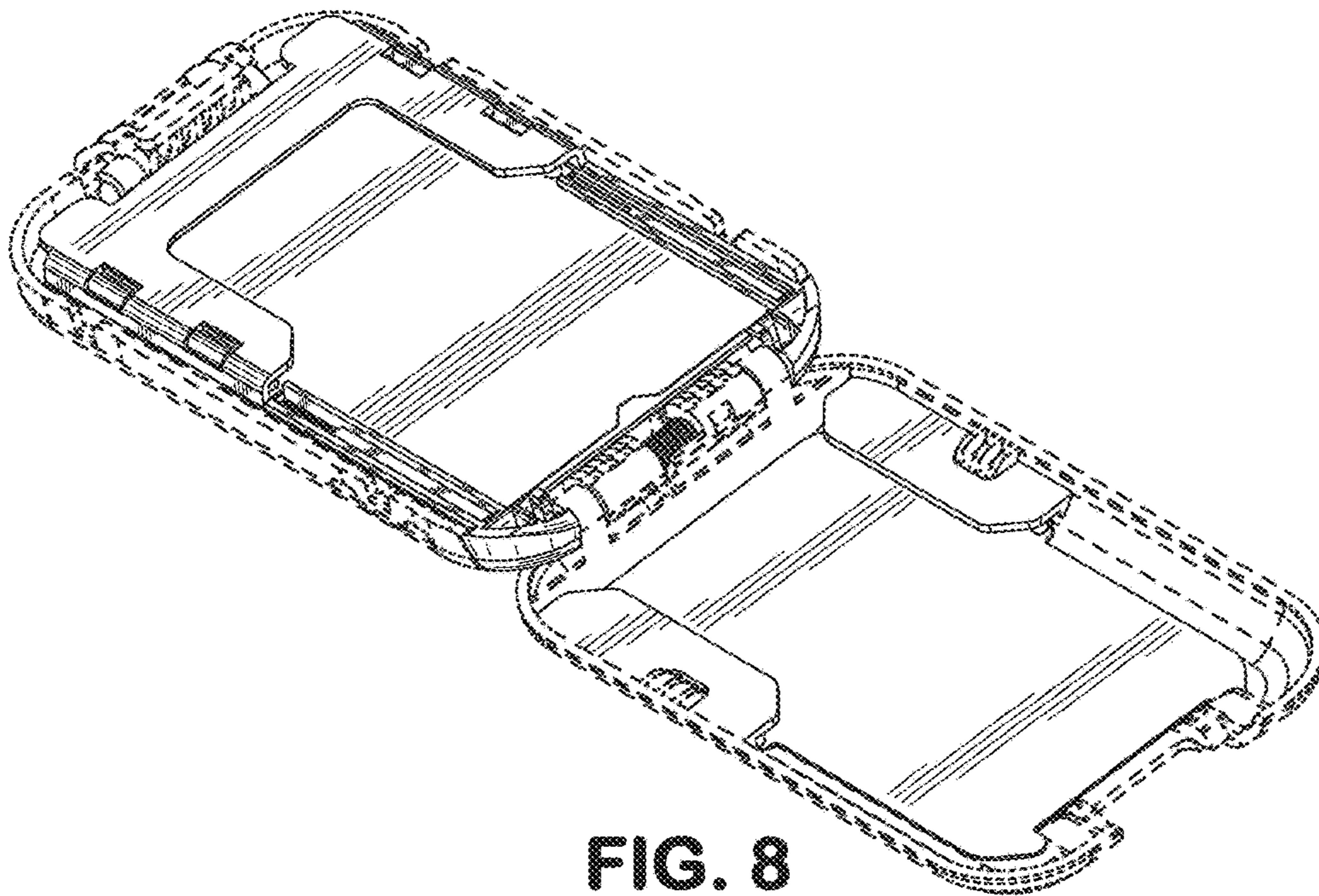


FIG. 8

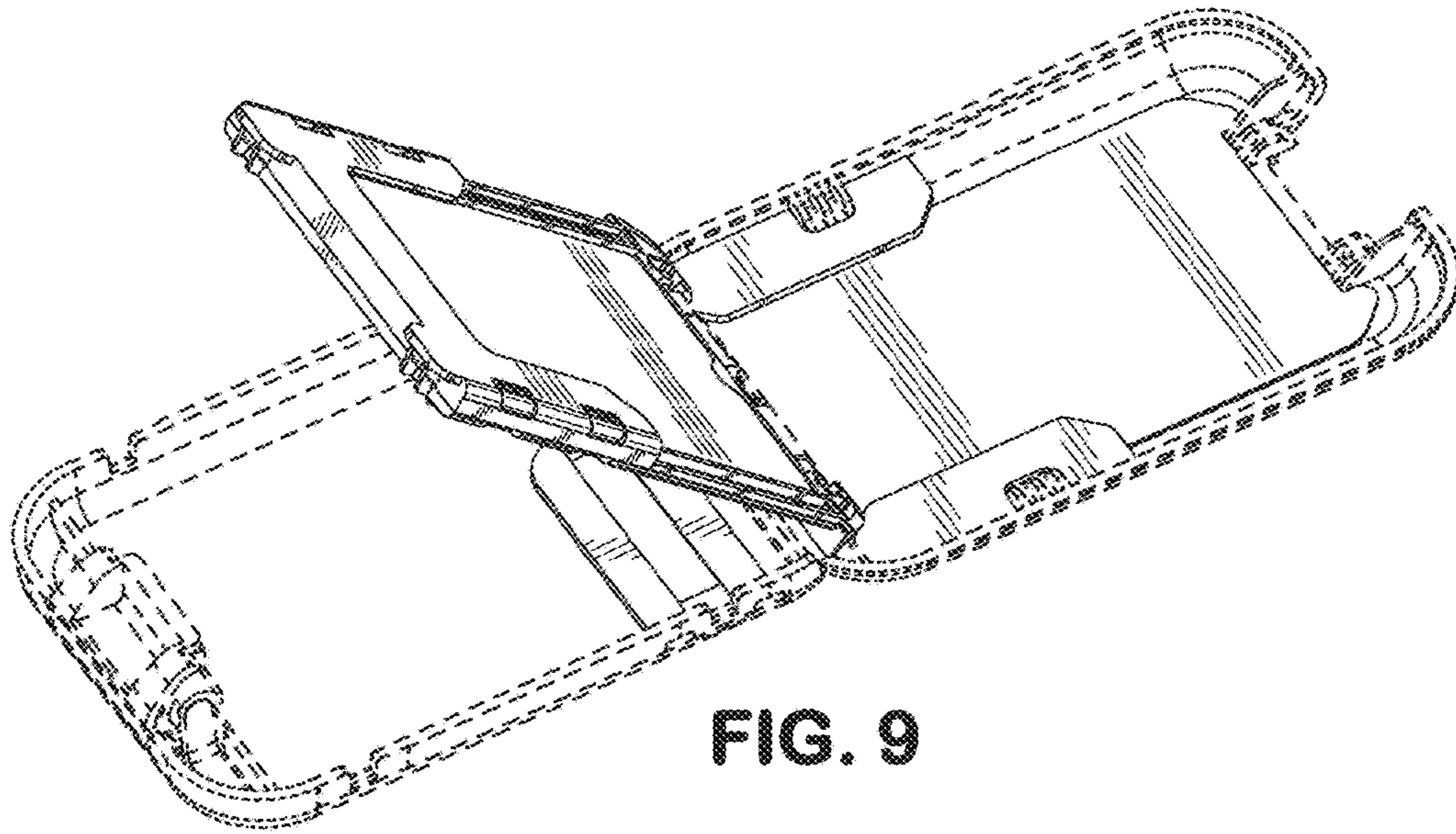


FIG. 9

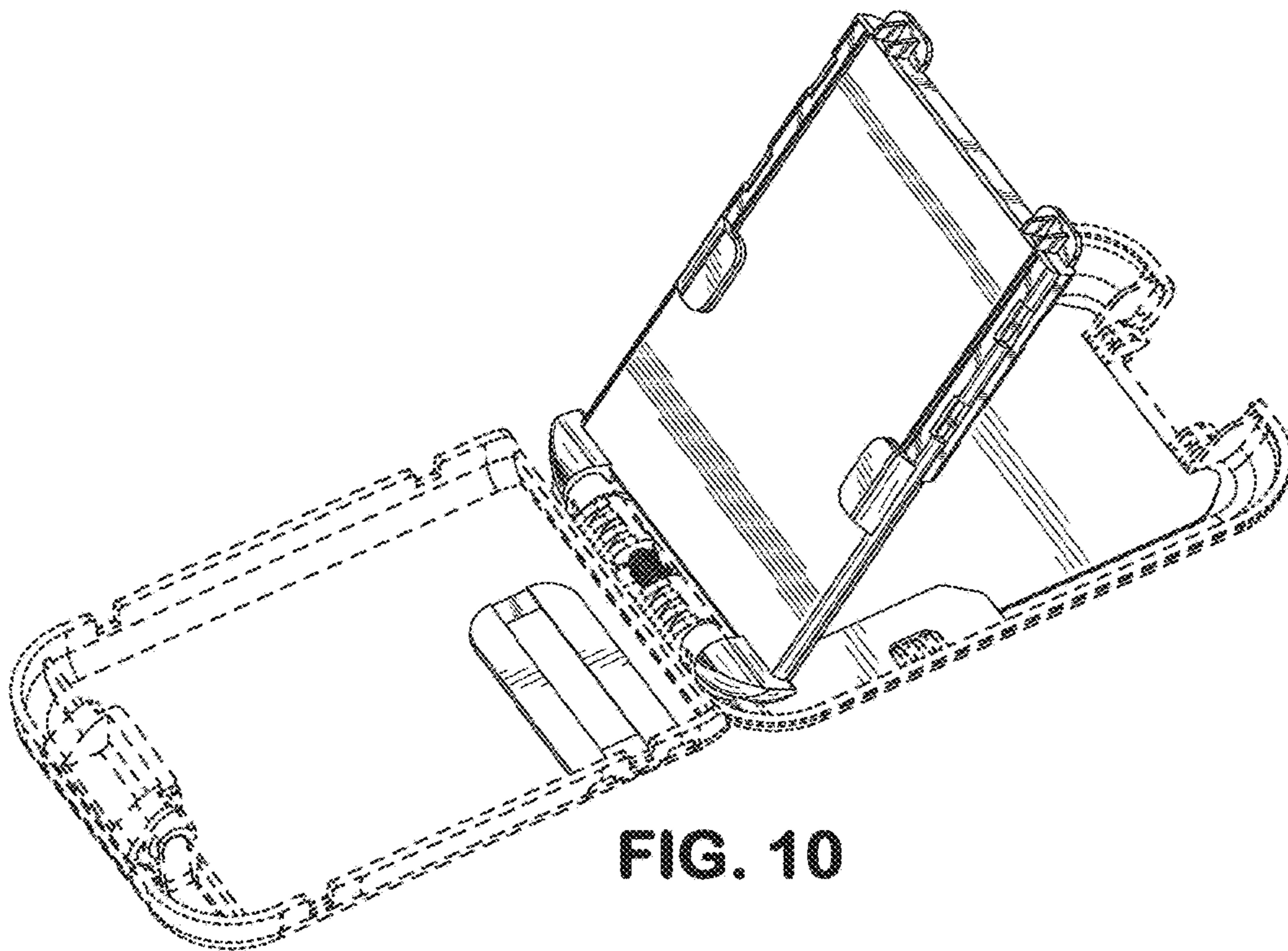


FIG. 10

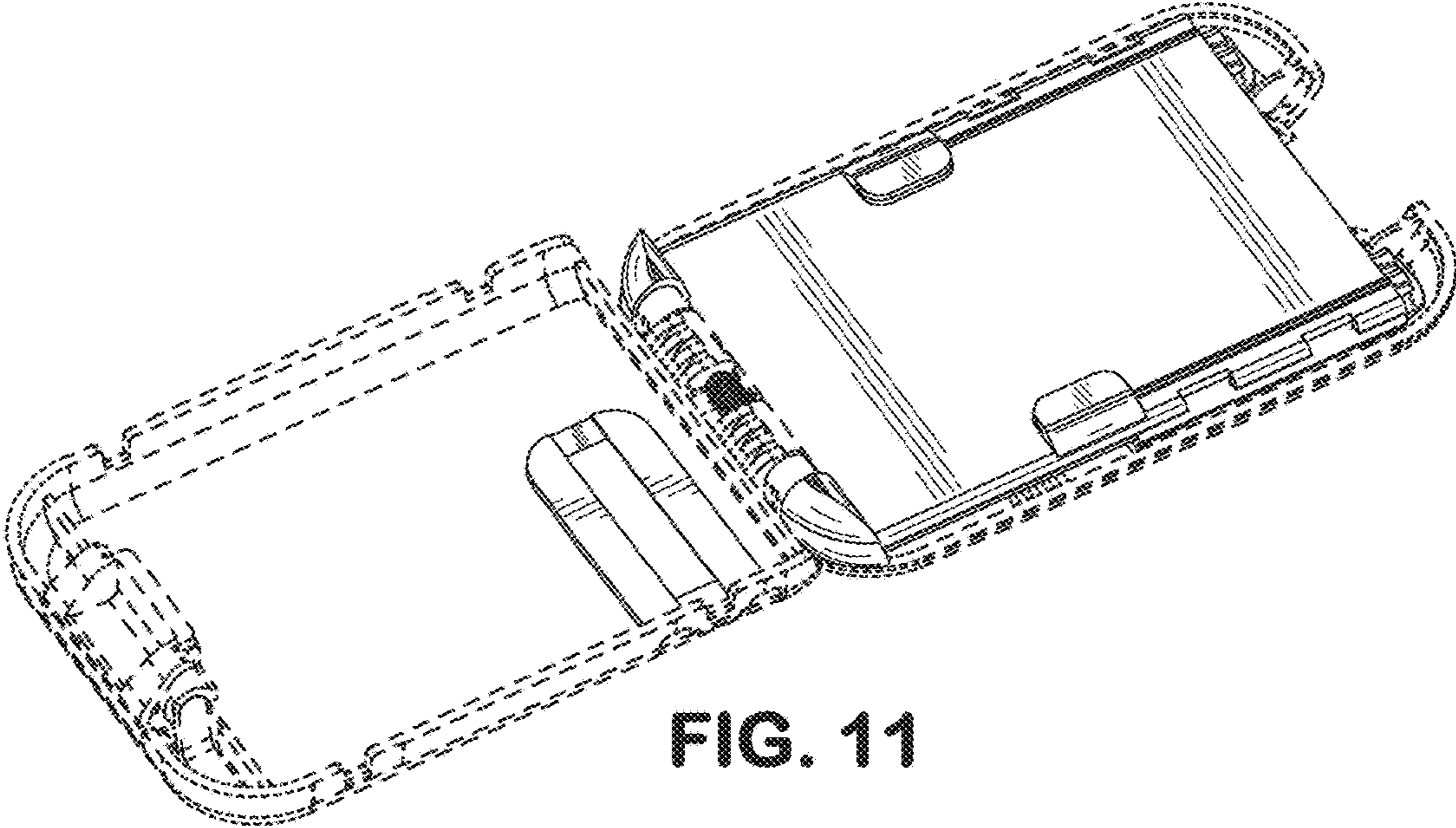


FIG. 11

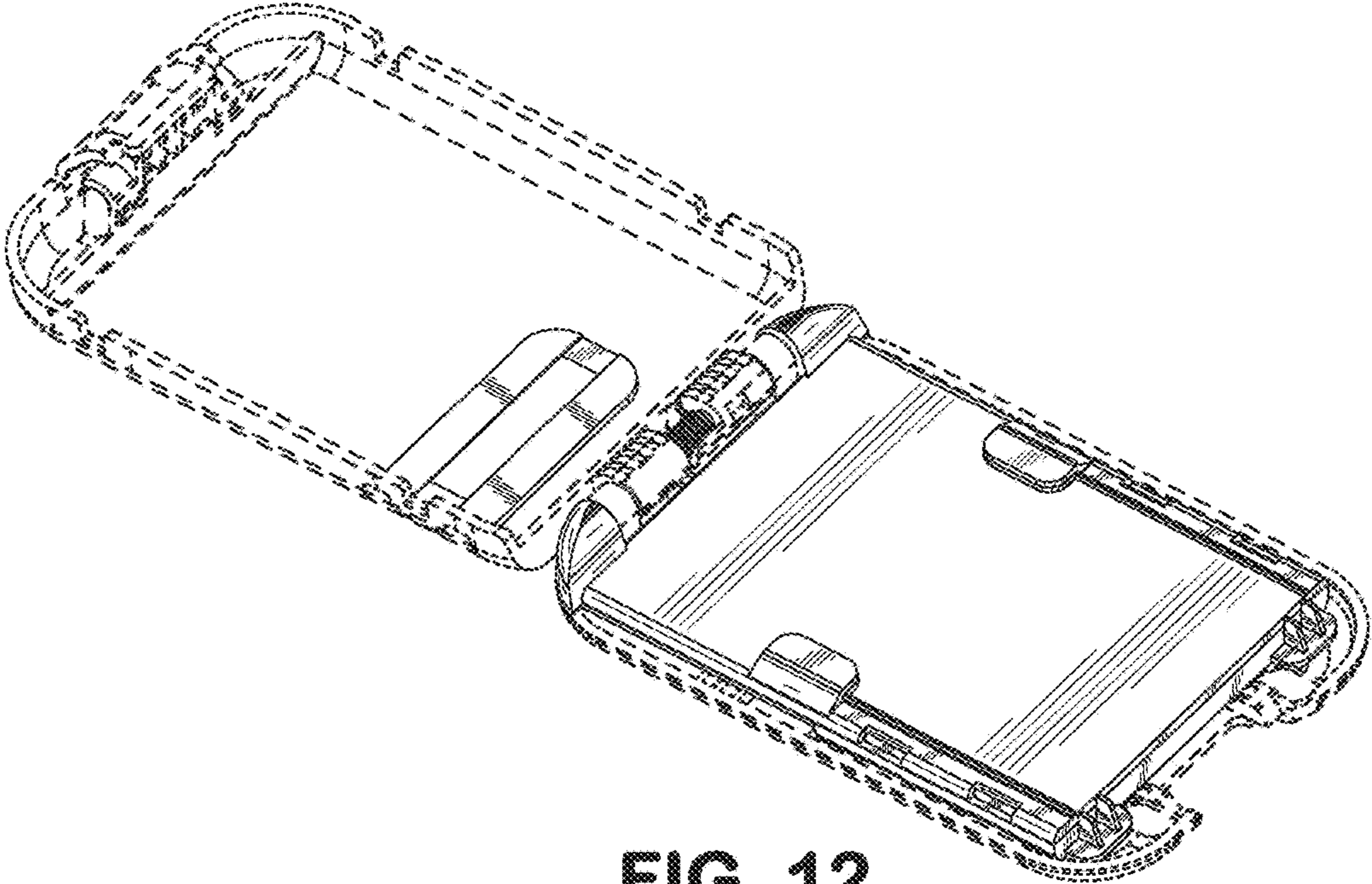


FIG. 12