



US00D821097S

(12) **United States Design Patent** (10) **Patent No.:** **US D821,097 S**
Burton et al. (45) **Date of Patent:** **** *Jun. 26, 2018**

- (54) **ROLLER BAG**
- (71) Applicant: **Barebones Systems, LLC**, Bluffdale, UT (US)
- (72) Inventors: **David Jared Burton**, Payson, UT (US); **Erik Robert Workman**, Salt Lake City, UT (US); **Michelle Ann Merrill**, Draper, UT (US); **Robert Emmett Workman**, Morgan, UT (US)
- (73) Assignee: **BAREBONES SYSTEMS, LLC**, Salt Lake City, UT (US)
- (*) Notice: This patent is subject to a terminal disclaimer.
- (**) Term: **15 Years**
- (21) Appl. No.: **29/535,201**
- (22) Filed: **Aug. 4, 2015**
- (51) **LOC (11) Cl.** **03-01**
- (52) **U.S. Cl.**
USPC **D3/289**; D3/279
- (58) **Field of Classification Search**
USPC D3/273, 276, 284, 283, 285, 287, 289, D3/290, 900, 902, 217, 243, 232; D7/709, 605, 607
CPC A45C 2003/007; A45C 2003/008; A45C 3/02; A45C 7/0059; A45C 11/20; A45C 3/00
See application file for complete search history.

D591,045 S *	4/2009	Chu	D3/283
D620,708 S *	8/2010	Sanz	D3/276
D639,051 S *	6/2011	Dare	D3/260
D648,532 S *	11/2011	Sosnovsky	D3/283
D648,533 S *	11/2011	Sosnovsky	D3/283
D765,967 S *	9/2016	Boroski	D3/232
2005/0121275 A1 *	6/2005	Platte, III	A45C 5/14 190/103

OTHER PUBLICATIONS

Barebone Living, "Coolers", Accessed Feb. 2, 2017. (<https://www.barebonesliving.com/c/10/Coolers>).*

Overstock, "Picnic at Ascot Picnic Cooler for Four/Wheeled Cart Houndstooth", First reviewed on Jun. 19, 2015, Accessed Feb. 2, 2016. (<https://www.overstock.com/Home-Garden/Picnic-at-Ascot-Picnic-Cooler-for-Four-Wheeled-Cart-Houndstooth/8070650/product.html?recset=b5e069fe-b313-483b-be6d-00731776124d&refccid=DXBUSIPETIILFQCMOVKB4ESYJY&searchidx=13&recal>).*

* cited by examiner

Primary Examiner — Jennifer Rivard

Assistant Examiner — April Rivas

(74) *Attorney, Agent, or Firm* — Morriss O'Bryant
Compagni Cannon, PLLC

(57) **CLAIM**

The ornamental design for a roller bag, as shown and described.

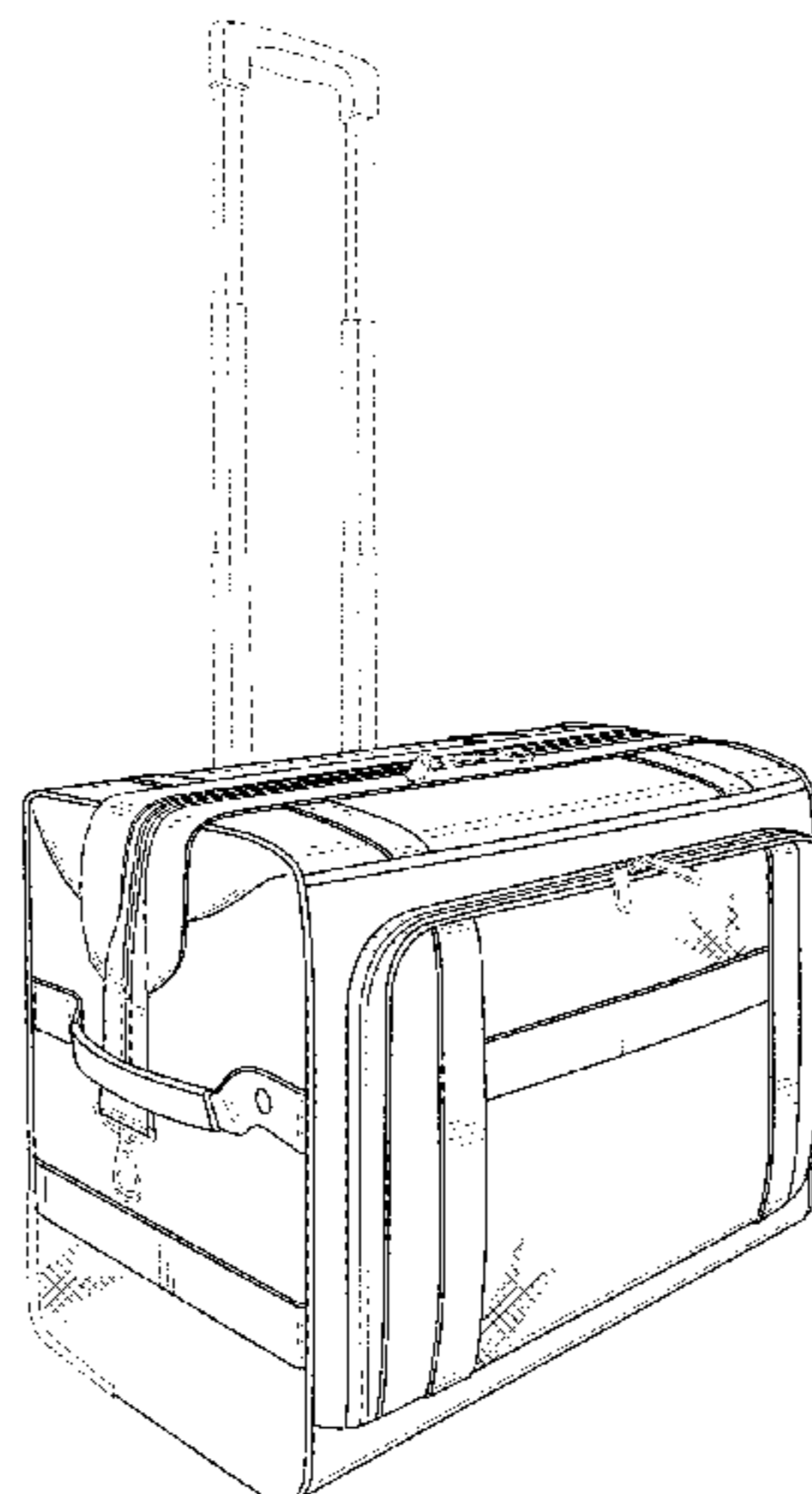
DESCRIPTION

FIG. 1 is a perspective front side view of a roller bag of the present invention;
 FIG. 2 is a front side view of the roller bag;
 FIG. 3 is a back side view of the roller bag;
 FIG. 4 is a left side view of the roller bag;
 FIG. 5 is a right side view of the roller bag;
 FIG. 6 is a top side view of the roller bag; and,
 FIG. 7 is a bottom side view of the roller bag.
 The broken lines shown in the drawings illustrate portions of the roller bag and form no part of the claimed design.

1 Claim, 5 Drawing Sheets

(56) **References Cited**
 U.S. PATENT DOCUMENTS

D269,739 S *	7/1983	Stark	D3/283
D361,662 S *	8/1995	King	D3/276
D387,626 S *	12/1997	Melk	D7/605
D472,385 S *	4/2003	Bauer	A45C 7/0045 D3/276
D474,598 S *	5/2003	Platte, III	D3/279
D507,879 S *	8/2005	Santy	D3/289



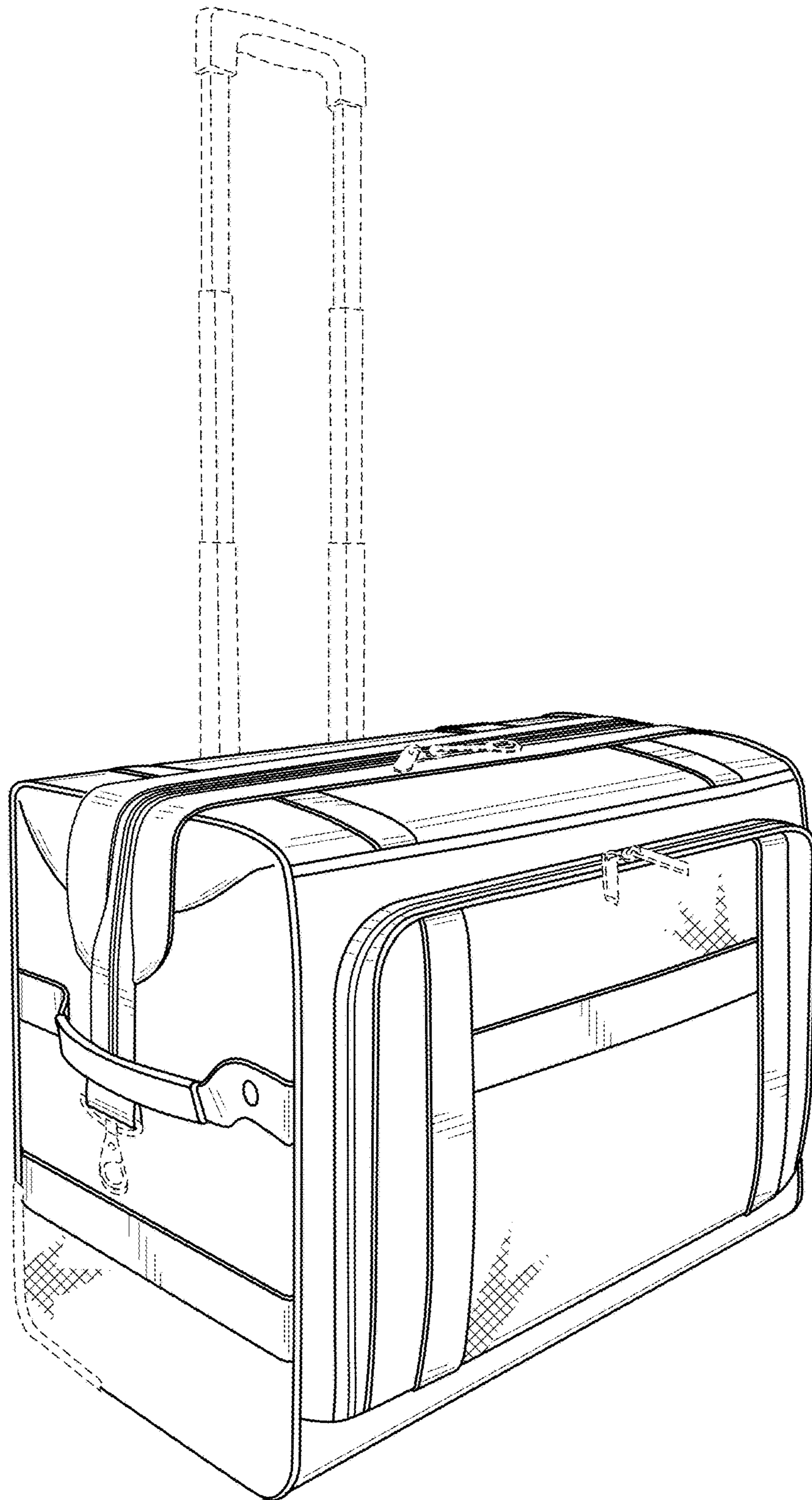


FIG. 1

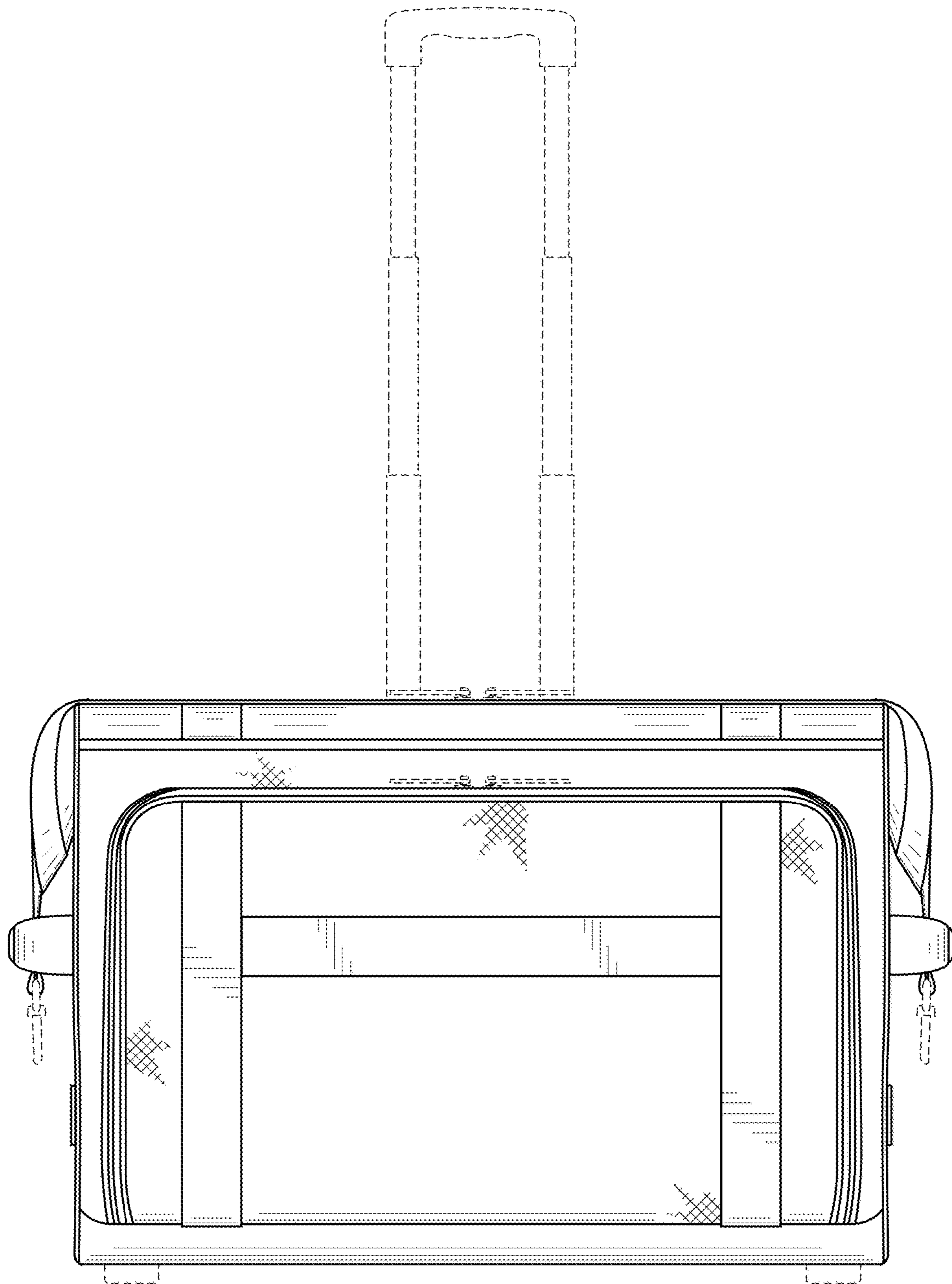


FIG. 2

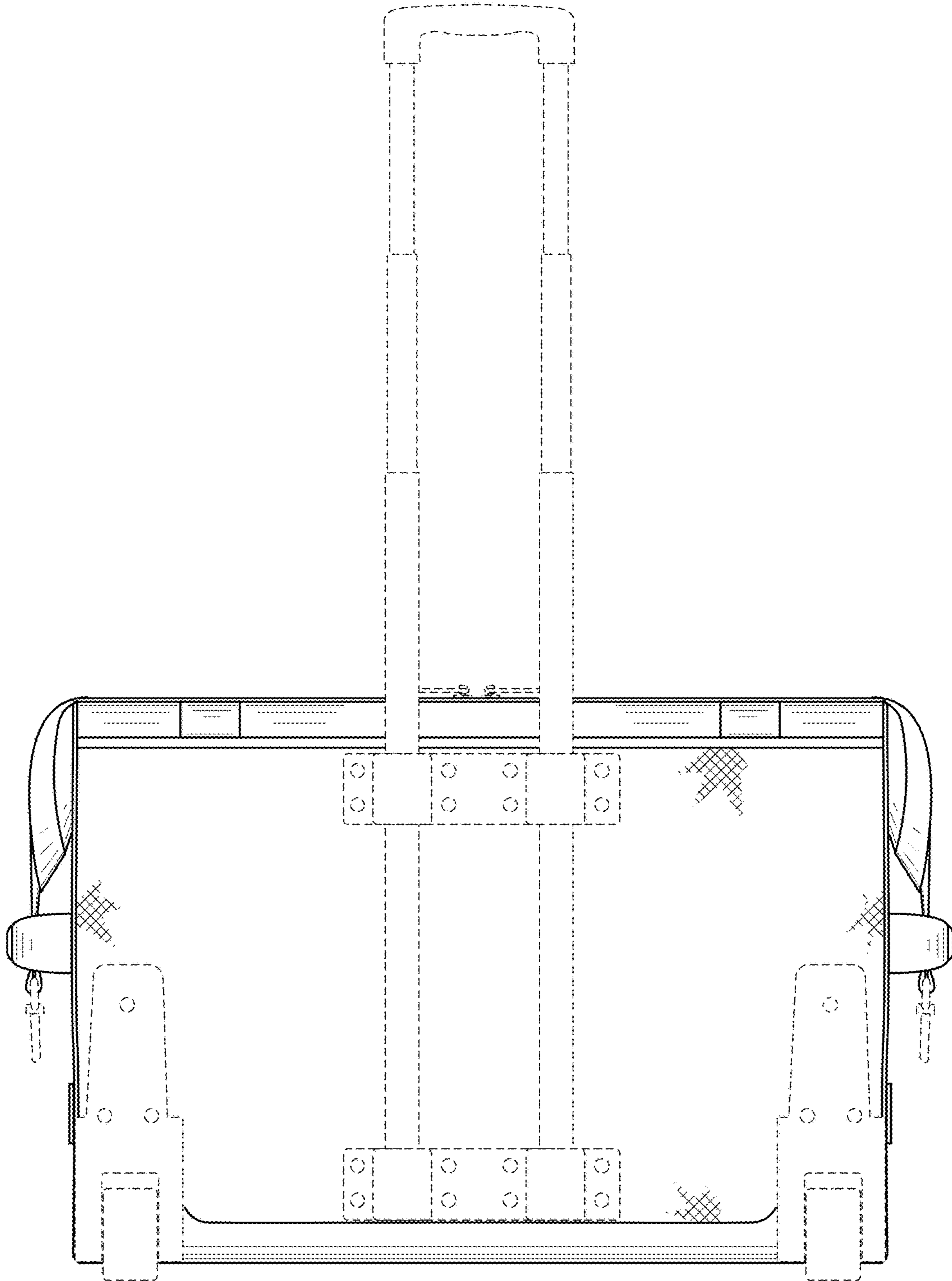


FIG. 3

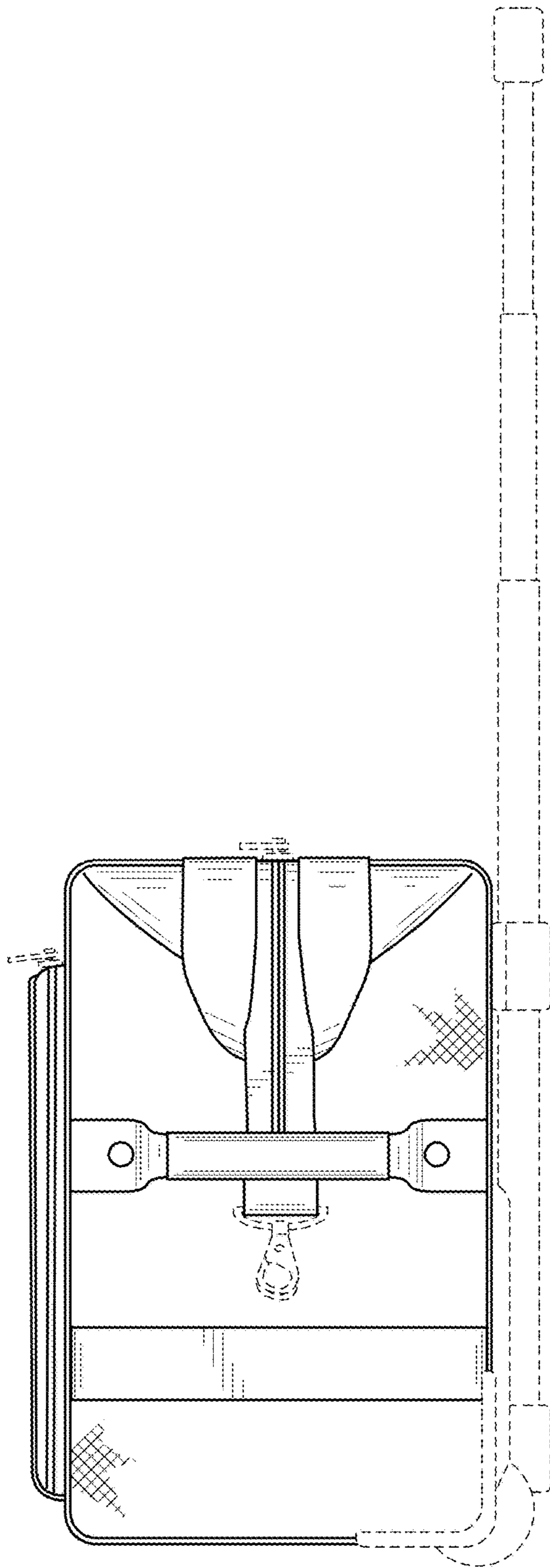


FIG. 4

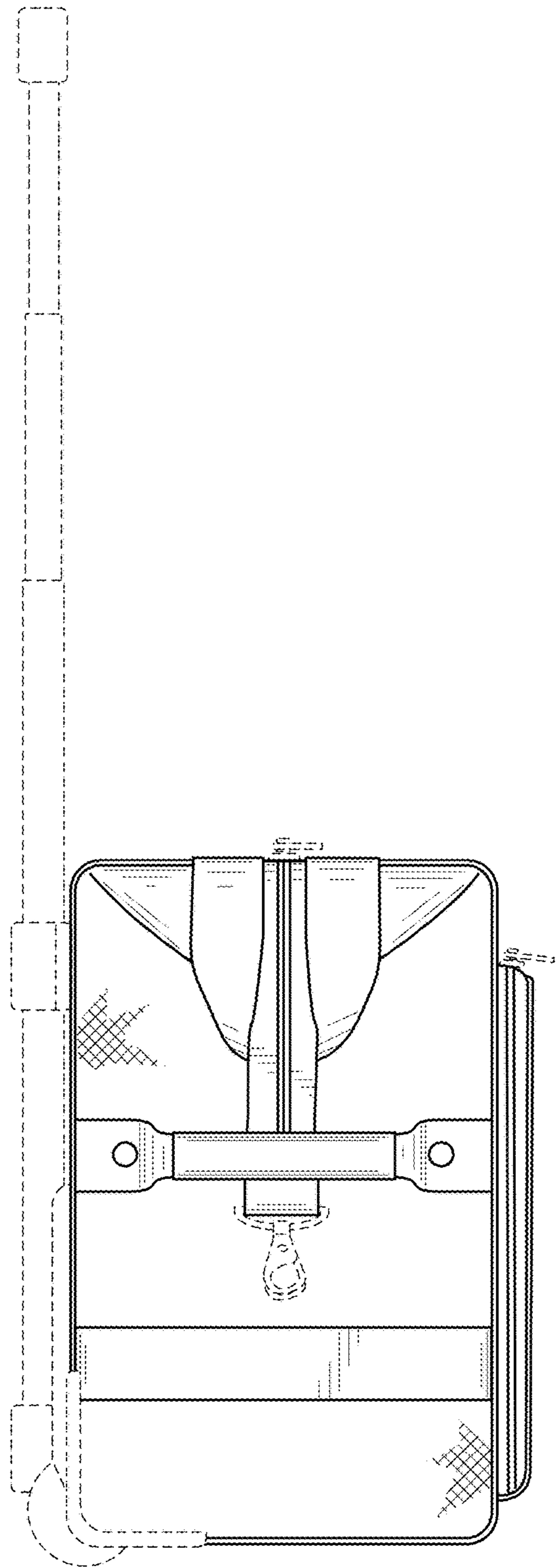


FIG. 5

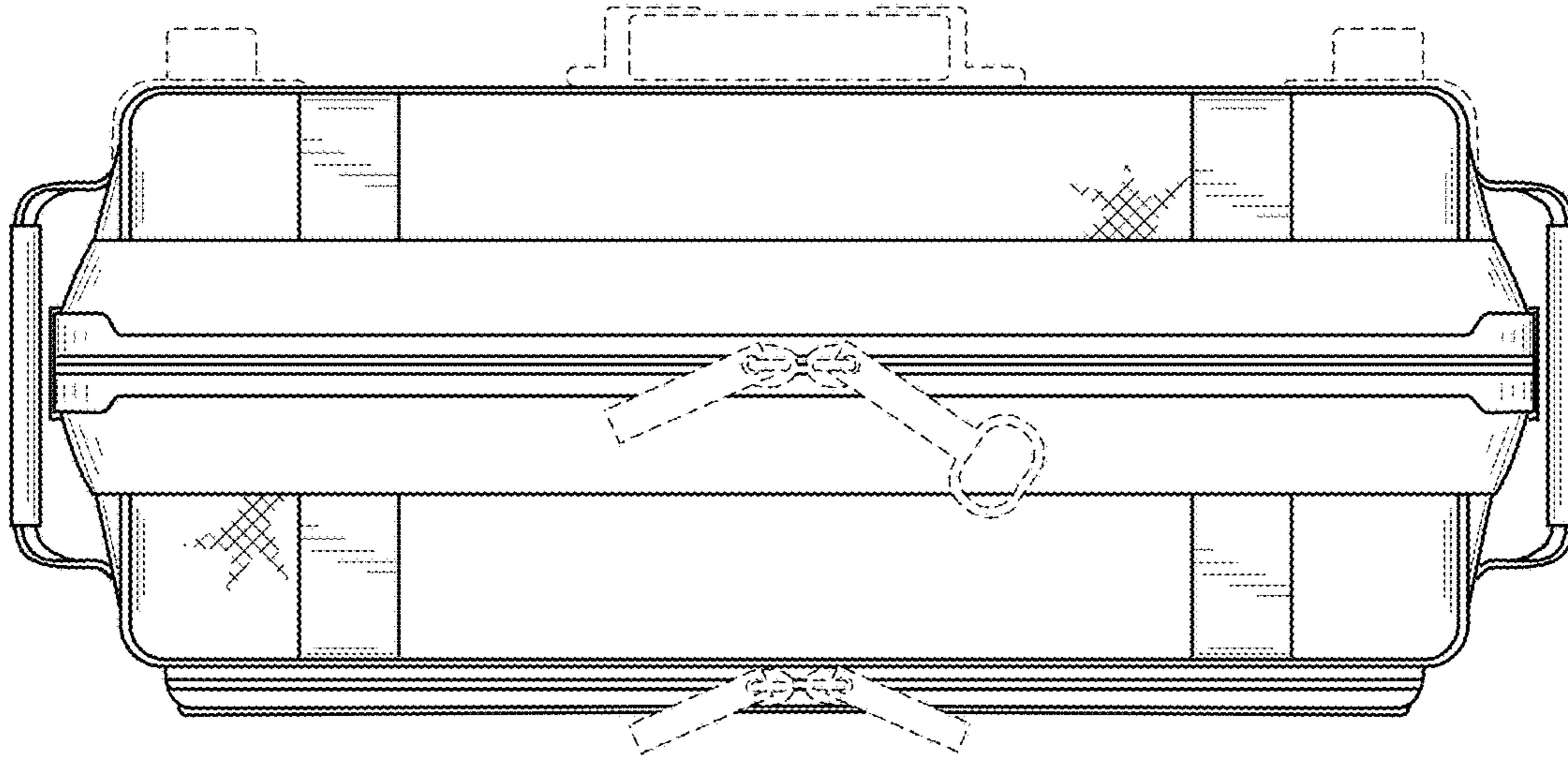


FIG. 6

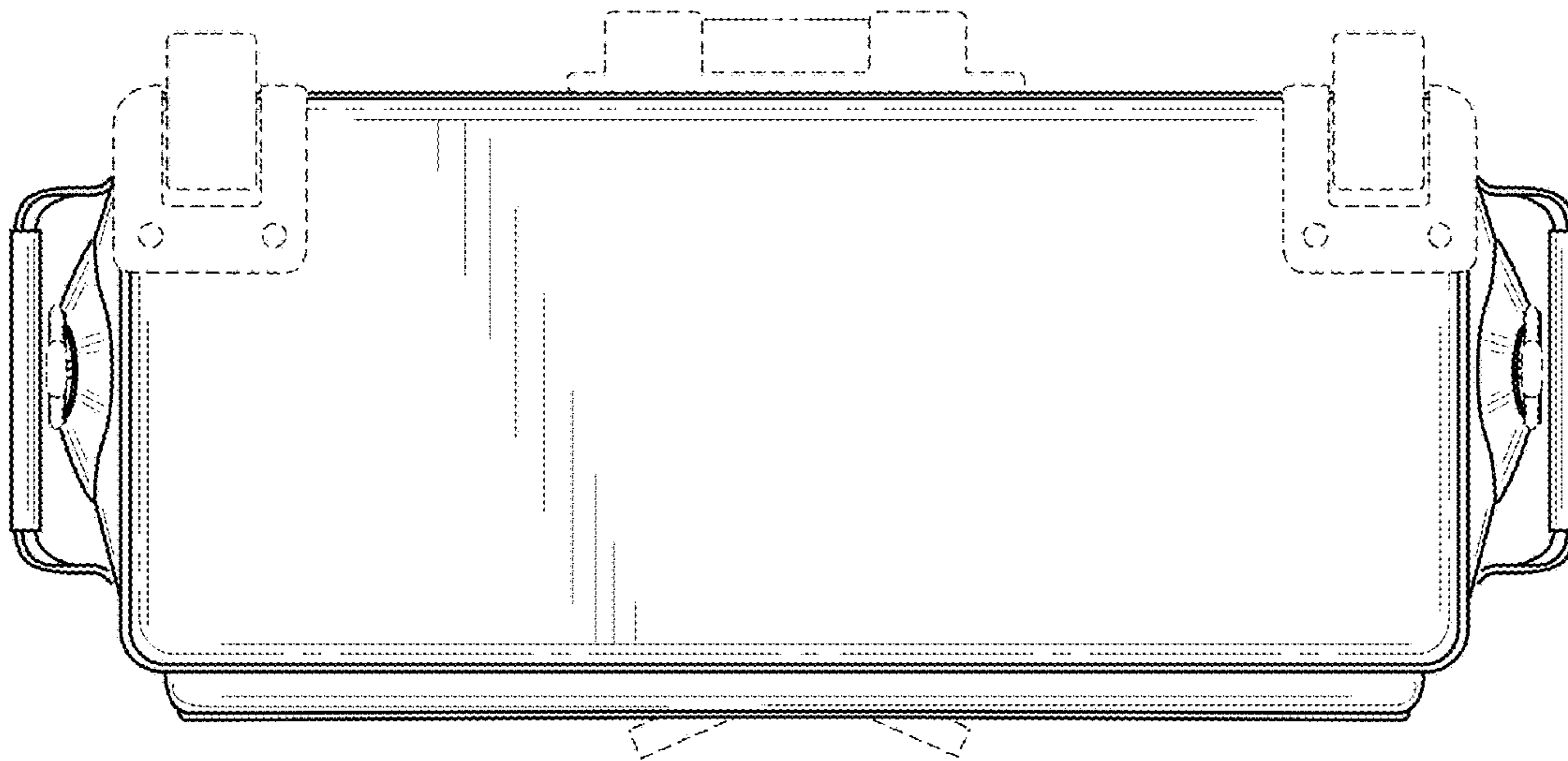


FIG. 7