



US00D821094S

(12) **United States Design Patent**
Dragicevic

(10) **Patent No.:** **US D821,094 S**
(45) **Date of Patent:** **** Jun. 26, 2018**

(54) **V-SHAPED SOFT SIDE MAH JONGG SET BAG**

(71) Applicant: **Milivoj Dragicevic**, Woodbridge (CA)

(72) Inventor: **Milivoj Dragicevic**, Woodbridge (CA)

(**) Term: **15 Years**

(21) Appl. No.: **29/583,679**

(22) Filed: **Nov. 8, 2016**

(51) **LOC (11) Cl.** **03-01**

(52) **U.S. Cl.**
USPC **D3/246**

(58) **Field of Classification Search**
USPC D21/392, 393, 394, 396; D3/231, 232,
D3/233, 239-243, 245, 246
CPC A45C 3/00; A45C 3/06
See application file for complete search history.

(56) **References Cited**

U.S. PATENT DOCUMENTS

- D24,543 S * 8/1895 Bruning D3/241
- 1,760,681 A * 5/1930 Barol A45C 3/06
- 150/107
- D119,577 S * 3/1940 Michel D3/246
- D128,557 S * 7/1941 Pichel D3/246
- D165,492 S * 12/1951 Stakofsky D3/246
- D227,945 S * 7/1973 Hirtz D3/246
- D326,772 S * 6/1992 Kennedy D3/233
- D416,677 S * 11/1999 Christman D3/232

- D426,060 S * 6/2000 Chapelier D3/232
- D447,866 S * 9/2001 Achache D3/233
- D456,991 S * 5/2002 Achache D3/233
- D481,536 S * 11/2003 Vidal D3/246
- D530,508 S * 10/2006 Delafontaine D3/243
- D530,509 S * 10/2006 Delafontaine D3/243
- D535,820 S * 1/2007 Kamiya D3/246
- D539,537 S * 4/2007 Guyon D3/246
- D695,568 S * 12/2013 Hayes D3/233
- D787,823 S * 5/2017 Nair D3/232

* cited by examiner

Primary Examiner — George D. Kirschbaum

Assistant Examiner — Joseph J Kukella

(74) *Attorney, Agent, or Firm* — Davis & Bujold PLLC;
Michael J. Bujold

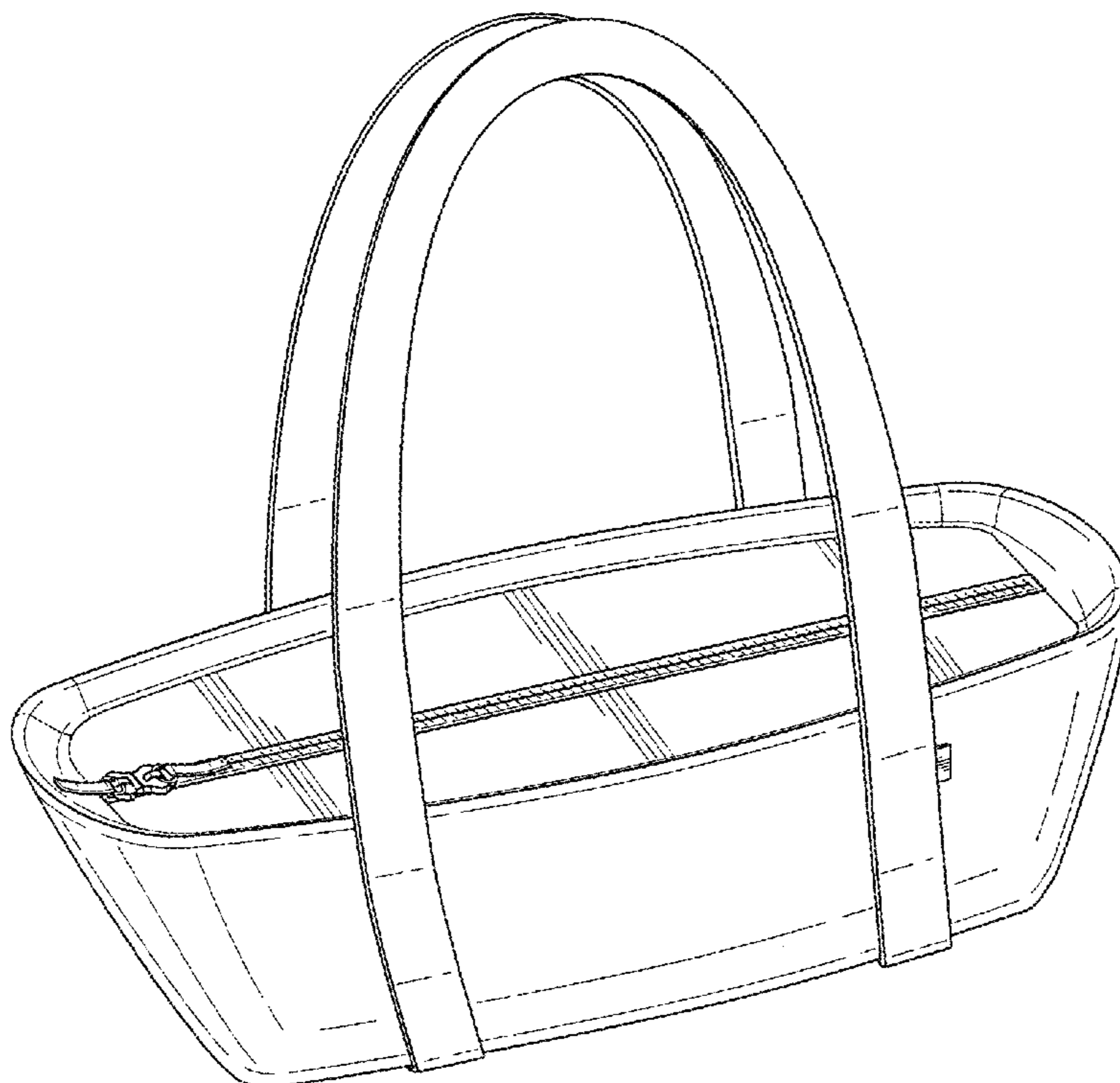
(57) **CLAIM**

I claim the ornamental design for a V-shaped soft side mah jongg set bag, as shown and described.

DESCRIPTION

FIG. 1 is a perspective view of a V-shaped soft side mah jongg set bag embodying my new design; FIG. 2 is a front elevational view thereof; FIG. 3 is a rear elevational view thereof; FIG. 4 is a left side elevational view thereof; FIG. 5 is a right side elevational view thereof; FIG. 6 is a top plan view thereof; and, FIG. 7 is a bottom plan view thereof.

1 Claim, 6 Drawing Sheets



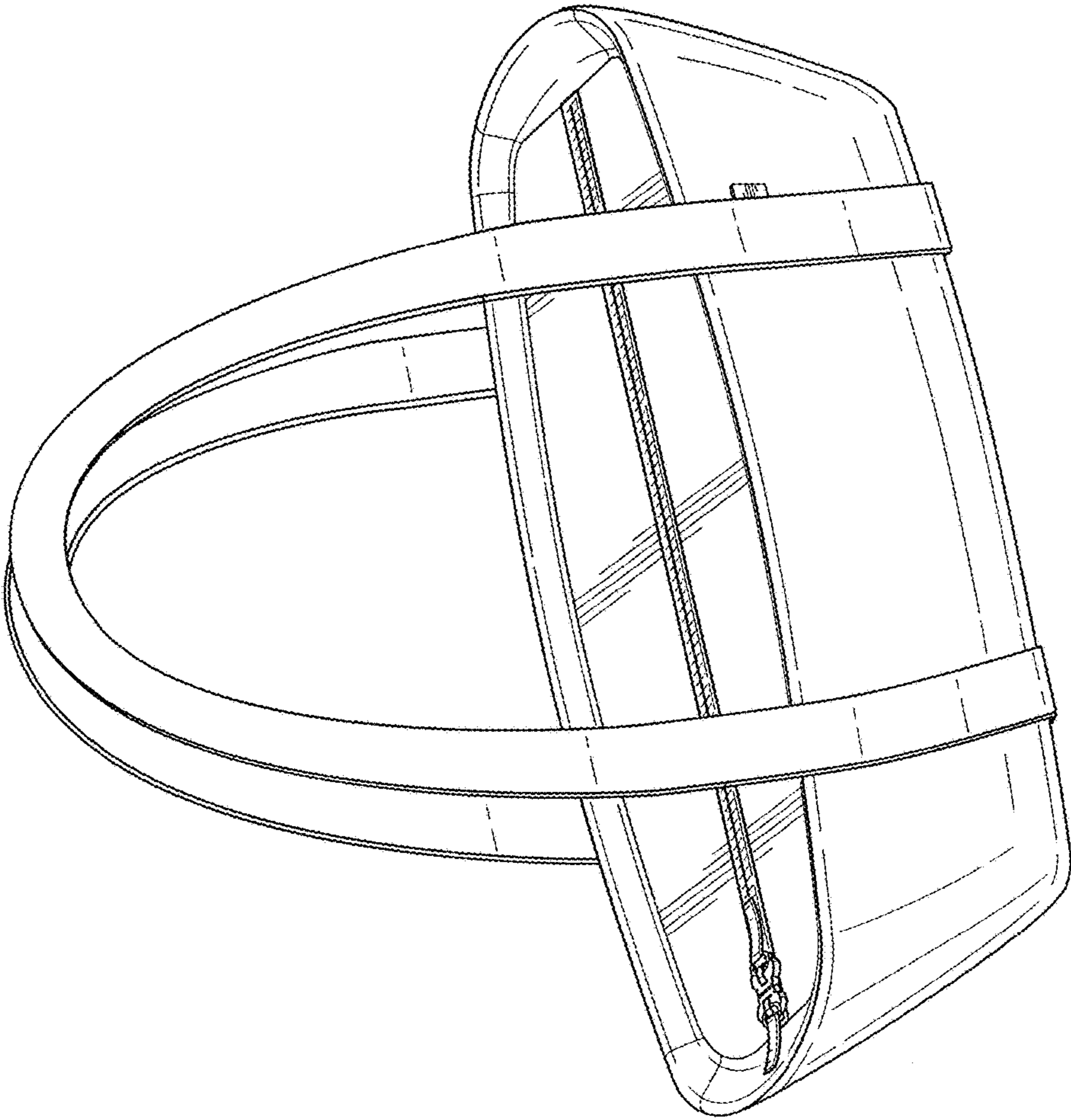


FIG. 1

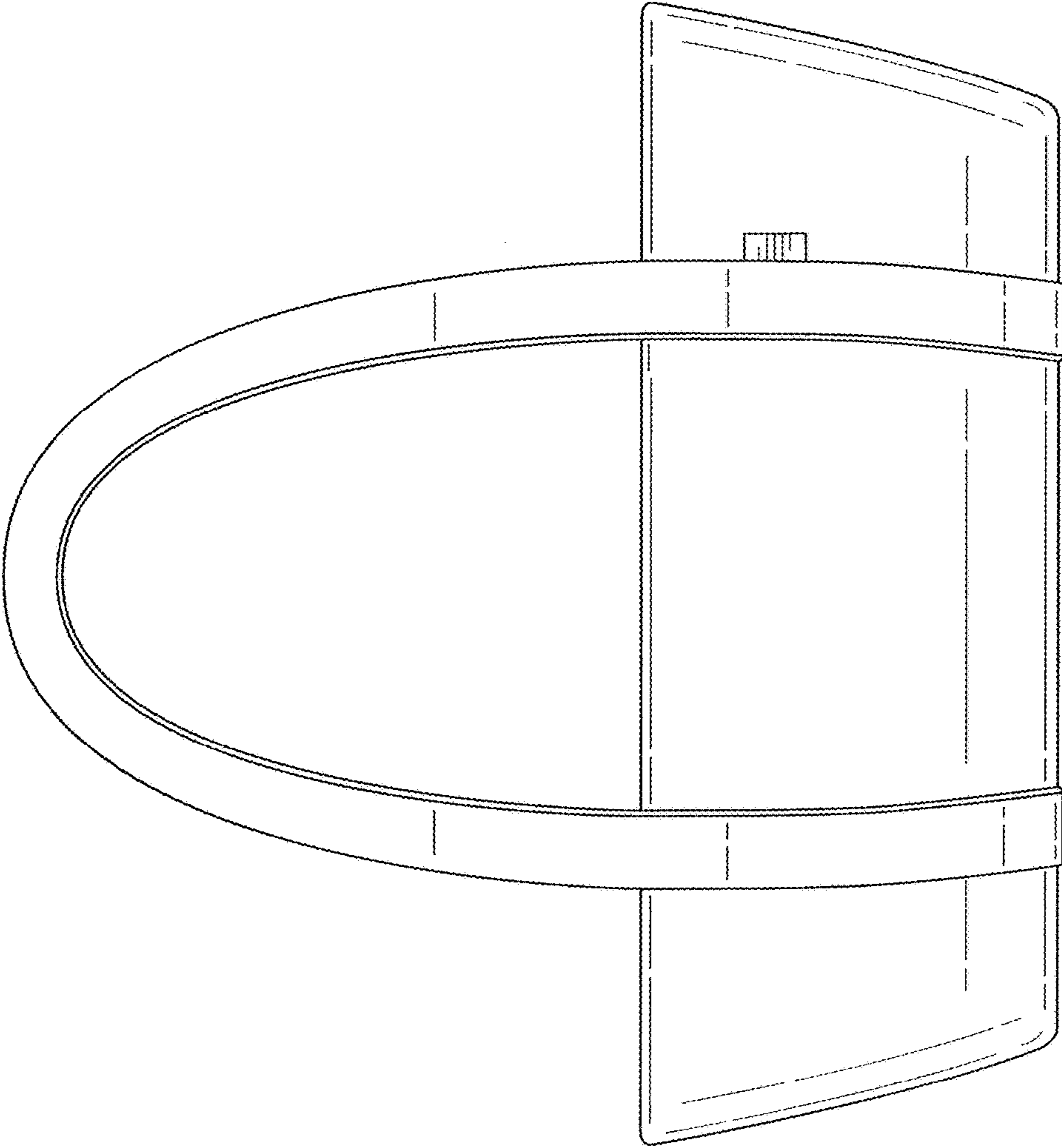


FIG. 2

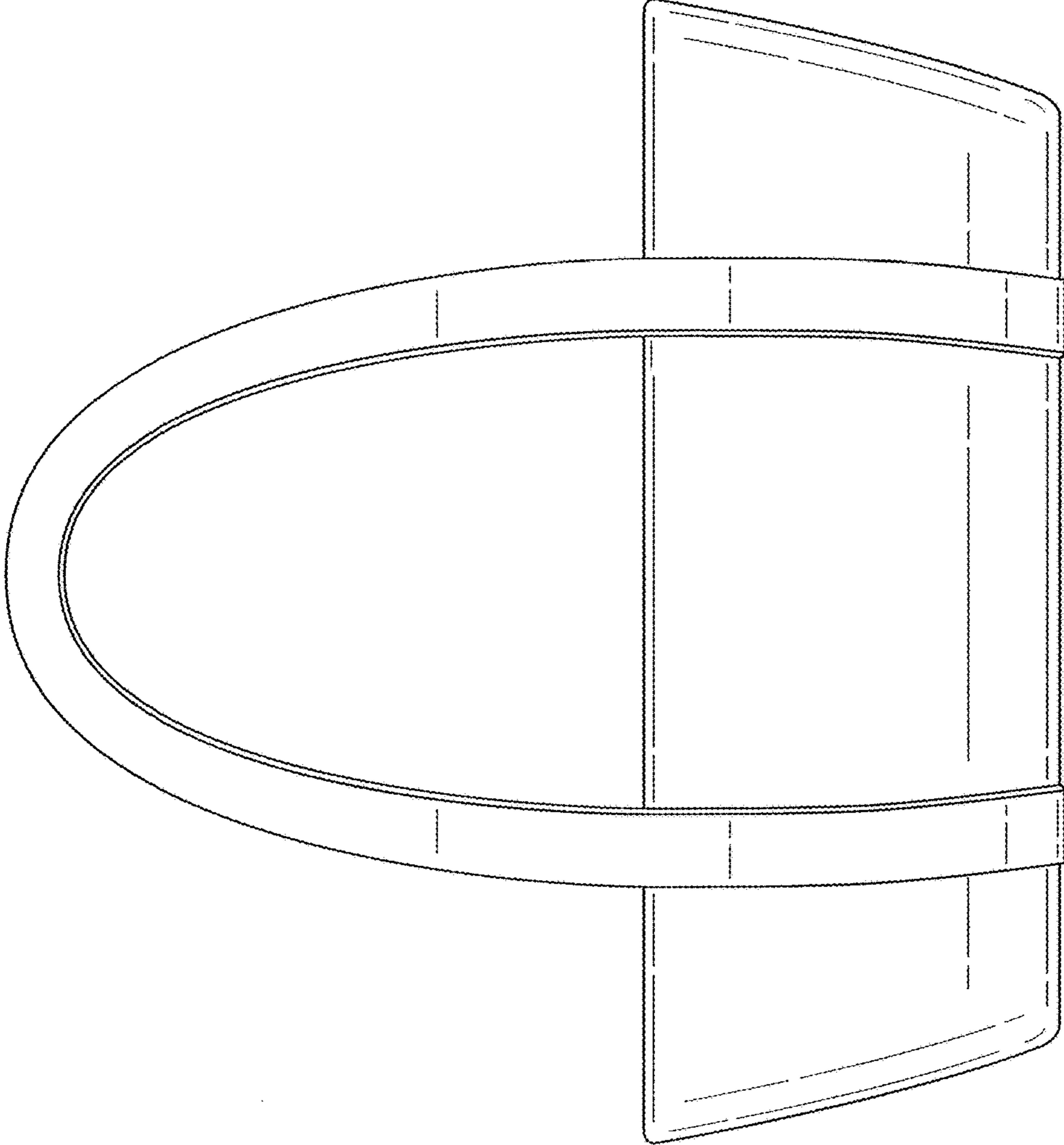


FIG. 3

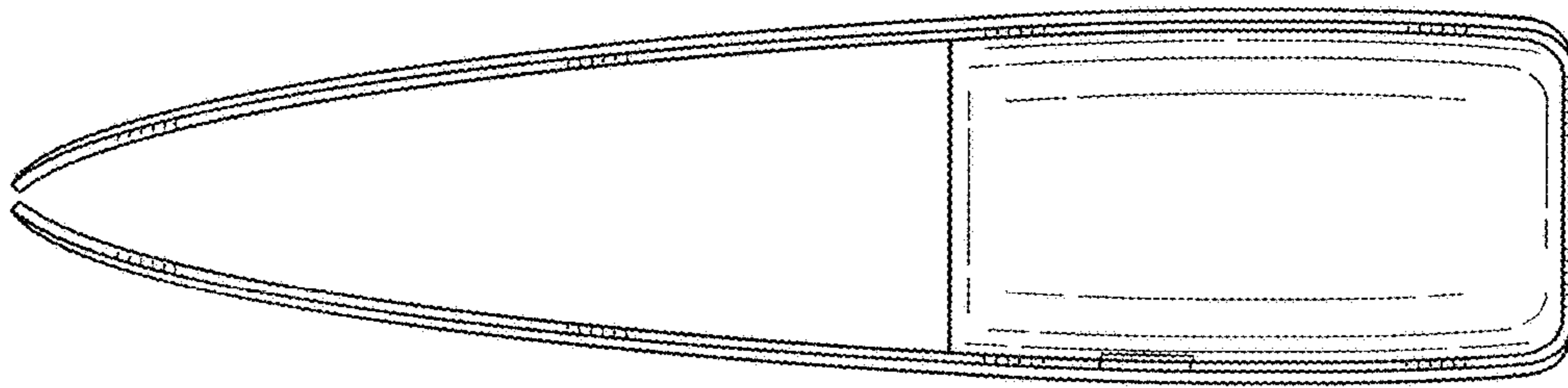


FIG. 5

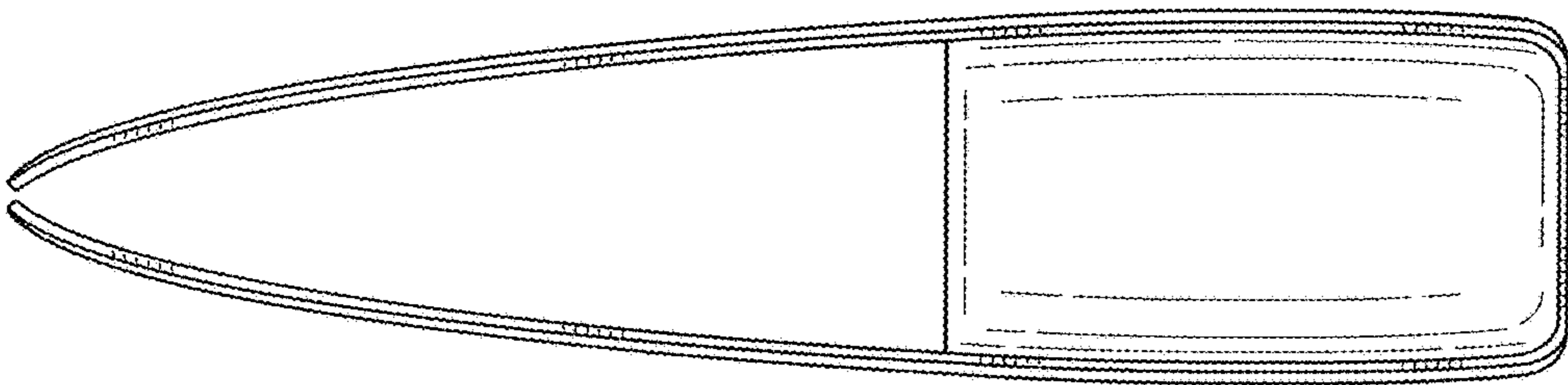


FIG. 4

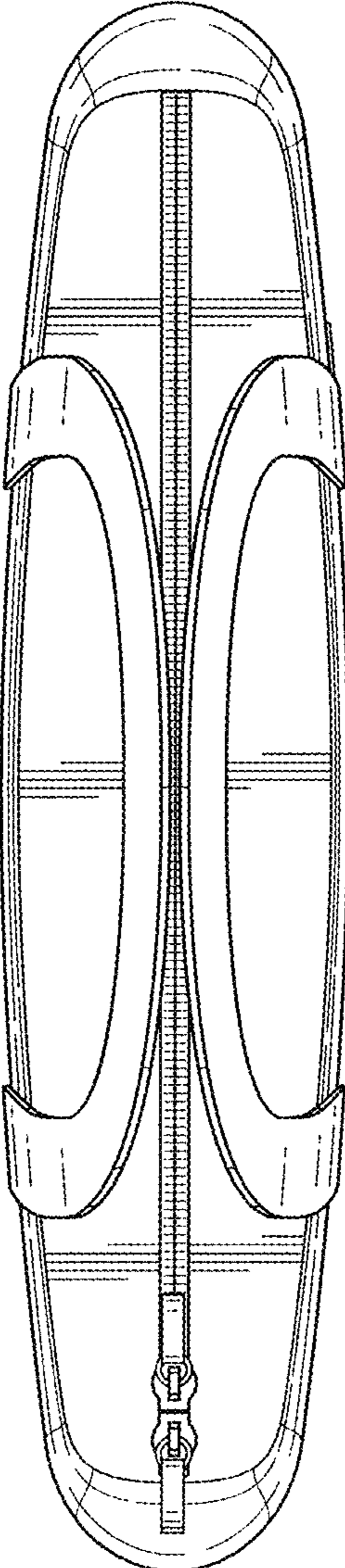


FIG. 6

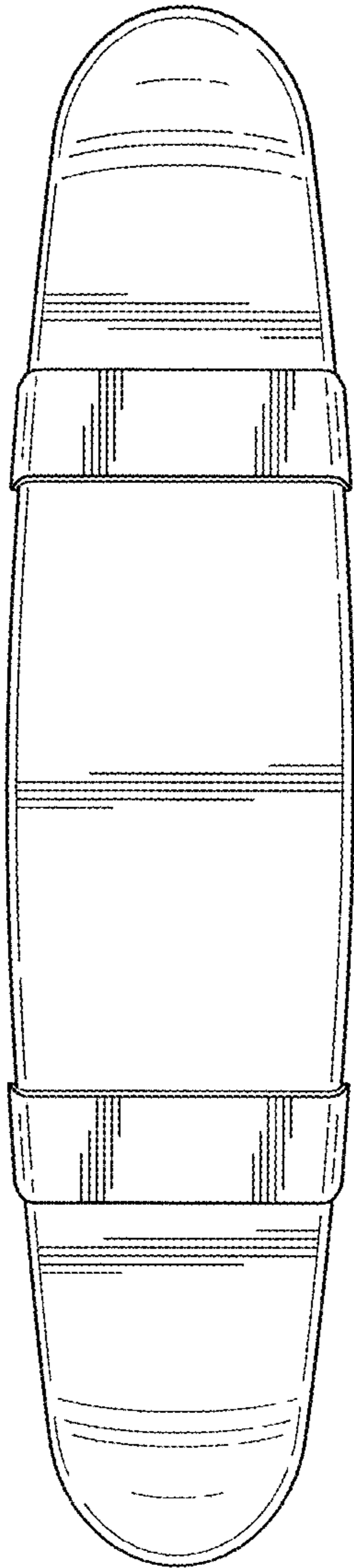


FIG. 7