



US00D821092S

(12) **United States Design Patent**
Starck

(10) **Patent No.:** **US D821,092 S**
(45) **Date of Patent:** **** Jun. 26, 2018**

- (54) **DUFFLE BAG**
- (71) Applicant: **Philippe Starck**, Cascais (PT)
- (72) Inventor: **Philippe Starck**, Cascais (PT)
- (**) Term: **15 Years**
- (21) Appl. No.: **29/547,147**
- (22) Filed: **Dec. 1, 2015**

Related U.S. Application Data

- (63) Continuation-in-part of application No. 29/511,668, filed on Dec. 12, 2014, now abandoned.

(30) **Foreign Application Priority Data**

Jun. 12, 2014 (WO) DM/83794

- (51) **LOC (11) Cl.** **03-01**

- (52) **U.S. Cl.**
USPC **D3/217**

(58) **Field of Classification Search**

USPC D3/217, 226, 232, 245, 273, 287, 299;
224/153, 601, 604, 625, 656, 580, 257;
190/100, 115; 383/4, 6-10
CPC A45F 3/04; A45F 3/02; A45F 3/14; A45C
3/02; A45C 13/262; A45C 9/00; A45C
13/103; A45C 13/385; B65D 33/10;
B65D 88/1681; B65D 33/065; B65D
33/14; B65D 33/08

See application file for complete search history.

(56) **References Cited**

U.S. PATENT DOCUMENTS

- 3,948,528 A * 4/1976 Goodman, Jr. A45C 3/06
273/286
- 3,976,113 A * 8/1976 Kim A45C 9/00
190/2
- D241,783 S * 10/1976 Sykes et al. D3/268

- D249,189 S 8/1978 Stewart D3/217
- D251,083 S * 2/1979 Rabinowitz D3/289
- 4,273,274 A * 6/1981 Freistadt A45F 3/04
150/108
- D300,883 S * 5/1989 Montandon D3/217
- 4,988,216 A * 1/1991 Lyman A45C 11/20
383/110
- D346,693 S * 5/1994 Saltzman D3/233
- 5,518,315 A * 5/1996 Nichols A45C 3/00
383/119
- D376,044 S * 12/1996 Trawick D3/283
- 5,653,337 A * 8/1997 Cirigliano A45C 3/00
206/373
- D396,144 S * 7/1998 Farmer D3/283
- 5,813,445 A * 9/1998 Christman A63F 3/06
150/106
- 5,819,998 A 10/1998 Chehebar 224/153
- D407,214 S 3/1999 Chapman D3/217
- D409,376 S 5/1999 Goienz et al. D3/217
- D413,724 S * 9/1999 Freedman D3/243
- D426,384 S * 6/2000 Brouard D3/276

(Continued)

Primary Examiner — John Windmuller

Assistant Examiner — Steven J Czyz

(74) *Attorney, Agent, or Firm* — Avery N. Goldstein;
Blue Filament Law, PLLC

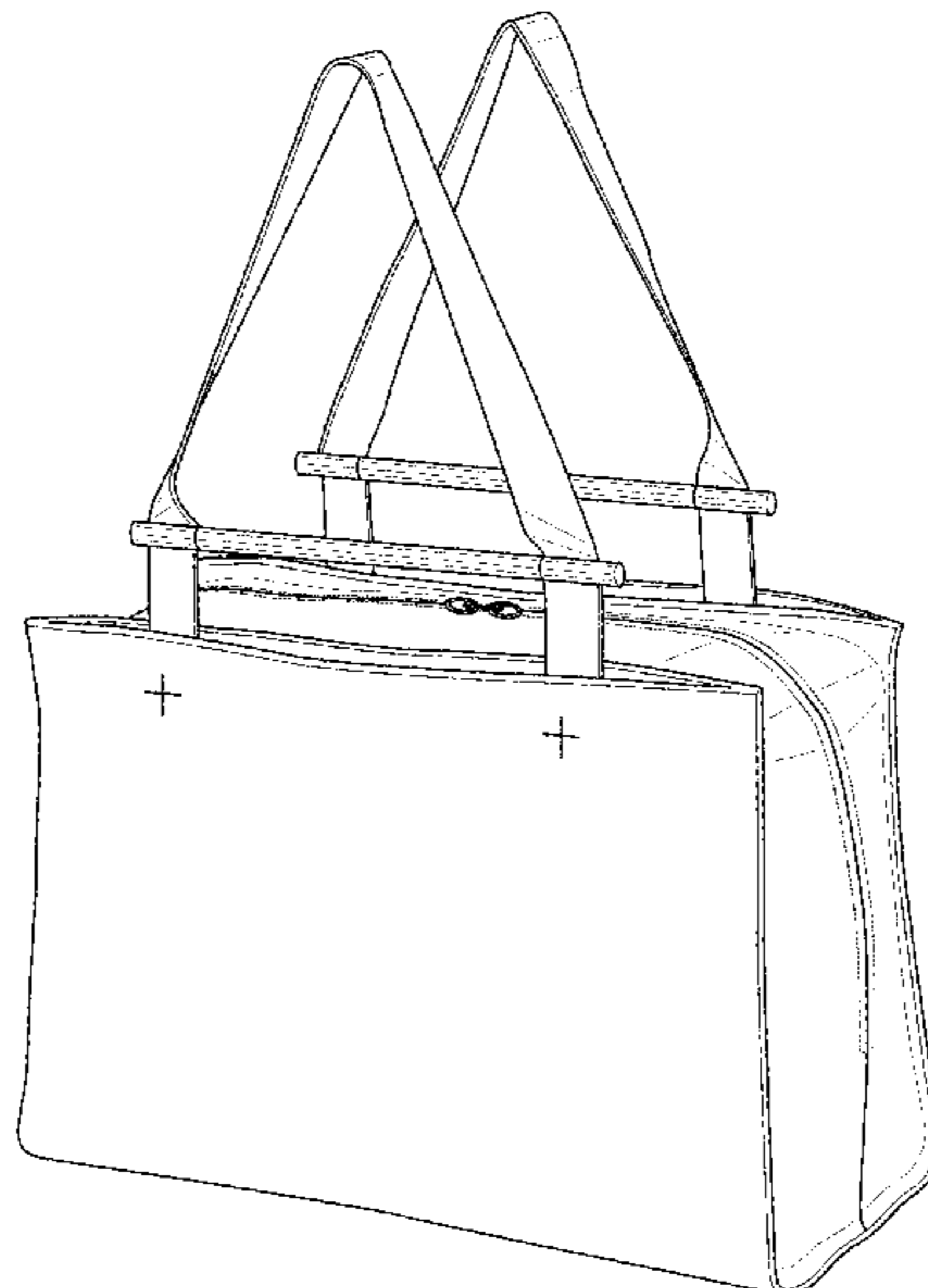
(57) **CLAIM**

The ornamental design for a duffle bag, as shown and described.

DESCRIPTION

FIG. 1 is a front perspective view of a duffle bag;
FIG. 2 is a side view of the duffle bag depicted in FIG. 1,
where an opposing side view is a mirror image of that
depicted in FIG. 2; and,
FIG. 3 is a top view of the duffle bag depicted in FIG. 1,
with the handles shown in an alternate state.
The broken lines depict portions of the article that form no
part of the claimed design.

1 Claim, 3 Drawing Sheets



(56)

References Cited

U.S. PATENT DOCUMENTS

D444,297 S * 7/2001 Starck D3/276
 D444,298 S * 7/2001 Starck D3/276
 D444,945 S * 7/2001 Starck D3/276
 D444,863 S 9/2001 Starck
 D448,928 S * 10/2001 Starck D3/246
 D458,018 S * 6/2002 Mentken D3/216
 D506,607 S 6/2005 Fonfeder D3/217
 D506,864 S 7/2005 Fonfeder D3/217
 D508,320 S * 8/2005 Holland D3/303
 D511,620 S 11/2005 Van Himbeeck D3/217
 D517,806 S * 3/2006 Charuwongkhachton D3/305
 D531,404 S * 11/2006 Marttila D3/246
 7,160,028 B1 * 1/2007 Linday A45C 9/00
 150/108
 D560,353 S 1/2008 Harvey D3/217
 D569,610 S * 5/2008 Wang D3/246
 D603,606 S * 11/2009 Wang D3/232
 D630,844 S * 1/2011 Wang D3/232
 D637,809 S * 5/2011 Meldeau D3/232
 D641,162 S * 7/2011 Houston D3/283
 D645,662 S * 9/2011 Perez D3/216
 D661,085 S 6/2012 Custer D3/217
 D701,041 S * 3/2014 Burnett D3/245
 D704,437 S * 5/2014 Di Meglio D3/244

D711,098 S * 8/2014 Rossignuolo D3/245
 D715,046 S * 10/2014 Stewart D3/232
 D720,131 S * 12/2014 Siegel D3/233
 D732,294 S * 6/2015 Hu D3/319
 D751,815 S * 3/2016 Pedrazzi D3/245
 D758,731 S * 6/2016 Noh D3/304
 D759,370 S * 6/2016 Godzich D3/216
 2005/0236450 A1 * 10/2005 Iannini A45F 3/15
 224/577
 2008/0173680 A1 7/2008 Gilham Callahan 224/153
 2008/0257896 A1 * 10/2008 Guy A45C 5/045
 220/592.2
 2009/0026240 A1 * 1/2009 Wang A45C 3/06
 224/575
 2010/0006613 A1 * 1/2010 Burns A45C 3/00
 224/575
 2011/0075953 A1 * 3/2011 Cook, Jr. A45C 3/04
 383/105
 2012/0248163 A1 10/2012 Biddle 224/275
 2013/0048691 A1 * 2/2013 Meyer A45C 13/1046
 224/579
 2015/0097000 A1 * 4/2015 Luebbers A45C 11/20
 222/105
 2015/0265015 A1 * 9/2015 Lee A45C 7/0077
 190/107

* cited by examiner

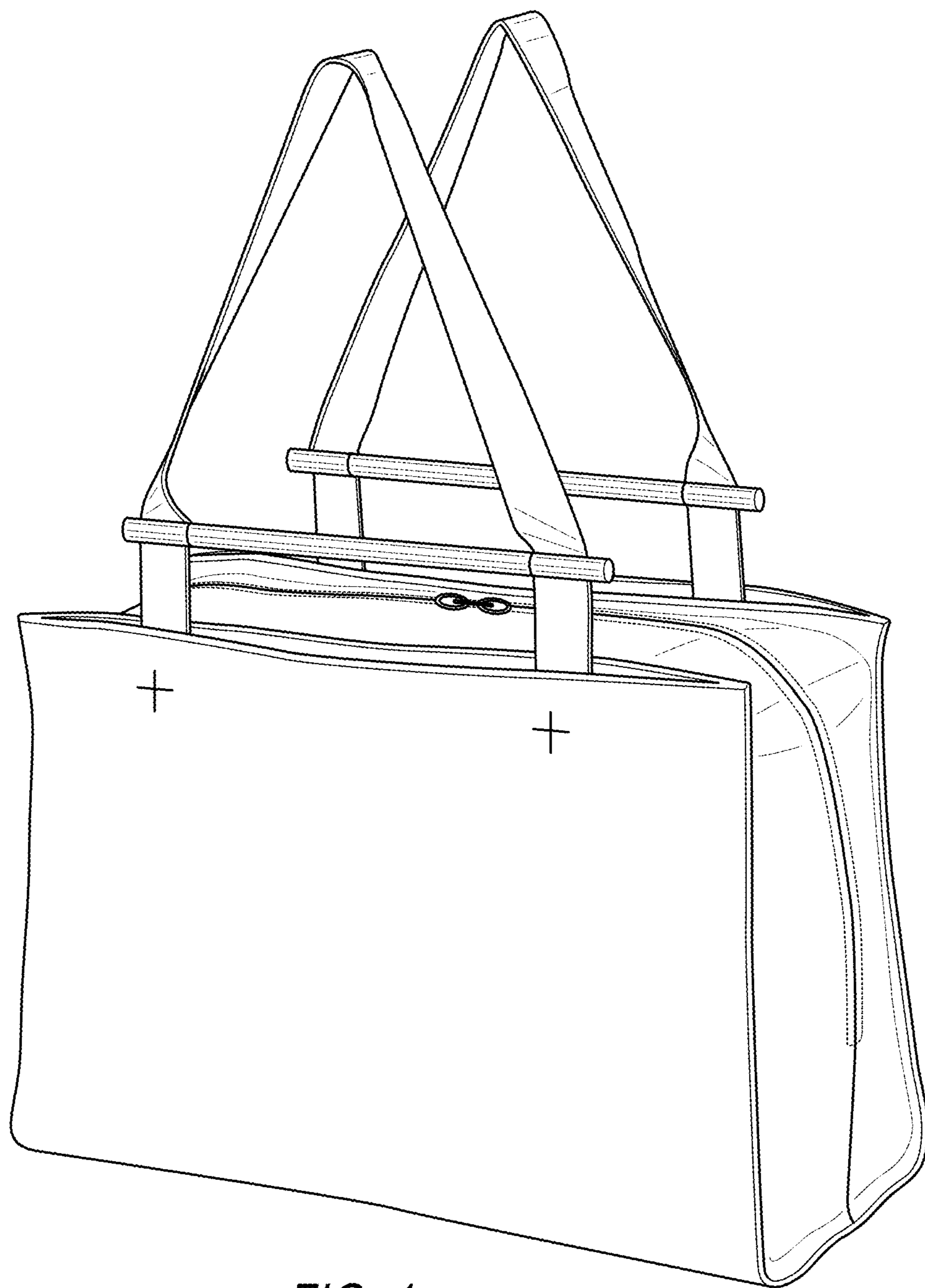


FIG. 1

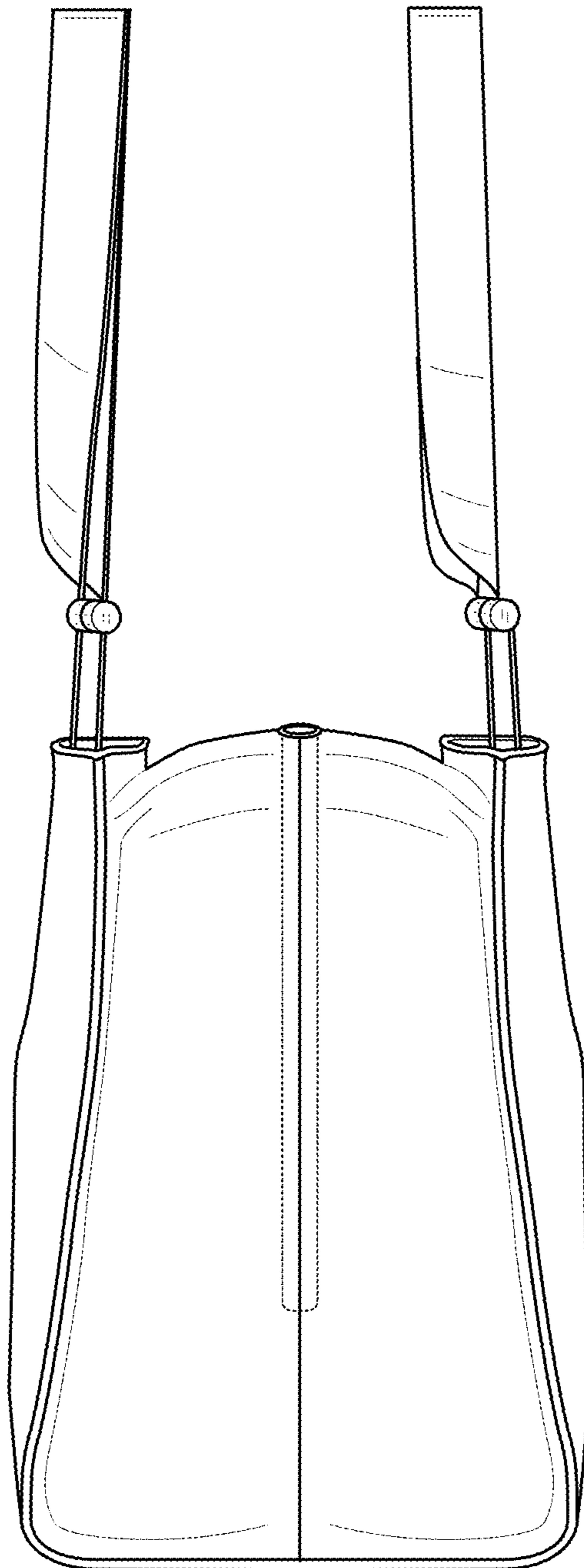


FIG. 2

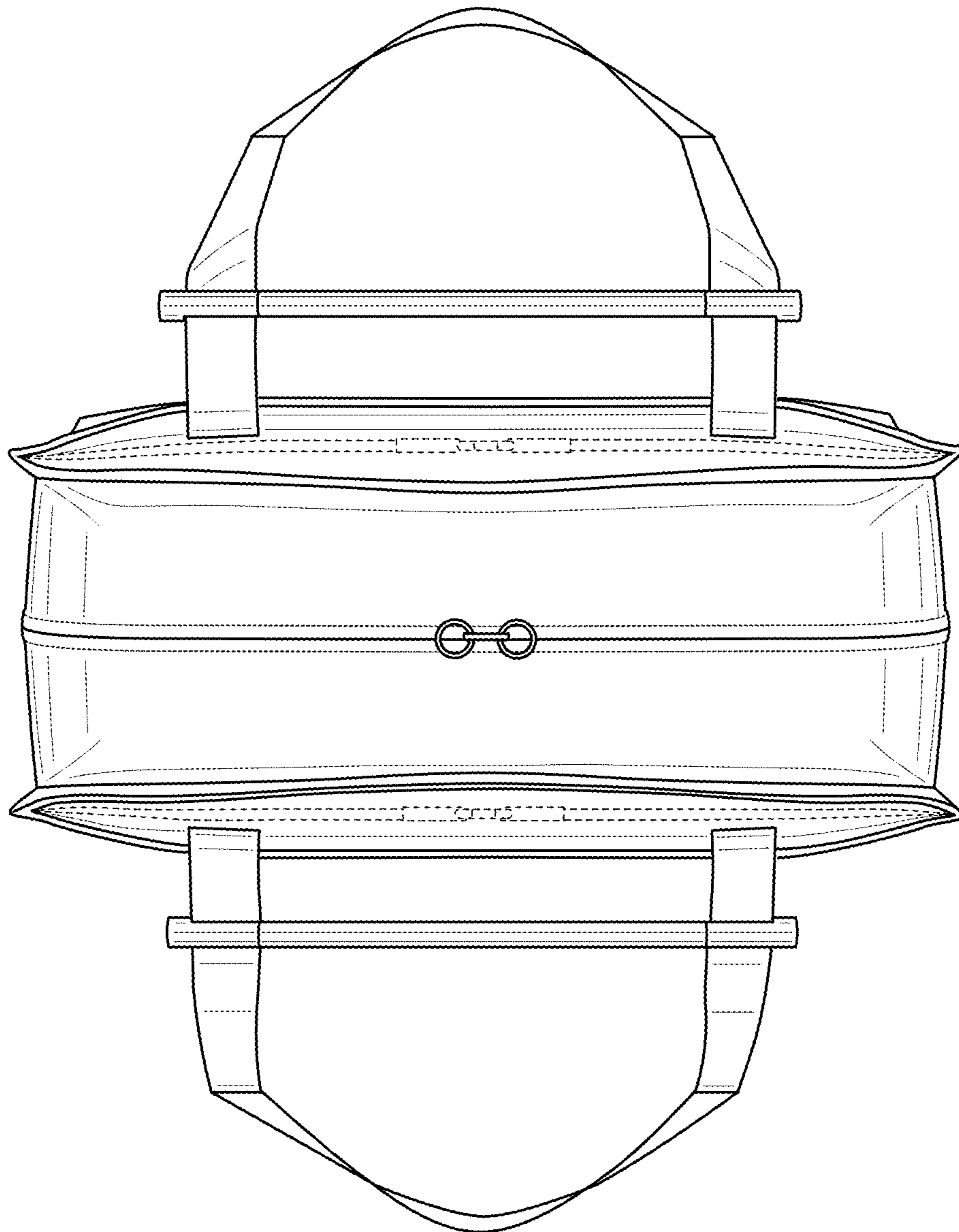


FIG. 3