



US00D821089S

(12) **United States Design Patent**  
**Tadano et al.**

(10) **Patent No.:** **US D821,089 S**  
(45) **Date of Patent:** **\*\* Jun. 26, 2018**

(54) **MUSICAL INSTRUMENT CARRIER**  
(71) Applicant: **YAMAHA CORPORATION**,  
Hamamatsu-shi (JP)  
(72) Inventors: **Yuichi Tadano**, Hamamatsu (JP);  
**Fumihiko Shigenaga**, Hamamatsu (JP)  
(73) Assignee: **YAMAHA CORPORATION**,  
Hamamatsu-shi, Shizuoka (JP)

5,220,704 A \* 6/1993 Flynn ..... A47L 9/00  
15/321  
D354,975 S \* 1/1995 Penn ..... 224/910  
5,464,137 A \* 11/1995 Shirdavani ..... A41F 9/002  
2/45  
D388,246 S \* 12/1997 Patterson ..... D3/204  
6,329,583 B1 \* 12/2001 May ..... G10G 5/005  
248/443  
D558,974 S \* 1/2008 Denzer ..... D3/215  
D714,540 S \* 10/2014 Barlet ..... D3/215  
(Continued)

(\*\*) Term: **15 Years**

**OTHER PUBLICATIONS**

(21) Appl. No.: **29/607,648**

Yamaha MSH-9500/9500S Harness type carrier, available Mar. 19, 2018, [online], [site visited Mar. 19, 2018]. Available from internet, <URL: [https://europe.yamaha.com/en/products/musical\\_instruments/marching/carriers/msh-9500\\_9500s/index.html](https://europe.yamaha.com/en/products/musical_instruments/marching/carriers/msh-9500_9500s/index.html) (Year: 2018).\*

(22) Filed: **Jun. 15, 2017**

(30) **Foreign Application Priority Data**

Dec. 16, 2016 (JP) ..... 2016-027286

(51) **LOC (11) Cl.** ..... **03-01**

(52) **U.S. Cl.**  
USPC ..... **D3/204**

(58) **Field of Classification Search**  
USPC ..... D3/204, 215; D17/22, 99; D34/28;  
224/265, 266, 910; 84/411 R, 418-421  
CPC ..... G10G 5/005; Y10S 224/91; G10D 13/00  
See application file for complete search history.

(Continued)

*Primary Examiner* — Cathron C Brooks  
*Assistant Examiner* — W. A. Teddy Falloway  
(74) *Attorney, Agent, or Firm* — Sughrue Mion, PLLC

(57) **CLAIM**

The ornamental design for a musical instrument carrier, as shown and described.

**DESCRIPTION**

(56) **References Cited**

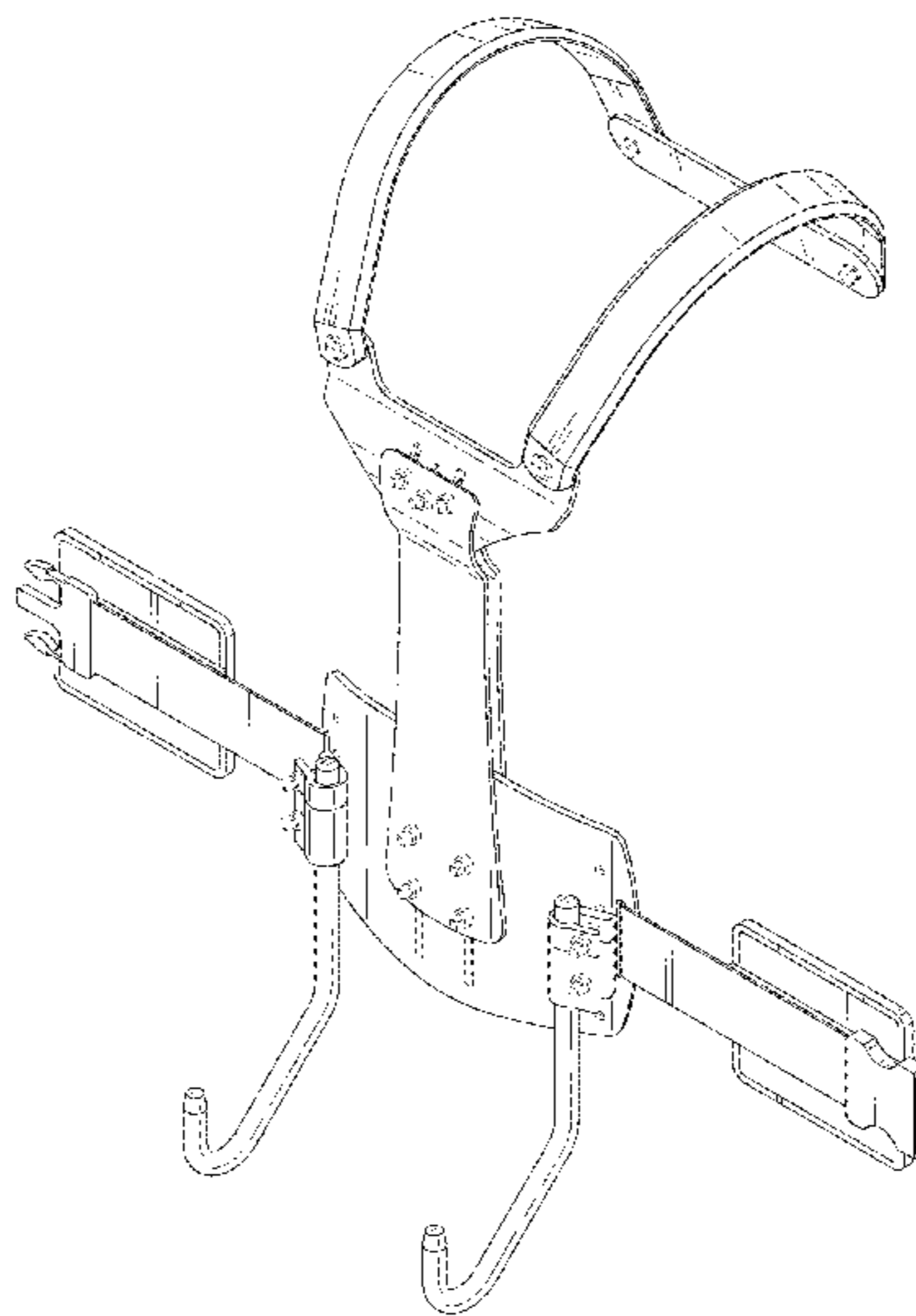
**U.S. PATENT DOCUMENTS**

3,774,825 A \* 11/1973 Schone ..... A45F 3/10  
224/262  
4,387,839 A \* 6/1983 Dranchak ..... G10G 5/005  
224/265  
4,453,442 A \* 6/1984 LaFlame ..... G10G 5/005  
224/910  
4,634,032 A \* 1/1987 LaFlame ..... G10G 5/005  
224/265  
4,799,610 A \* 1/1989 Hsieh ..... A45F 5/00  
224/201

FIG. 1 is a perspective view of the front, top and right side of a musical instrument carrier showing our new design; FIG. 2 is a front view thereof; FIG. 3 is a rear view thereof; FIG. 4 is a left side view thereof; FIG. 5 is a right side view thereof; FIG. 6 is a top plan view thereof; and, FIG. 7 is a bottom view thereof.

The broken lines shown illustrate portions of the musical instrument carrier and form no part of the claimed design.

**1 Claim, 5 Drawing Sheets**



(56)

References Cited

U.S. PATENT DOCUMENTS

2002/0125278 A1\* 9/2002 Wagmild ..... A45F 5/00  
224/268  
2005/0183565 A1\* 8/2005 May ..... G10D 13/00  
84/421  
2006/0186151 A1\* 8/2006 May ..... A45F 3/10  
224/265  
2007/0095193 A1\* 5/2007 May ..... G10G 5/005  
84/421  
2008/0202316 A1\* 8/2008 Hsieh ..... G10G 5/005  
84/421  
2008/0264236 A1\* 10/2008 Miyajima ..... G10G 5/005  
84/421  
2009/0165630 A1\* 7/2009 Hallerberg ..... G10G 5/005  
84/421  
2011/0030530 A1\* 2/2011 Schafer ..... G10G 5/005  
84/421  
2012/0255422 A1\* 10/2012 May ..... G10G 5/005  
84/421  
2016/0225355 A1\* 8/2016 Shigenaga ..... G10G 5/005  
2017/0092244 A1\* 3/2017 Shigenaga ..... A45F 3/10

OTHER PUBLICATIONS

Sound Percussion Labs Snare Drum with Carrier, available Jun. 21, 2016, [online], [site visited Mar. 19, 2018]. Available from internet, <URL: [http://www.musiciansfriend.com/marching-band/sound-percussion-labs-high-tension-marching-snare-drum-with-carrier/j1494400002001?pfm=item\\_page\\_rr11ClickEV](http://www.musiciansfriend.com/marching-band/sound-percussion-labs-high-tension-marching-snare-drum-with-carrier/j1494400002001?pfm=item_page_rr11ClickEV) (Year: 2016).\*

Pearl CX Air Frame Bass Drum Carrier, available Aug. 30, 2011, [online], [site visited Mar. 19, 2018]. Available from internet, <URL: <https://www.steveweissmusic.com/product/pearl-cx-air-frame-bass-drum-carrier/marching-bass-drum-carriers> (Year: 2011).\*

Ludwig M-478 Marching Marimba Carrier, available Aug. 14, 2014, [online], [site visited Mar. 19, 2018]. Available from internet, <URL: <https://www.amazon.co.uk/Ludwig-M-478-Marching-Marimba-Carrier/dp/B0002IJDVW> (Year: 2014).\*

\* cited by examiner

Fig. 1

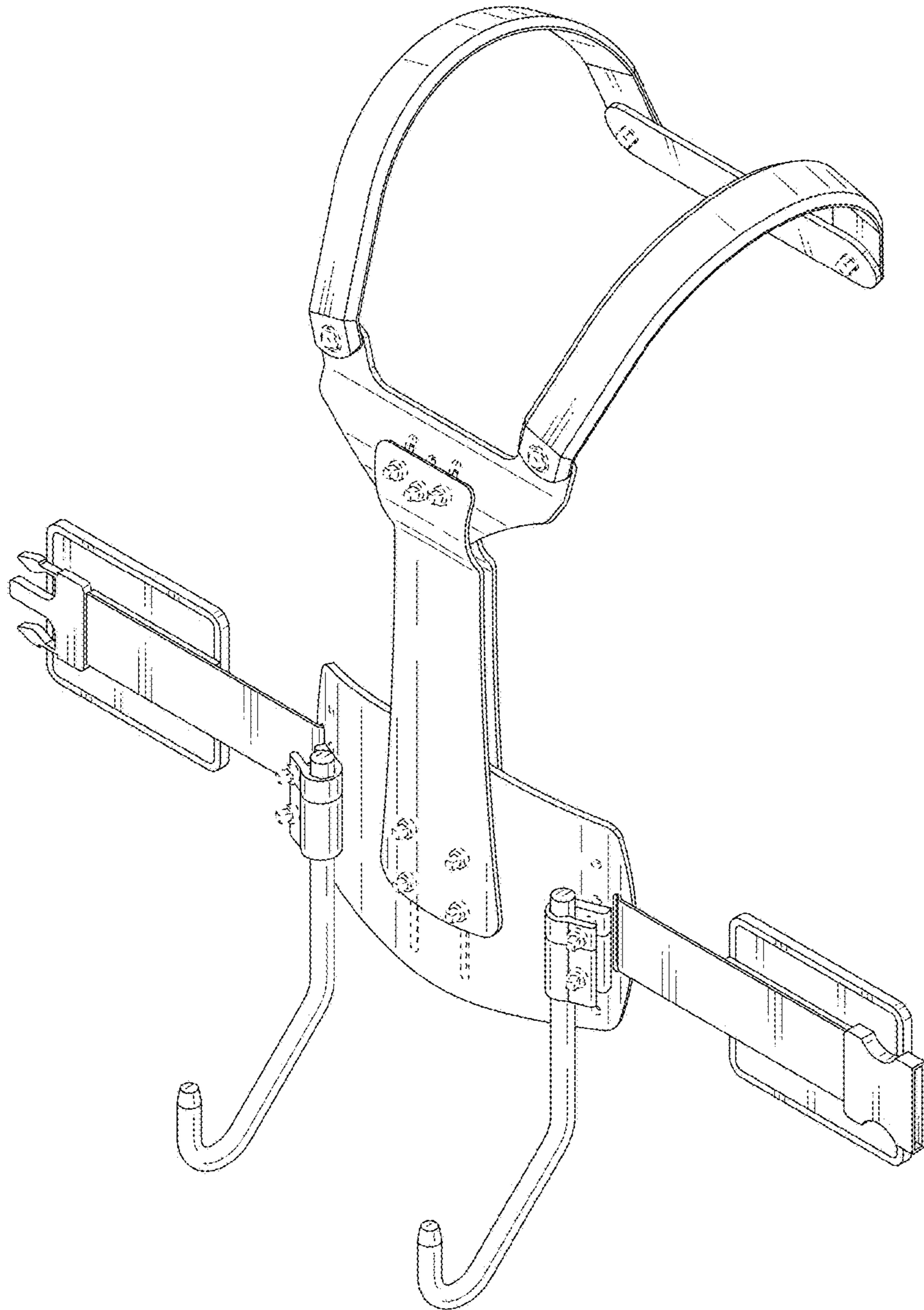


Fig. 2

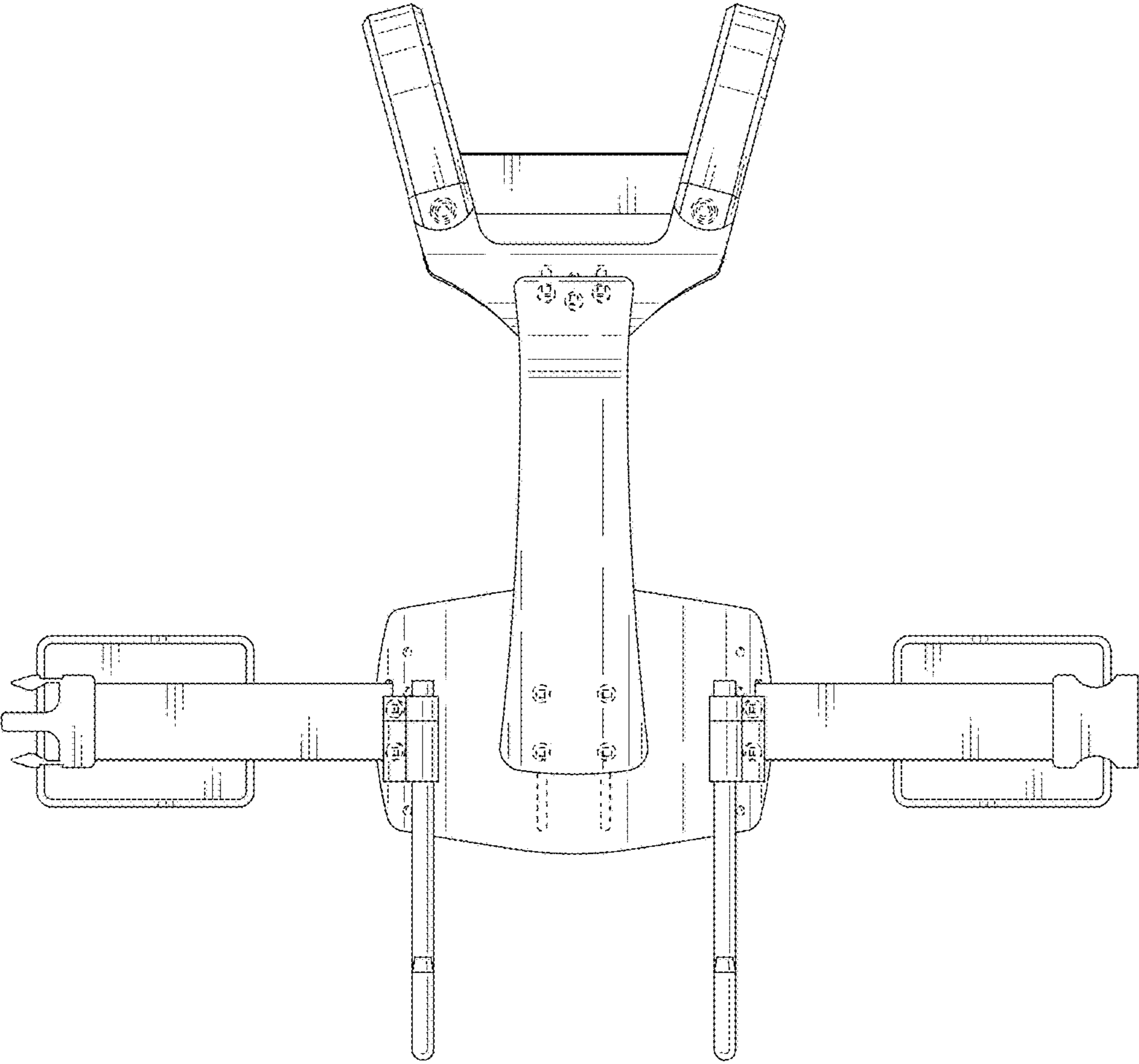


Fig. 3

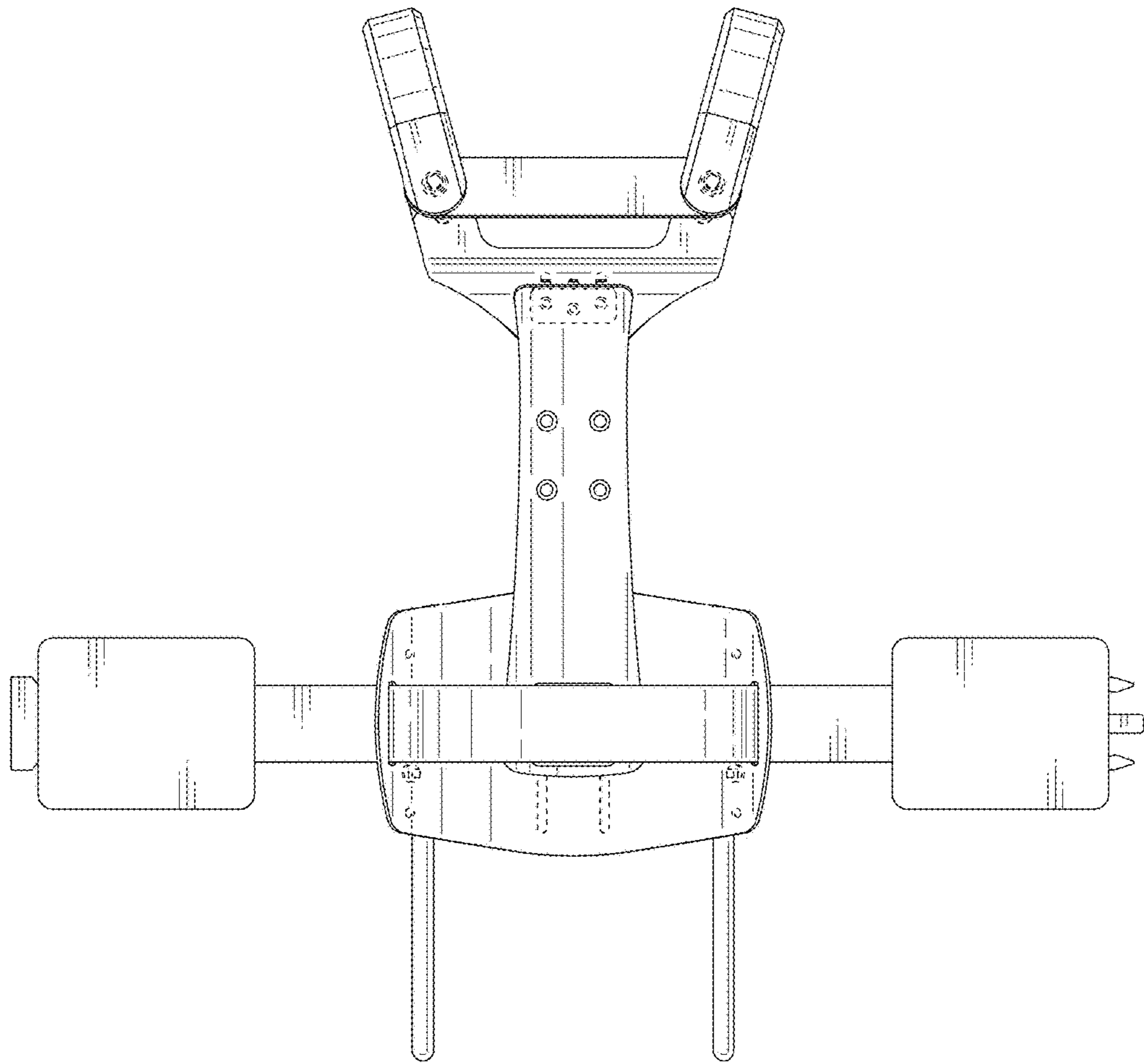


Fig. 4

Fig. 5

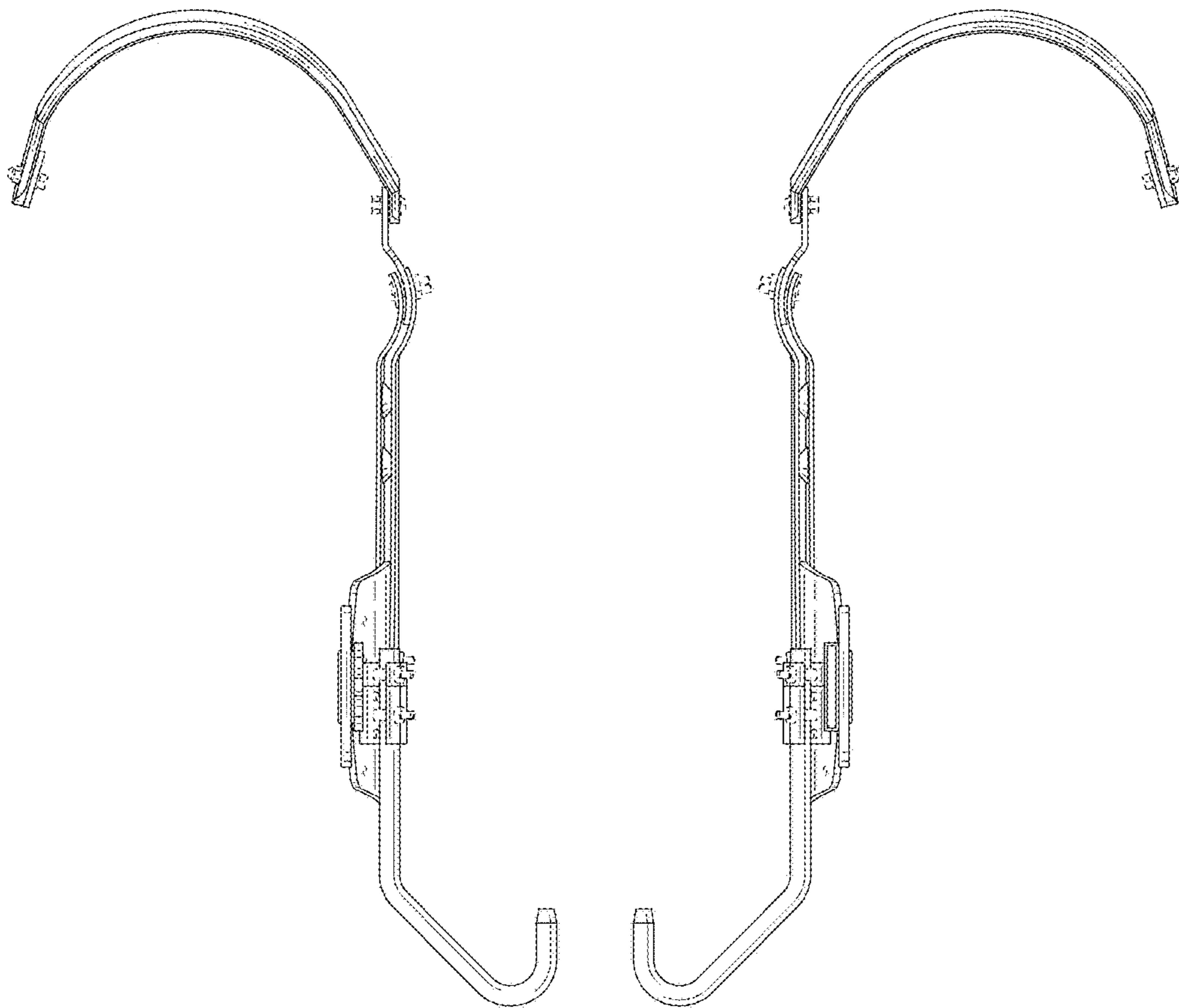


Fig. 6

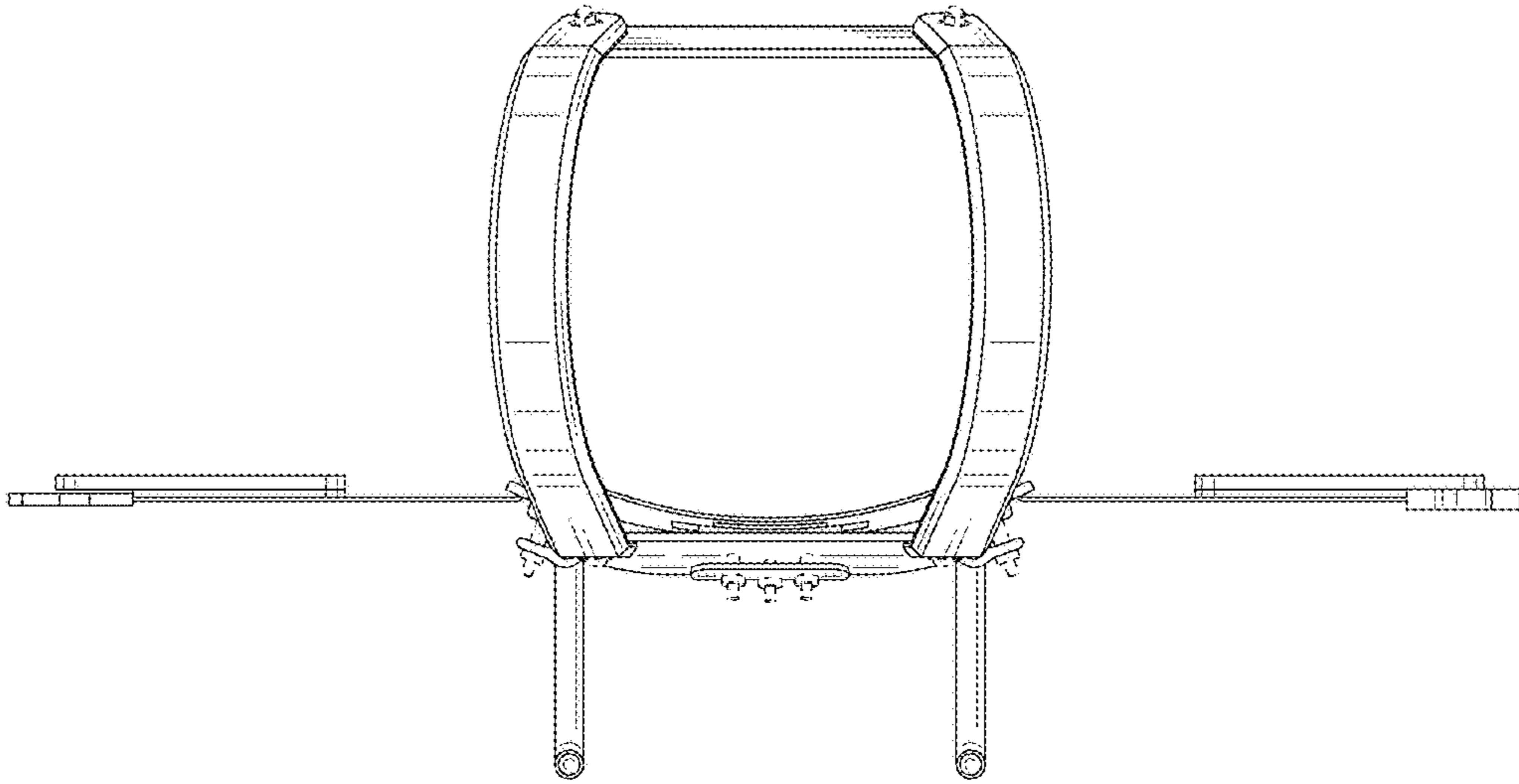


Fig. 7

