



US00D821086S

(12) **United States Design Patent**
Iwasaki

(10) **Patent No.:** **US D821,086 S**
(45) **Date of Patent:** **** Jun. 26, 2018**

(54) **SEWING ASSIST CLIP**
(71) Applicant: **CLOVER MFG. CO., LTD.**,
Osaka-shi, Osaka (JP)
(72) Inventor: **Chihiro Iwasaki**, Osaka (JP)
(73) Assignee: **CLOVER MFG. CO., LTD.**, Osaka
(JP)
(**) Term: **15 Years**
(21) Appl. No.: **29/583,285**
(22) Filed: **Nov. 3, 2016**

D331,761 S * 12/1992 Hollinger D15/69
D347,641 S * 6/1994 Hsu D15/69
5,318,292 A * 6/1994 De Marco A44B 99/00
24/3.11
D350,892 S * 9/1994 Sorensen D8/395
D392,293 S * 3/1998 Tsay D15/69
D447,048 S * 8/2001 Beloff D8/395
D450,571 S * 11/2001 Chen D8/395
6,754,937 B1 * 6/2004 Martin B42F 1/006
24/351
D552,978 S * 10/2007 Liao D8/395
D571,179 S * 6/2008 Ahlgren D8/395
D598,278 S * 8/2009 Herman D8/395
D599,651 S * 9/2009 Riggsbee D8/395
8,201,310 B1 * 6/2012 Abdi A47G 25/48
24/499

(Continued)

(30) **Foreign Application Priority Data**

May 19, 2016 (JP) 2016-010693

(51) **LOC (11) Cl.** **03-99**

(52) **U.S. Cl.**
USPC **D3/26**

(58) **Field of Classification Search**
USPC D15/66-78; D8/71-74, 394-399;
D24/143; D3/18-26
CPC D05B 35/02; D05B 35/062; D05B 35/066;
D05B 91/06; A47G 25/48; A47G 25/485;
B25B 5/02; B25B 5/04; D06F 53/02
See application file for complete search history.

(56) **References Cited**

U.S. PATENT DOCUMENTS

1,810,304 A * 6/1931 Tangen D06F 55/00
24/544
2,409,379 A * 10/1946 Mosaly D06F 55/02
24/501
D222,454 S * 10/1971 Beeber D24/187
4,063,333 A * 12/1977 Schweitzer D06F 55/02
24/501
4,145,793 A * 3/1979 Berlet D06F 55/02
24/501
4,175,306 A * 11/1979 Bigelow A47G 25/485
24/507
D278,912 S * 5/1985 Laude D15/69

Primary Examiner — Mitchell I. Siegel

(74) *Attorney, Agent, or Firm* — Hamre, Schumann,
Mueller & Larson, P.C.

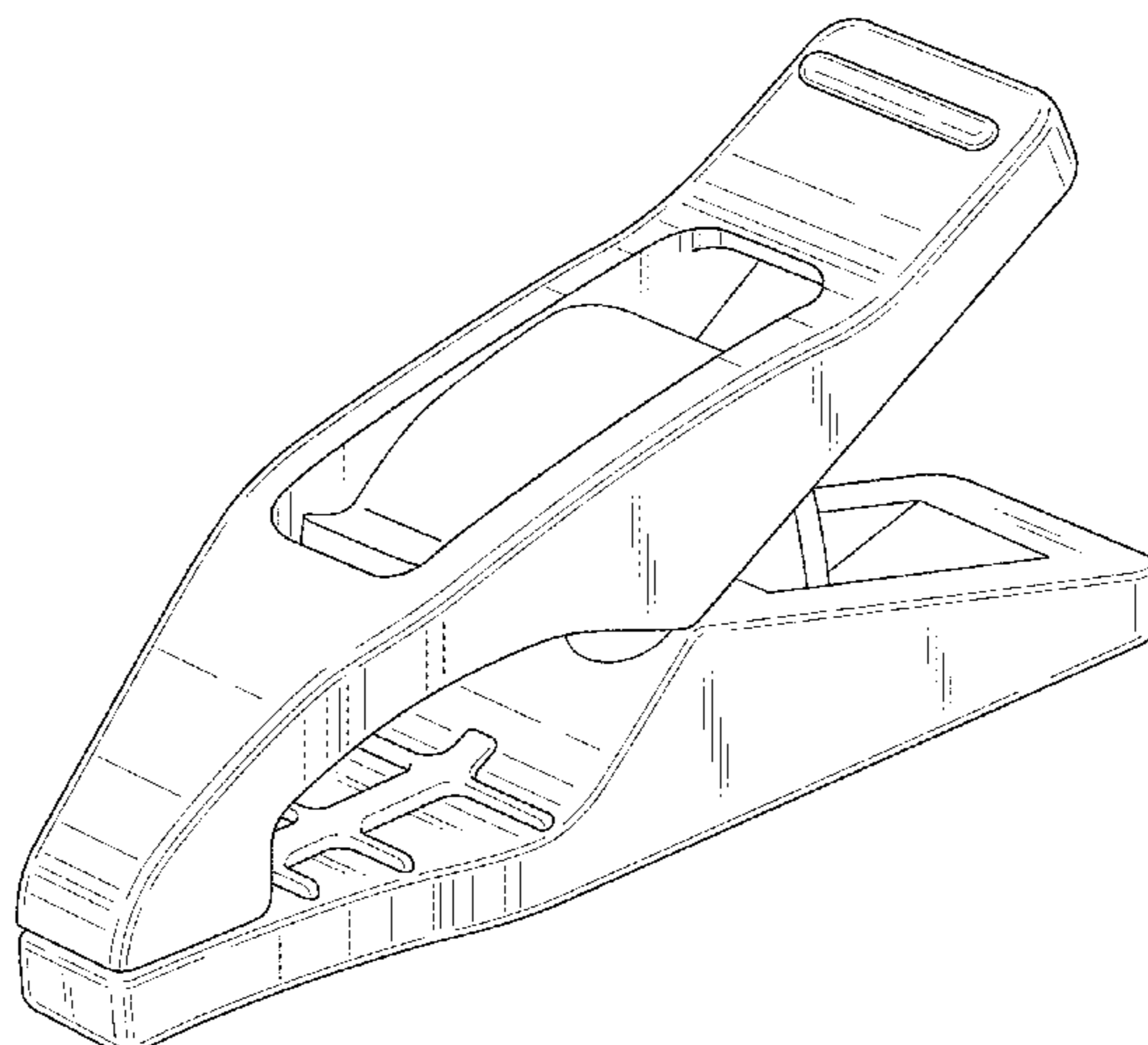
(57) **CLAIM**

I claim the ornamental design for a sewing assist clip, as shown and described.

DESCRIPTION

FIG. 1 is a perspective view of a sewing assist clip according to my design;
FIG. 2 is a front view of the same;
FIG. 3 is a rear view of the same;
FIG. 4 is a top plan view of the same;
FIG. 5 is a bottom view of the same;
FIG. 6 is a left side view of the same;
FIG. 7 is a right side view of the same;
FIG. 8 is an enlarged cross sectional view of the same taken along line 8-8,9 from the left end up to the position of line 8,9 in FIG. 4; and,
FIG. 9 is an enlarged cross sectional view of the same taken along line 9-8,9 from the left end up to the position of line 8,9 in FIG. 4.

1 Claim, 7 Drawing Sheets



(56)

References Cited

U.S. PATENT DOCUMENTS

D665,246 S * 8/2012 Laguelle D8/395
D670,998 S * 11/2012 Lavoie D8/395
8,348,251 B2 * 1/2013 Gallo D05B 35/02
24/507
D682,080 S * 5/2013 Borovicka D8/395
D697,779 S * 1/2014 Iwasaki D8/72

* cited by examiner

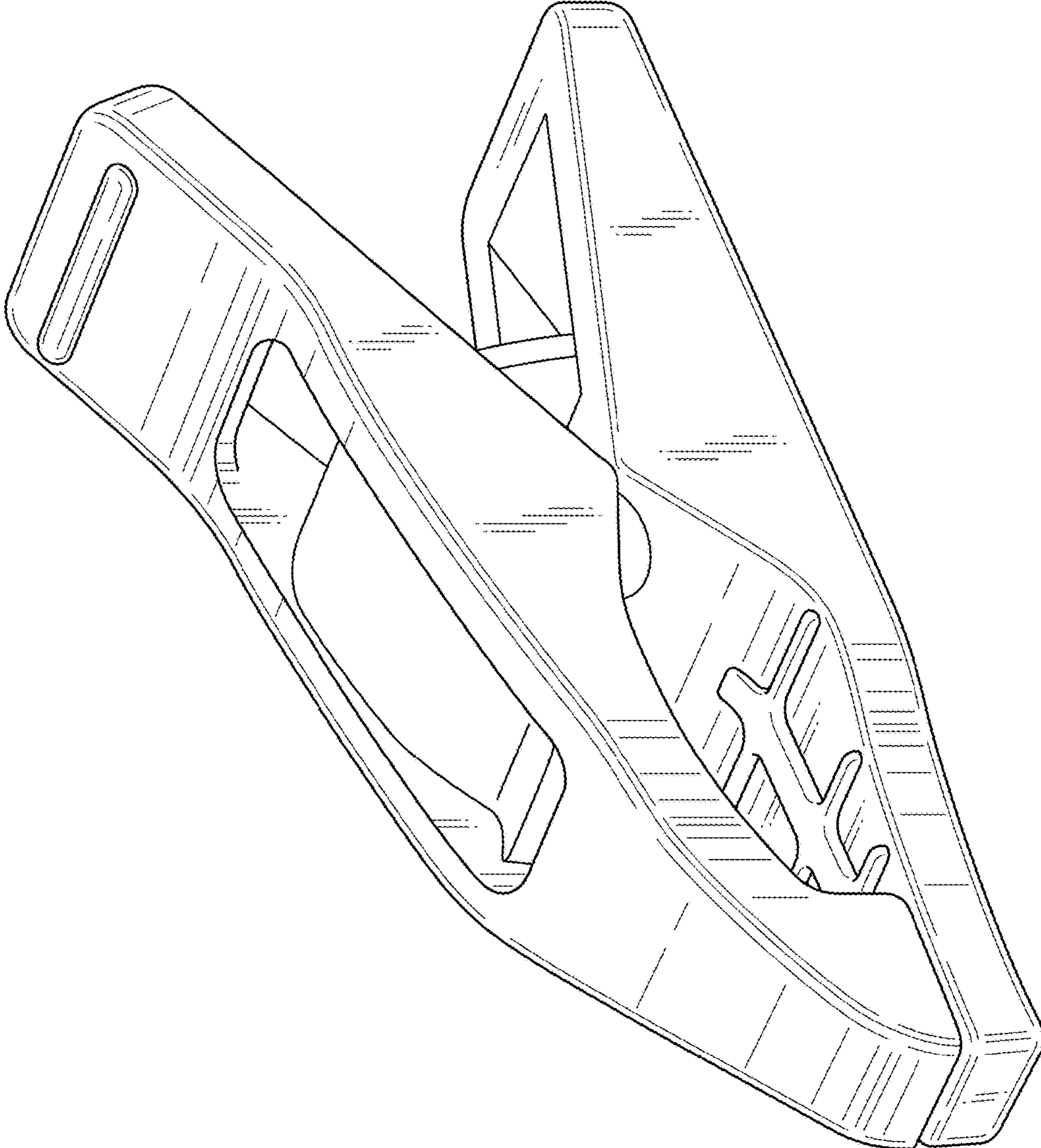


Fig. 1

Fig. 2

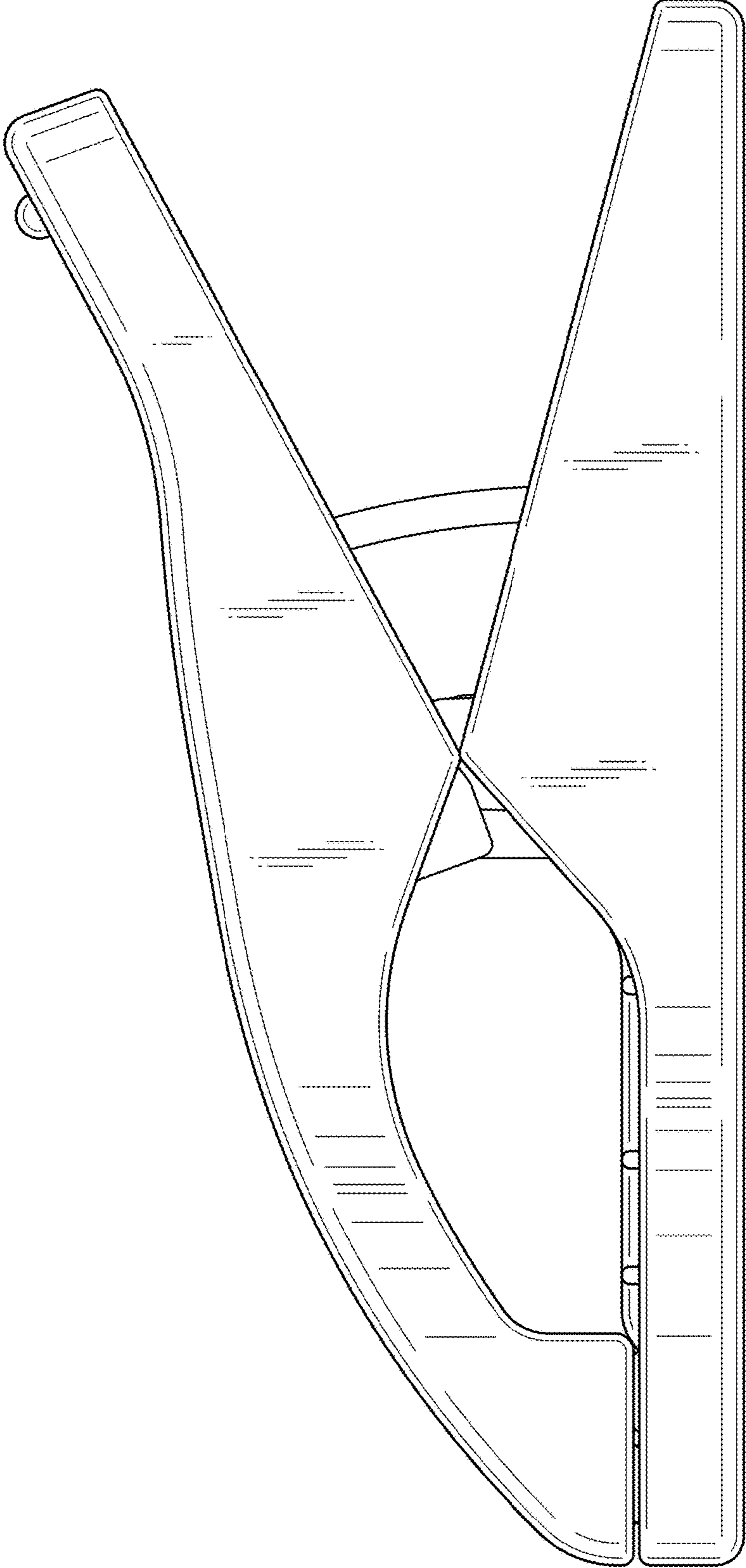


Fig. 3

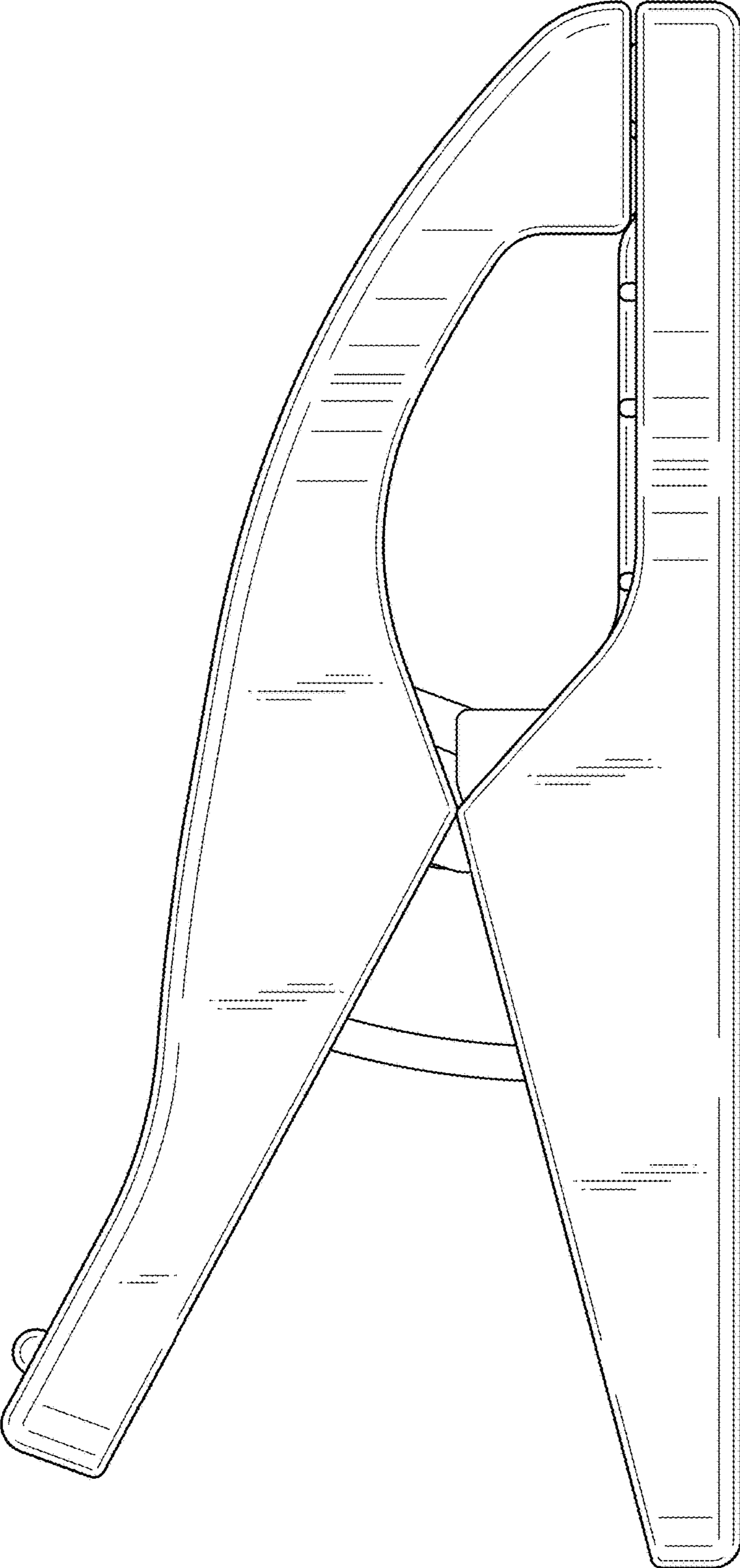


Fig. 4

8,9

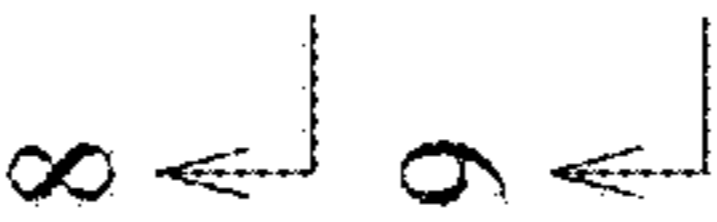
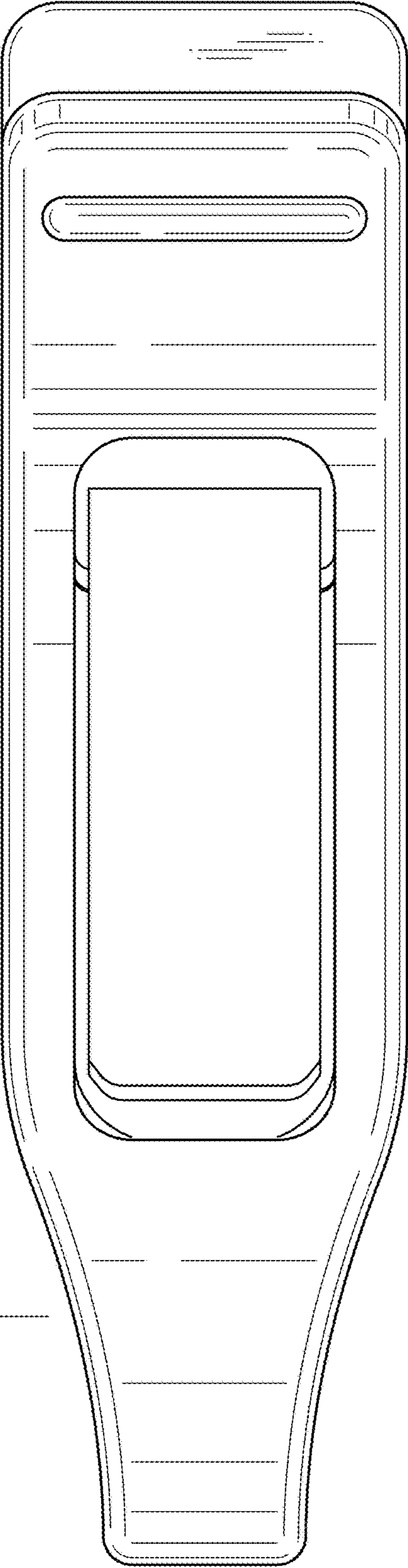


Fig. 5

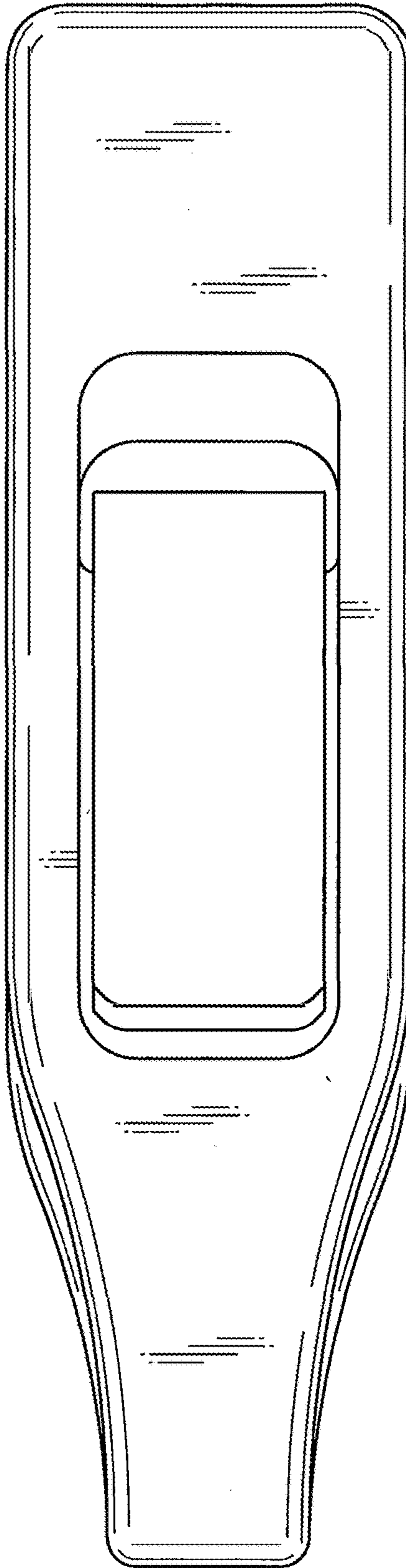


Fig. 7

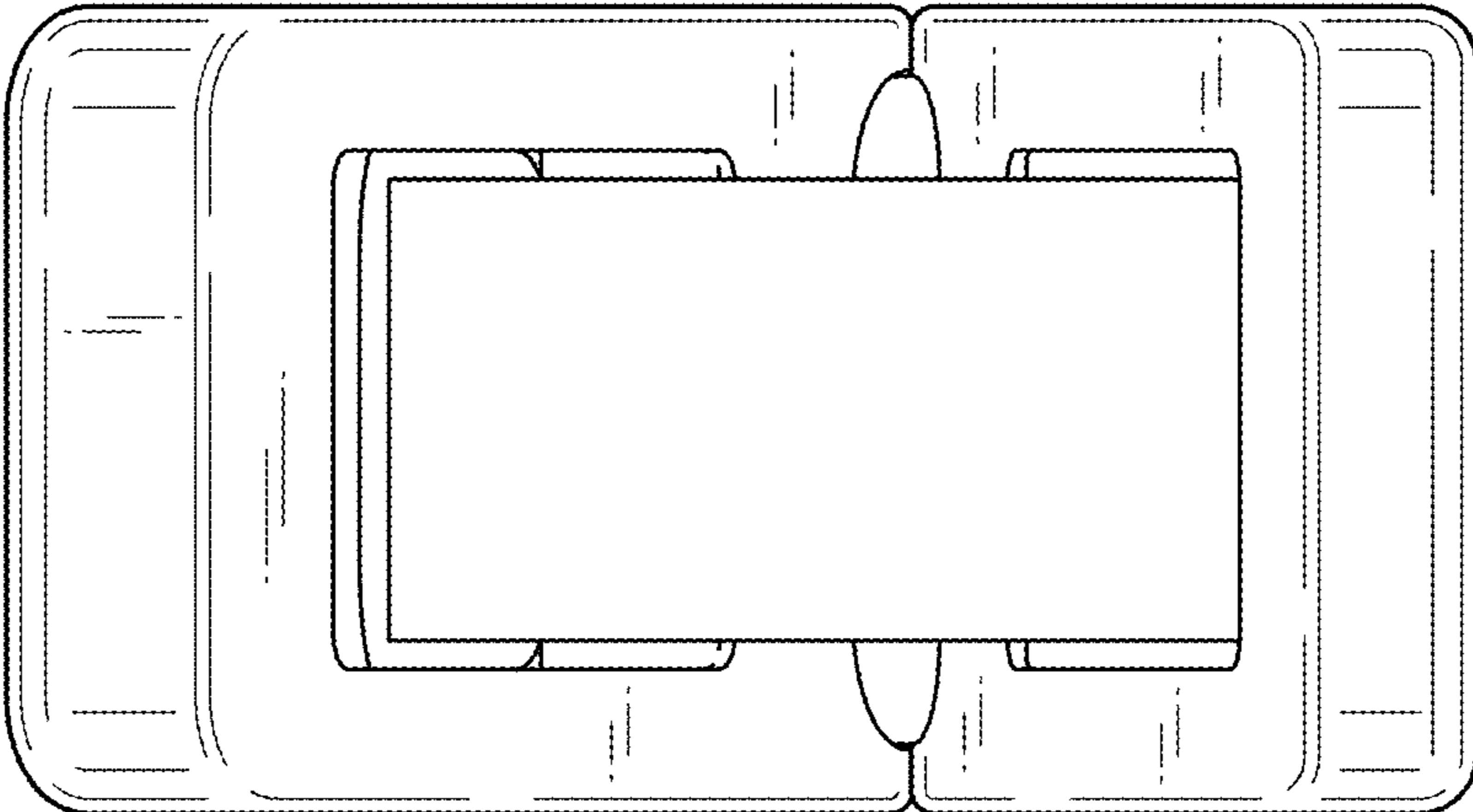


Fig. 6

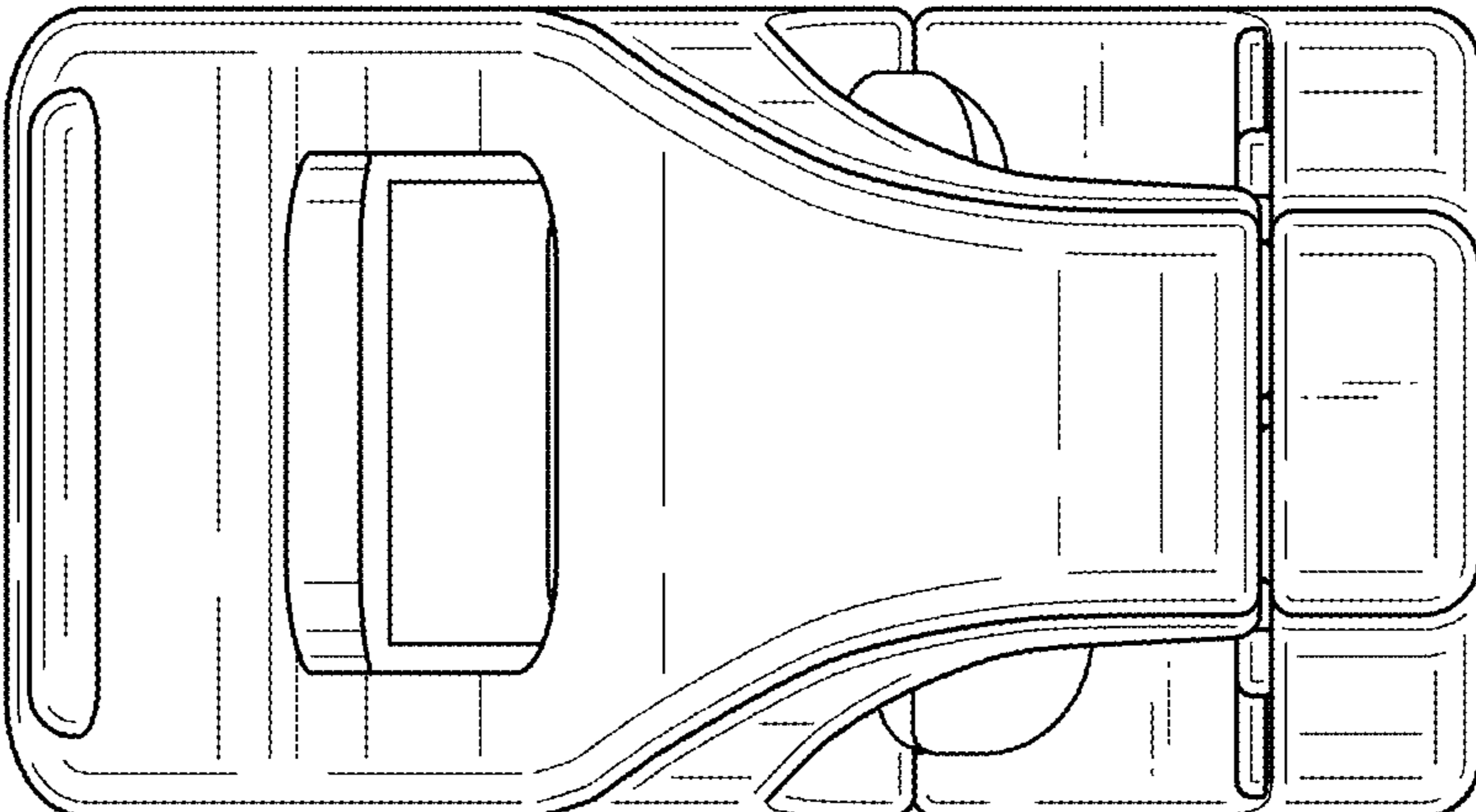


Fig. 9

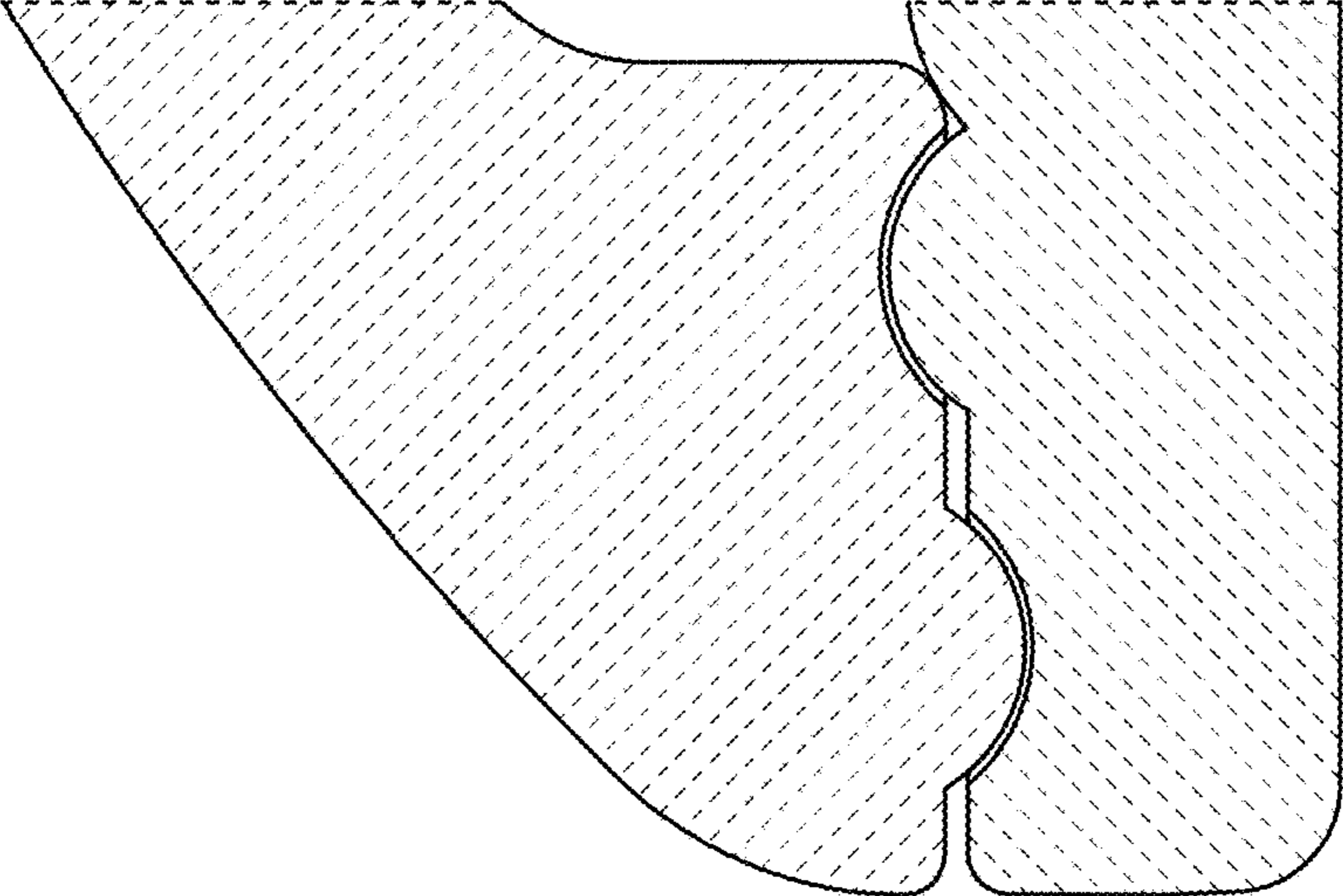


Fig. 8

