



US00D821085S

(12) **United States Design Patent** (10) **Patent No.:** **US D821,085 S**
Ritter (45) **Date of Patent:** **** Jun. 26, 2018**

(54) **SINGLE TUBE CRUTCH**
(71) Applicant: **Medline Industries, Inc**, Mundelein, IL (US)
(72) Inventor: **Joseph Ritter**, Arlington Heights, IL (US)
(73) Assignee: **Medline Industries, Inc.**, Northfield, IL (US)

5,139,040 A 8/1992 Kelly
5,193,567 A * 3/1993 Razny, Jr. A61H 3/02
135/68
5,482,070 A 1/1996 Kelly
(Continued)

FOREIGN PATENT DOCUMENTS

CN 202161528 3/2012
CN 203121297 8/2013
KR 2004085849 10/2004

(**) Term: **15 Years**
(21) Appl. No.: **29/571,624**
(22) Filed: **Jul. 20, 2016**

OTHER PUBLICATIONS

“Medline Catalog”, Universal Single Tube Crutch; Medline Catalog; Unknown Publication Date but believed to be prior to filing or present application.

(Continued)

(51) **LOC (11) Cl.** **03-03**
(52) **U.S. Cl.**
USPC **D3/8**
(58) **Field of Classification Search**
USPC D2/896, 902; D3/5, 7, 8, 10, 11, 13, 14,
D3/15, 16, 17, 18, 28; D10/71; D14/416
CPC A45D 42/00; A45D 42/18; A61B 1/24;
D04B 3/02; G05G 9/04788
See application file for complete search history.

Primary Examiner — John Windmuller
Assistant Examiner — Benjamin M Weeks
(74) *Attorney, Agent, or Firm* — Philip H. Burrus, IV

(57) **CLAIM**

The ornamental design for a single tube crutch, as shown and described.

DESCRIPTION

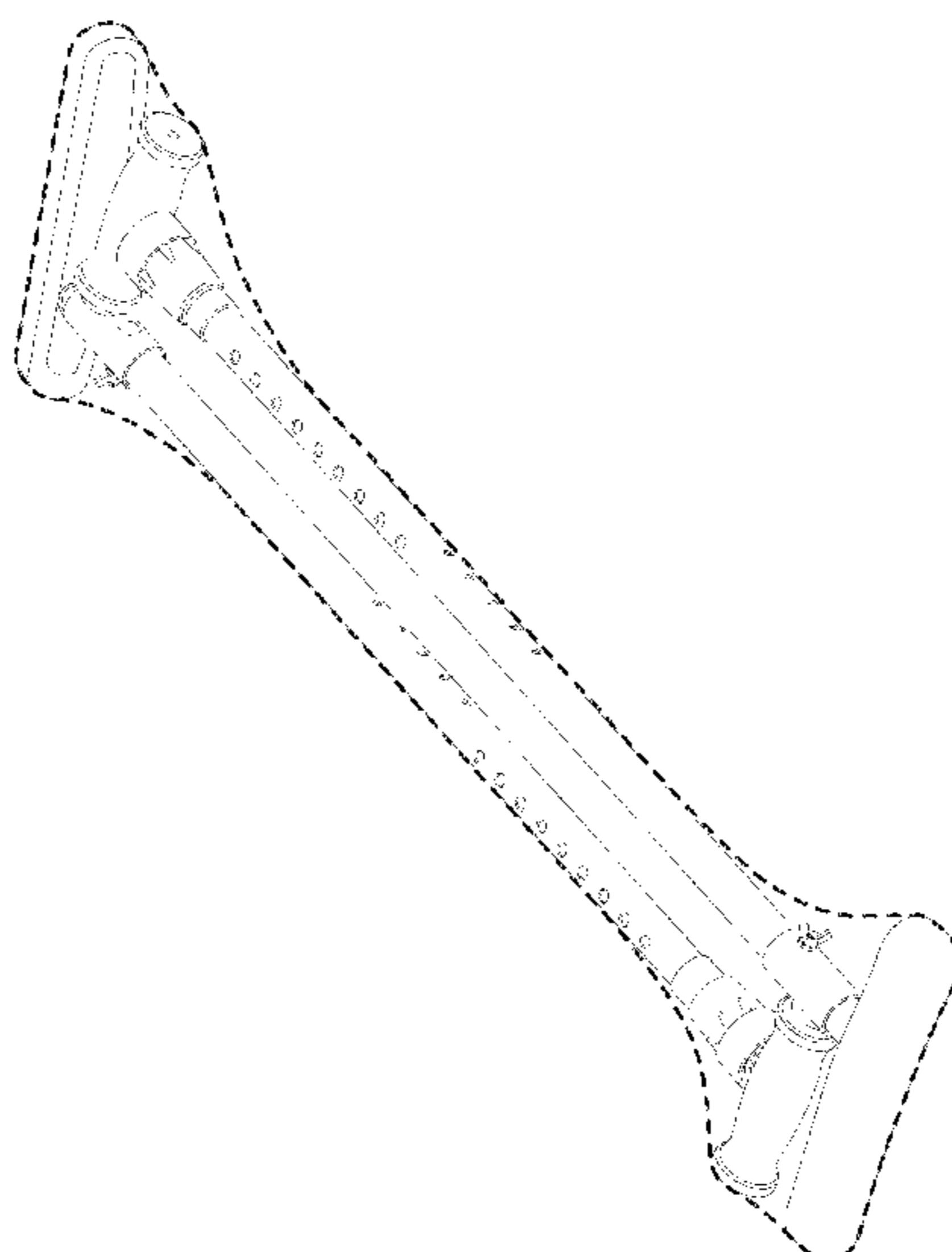
FIG. 1 is a first perspective view of a single tube crutch in a packaged configuration showing our new design; FIG. 2 is a second perspective view of the packaged configuration; FIG. 3 is a first perspective view of the single tube crutch; FIG. 4 is a second perspective view thereof; FIG. 5 is a right elevation view thereof; FIG. 6 is a left elevation view thereof; FIG. 7 is a rear elevation view thereof; FIG. 8 is a front elevation view thereof; FIG. 9 is a top plan view thereof; and, FIG. 10 is a bottom plan view thereof. The broken lines represent environment that forms no part of the claimed design.

(56) **References Cited**

U.S. PATENT DOCUMENTS

1,400,394 A 12/1921 Warry
2,568,654 A * 9/1951 Neptune A61H 3/02
135/68
2,590,607 A 3/1952 Grimball
3,338,387 A 8/1967 Ferry
3,710,807 A 1/1973 Ferry
4,385,697 A 5/1983 Urban et al.
4,787,405 A * 11/1988 Karwoski A45B 3/00
135/65
4,809,725 A 3/1989 Champigny
4,846,203 A 7/1989 Tappel
4,917,126 A 4/1990 Ellmore

1 Claim, 5 Drawing Sheets



(56)

References Cited

U.S. PATENT DOCUMENTS

5,673,719	A	10/1997	Shofner	
6,085,766	A	7/2000	Geary	
D540,534	S *	4/2007	Chan	D3/7
D552,245	S *	10/2007	Davis	D24/188
7,610,926	B2 *	11/2009	Adams	A45B 1/00 135/71
7,735,500	B2	6/2010	Jacobs et al.	
D624,303	S *	9/2010	Jones	D3/7
D679,492	S *	4/2013	Pethoud	D3/7
D690,927	S *	10/2013	Jones	D3/7
D693,565	S *	11/2013	Chan	D3/7
8,720,458	B2 *	5/2014	Dickerson, II	A61H 3/02 135/68
D761,549	S *	7/2016	Pepper	D3/7
9,561,150	B2	2/2017	Dickerson, II	
D789,073	S *	6/2017	Wu	D3/9
2004/0011393	A1	1/2004	Whitworth	
2006/0289046	A1	12/2006	Cato	
2010/0024857	A1	2/2010	Larson et al.	

OTHER PUBLICATIONS

Winnie, Yip, "NonFinal OA", U.S. Appl. No. 15/214,834, filed Jul. 20, 2016; dated Mar. 8, 2017.

Winnie, Yip, "Final OA", U.S. Appl. No. 15/214,834, filed Jul. 20, 2016; dated Sep. 1, 2017.

* cited by examiner

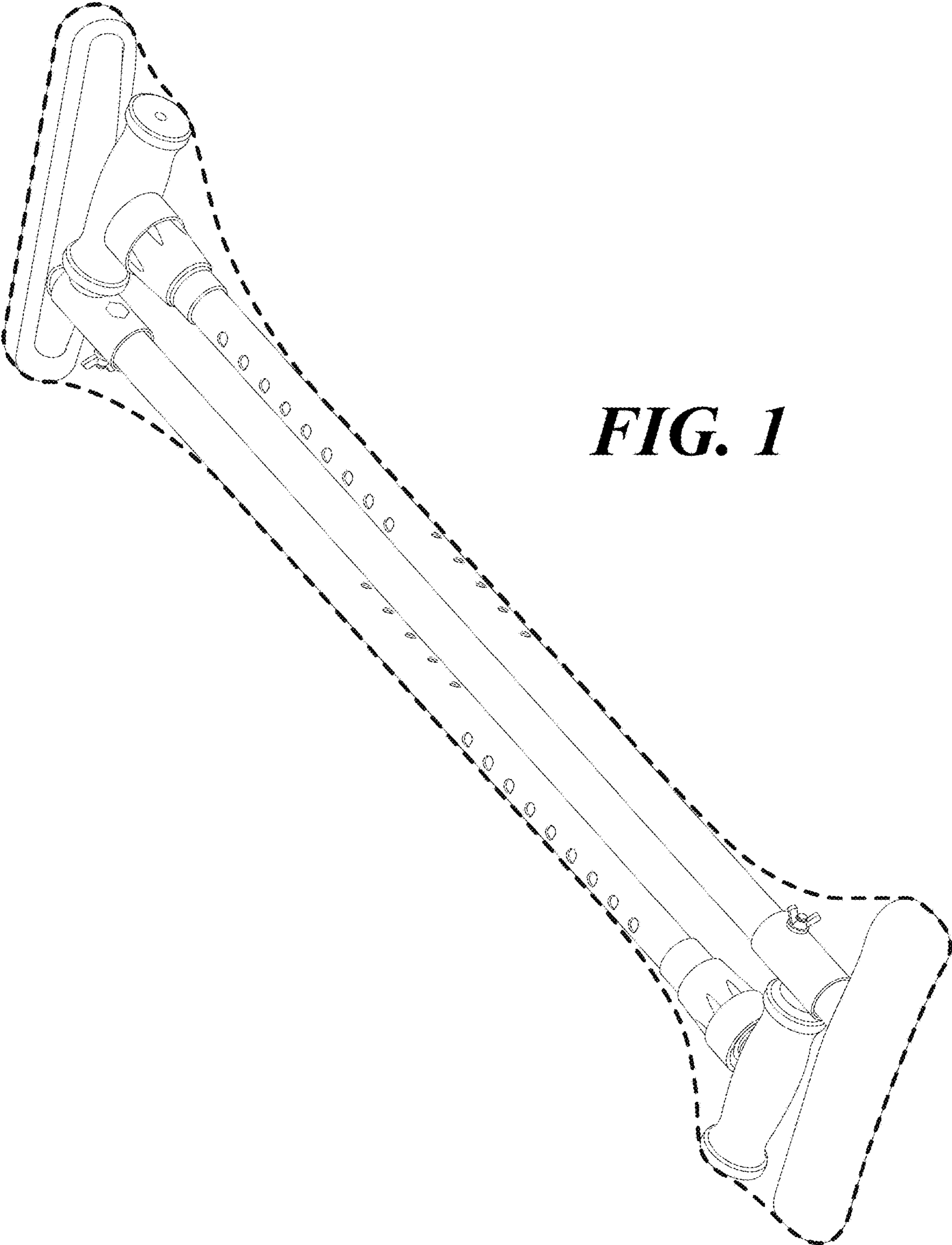


FIG. 1

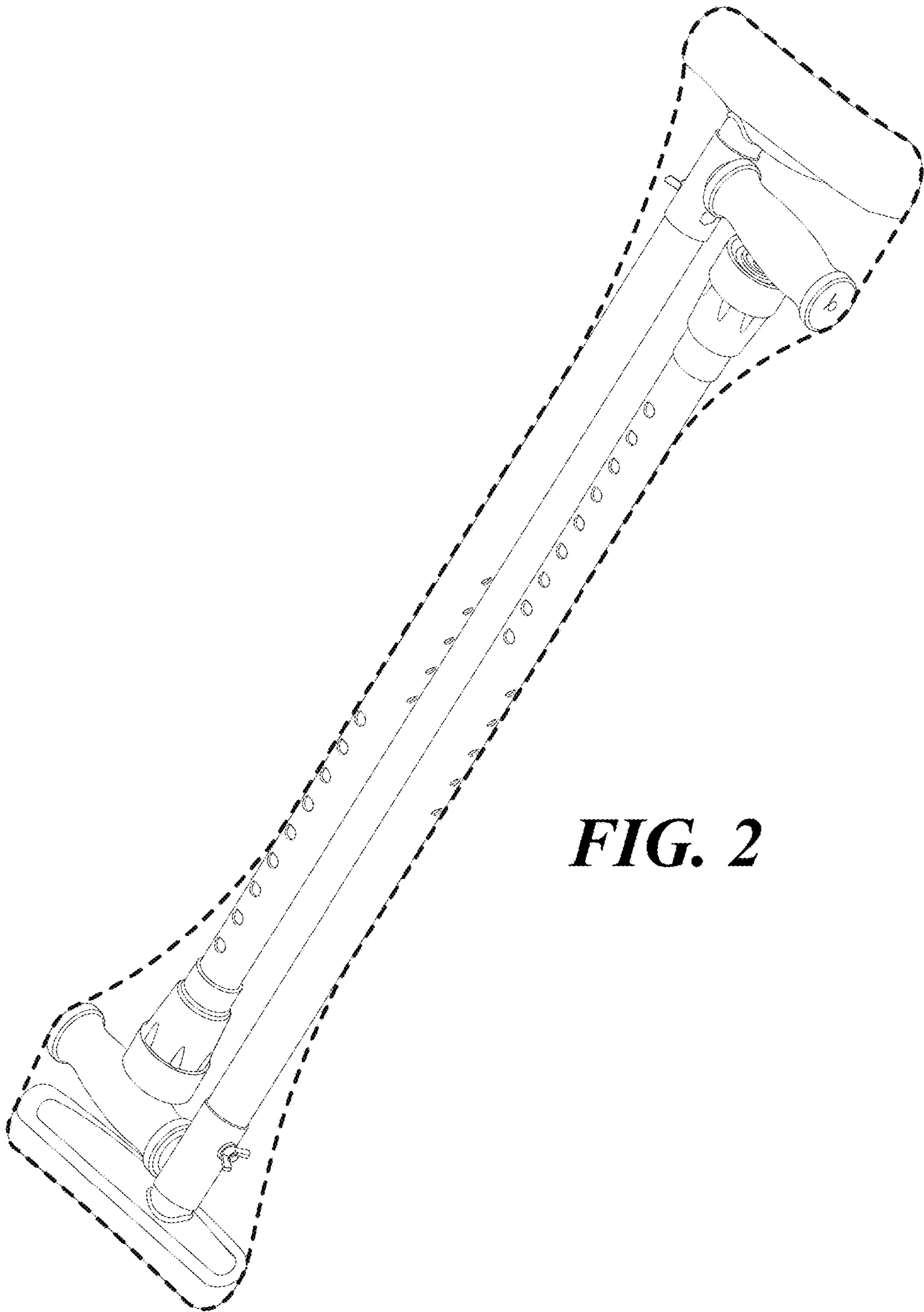


FIG. 2

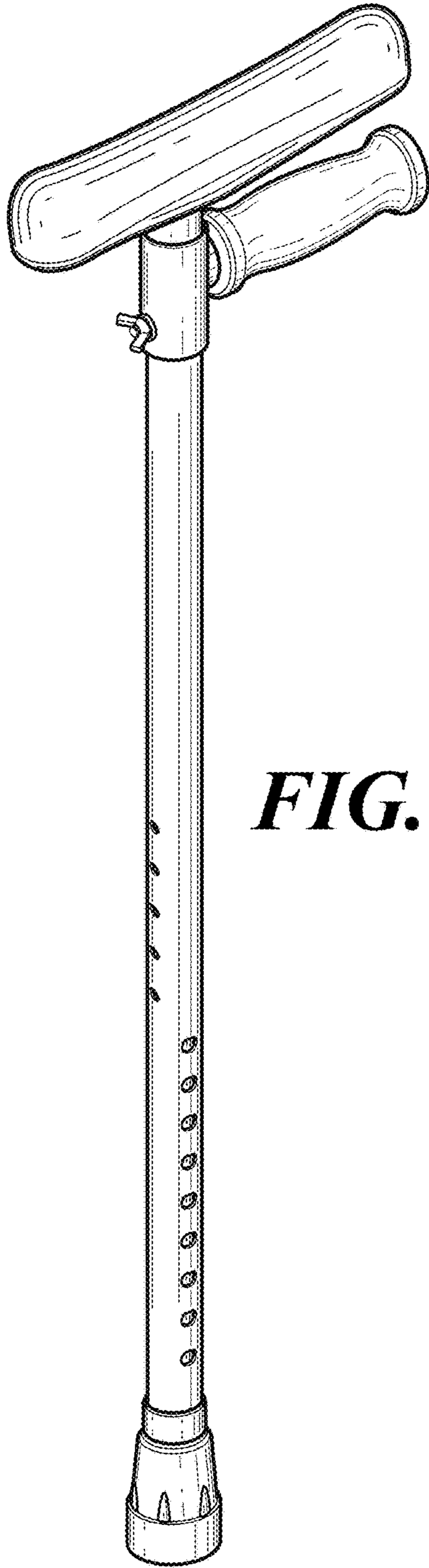


FIG. 3

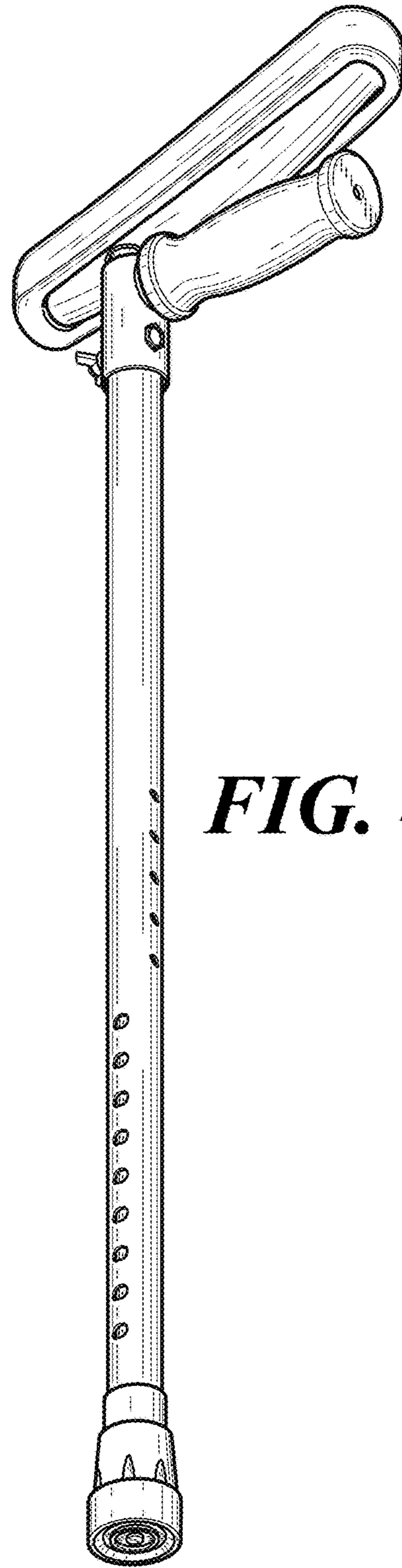


FIG. 4

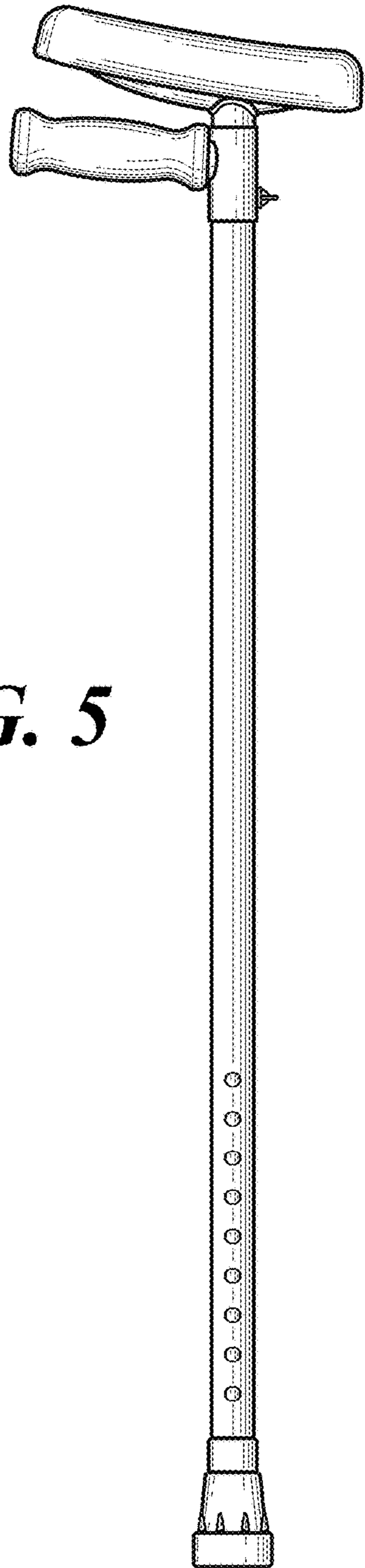


FIG. 5

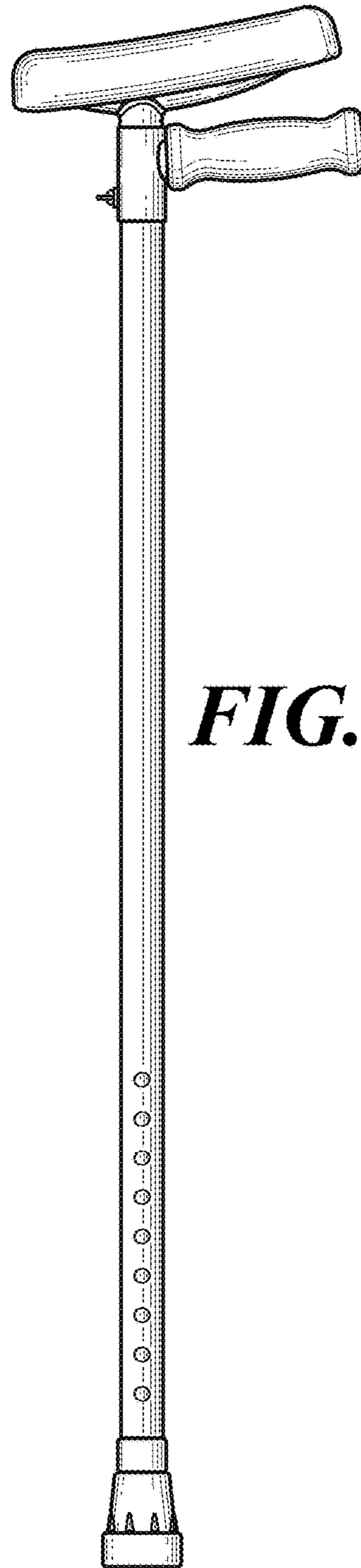


FIG. 6

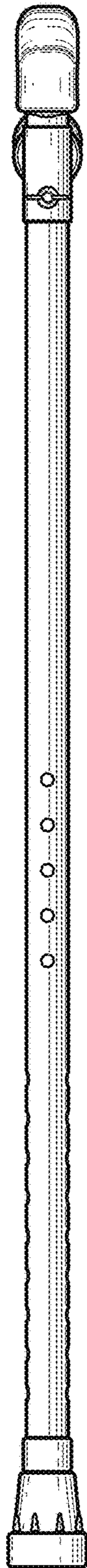
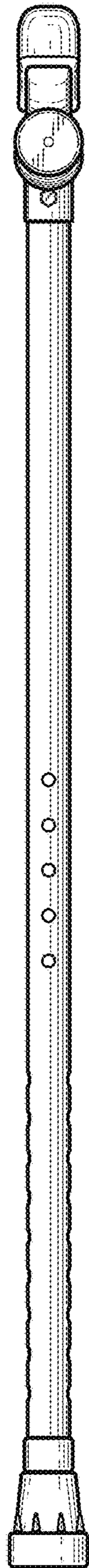


FIG. 7 **FIG. 8**

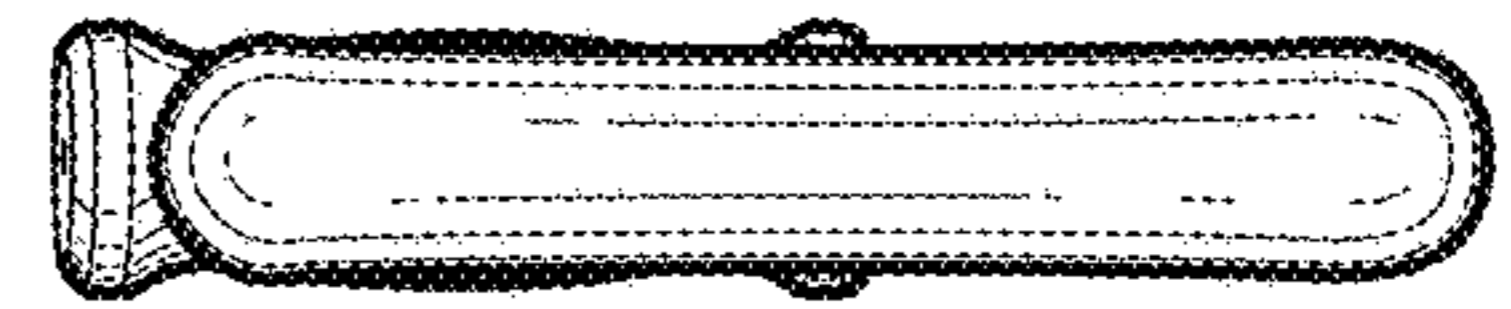


FIG. 9

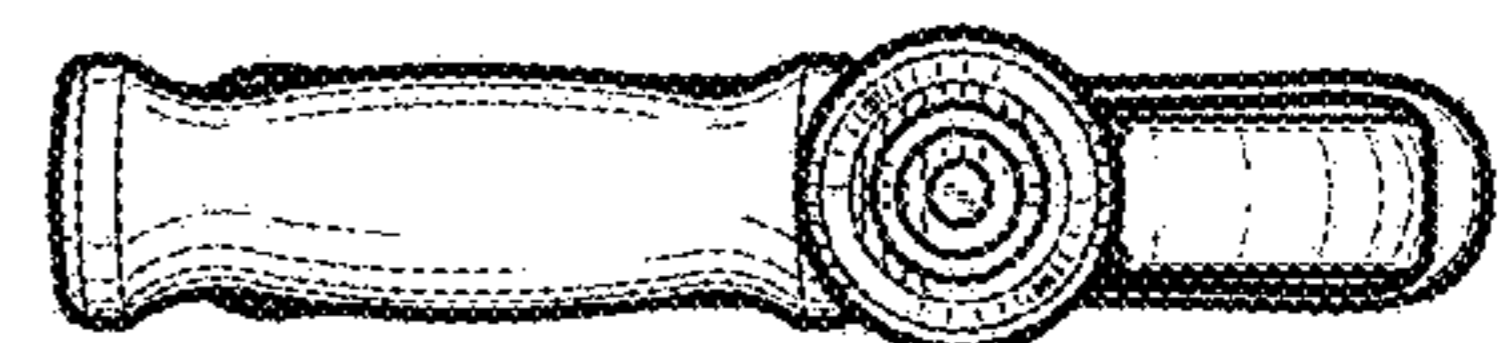


FIG. 10