



US00D821071S

(12) **United States Design Patent**
Kirkwood

(10) **Patent No.:** **US D821,071 S**

(45) **Date of Patent:** **** Jun. 26, 2018**

- (54) **SHOE**
- (71) Applicant: **Nicholas Kirkwood Limited**, London (GB)
- (72) Inventor: **Nicholas Kirkwood**, London (GB)
- (73) Assignee: **NICHOLAS KIRKWOOD LIMITED**, London (GB)
- (**) Term: **15 Years**
- (21) Appl. No.: **29/578,142**

D131,934 S *	4/1942	Elmore	D2/939
D134,666 S *	12/1942	Sandler	D2/971
D143,391 S *	1/1946	Jones	36/136
D146,768 S *	5/1947	Henkel	D2/943
D180,334 S *	5/1957	Keyes	D2/971
D636,982 S *	5/2011	Casadei	D2/964
D638,211 S *	5/2011	Casadei	D2/964
D675,417 S *	2/2013	Cheifetz	D2/965
D718,029 S *	11/2014	Javits, Jr.	D2/965
D723,770 S *	3/2015	Pozzi	D2/946
D730,031 S *	5/2015	Javits, Jr.	D2/946
D740,010 S *	10/2015	Kirkwood	D2/965
D770,150 S *	11/2016	Hardy	D2/923
D802,264 S *	11/2017	Kirkwood	D2/930
D802,265 S *	11/2017	Kirkwood	D2/930

- (22) Filed: **Sep. 19, 2016**
- (51) **LOC (11) Cl.** **02-99**
- (52) **U.S. Cl.**
USPC **D2/939**
- (58) **Field of Classification Search**
USPC D2/925-942, 969, 971; 36/1, 83,
36/8.1-8.3, 9 R, 45-58, 104, 108, 76 R
CPC A43B 21/00; A43B 21/02; A43B 21/06;
A43B 9/14; A43B 1/0045; A43B 13/10;
A43B 13/12; A43B 23/06; A43B 23/07;
A43B 1/0036; A43B 5/12
See application file for complete search history.

* cited by examiner

Primary Examiner — Dominic V Simone
(74) *Attorney, Agent, or Firm* — Raymond R. Ferrera;
Adams and Reese LLP

(56) **References Cited**
U.S. PATENT DOCUMENTS

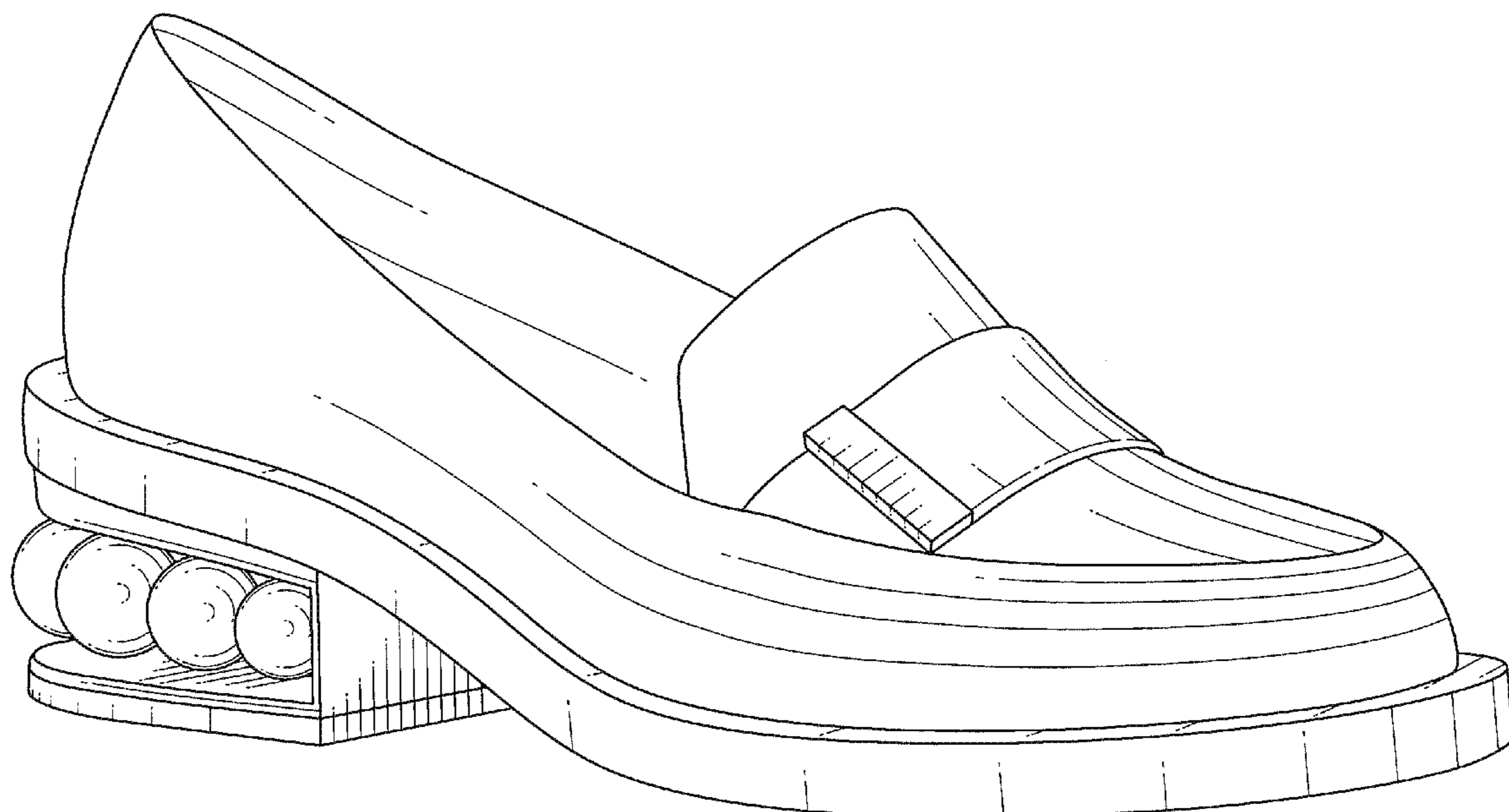
D11,152 S *	4/1879	Marks	D2/965
D95,767 S *	5/1935	Biel	36/34 R
D111,484 S *	9/1938	Jones	D2/943
D113,018 S *	1/1939	Schwartz	D2/965

(57) **CLAIM**
The ornamental design for a shoe, as shown and described.

DESCRIPTION

FIG. 1 is a perspective view showing the shoe;
FIG. 2 is a front view thereof;
FIG. 3 is a rear view thereof;
FIG. 4 is a left side view thereof;
FIG. 5 is a right side view thereof;
FIG. 6 is a top view thereof; and,
FIG. 7 is a bottom view thereof.

1 Claim, 6 Drawing Sheets



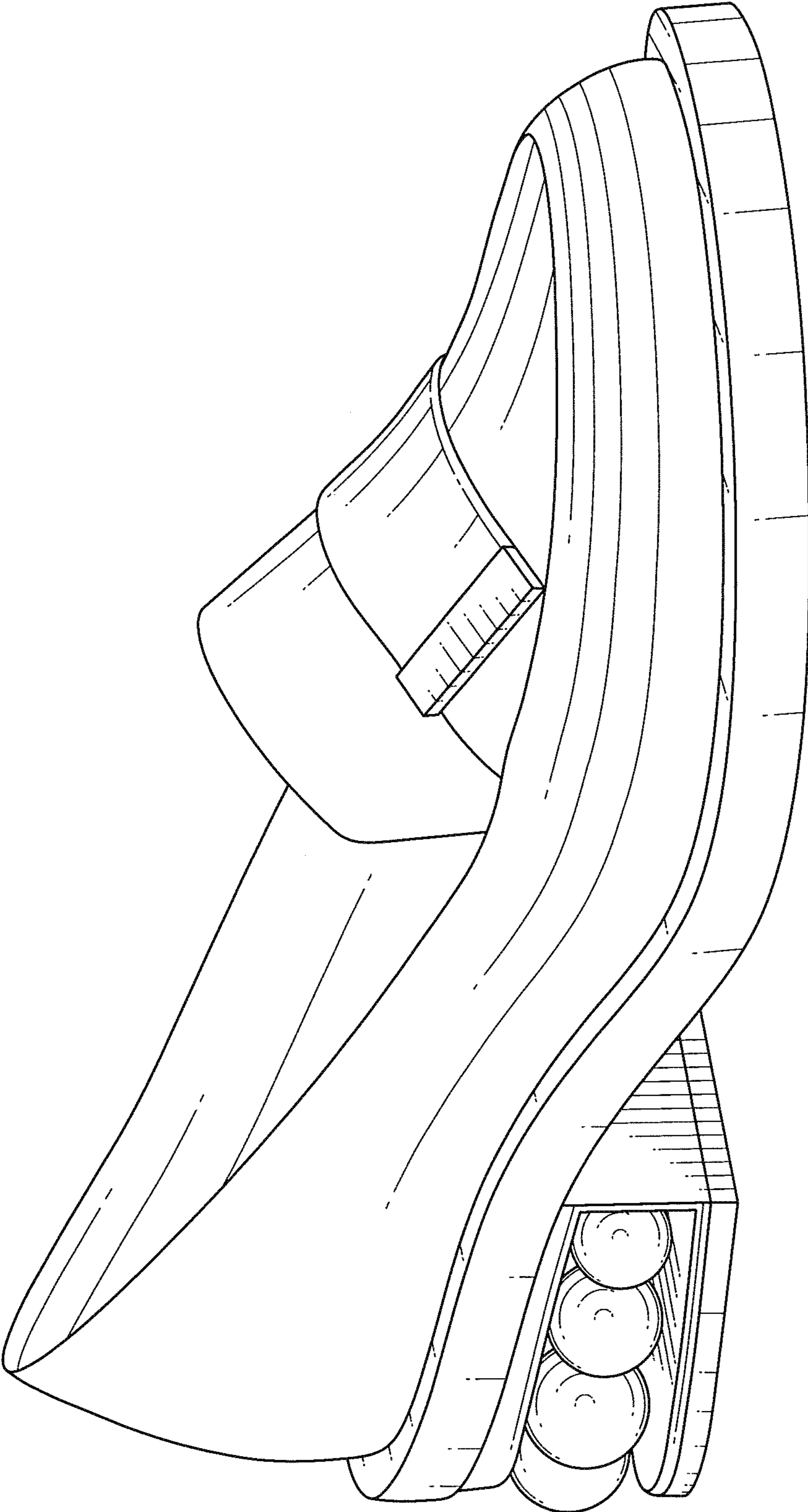


FIG. 1

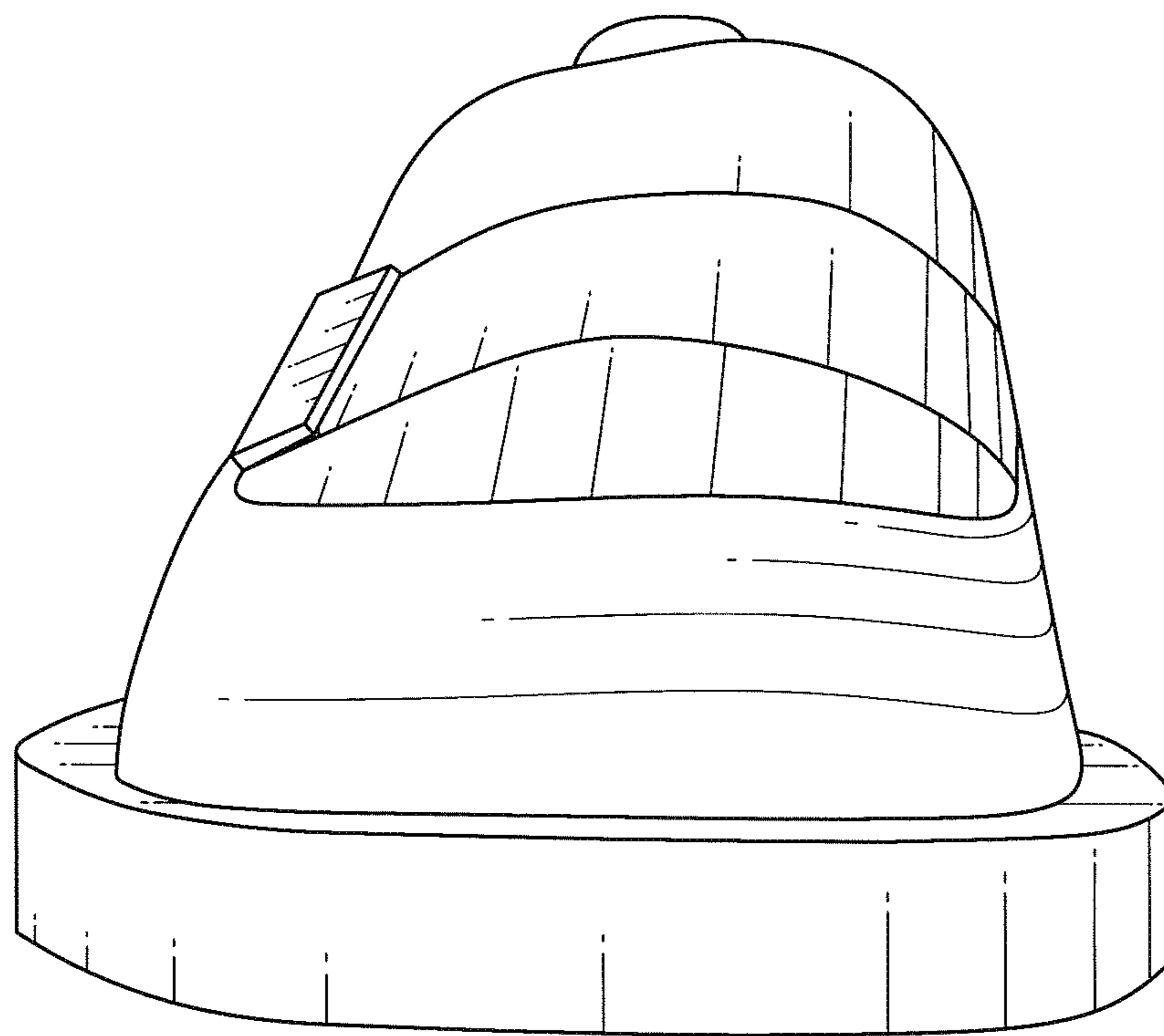


FIG. 2

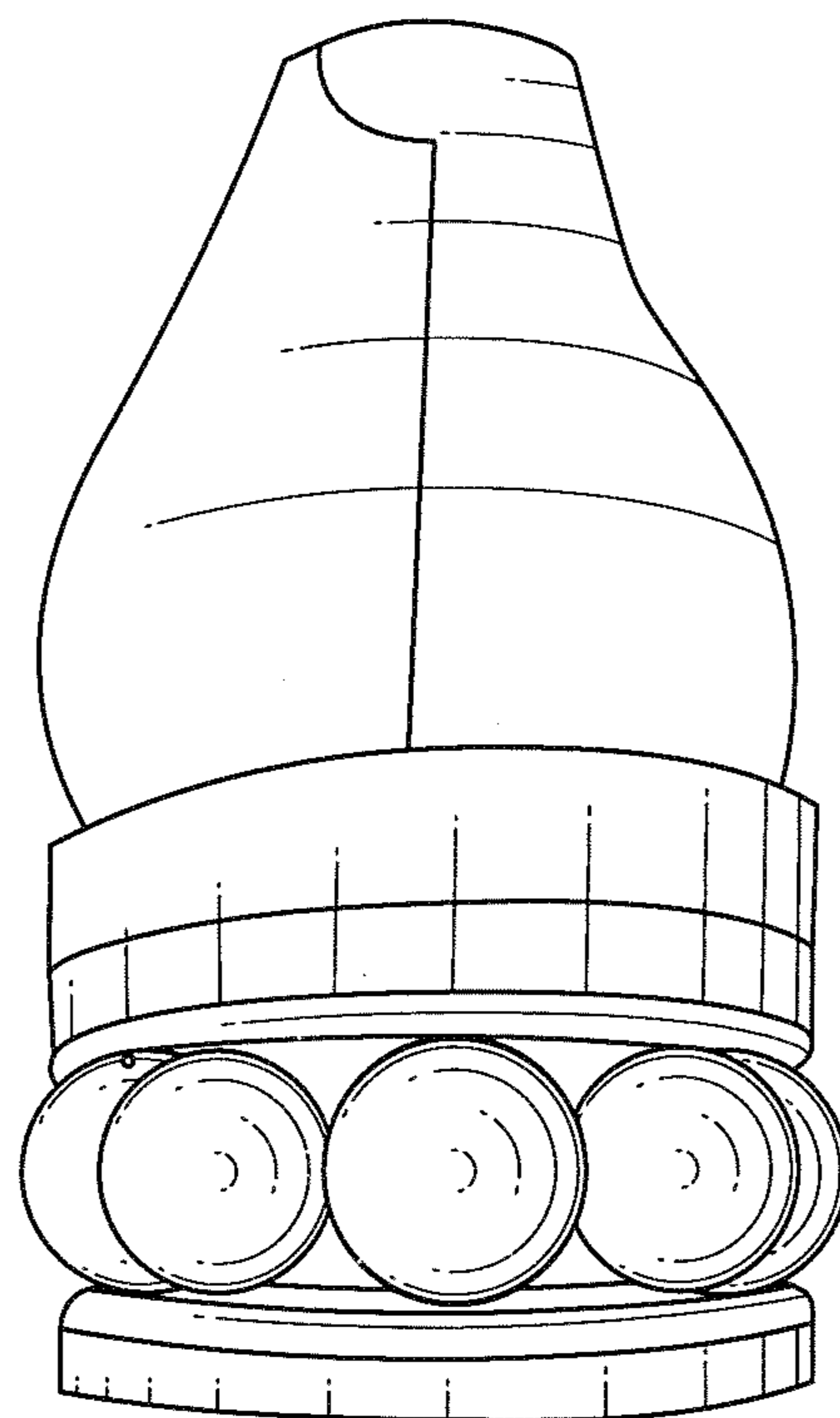


FIG. 3

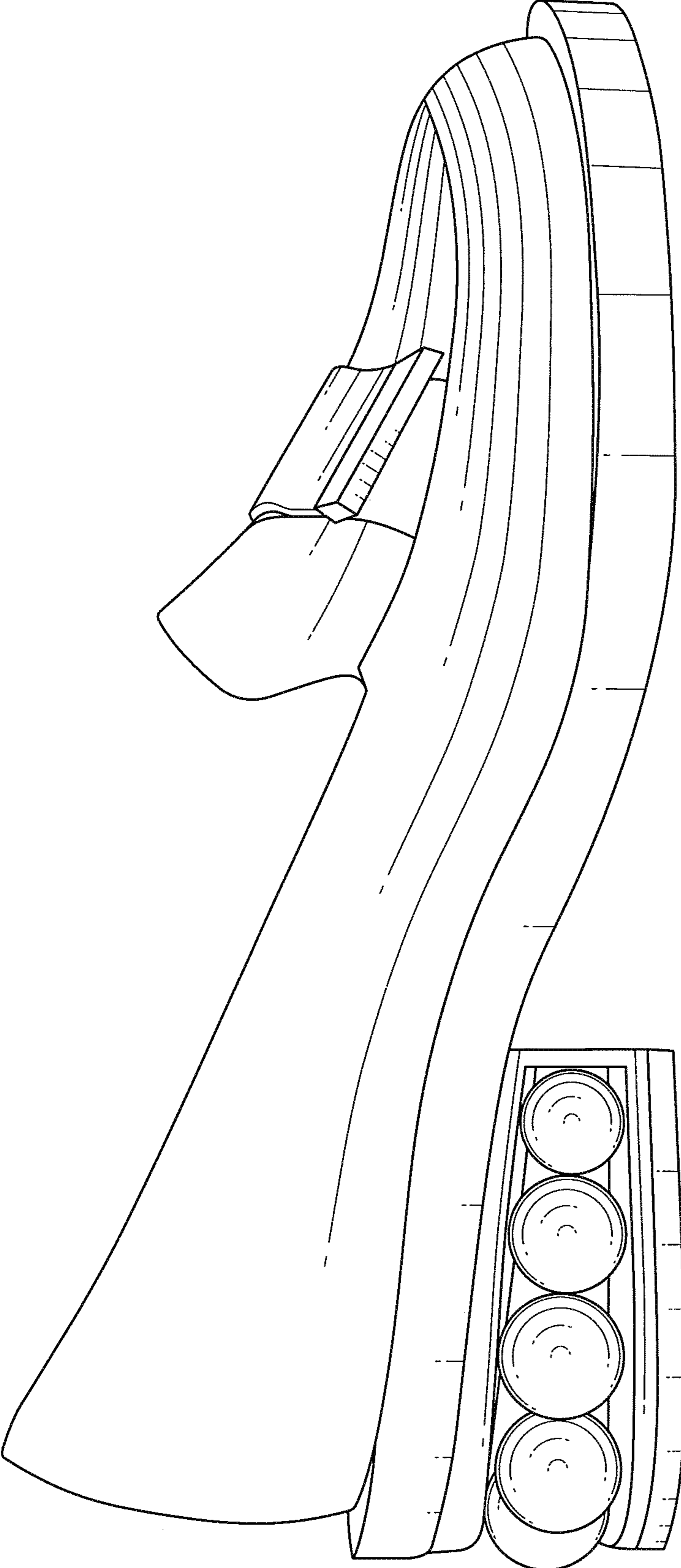


FIG. 4

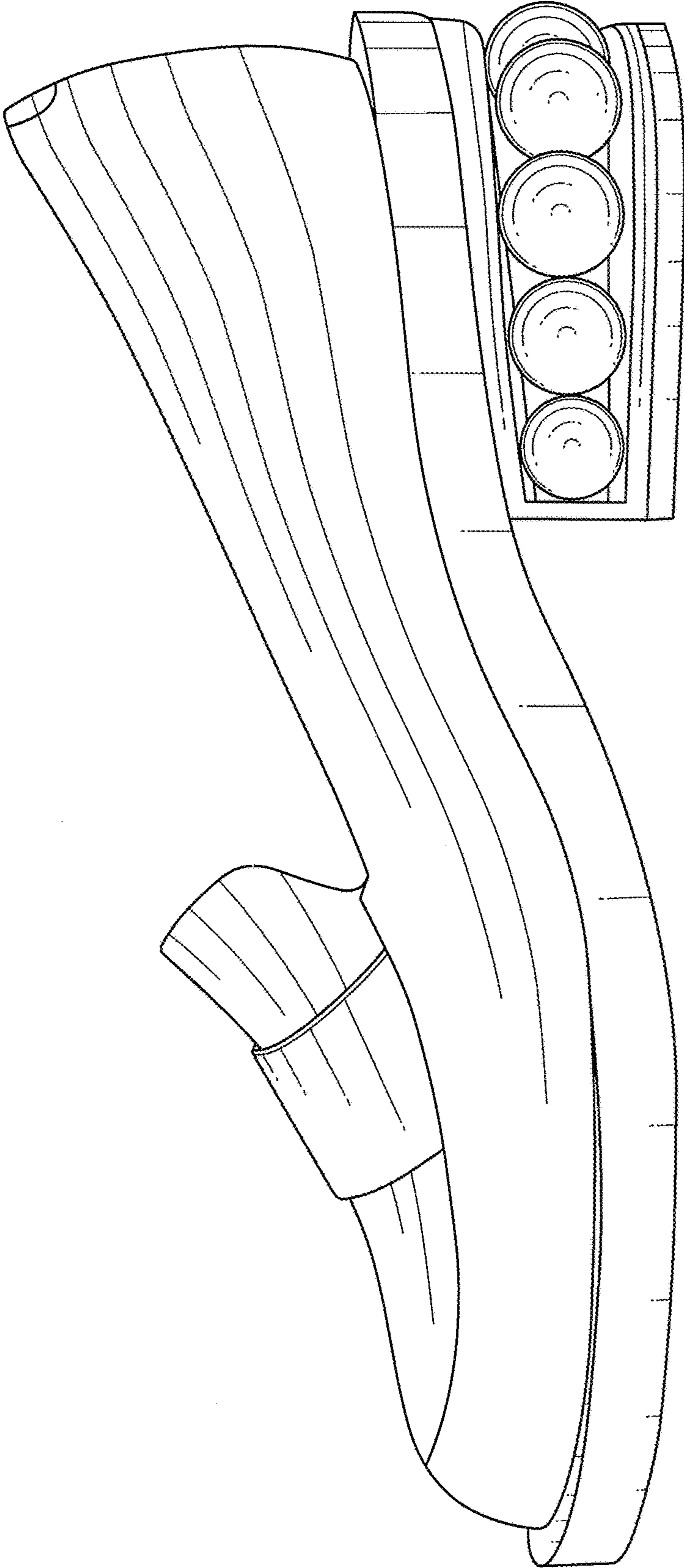


FIG. 5

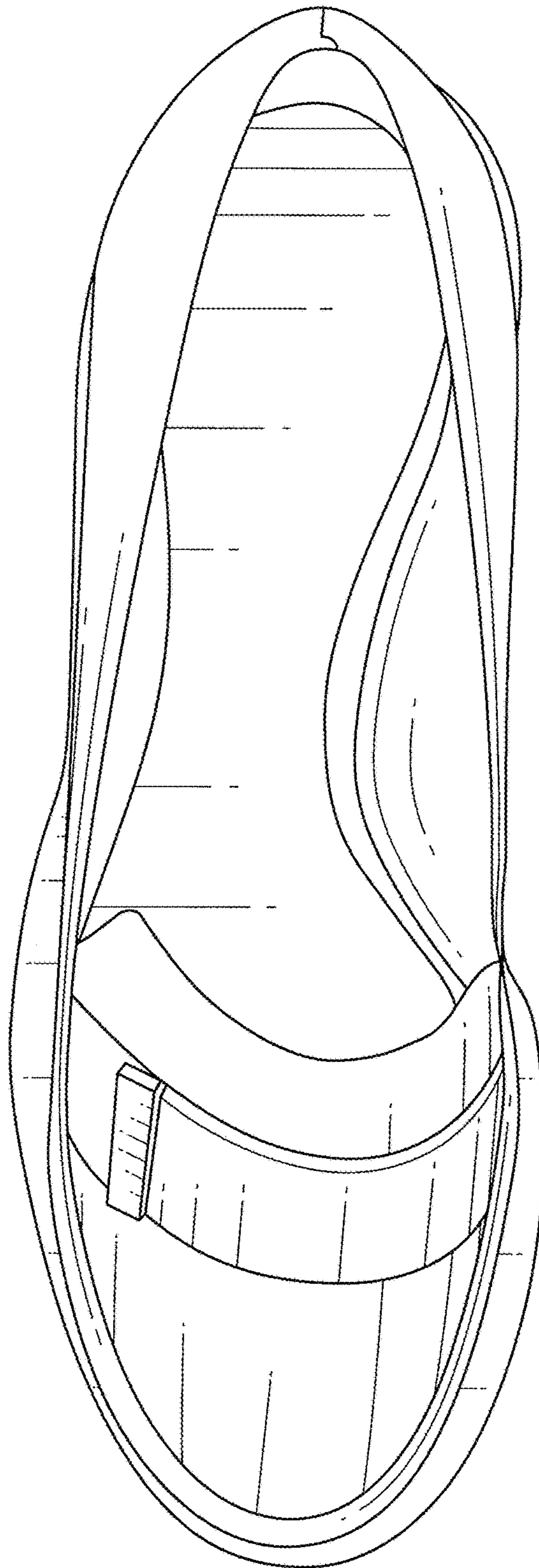


FIG. 6

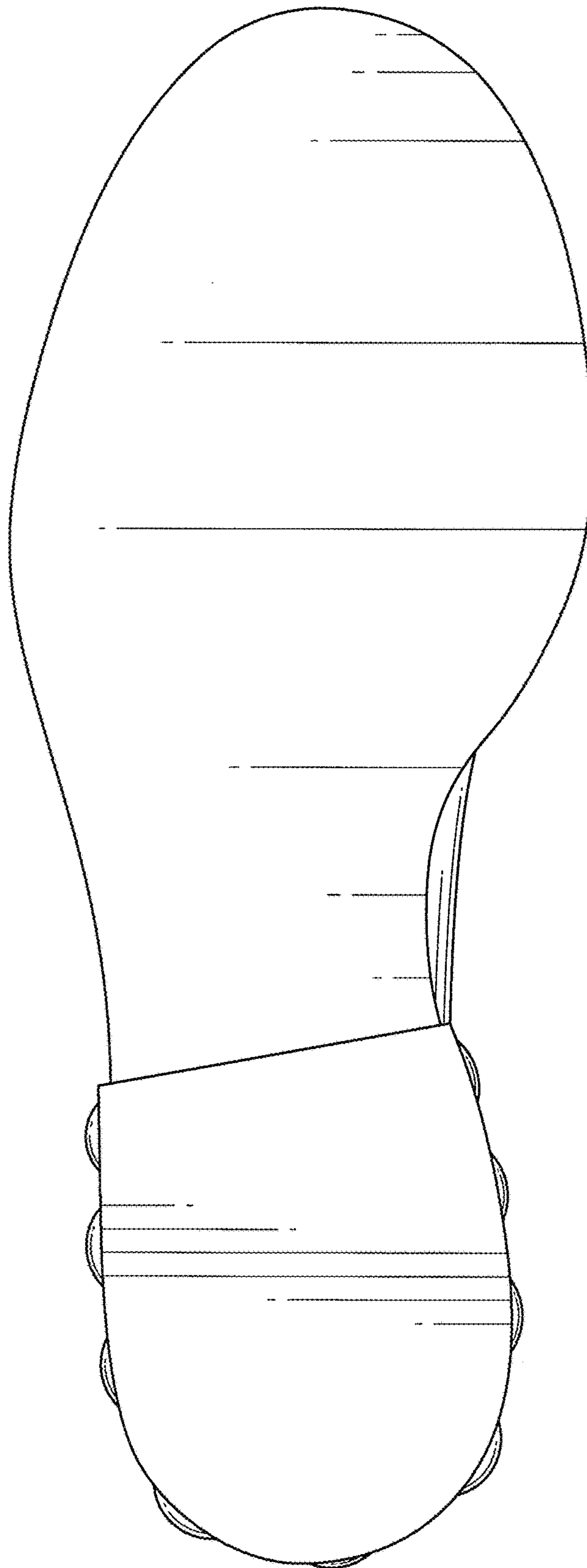


FIG. 7