

US00D821061S

(12) **United States Design Patent** (10) **Patent No.:** **US D821,061 S**  
**Do** (45) **Date of Patent:** **\*\* Jun. 26, 2018**

(54) **SHORTS**

(71) Applicant: **Level Terrain, LLC**, Broomfield, CO (US)

(72) Inventor: **Mia Do**, Broomfield, CO (US)

(73) Assignee: **LEVEL TERRAIN LLC**, Broomfield, CO (US)

(\*\*) Term: **15 Years**

(21) Appl. No.: **29/605,420**

(22) Filed: **May 25, 2017**

(51) **LOC (11) Cl.** ..... **02-02**

(52) **U.S. Cl.**  
USPC ..... **D2/731**

(58) **Field of Classification Search**  
USPC ..... D2/712, 713, 731, 734, 737, 738, 742,  
D2/743, 831, 840, 851, 857  
CPC .... A41B 9/00; A41B 9/02; A41B 9/04; A41B  
9/14; A41D 1/06; A41D 1/08; A41D  
1/084; A41D 13/00  
See application file for complete search history.

(56) **References Cited**

**U.S. PATENT DOCUMENTS**

2,822,807	A *	2/1958	Heyman	.....	A41B 9/02 2/404
D404,185	S *	1/1999	Lanter	.....	D2/712
D540,009	S *	4/2007	Ceffalio	.....	D2/712
D560,878	S *	2/2008	Rie	.....	D2/713
D615,279	S *	5/2010	Savage	.....	D2/731
D645,643	S *	9/2011	Taylor	.....	D2/712
D660,553	S *	5/2012	Farina	.....	D2/742
D704,921	S *	5/2014	Tsou	.....	D2/712

D711,070	S *	8/2014	Lecigne	.....	D2/712
D741,045	S *	10/2015	Scherr	.....	D2/731
D750,346	S *	3/2016	McManus	.....	
D761,520	S *	7/2016	Klein	.....	D2/712
D764,143	S *	8/2016	Gallo	.....	D2/731
D778,535	S *	2/2017	Lomax	.....	D2/731
D778,539	S *	2/2017	Kandarian	.....	D2/742
D779,158	S *	2/2017	Lomax	.....	D2/731
D783,937	S *	4/2017	Miller	.....	D2/731
D794,904	S *	8/2017	Johnston	.....	D2/700
D796,152	S *	9/2017	Miller	.....	D2/731
D803,520	S *	11/2017	Kelley	.....	D2/731
2017/0105456	A1 *	4/2017	Hauser	.....	A41B 9/026

**OTHER PUBLICATIONS**

U.S. Appl. No. 29/605,785, filed May 30, 2017, Do.

\* cited by examiner

*Primary Examiner* — Sheryl Lane

*Assistant Examiner* — Jennifer M Campbell

(74) *Attorney, Agent, or Firm* — Sheridan Ross P.C.

(57) **CLAIM**

The ornamental design for shorts, as shown and described.

**DESCRIPTION**

FIG. 1 is a front perspective view of the shorts showing the new design;

FIG. 2 is a front elevation view thereof;

FIG. 3 is a rear elevation view thereof;

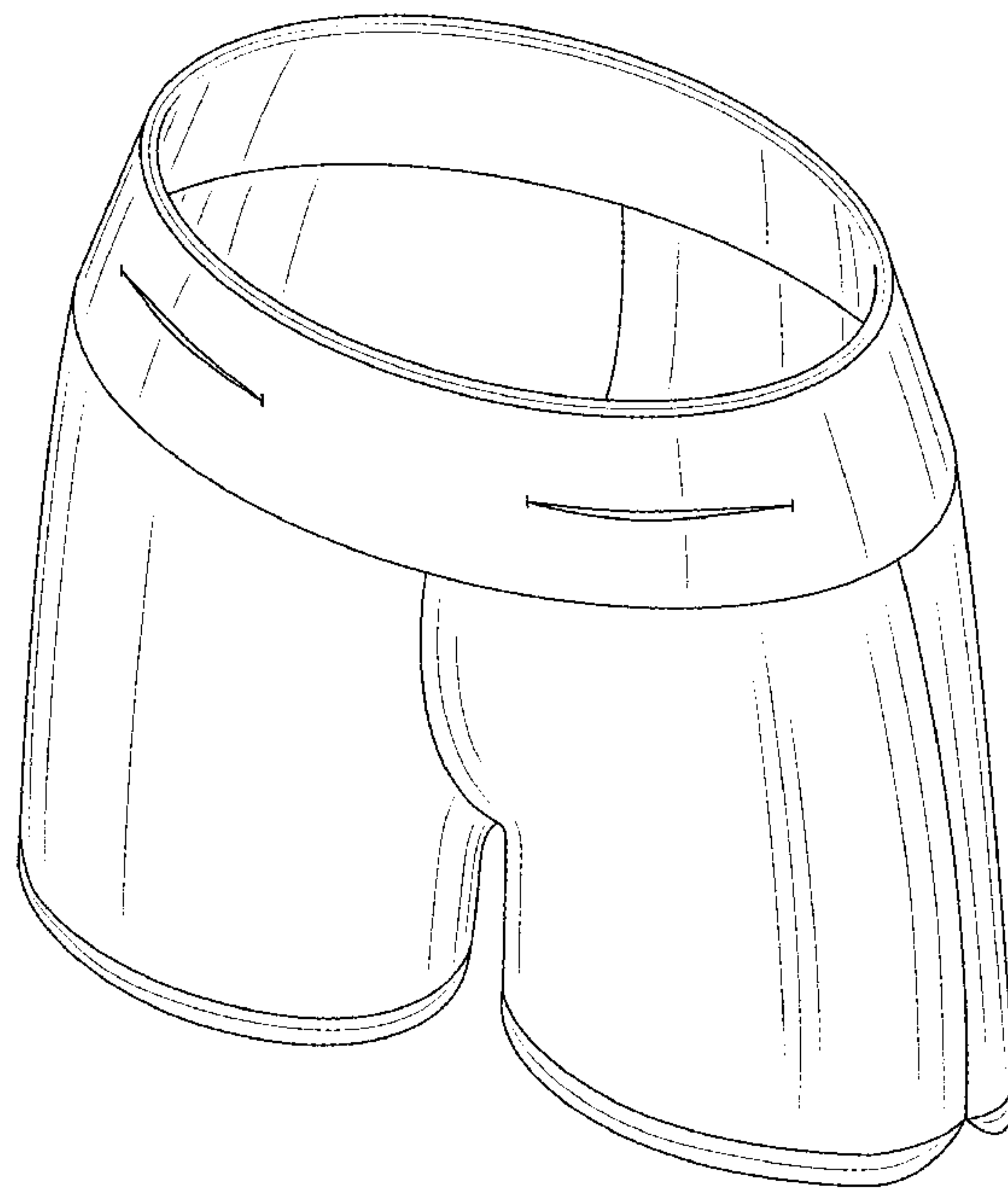
FIG. 4 is a right elevation view thereof;

FIG. 5 is a left elevation view thereof;

FIG. 6 is a top plan view thereof; and,

FIG. 7 is a bottom plan view thereof.

**1 Claim, 7 Drawing Sheets**



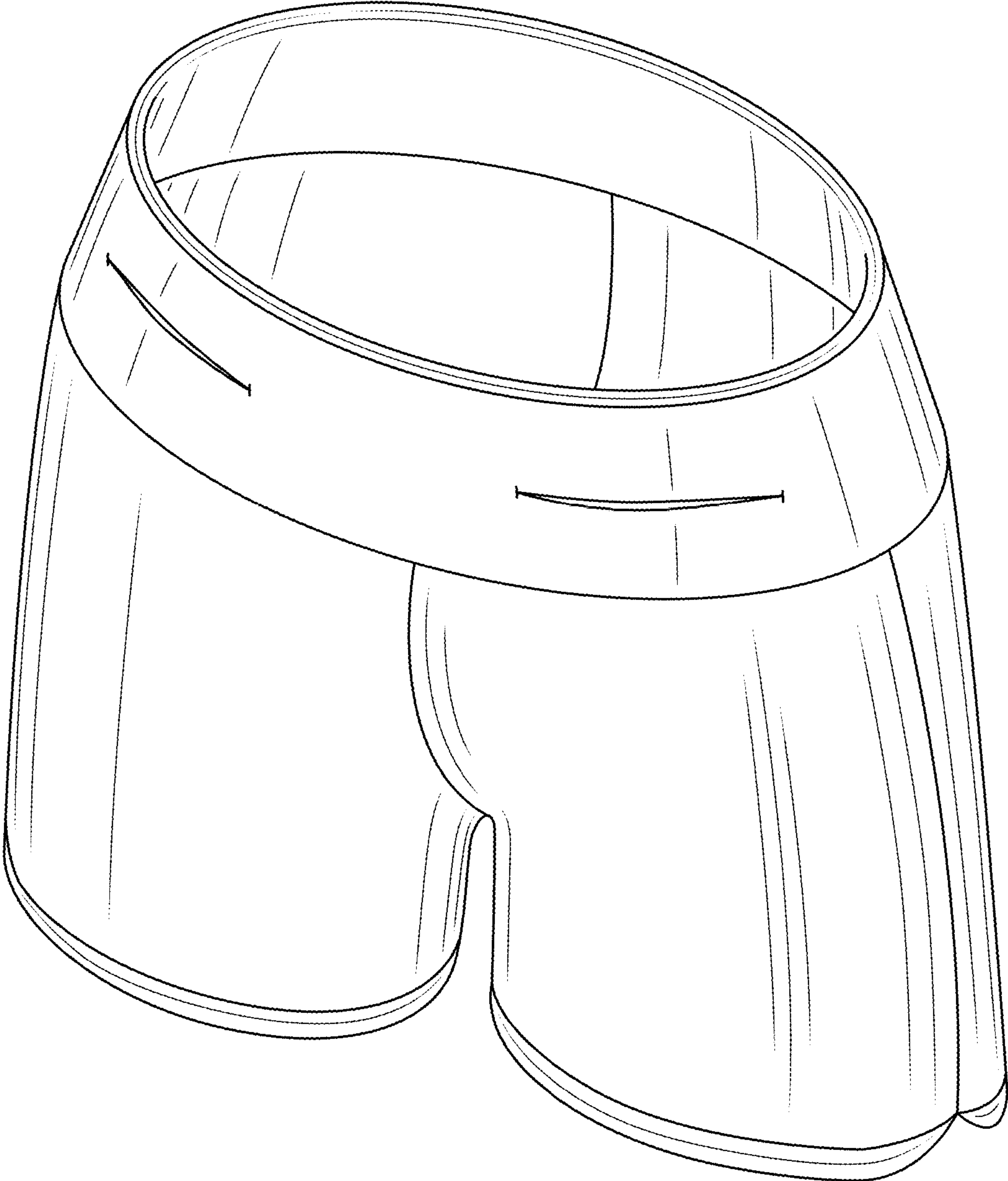


FIG.1

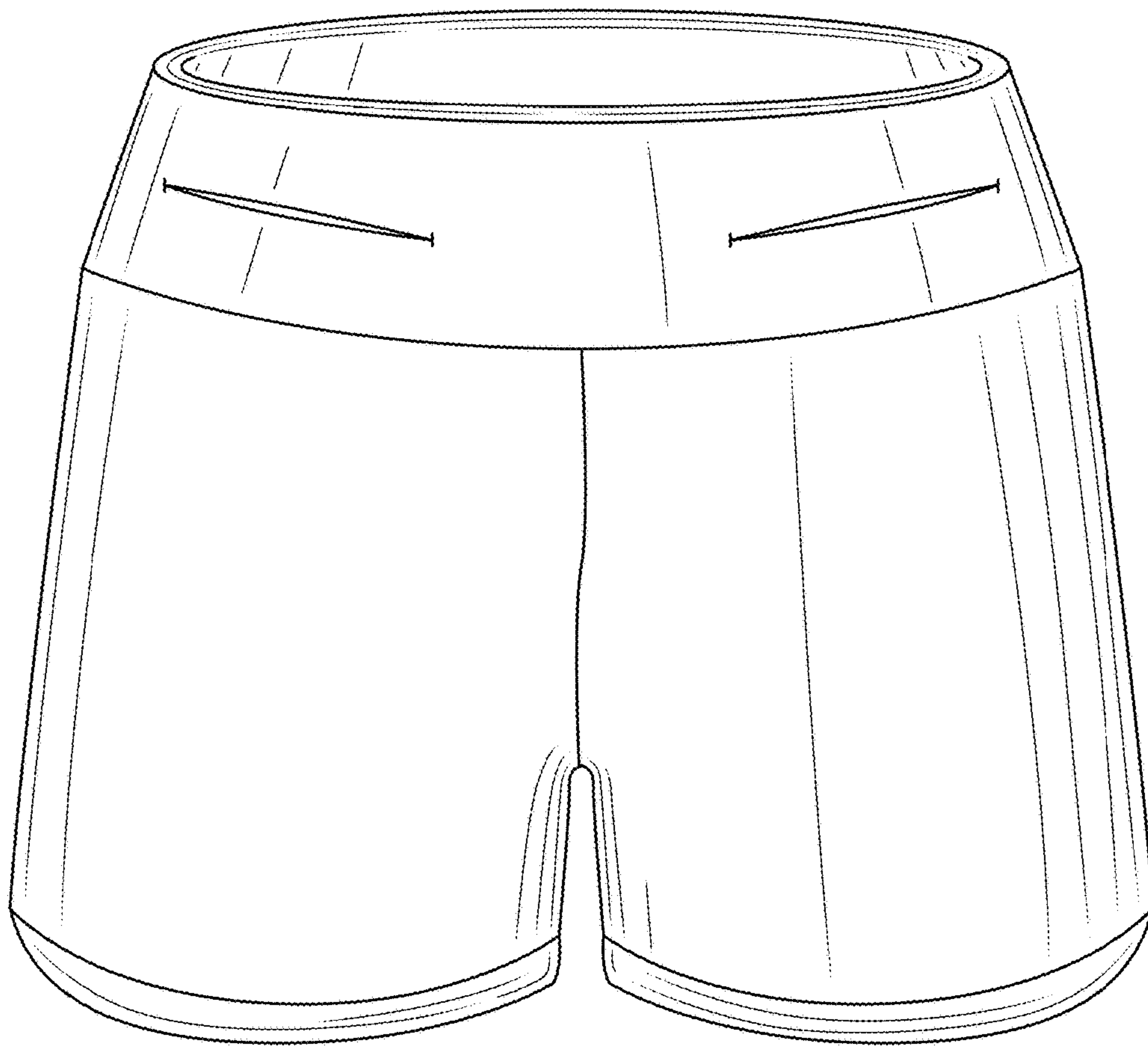


FIG.2

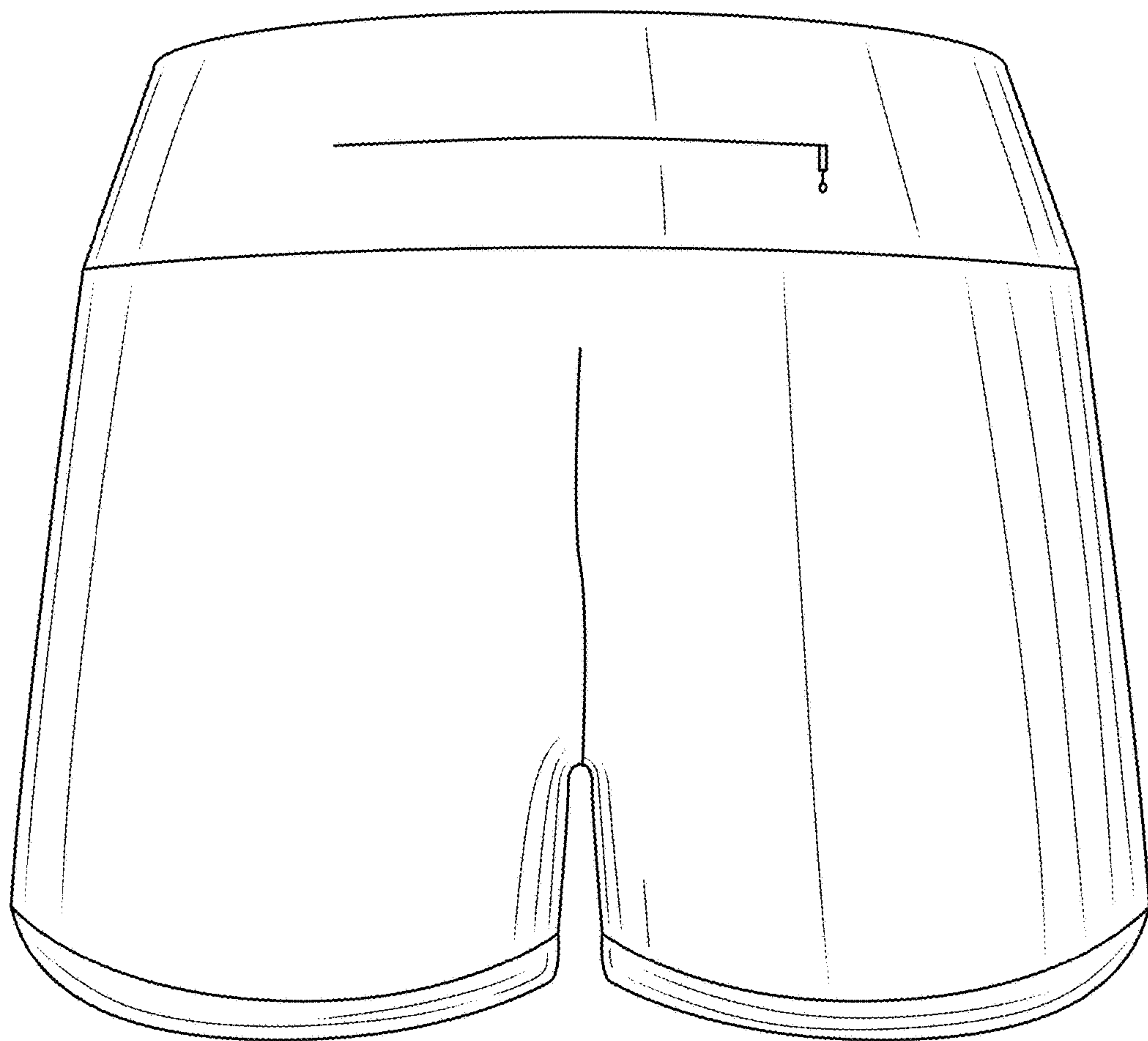


FIG.3



FIG.4

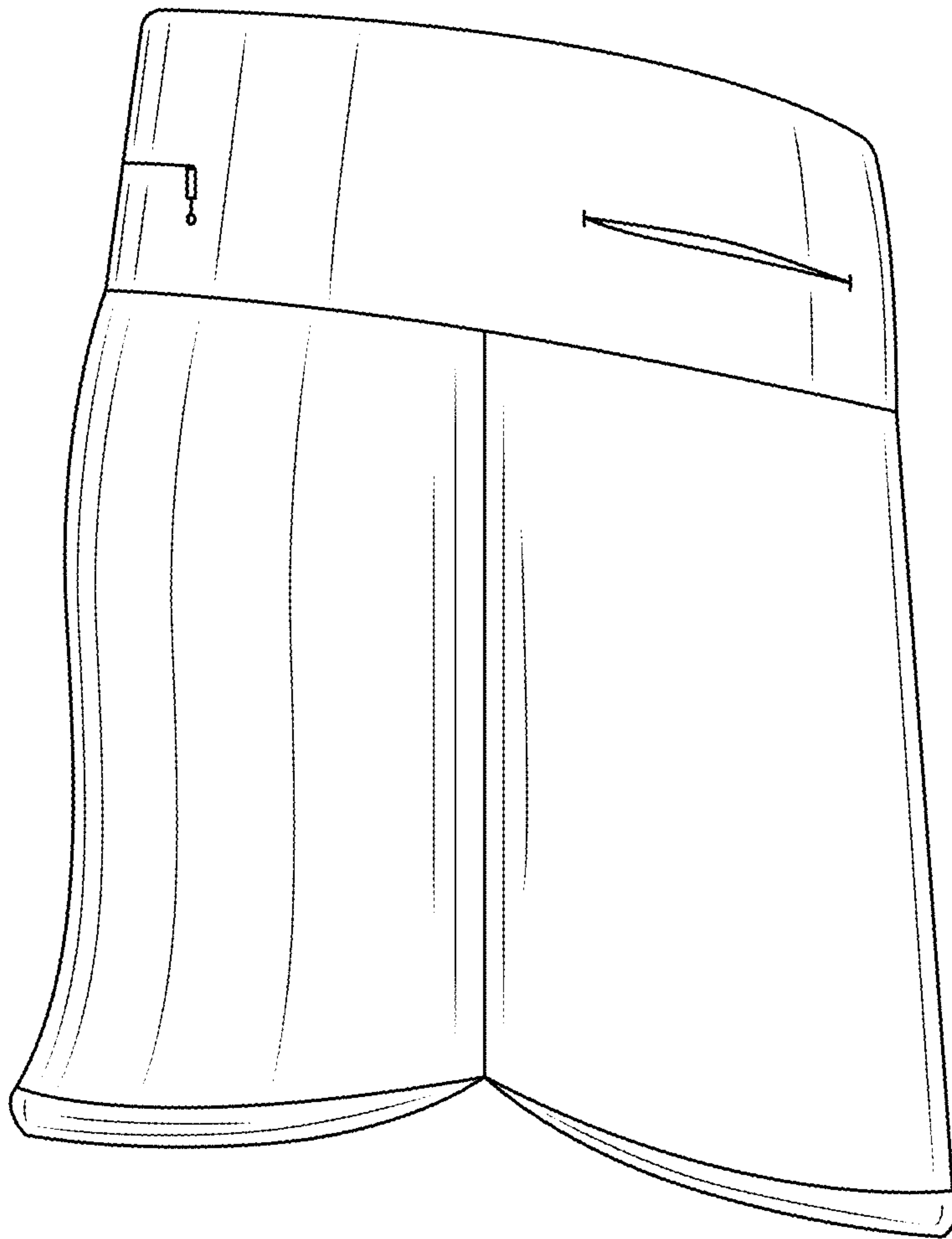


FIG.5



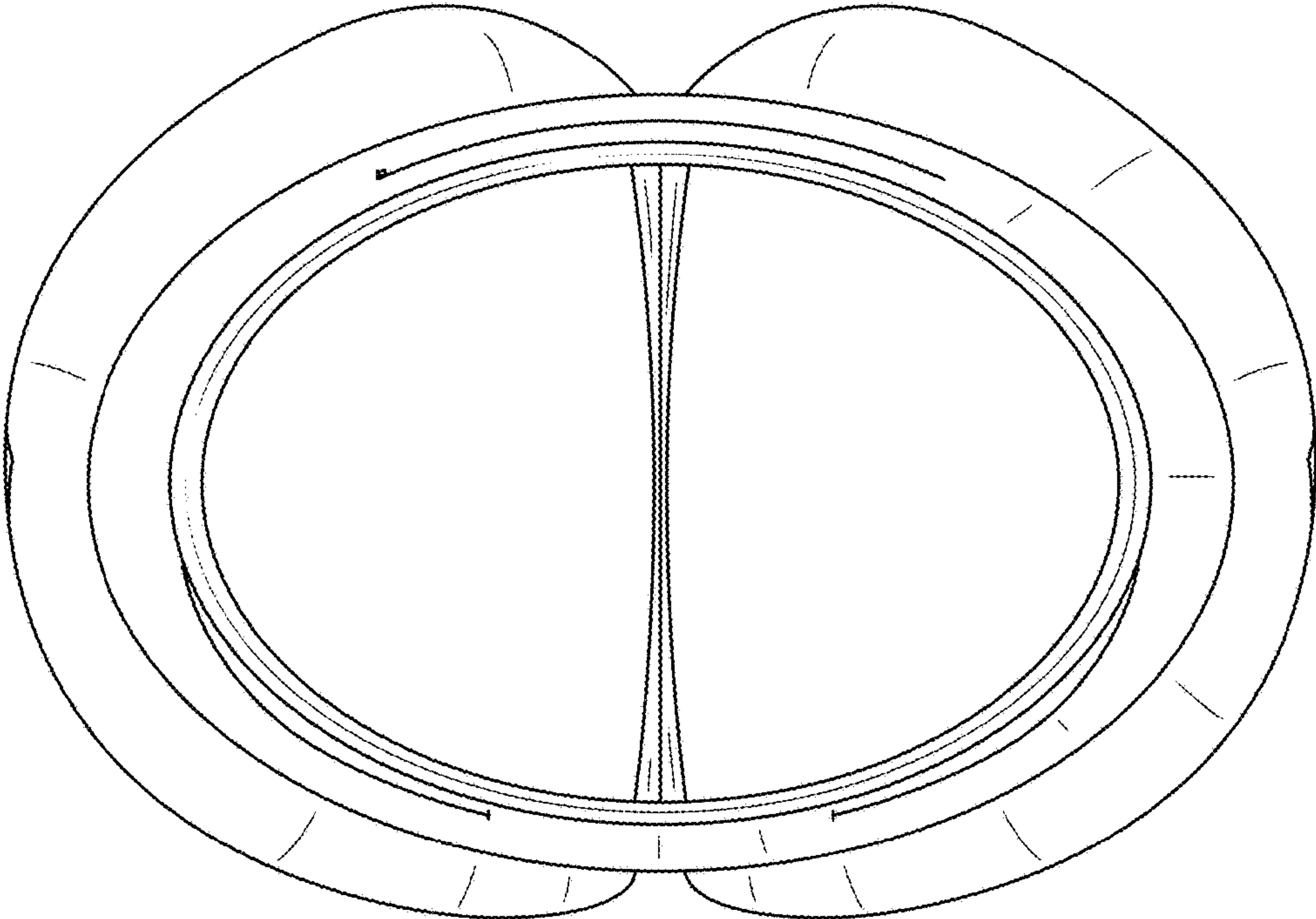


FIG.6

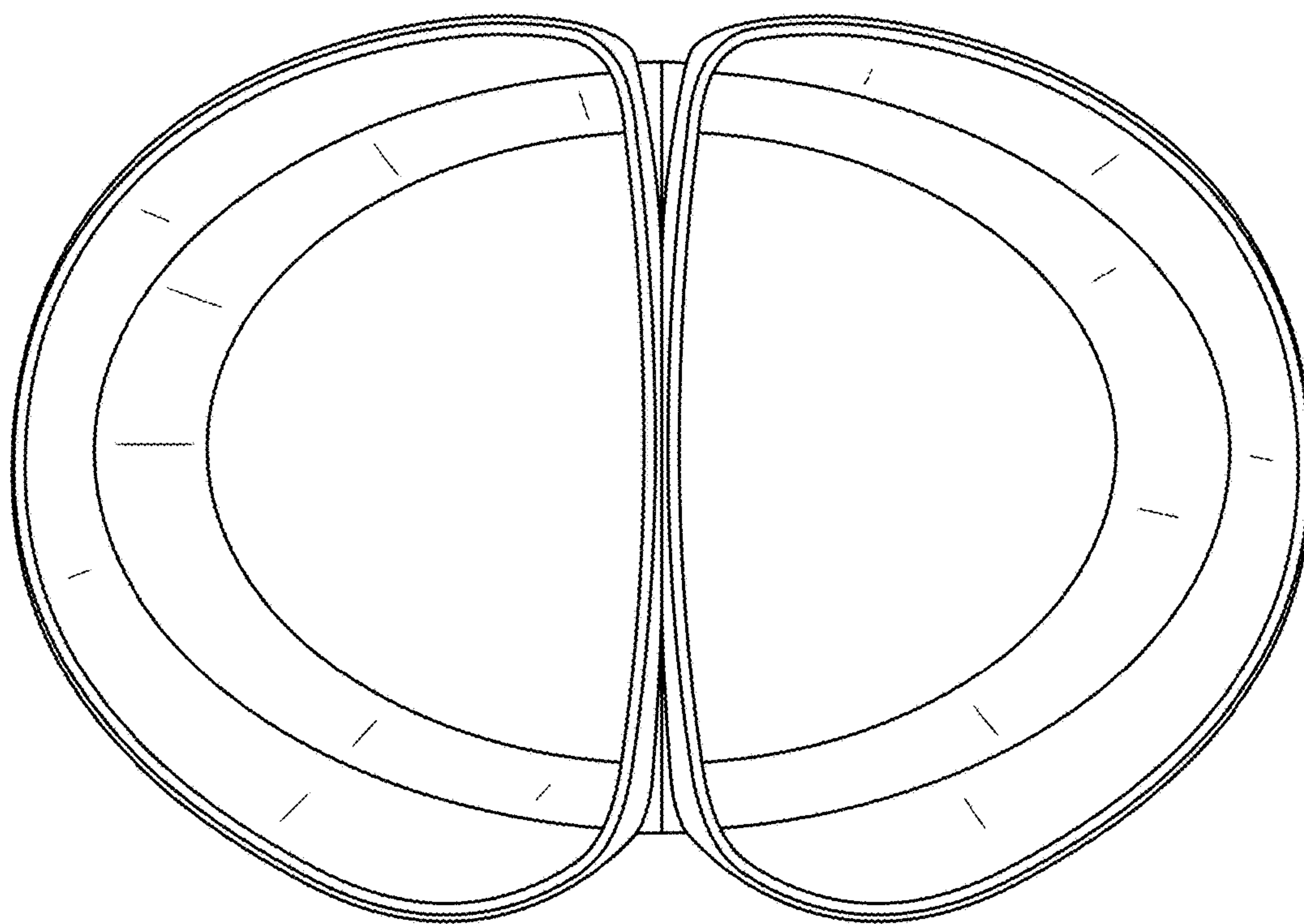


FIG.7