



US00D821060S

(12) **United States Design Patent**  
**Derington**

(10) **Patent No.:** **US D821,060 S**  
(45) **Date of Patent:** **\*\* Jun. 26, 2018**

- (54) **DOUBLE LAYER ATHLETIC SHORTS**
- (71) Applicant: **Travis William Derington**, Morrison, CO (US)
- (72) Inventor: **Travis William Derington**, Morrison, CO (US)
- (\*\*) Term: **15 Years**
- (21) Appl. No.: **29/604,906**
- (22) Filed: **May 22, 2017**
- (51) **LOC (11) Cl.** ..... **02-02**
- (52) **U.S. Cl.**  
USPC ..... **D2/731**
- (58) **Field of Classification Search**  
USPC ..... D2/712, 713, 731, 734, 737, 738, 742, D2/743, 831, 840, 851, 857  
CPC .... A41B 9/00; A41B 9/02; A41B 9/04; A41B 9/14; A41D 1/06; A41D 1/08; A41D 1/084; A41D 13/00  
See application file for complete search history.

- D774,279 S \* 12/2016 Hawkins ..... D2/731
- D782,156 S \* 3/2017 Shoemaker ..... A41B 9/008
- D2/712
- D798,540 S \* 10/2017 Foland ..... D2/738
- D801,638 S \* 11/2017 Curran ..... D2/738
- D802,255 S \* 11/2017 Schneider ..... D2/738
- 2007/0245463 A1\* 10/2007 Kang ..... A41B 9/023
- 2/403
- 2017/0354192 A1\* 12/2017 Albano ..... A41D 27/205

\* cited by examiner

*Primary Examiner* — Sheryl Lane  
*Assistant Examiner* — Jennifer M Campbell  
(74) *Attorney, Agent, or Firm* — Dunlap Bennett & Ludwig PLLC

(57) **CLAIM**

The ornamental design for a double layer athletic shorts, as shown and described.

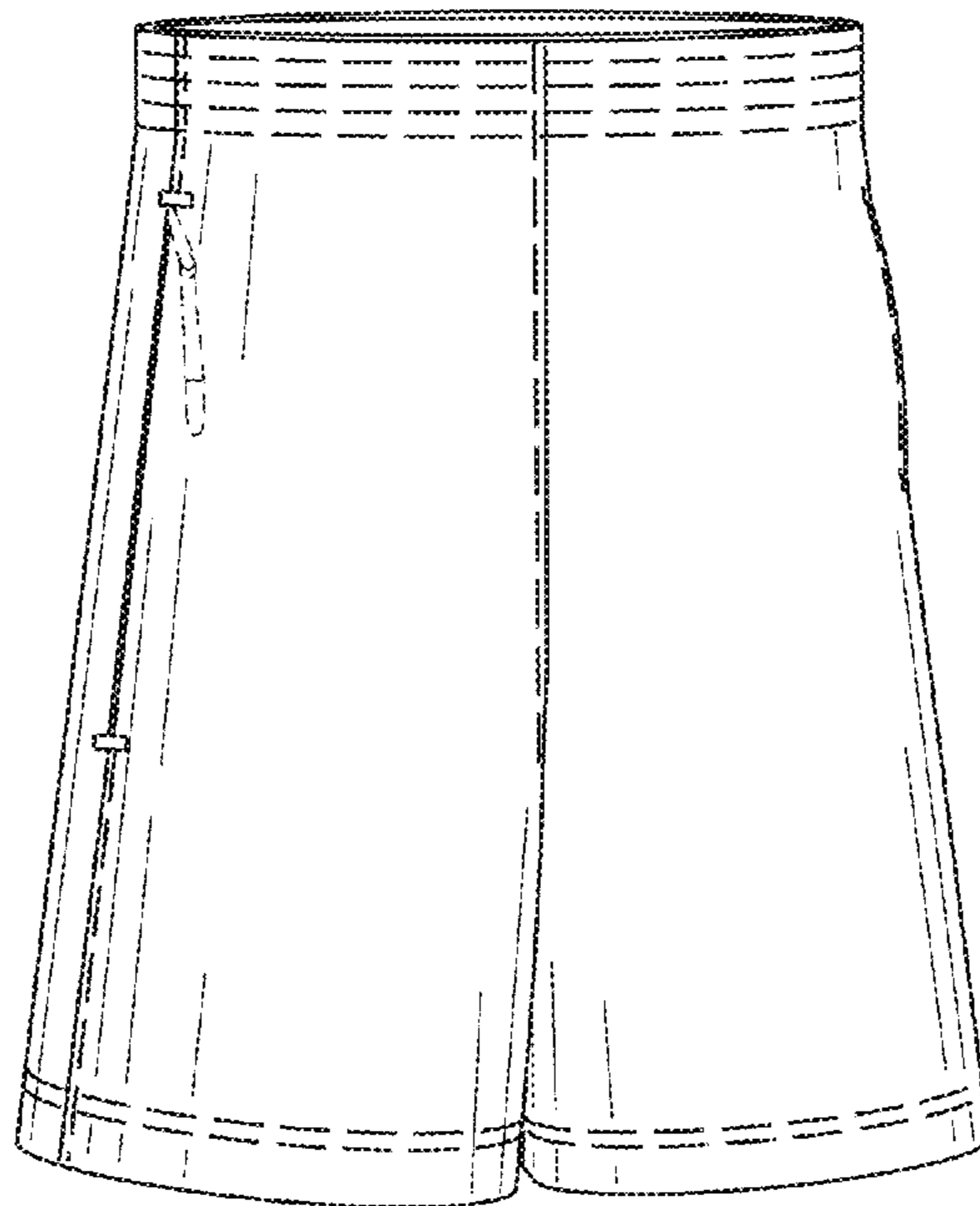
**DESCRIPTION**

FIG. 1 is a front perspective view of the double layer shorts showing my new design;  
FIG. 2 is a front elevation view thereof;  
FIG. 3 is a rear elevation view thereof;  
FIG. 4 is a left side elevation view thereof;  
FIG. 5 is a right side elevation view thereof;  
FIG. 6 is a top plan view thereof;  
FIG. 7 is a bottom plan view thereof; and,  
FIG. 8 is a front elevation view of the present embodiment in use.  
The long dashed lines depict stitching and form part of the claimed design. The short broken lines depict portions of the double layer athletic shorts and form no part of the claimed design.

**1 Claim, 4 Drawing Sheets**

(56) **References Cited**  
U.S. PATENT DOCUMENTS

- D382,386 S \* 8/1997 Malone ..... D2/731
- D434,545 S \* 12/2000 Maastricht ..... D2/731
- D487,609 S \* 3/2004 Cruz ..... D2/731
- 7,065,797 B1 \* 6/2006 Chen ..... A41B 9/02
- 2/400
- D679,070 S \* 4/2013 Denning ..... D2/712
- D699,918 S \* 2/2014 Schulz ..... D2/712
- D701,674 S \* 4/2014 Denning ..... D2/712
- D746,544 S \* 1/2016 Curran ..... D2/738
- D762,946 S \* 8/2016 McArthur ..... D2/731
- D772,535 S \* 11/2016 McArthur ..... D2/731



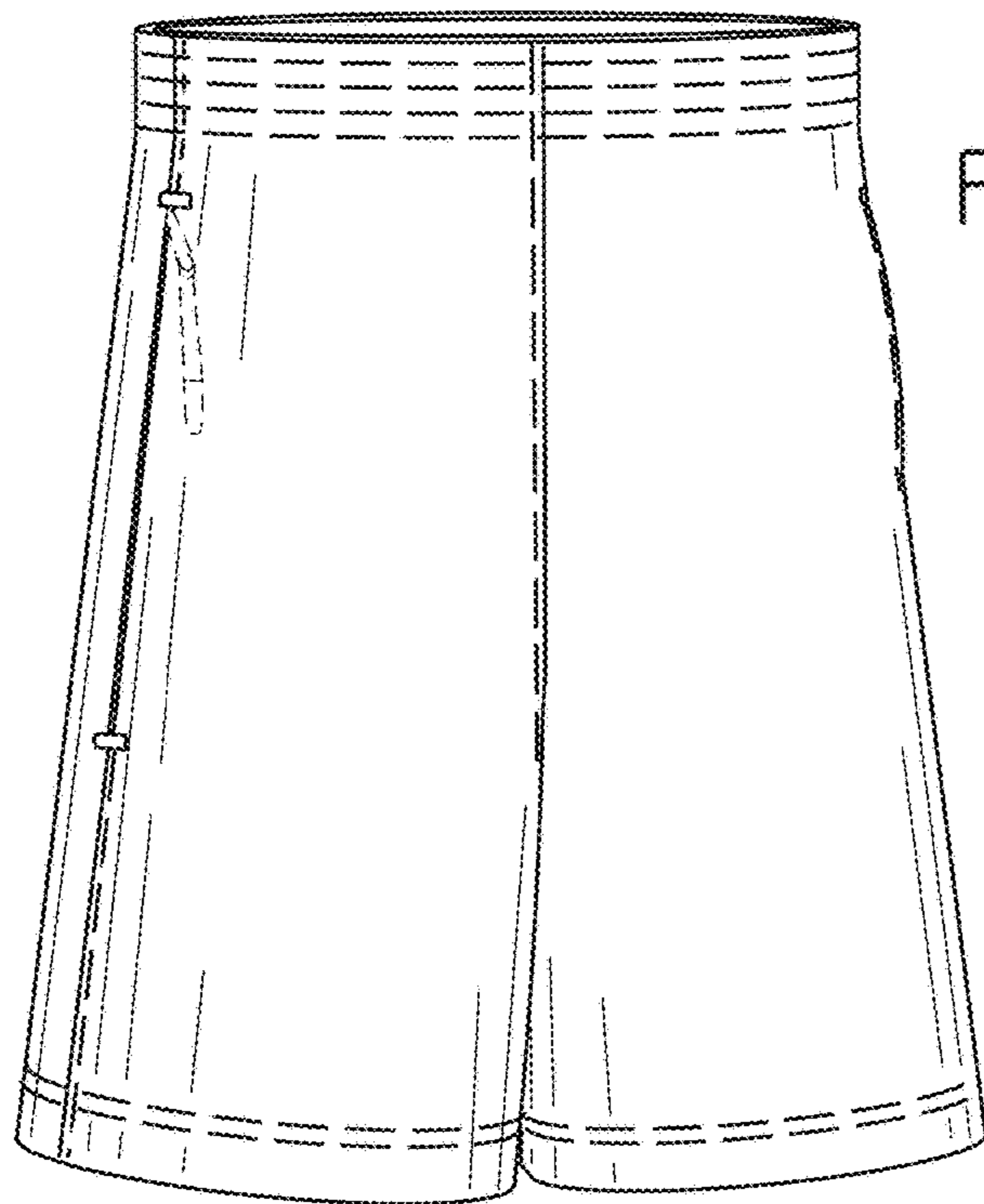
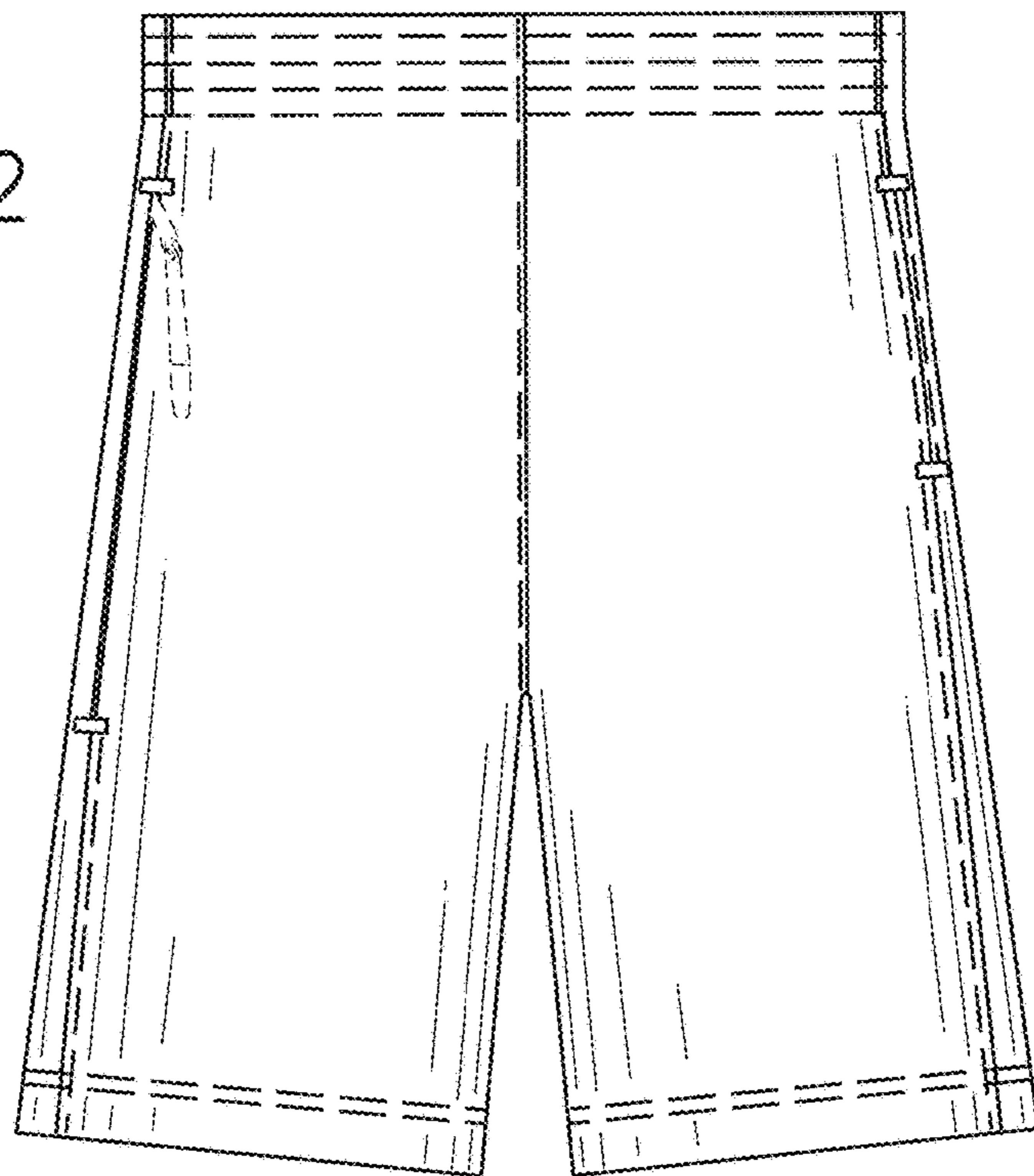
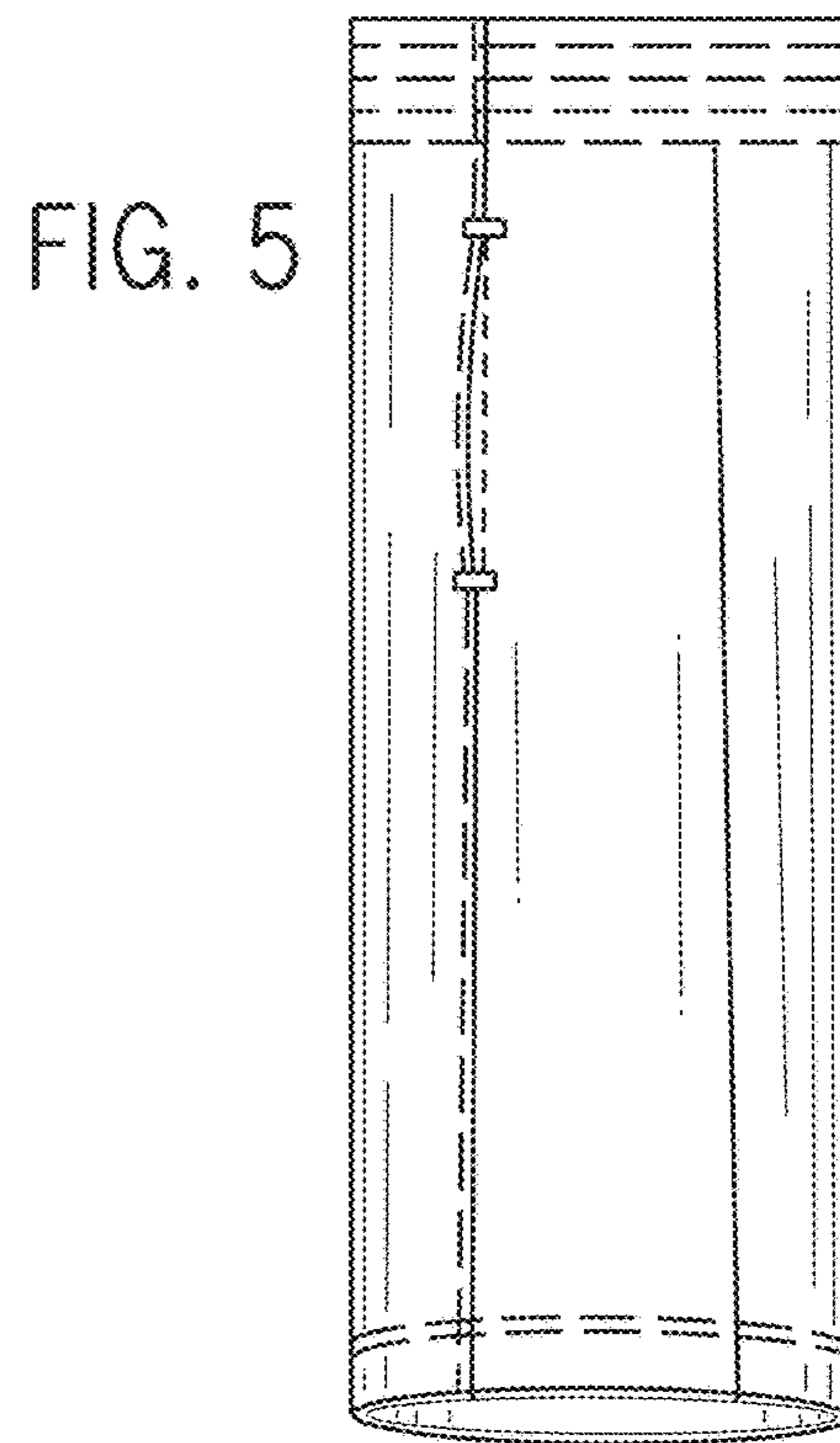
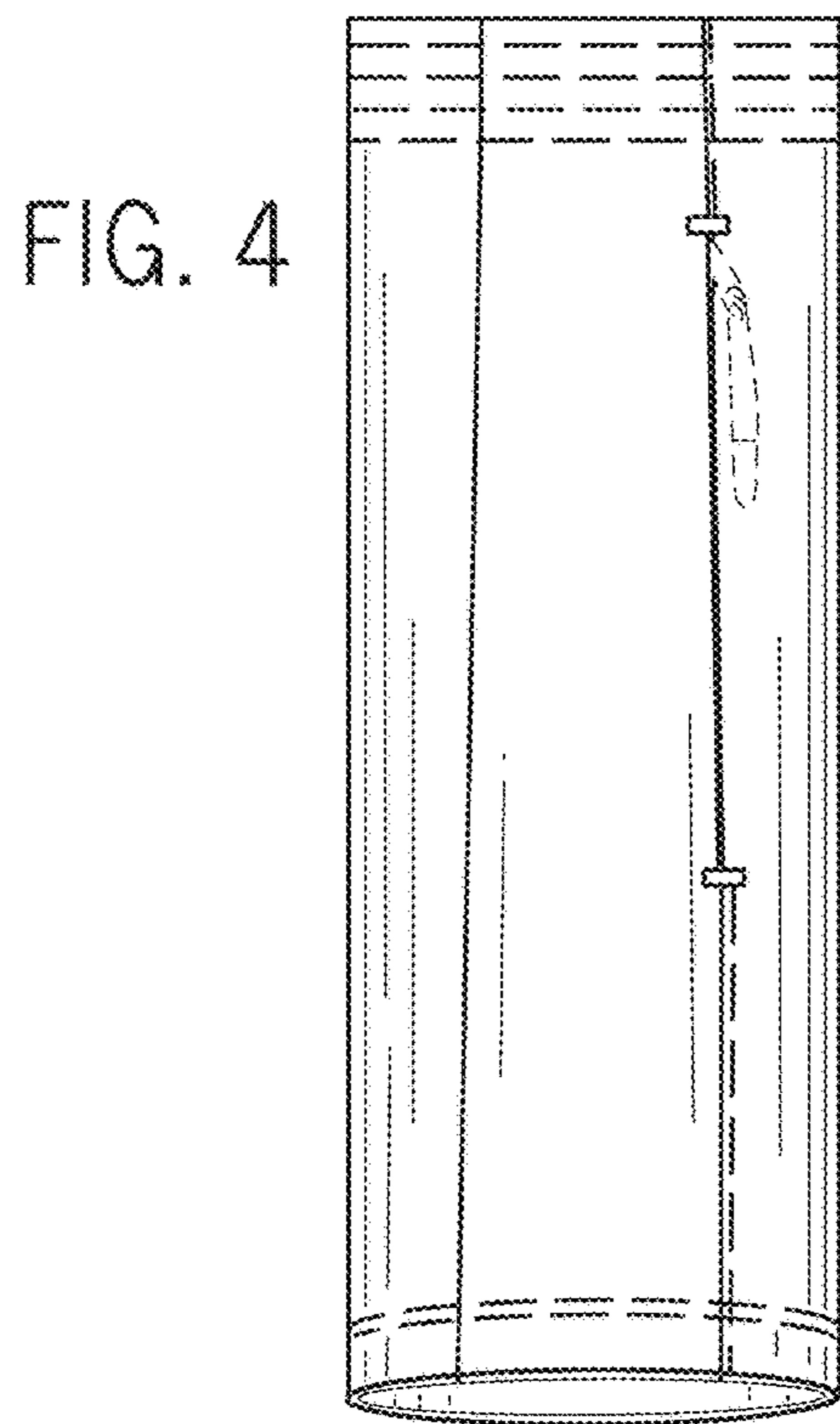
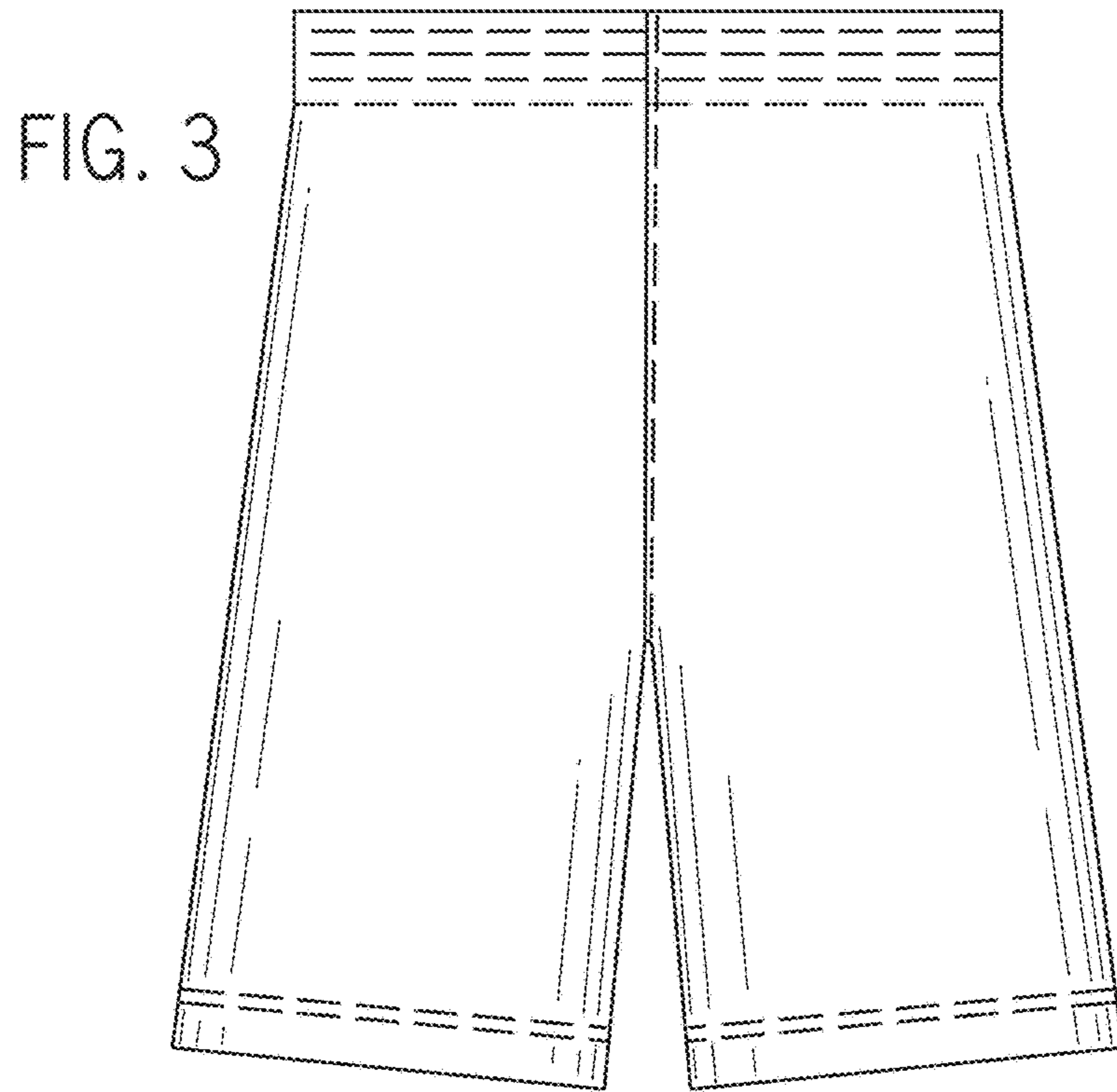


FIG. 1

FIG. 2





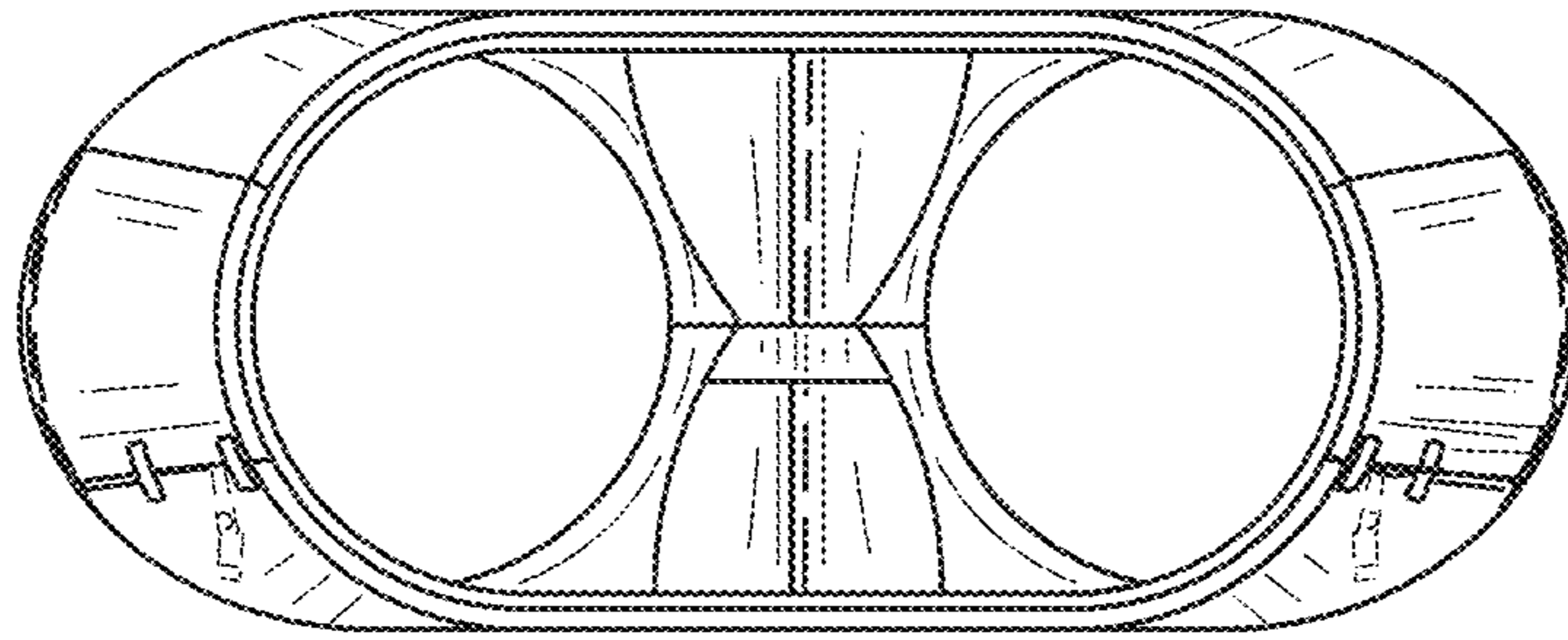


FIG. 6

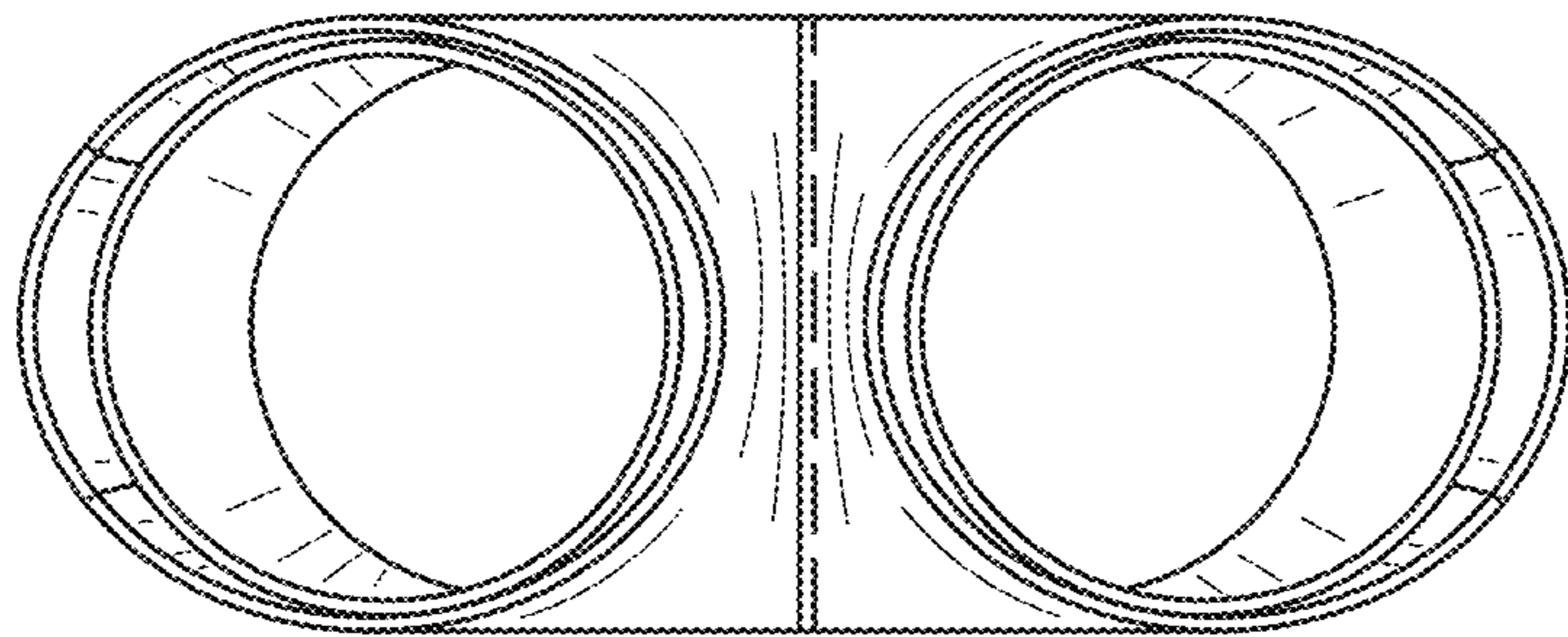


FIG. 7

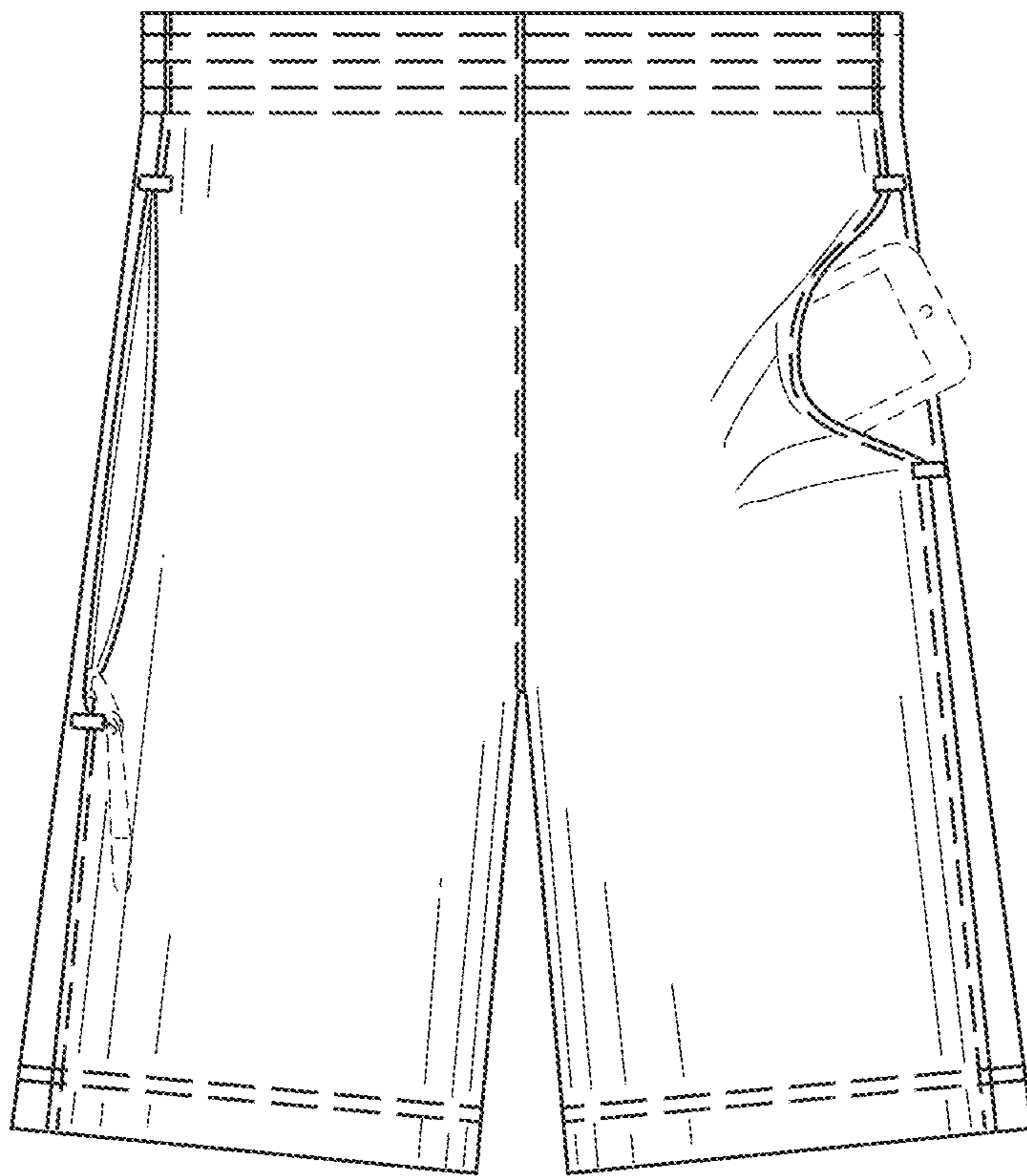


FIG. 8