



US00D821057S

(12) **United States Design Patent** (10) **Patent No.:** **US D821,057 S**
Coates (45) **Date of Patent:** **** Jun. 26, 2018**

(54) **SWADDLE** D504,753 S * 5/2005 Gold D2/719
6,928,674 B2 * 8/2005 Blackburn A41B 13/06
2/69.5
(71) Applicant: **Tailored Technologies, Inc.,** D510,658 S * 10/2005 Coates D3/213
Winston-Salem, NC (US) D518,942 S * 4/2006 Dandrea D2/719
D539,585 S * 4/2007 Vangelder D6/603
(72) Inventor: **Fredrica V. Coates,** Winston-Salem, D613,106 S * 4/2010 Ward D2/719
NC (US) D644,413 S * 9/2011 Keall D2/718
D675,808 S * 2/2013 Sutton D2/719
(73) Assignee: **Tailored Technologies, Inc.,** D690,904 S * 10/2013 Coates D2/719
Winston-Salem, NC (US) D691,781 S * 10/2013 Coates D2/719
D741,568 S * 10/2015 Daugherty D2/719
D751,270 S * 3/2016 White D2/719
(**) Term: **15 Years** 2010/0257653 A1 * 10/2010 Pitts A41B 13/06
2/69.5
(21) Appl. No.: **29/576,803** 2014/0020177 A1 * 1/2014 Coates A41B 13/06
5/494

(22) Filed: **Sep. 7, 2016**
(51) **LOC (11) Cl.** **02-01**
(52) **U.S. Cl.**
USPC **D2/719**
(58) **Field of Classification Search**
USPC D2/719, 718, 700, 728, 823, 824
CPC A41B 13/06; A41B 13/065
See application file for complete search history.

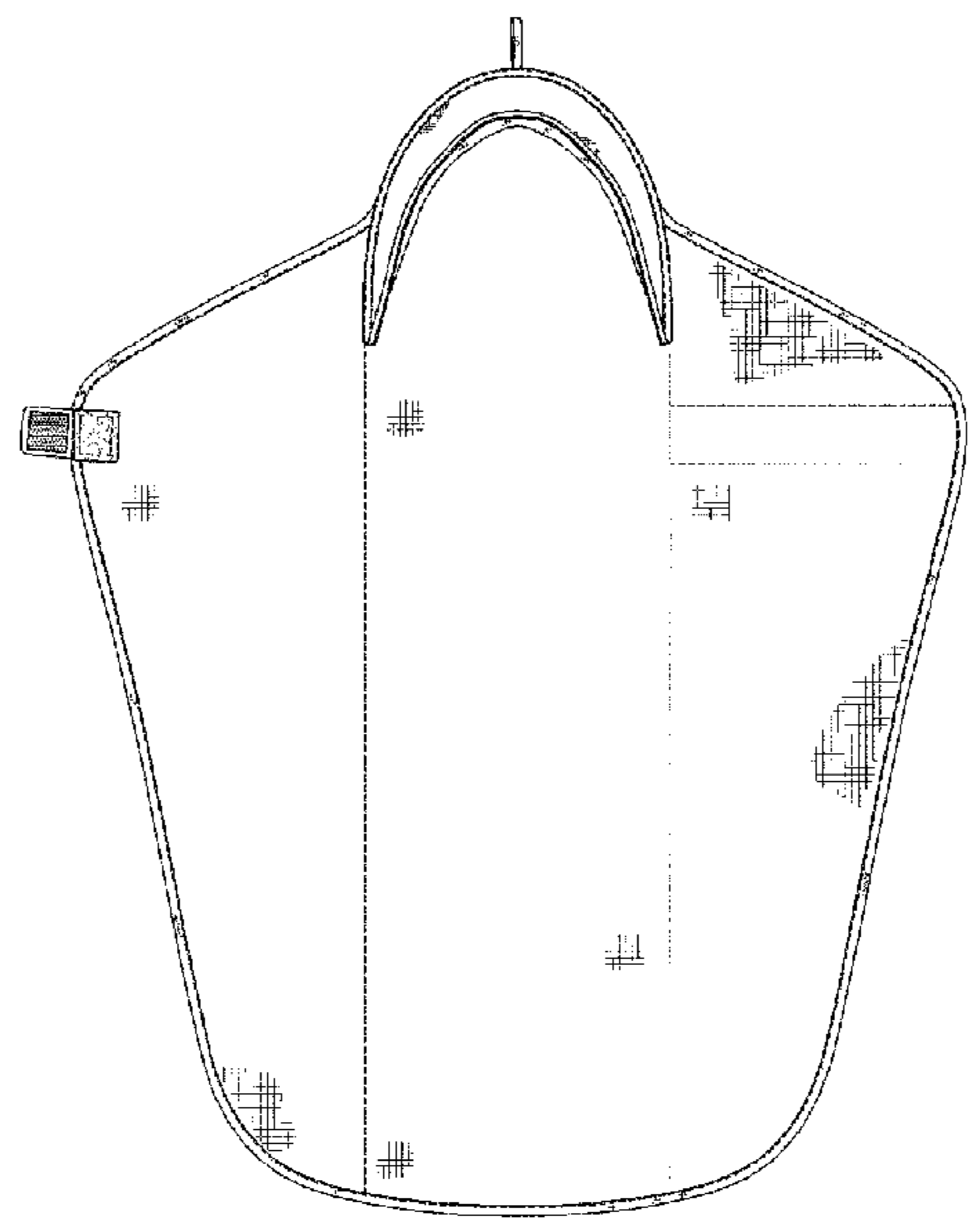
- (56) **References Cited**
U.S. PATENT DOCUMENTS
2,242,641 A * 5/1941 Berger A41B 13/06
2/111
2,675,552 A * 4/1954 Jackson A41B 13/06
2/69.5
3,034,132 A * 5/1962 Landsberger A41B 13/06
2/69.5
5,046,204 A * 9/1991 Mohler A41B 13/06
2/69
D355,068 S * 2/1995 Prendergast D2/719
D395,188 S * 6/1998 Rush D2/719
D448,142 S * 9/2001 Callan D2/719
D448,914 S * 10/2001 Caudill D2/713
D473,037 S * 4/2003 Williams D2/719

* cited by examiner
Primary Examiner — George D. Kirschbaum
Assistant Examiner — Clese Moore, Jr.
(74) *Attorney, Agent, or Firm* — Clements Bernard
Walker PLLC

(57) **CLAIM**
I claim the ornamental design for a swaddle, as shown and
described.

DESCRIPTION
FIG. 1 is a front view of a swaddle showing my new design;
FIG. 2 is a back view thereof;
FIG. 3 is a left side view thereof;
FIG. 4 is a right side view thereof;
FIG. 5 is a top view thereof; and,
FIG. 6 is a bottom view thereof.
The broken lines shown in the drawings illustrate stitching
and form no part of the claimed design.

1 Claim, 4 Drawing Sheets



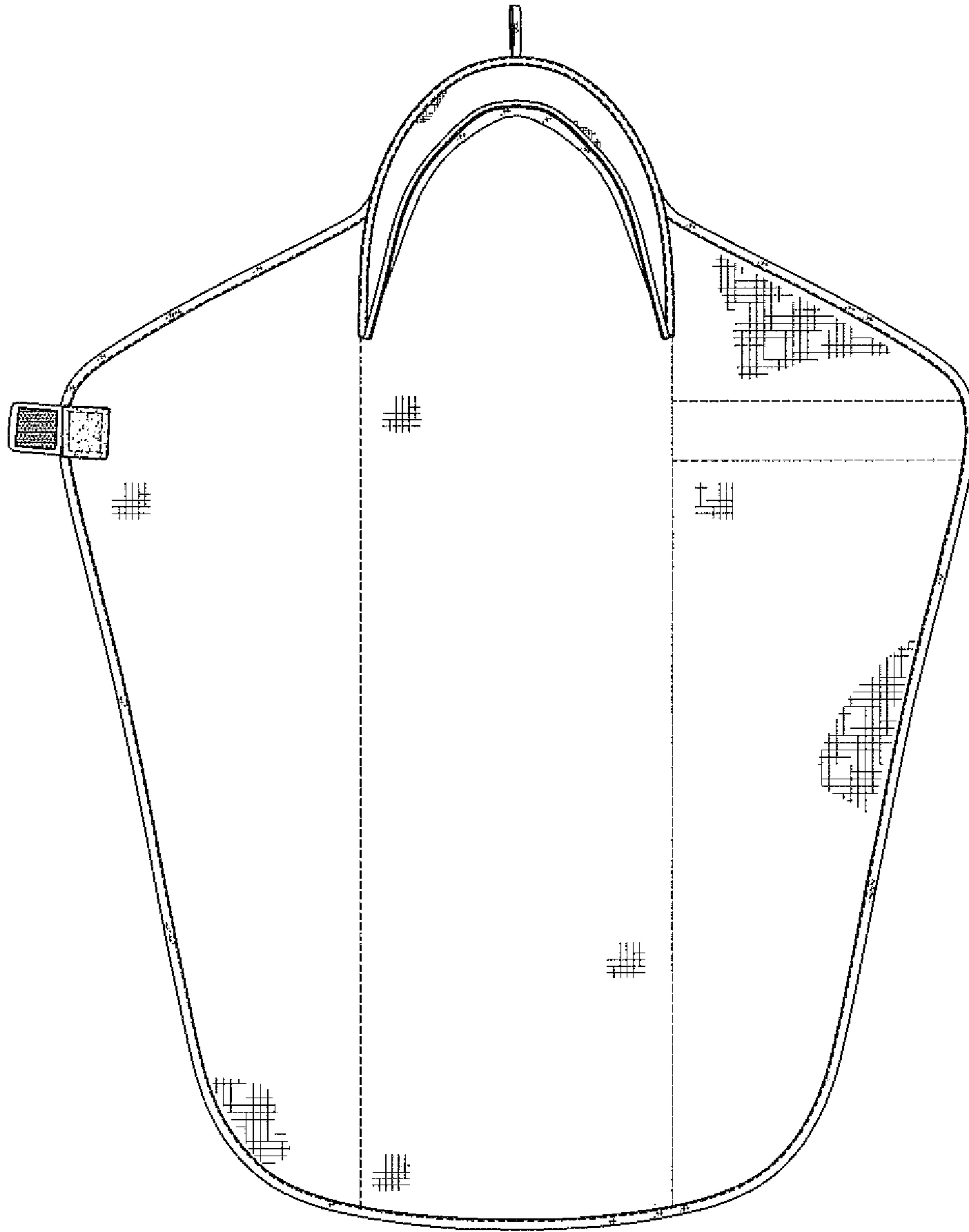


FIG. 1

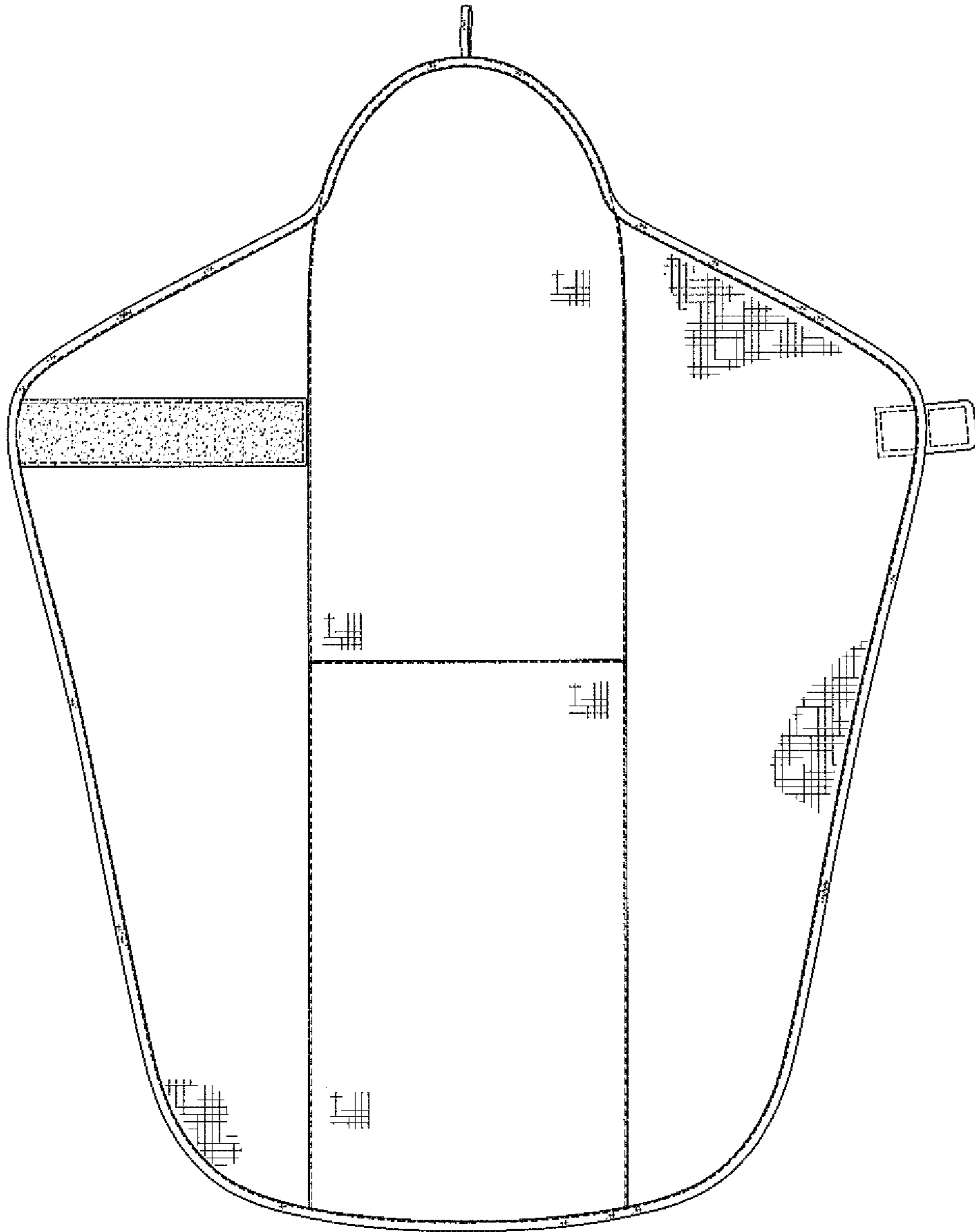


FIG. 2

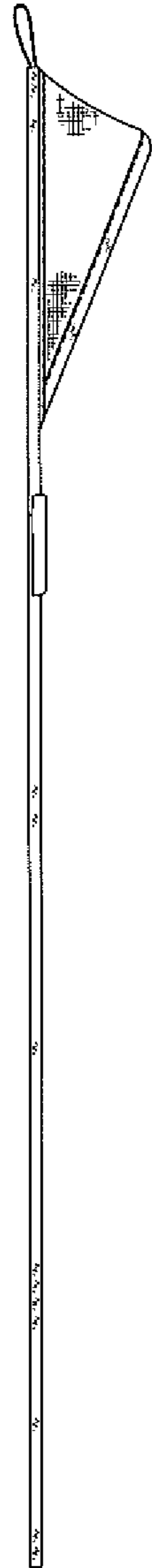


FIG. 3

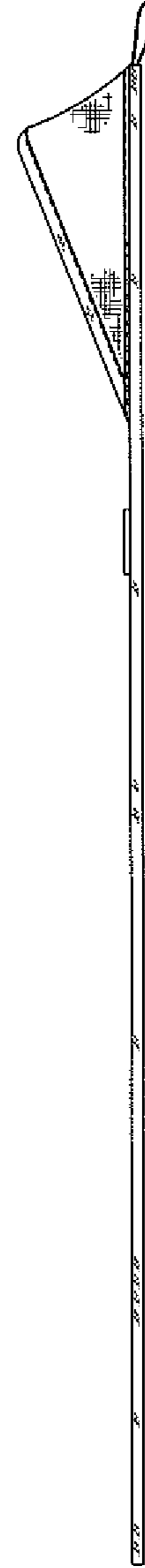


FIG. 4

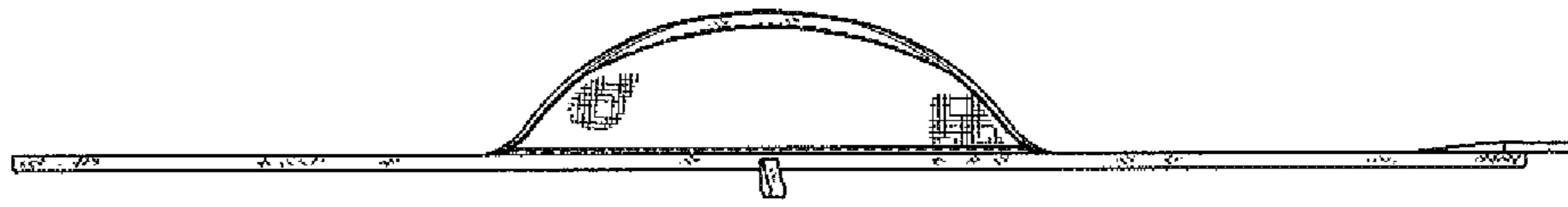


FIG. 5

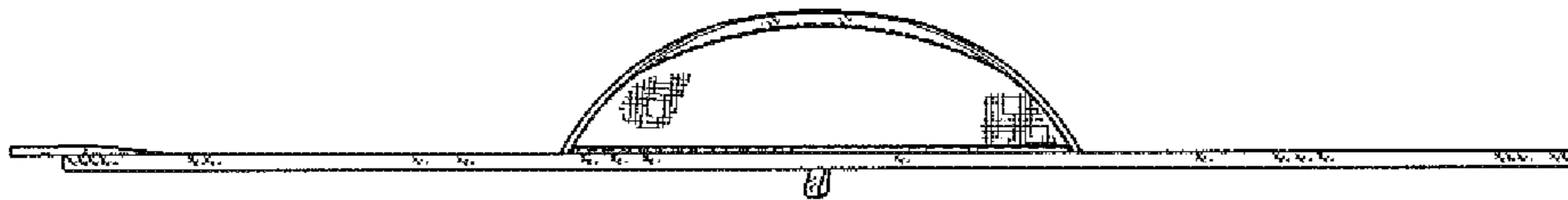


FIG. 6