



US00D821053S

(12) **United States Design Patent**
Grinshpan

(10) **Patent No.:** **US D821,053 S**

(45) **Date of Patent:** **** Jun. 19, 2018**

(54) **RUBBER BUMPER**

(71) Applicant: **POLYCART TECHNOLOGIES LTD., Shlomi (IL)**

(72) Inventor: **Menachem Grinshpan, Hadera (IL)**

(73) Assignee: **POLYCART TECHNOLOGIES LTD., Shlomi (IL)**

(**) Term: **15 Years**

(21) Appl. No.: **29/554,148**

(22) Filed: **Feb. 9, 2016**

(30) **Foreign Application Priority Data**

Aug. 9, 2015 (IL) 57306

(51) **LOC (11) Cl.** **12-02**

(52) **U.S. Cl.**
USPC **D34/27**

(58) **Field of Classification Search**
USPC D34/27; 280/33.991, 33.992, 33.993,
280/33.994, 33.995

CPC B62B 5/0006
See application file for complete search history.

(56) **References Cited**

U.S. PATENT DOCUMENTS

D157,586 S * 3/1950 Grumbach 293/117
3,019,953 A * 2/1962 Umanoff B62B 3/1468
224/411

5,131,669 A * 7/1992 Kinnamon B62B 5/0006
280/33.992
5,630,600 A * 5/1997 Pasillas B62B 5/049
188/19
7,225,903 B2 * 6/2007 Nebolon B62B 3/14
188/19
9,414,677 B2 * 8/2016 Sahm, III A47B 95/043
9,434,524 B2 * 9/2016 Kindig B65D 81/053

* cited by examiner

Primary Examiner — Cynthia Ramirez

(74) *Attorney, Agent, or Firm* — Mark M. Friedman

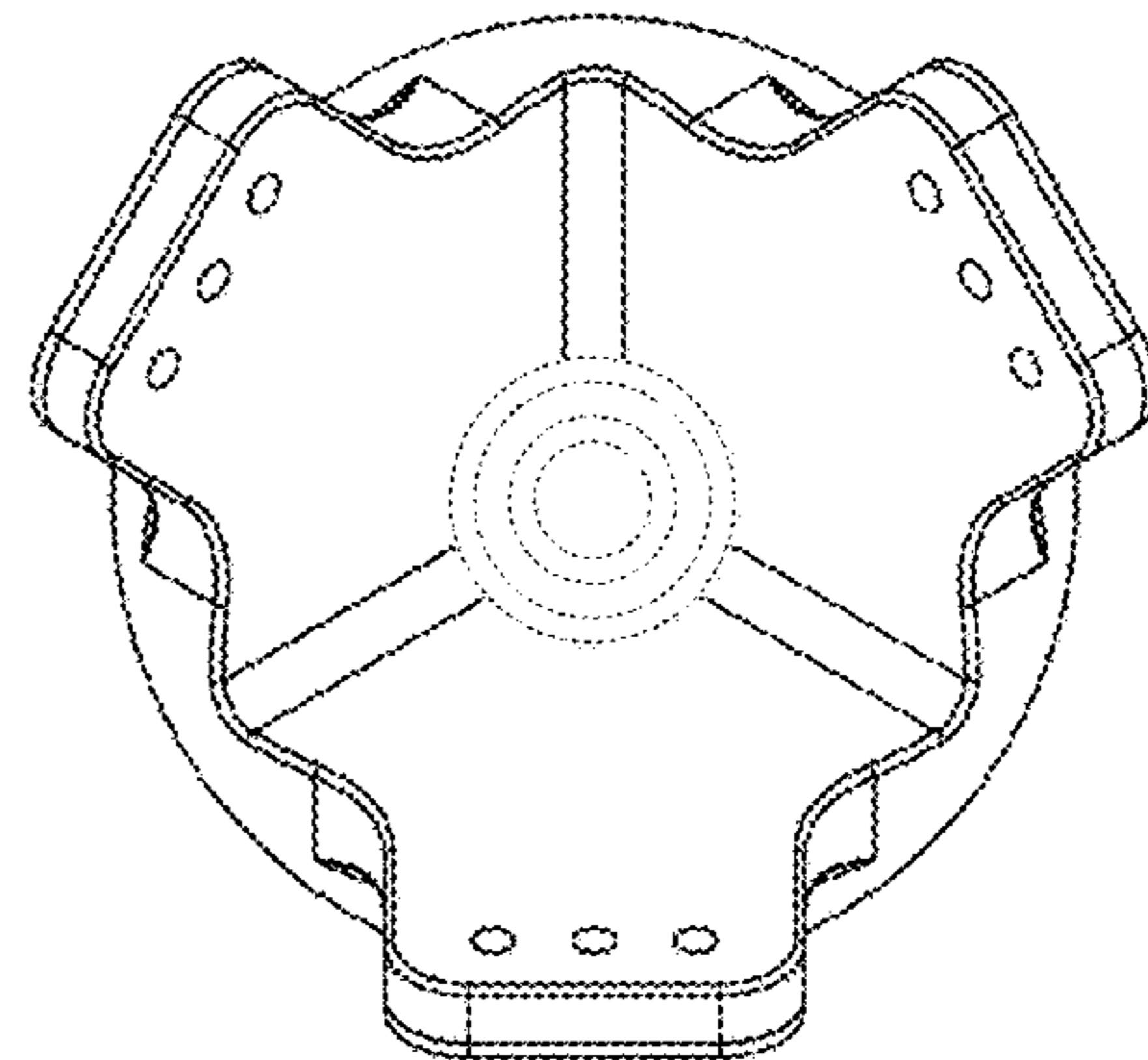
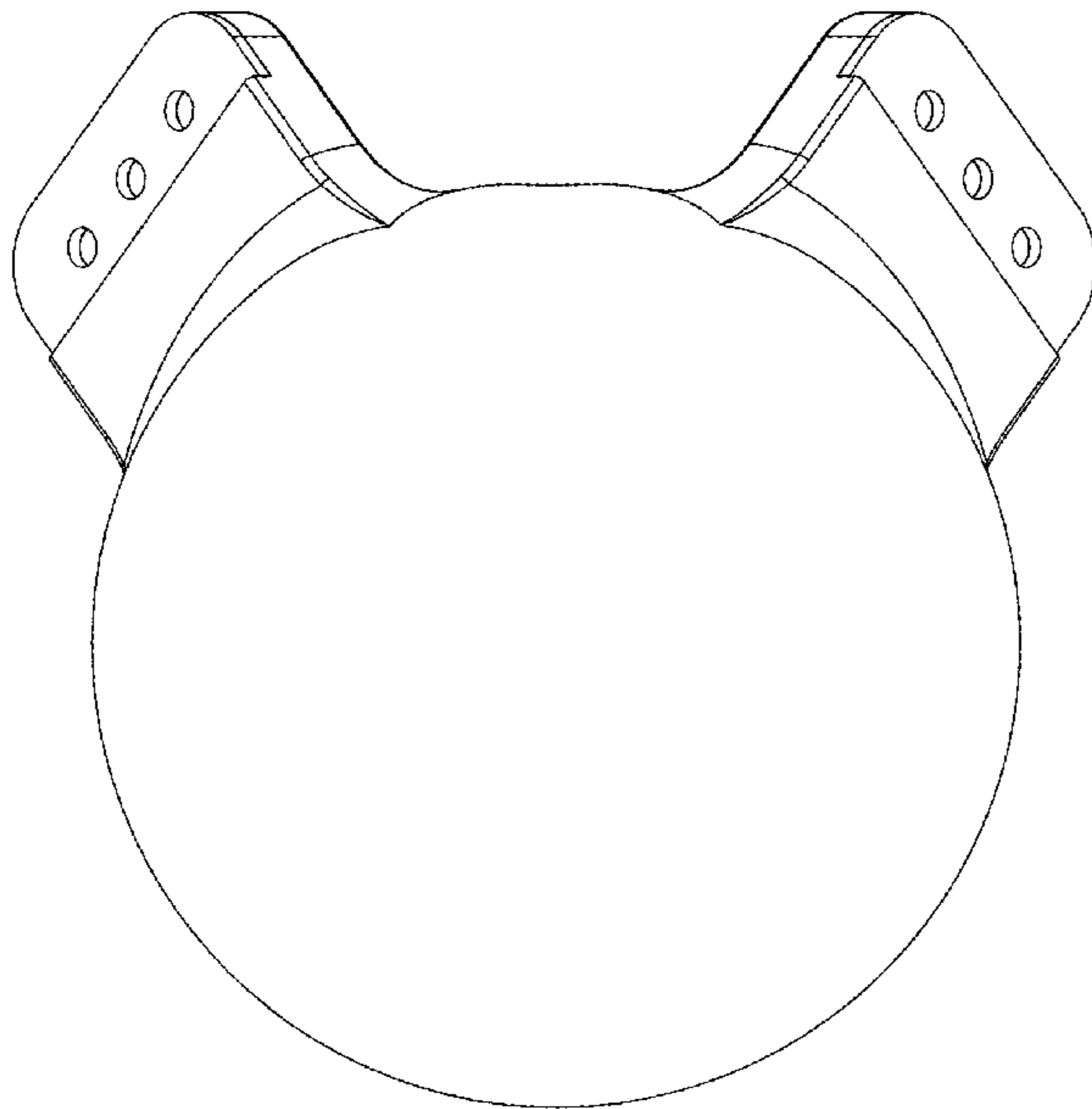
(57) **CLAIM**

The ornamental design for the rubber bumper, as shown and described.

DESCRIPTION

FIG. 1 is a front view of a rubber bumper showing my design;
FIG. 2 is a right side view thereof;
FIG. 3 is a left side view thereof;
FIG. 4 is a top view thereof;
FIG. 5 is a perspective view thereof; and,
FIG. 6 is a bottom plan view thereof.
The broken lines shown in FIG. 6 are for the purpose of illustrating portions of the rubber bumper and form no part of the claimed design.

1 Claim, 6 Drawing Sheets



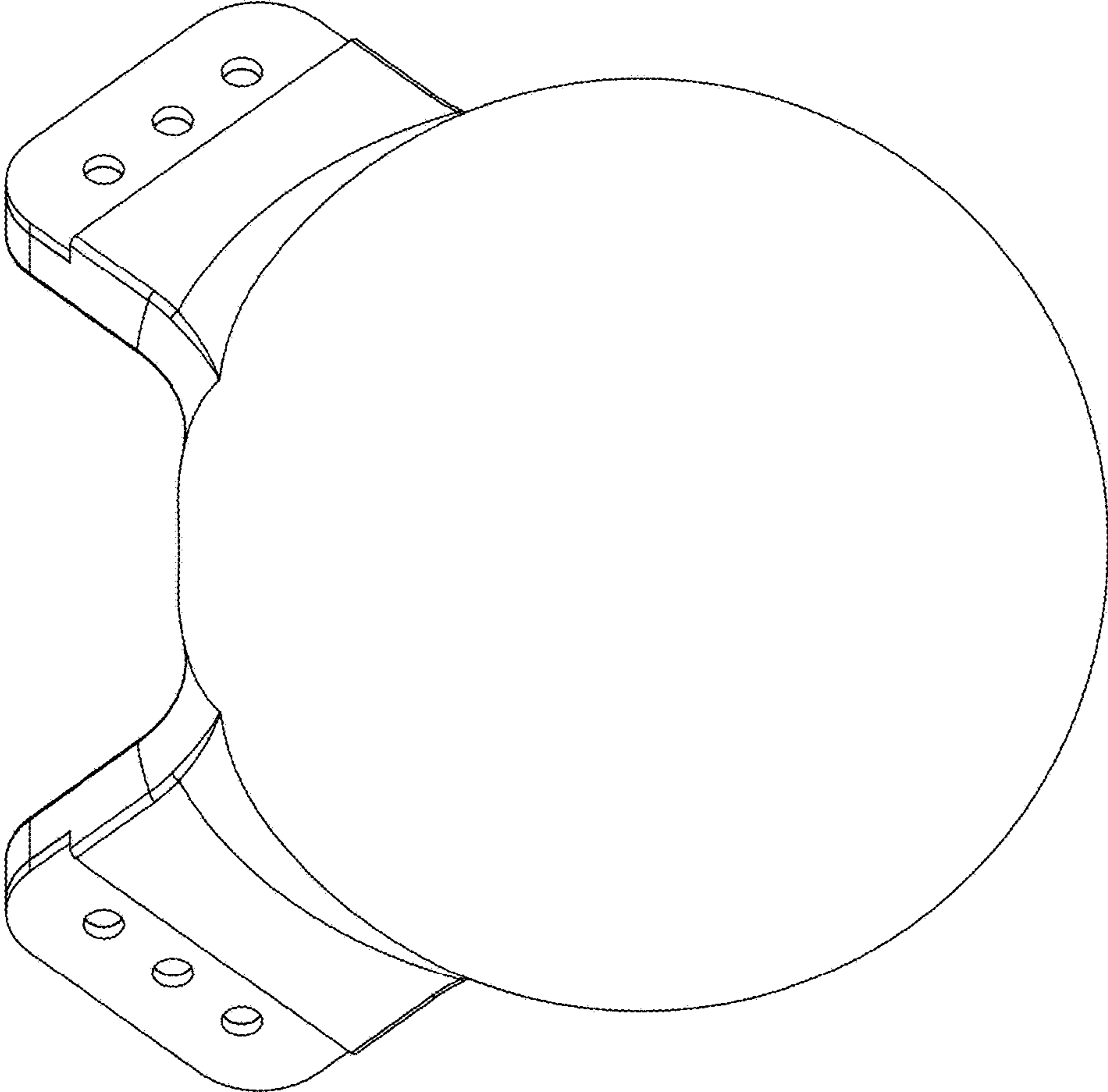


Fig. 1

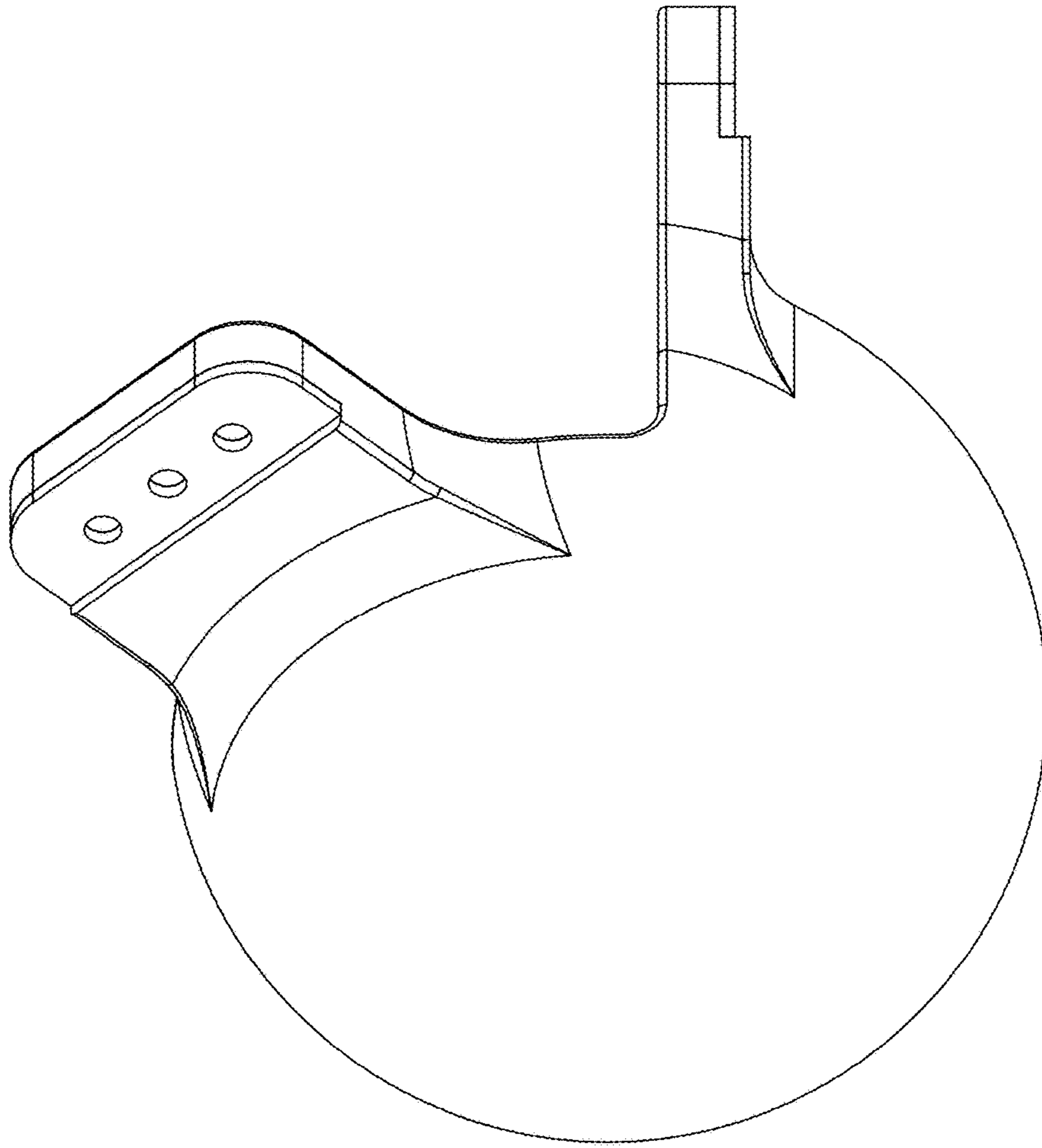


Fig. 2

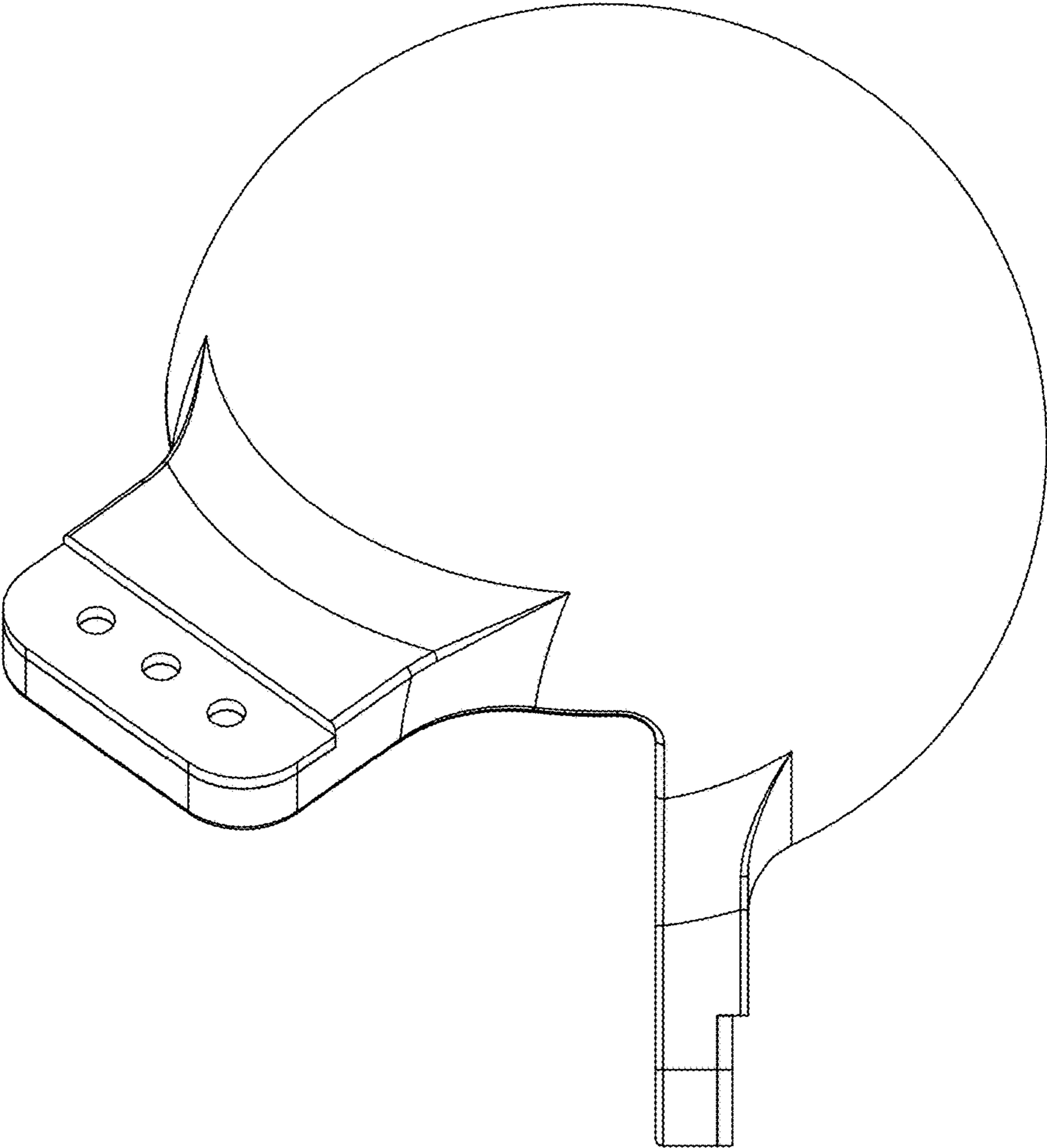


Fig. 3

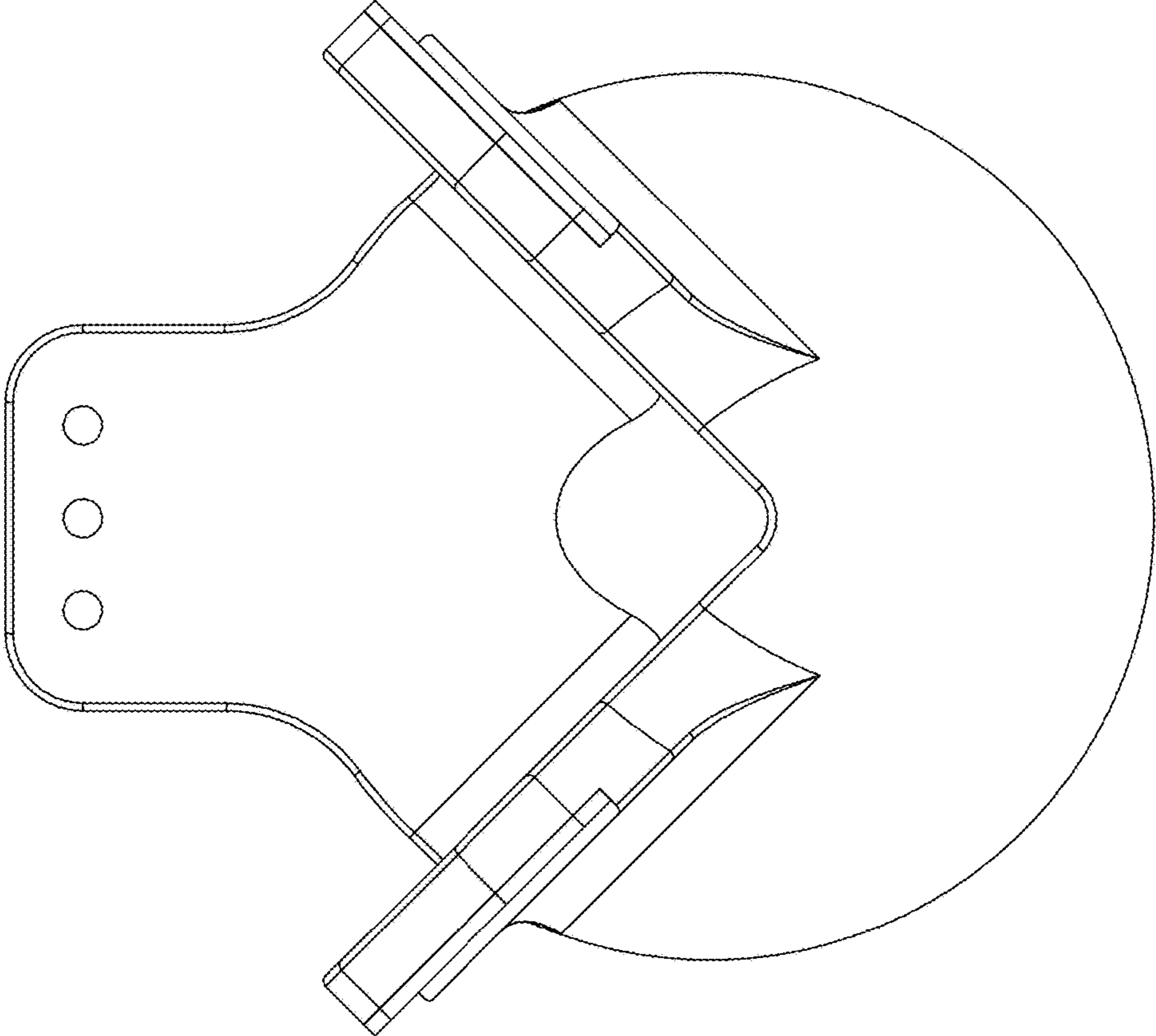


Fig. 4

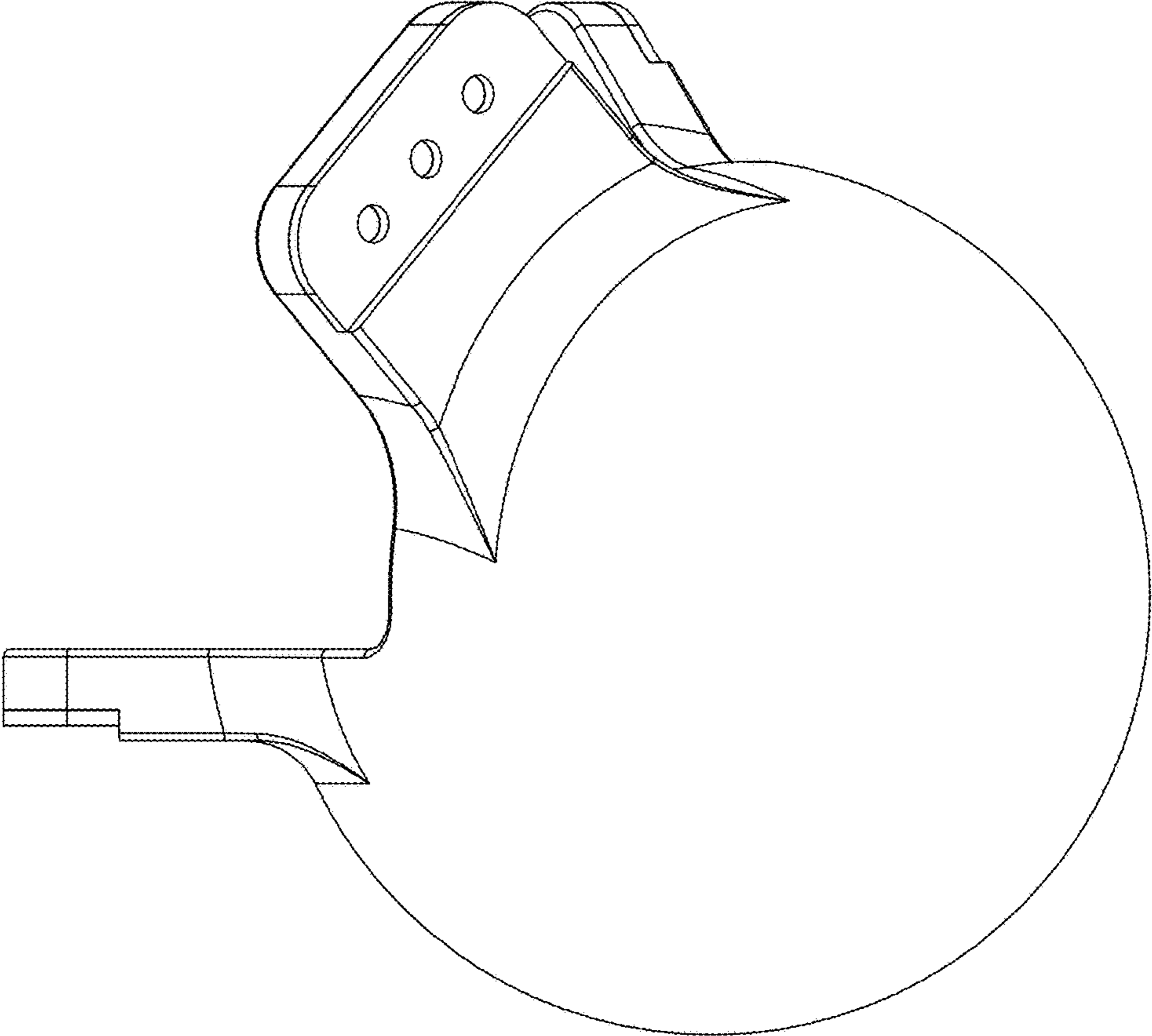


Fig. 5

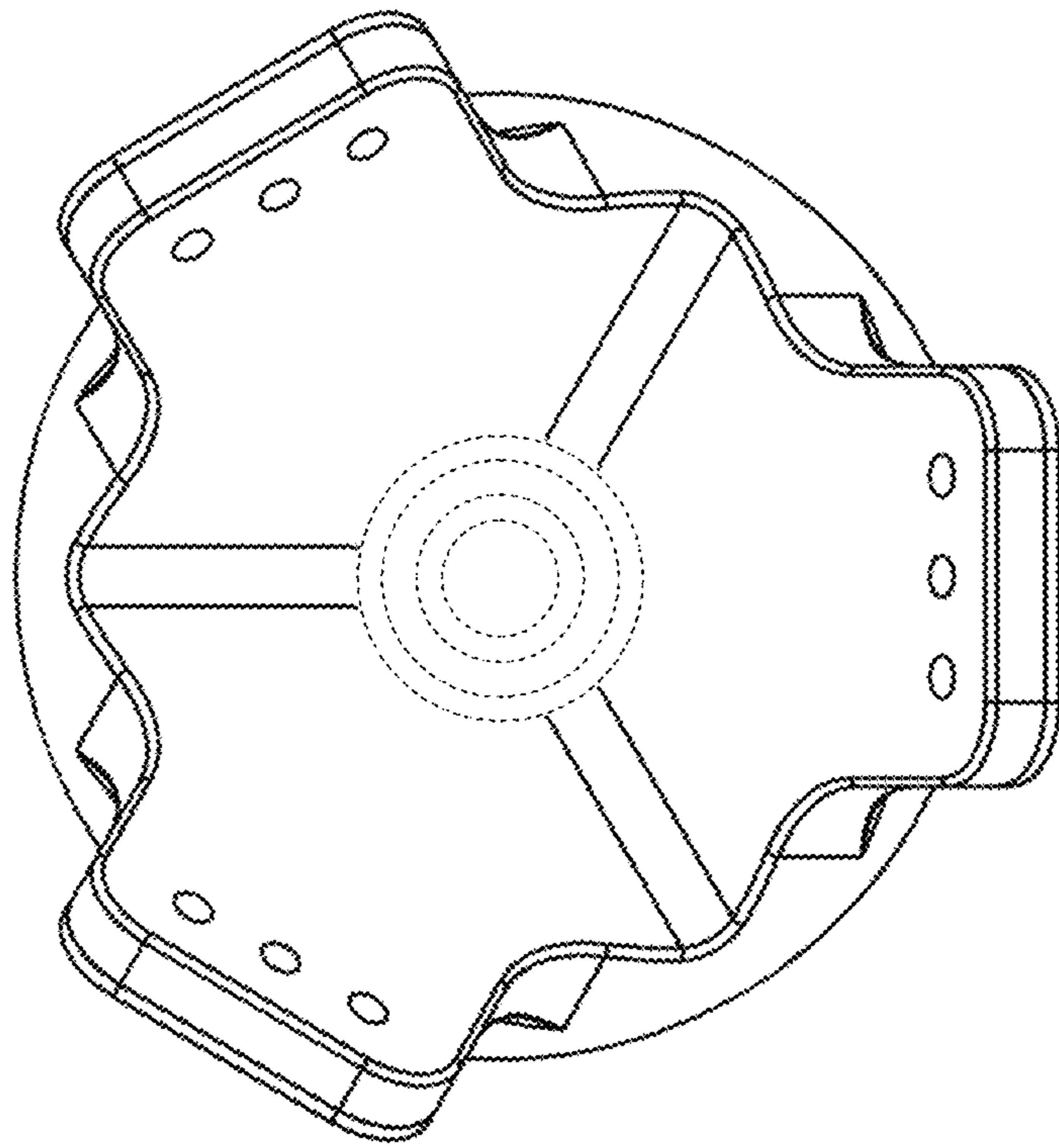


Fig. 6