



US00D821051S

(12) **United States Design Patent** (10) **Patent No.:** **US D821,051 S**
Bohn et al. (45) **Date of Patent:** **** *Jun. 19, 2018**

(54) **MOBILE SINGLE-DOOR FOOD CABINET**
(71) Applicant: **Carter-Hoffmann LLC**, Mundelein, IL (US)
(72) Inventors: **Robert Cooper Bohn**, Arlington Heights, IL (US); **Robert C. Fortmann**, Grayslake, IL (US)
(73) Assignee: **Carter-Hoffman LLC**, Mundelein, IL (US)

2008/0213449 A1* 9/2008 Wisner A47J 39/006
426/520
2009/0249963 A1* 10/2009 Linskens A47F 3/001
99/483
2010/0288748 A1* 11/2010 Fortmann F24C 15/166
219/385
2014/0227402 A1* 8/2014 Tan A47J 39/006
426/231

(Continued)

(*) Notice: This patent is subject to a terminal disclaimer.
(**) Term: **15 Years**

OTHER PUBLICATIONS
Undated: "Document evidences products sold in the U.S. before the filing date of the subject application"—"*hotLOGIX Holding Cabinets*," Carter-Hoffmann—<https://www.carter-hoffmann.com>, Form HL1212 (4 pgs).

(Continued)

(21) Appl. No.: **29/593,095**
(22) Filed: **Feb. 6, 2017**
(51) **LOC (11) Cl.** **12-02**
(52) **U.S. Cl.**
USPC **D34/19**
(58) **Field of Classification Search**
USPC D34/12, 14, 17, 19, 20, 21, 25, 27;
312/128, 249.8, 198, 200; D6/661;
126/337 R, 369, 37 R; 165/918, 919;
99/483, 331; 219/386, 385; D23/356
CPC A47J 39/006; A47J 39/00; A47J 27/16;
F25D 23/12
See application file for complete search history.

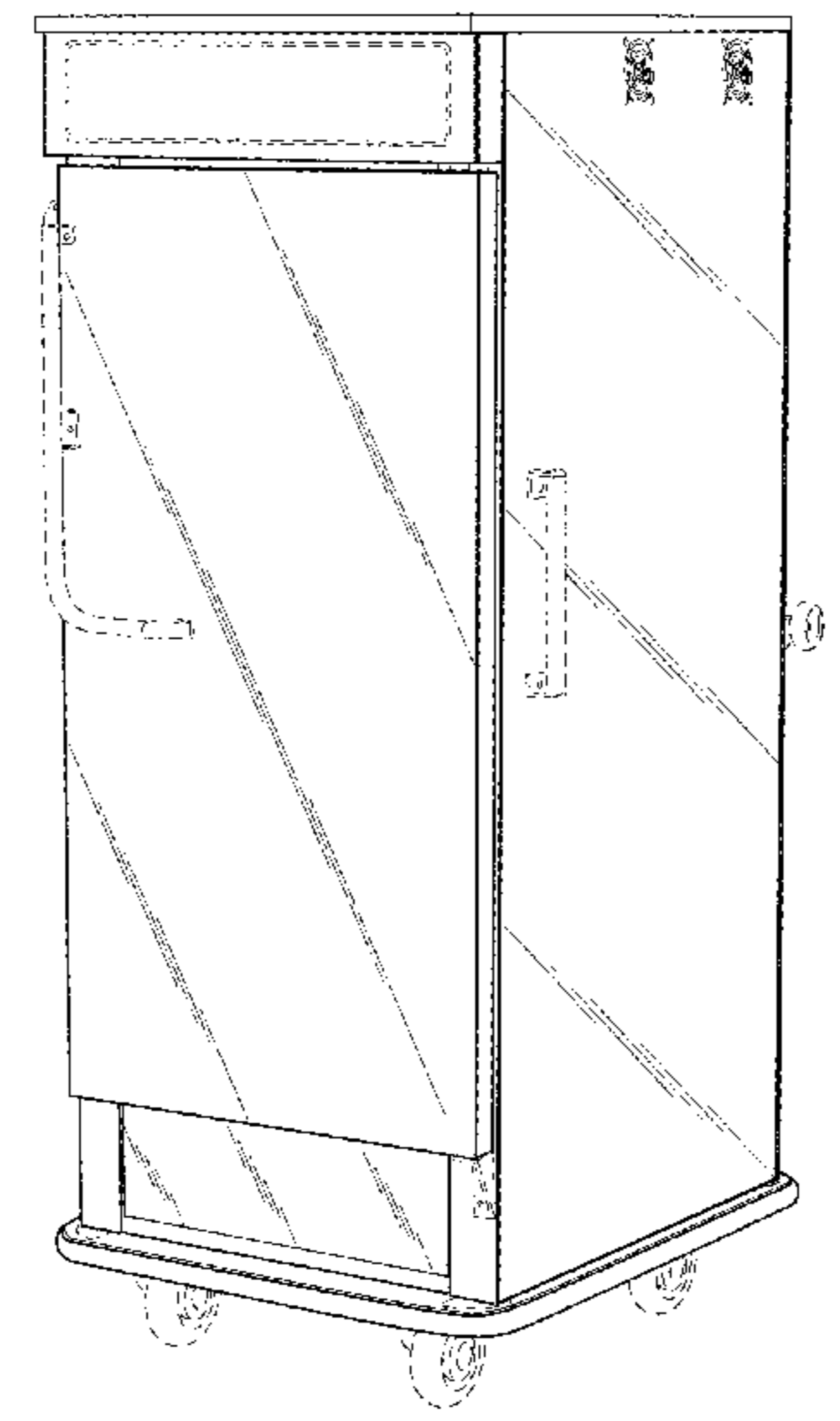
Primary Examiner — Cynthia Ramirez
Assistant Examiner — Gino Colan
(74) *Attorney, Agent, or Firm* — Brinks Gilson & Lione

(57) **CLAIM**
We claim the ornamental design for a mobile single-door food cabinet, as shown and described.

DESCRIPTION
FIG. 1 is a perspective view of a mobile single-door food cabinet showing our new design;
FIG. 2 is a front elevation view thereof;
FIG. 3 is a right side elevation view thereof;
FIG. 4 is a left side elevation view thereof;
FIG. 5 is a top plan view thereof;
FIG. 6 is a rear elevation view thereof;
FIG. 7 is a bottom plan view thereof; and,
FIG. 8 is a bottom perspective view thereof.
Broken lines in the drawings are for the purpose of illustrating presently unclaimed portions of a mobile single-door food cabinet and form no part of the claimed design.

1 Claim, 8 Drawing Sheets

(56) **References Cited**
U.S. PATENT DOCUMENTS
4,224,862 A * 9/1980 Liebermann A47J 39/006
99/331
5,404,935 A * 4/1995 Liebermann A21L 31/10
165/48.1
D408,108 S * 4/1999 Clegg D34/21
D435,096 S * 12/2000 Meeks D23/356
D767,230 S * 9/2016 Olson D34/19



(56)

References Cited

U.S. PATENT DOCUMENTS

2015/0230479 A1* 8/2015 Foda A21B 1/10
165/48.1

OTHER PUBLICATIONS

Undated: "Document evidences products sold in the U.S. before the filing date of the subject application"—"*Humiport Humidified Transport Cart*," Carter-Hoffmann—<https://www.carter-hoffmann.com>, Form HTU1015 (2 pgs).

Undated: "Document evidences products sold in the U.S. before the filing date of the subject application"—"*Cool Moves*," Carter-Hoffmann—<https://www.carter-hoffmann.com>, Form RF0516 (2 pgs).

Undated: "Document evidences products sold in the U.S. before the filing date of the subject application"—"*VaporPro*," Carter-Hoffmann—<https://www.carter-hoffmann.com>, Form VP0215 (2 pgs).

Undated: "Document evidences products sold in the U.S. before the filing date of the subject application"—"*clearLOGIX*," Carter-Hoffmann—<https://www.carter-hoffmann.com>, Form CL0117 (2 pgs).

Undated: "Document evidences products sold in the U.S. before the filing date of the subject application"—"*Slow Cook & Hold Cabinets*," Carter-Hoffmann—<https://www.carter-hoffmann.com>, Form CH0915 (2 pgs).

* cited by examiner

Fig. 1

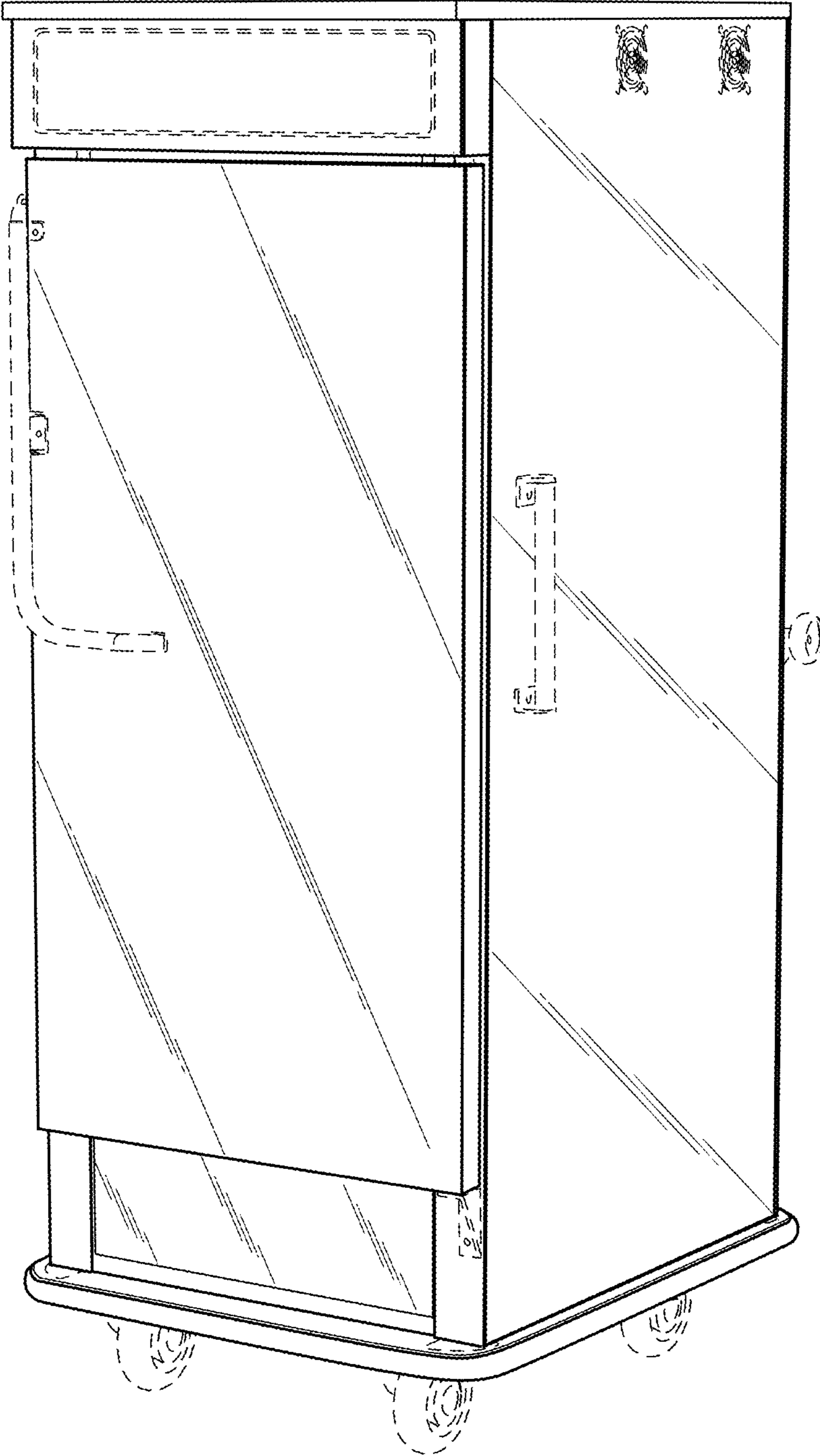


Fig. 2

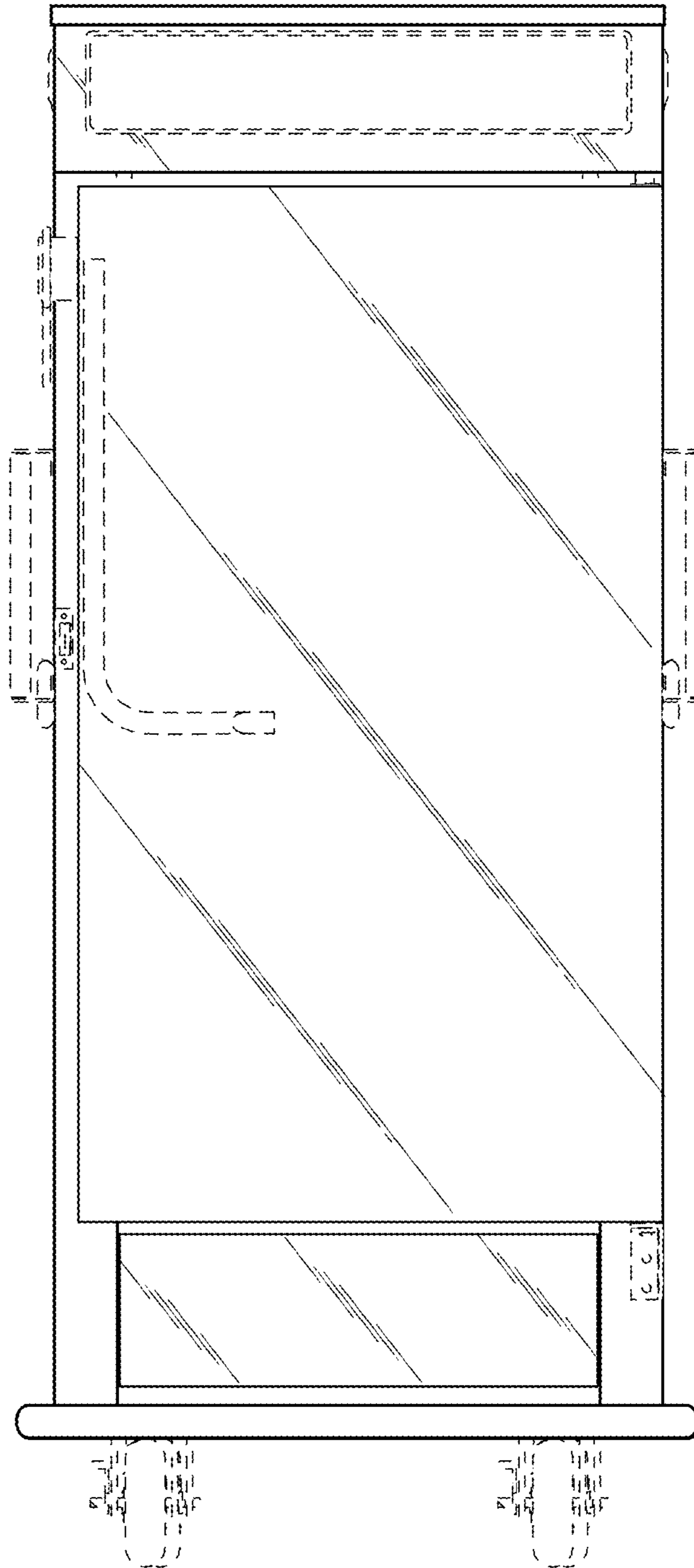


Fig. 3

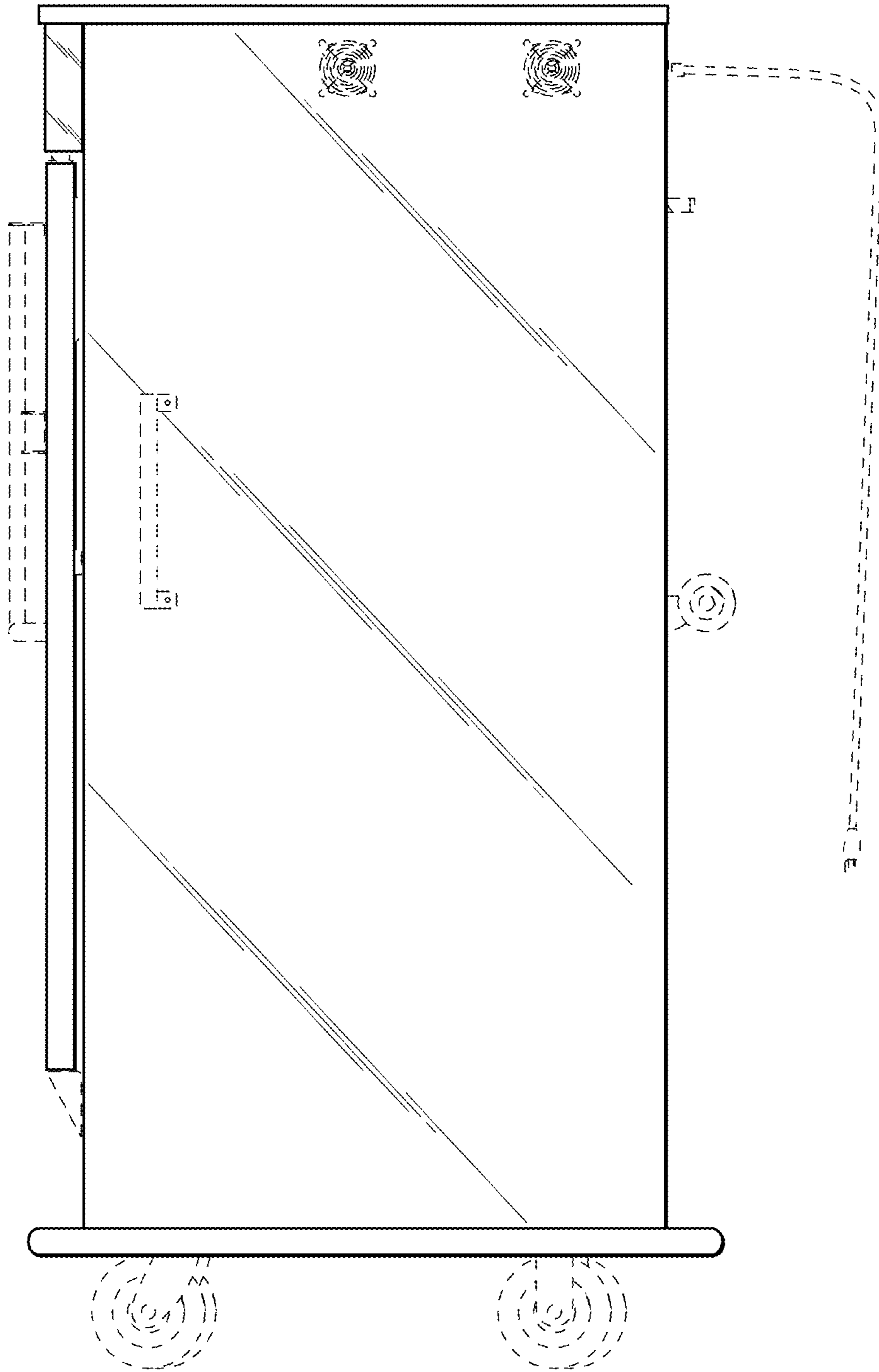


Fig. 4

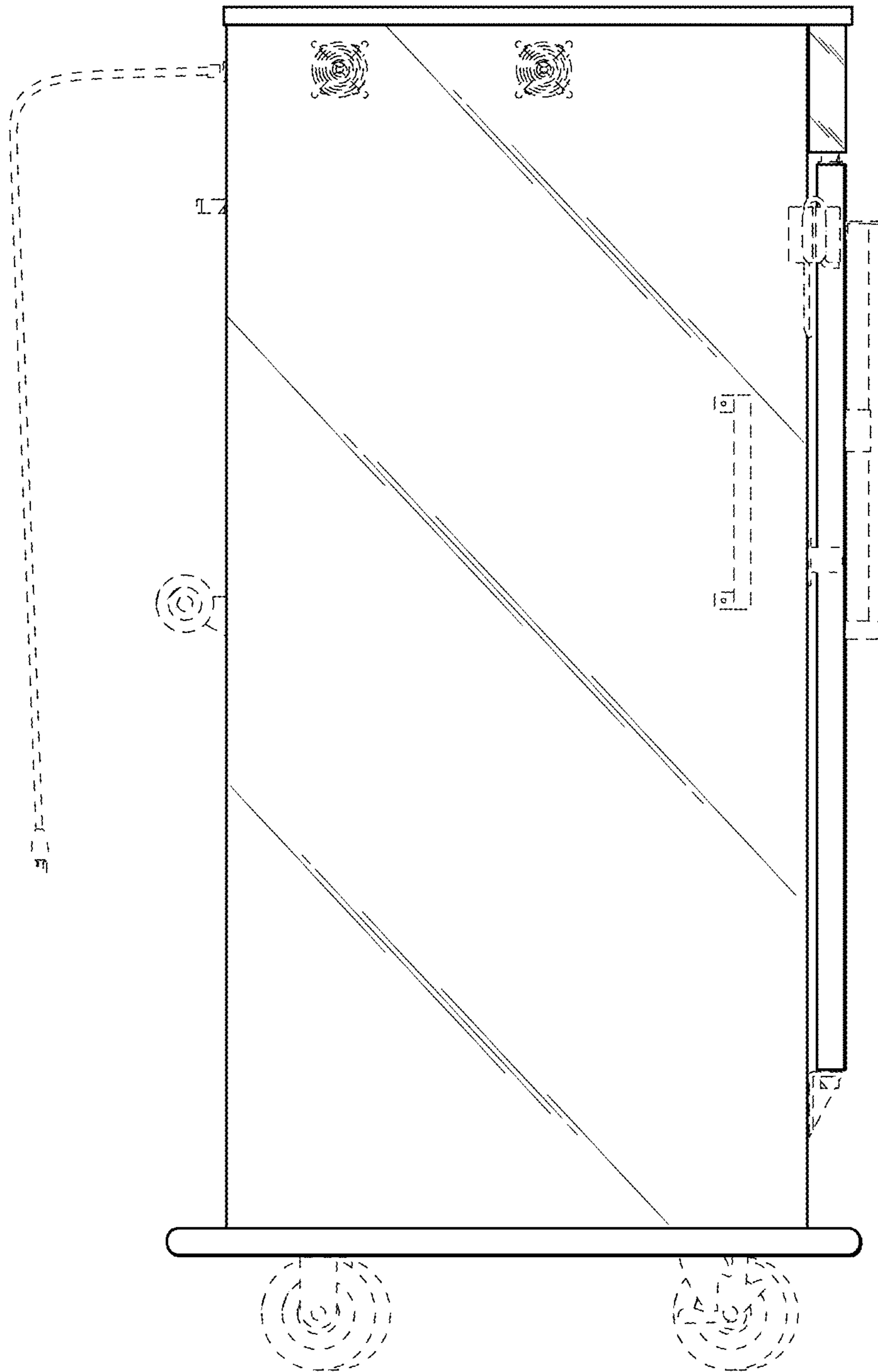


Fig. 5

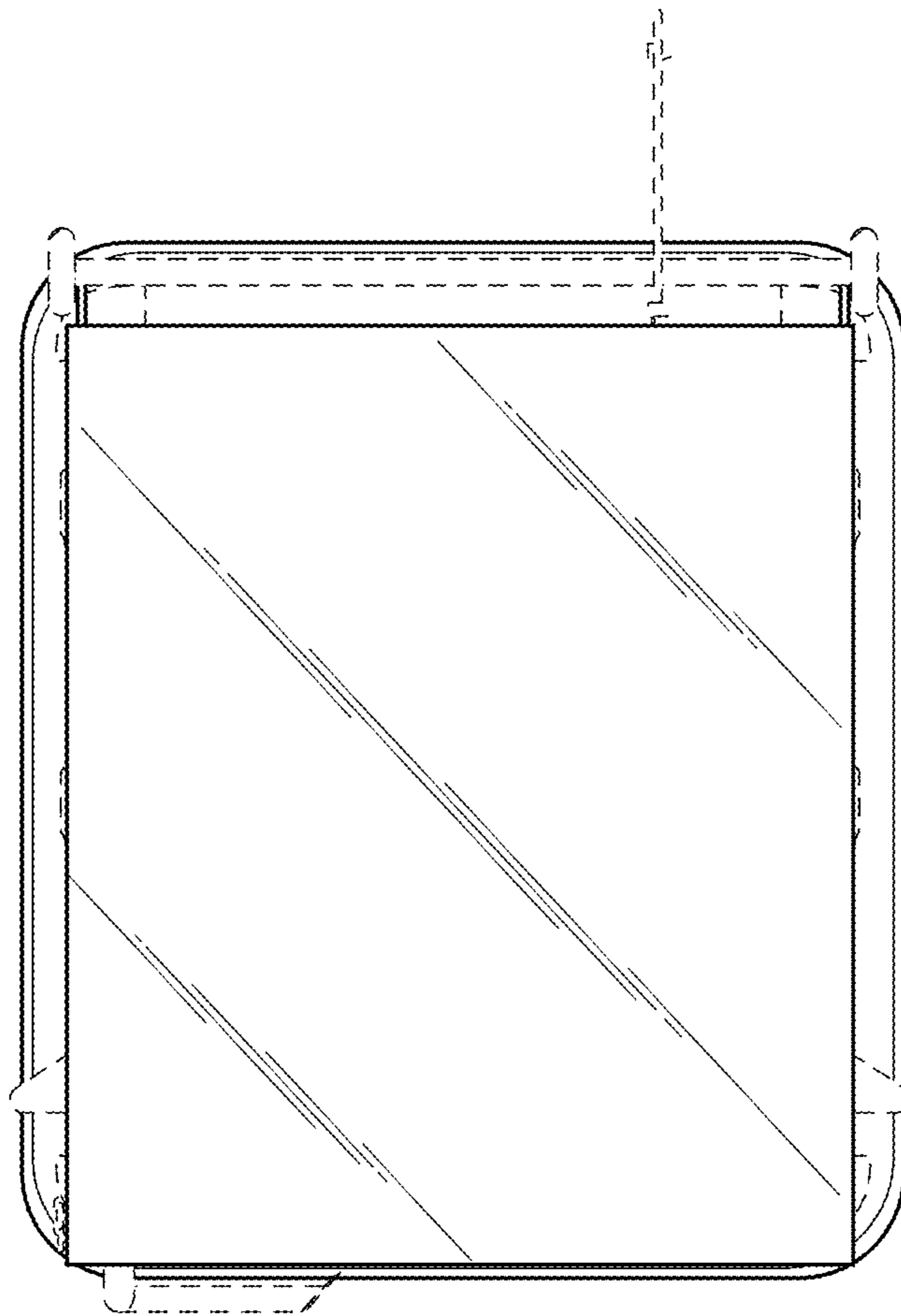


Fig. 6

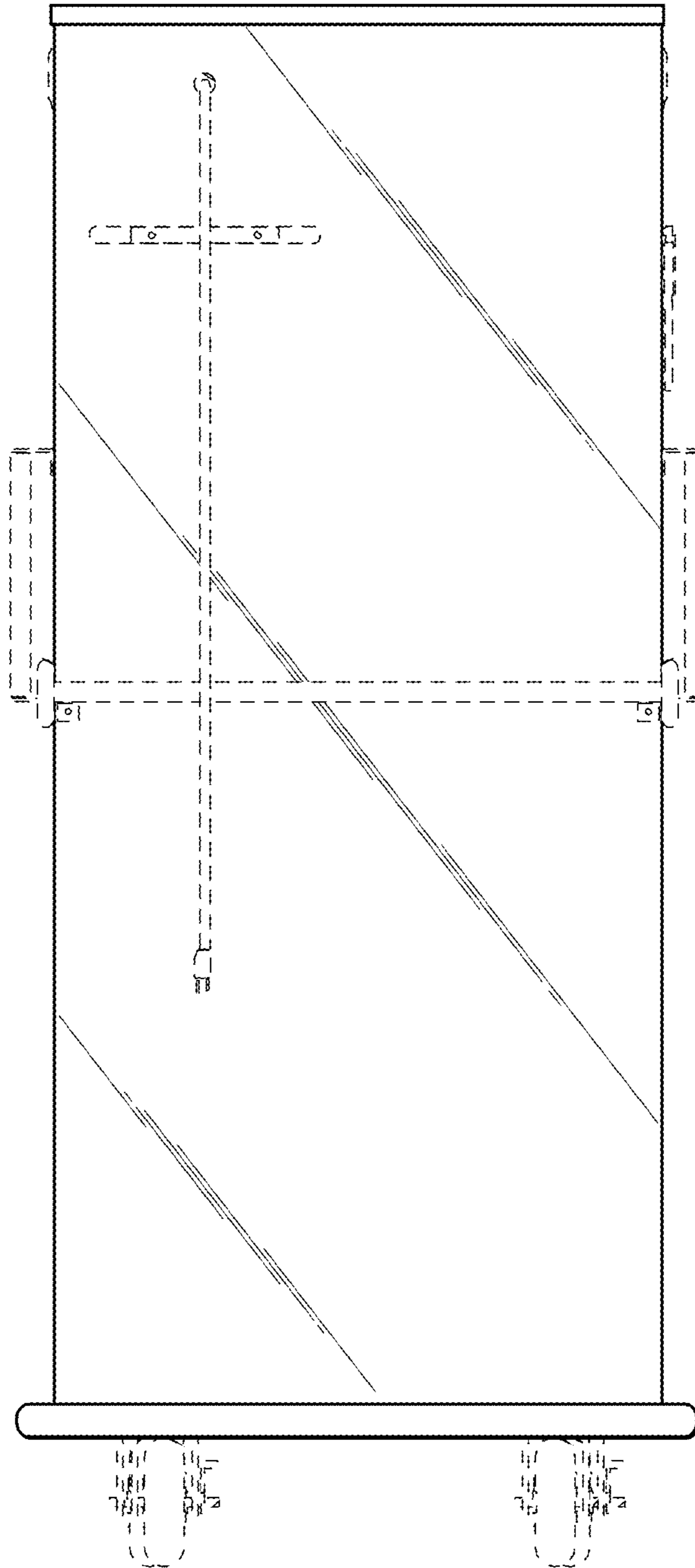


Fig. 7

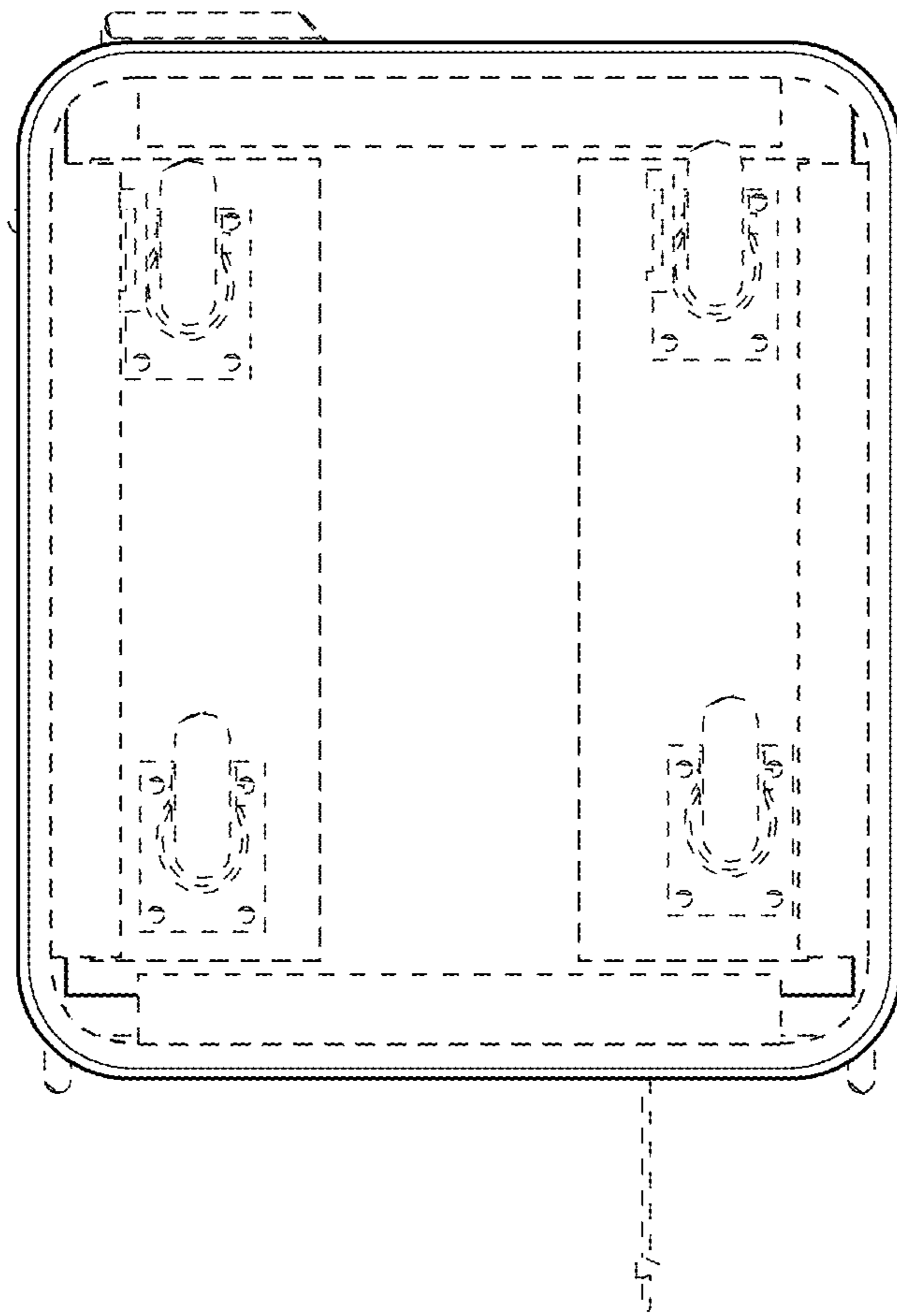


Fig. 8

