



US00D821047S

(12) **United States Design Patent**
Wrobleski et al.

(10) **Patent No.:** **US D821,047 S**

(45) **Date of Patent:** **** Jun. 19, 2018**

(54) **VACUUM CLEANER UPRIGHT PORTION**

(71) Applicant: **BISSELL Homecare, Inc.**, Grand Rapids, MI (US)

(72) Inventors: **Dennis J. Wrobleski**, Grand Rapids, MI (US); **Ryan A. Lundgren**, Commerce, MI (US)

(73) Assignee: **BISSELL Homecare, Inc.**, Grand Rapids, MI (US)

(**) Term: **15 Years**

(21) Appl. No.: **29/576,815**

(22) Filed: **Sep. 7, 2016**

(51) **LOC (11) Cl.** **15-05**

(52) **U.S. Cl.**
USPC **D32/31**

(58) **Field of Classification Search**
USPC D32/17, 21, 22, 31, 34
CPC . A47L 9/32; A47L 9/325; A47L 9/327; A47L 9/20; A47L 5/28; A47L 5/30; A47L 5/34
See application file for complete search history.

(56) **References Cited**

U.S. PATENT DOCUMENTS

D532,944 S * 11/2006 Choi D32/22
D728,878 S * 5/2015 Johnson D32/31

D730,604 S * 5/2015 Luedke D32/31
D735,426 S * 7/2015 Yun D32/22
D759,919 S * 6/2016 Smith D32/31
D768,944 S * 10/2016 Zhang D32/22
D783,912 S * 4/2017 Shin D32/22
D789,626 S * 6/2017 Bloemendaal D32/22
D790,142 S * 6/2017 Carr D32/31

* cited by examiner

Primary Examiner — Ruth McInroy

(74) *Attorney, Agent, or Firm* — McGarry Bair PC

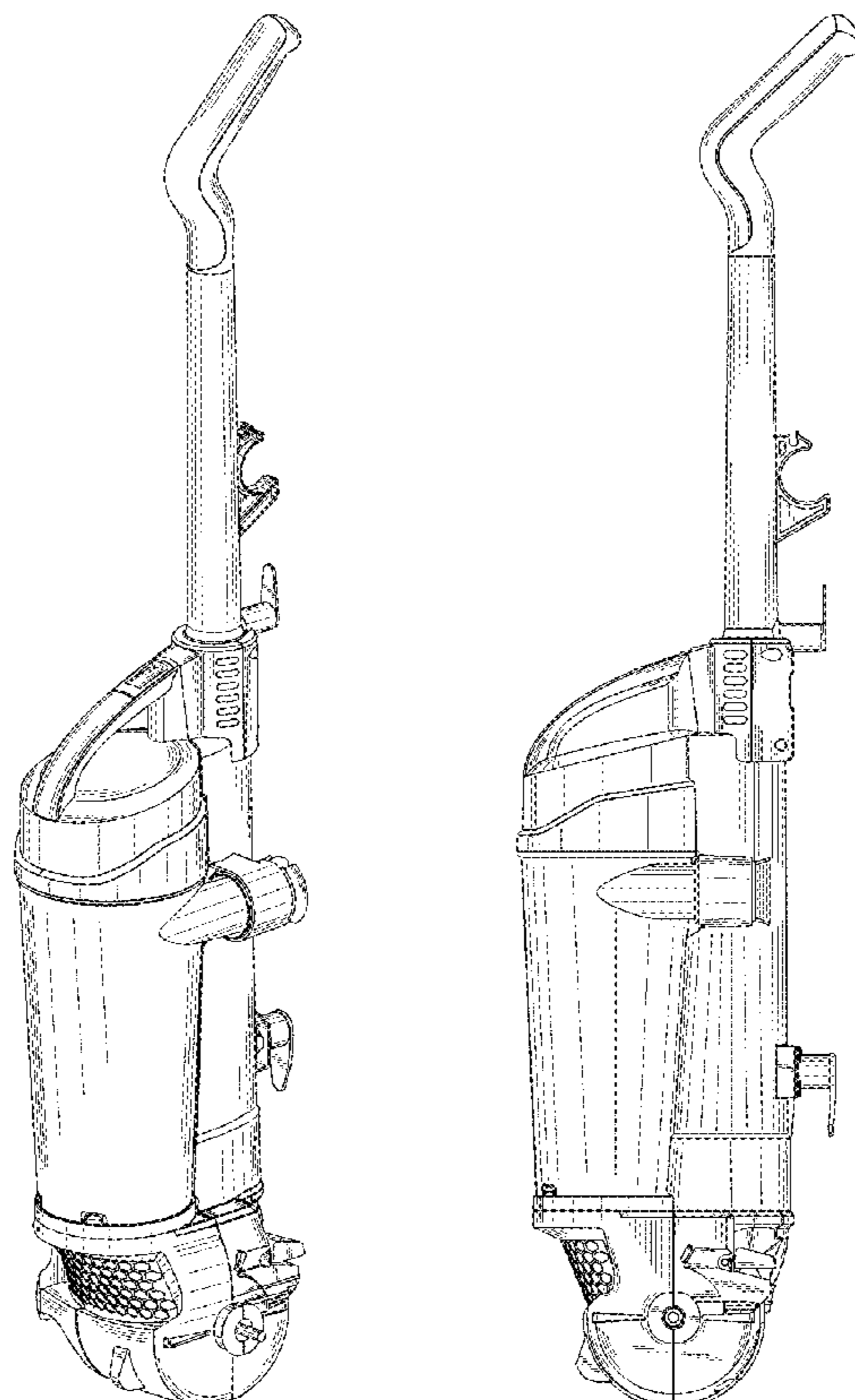
(57) **CLAIM**

The ornamental design for a vacuum cleaner upright portion, as shown and described.

DESCRIPTION

FIG. 1 is a front and right-side perspective view of a vacuum cleaner upright portion showing our new design; FIG. 2 is a front view thereof; FIG. 3 is a rear view thereof; FIG. 4 is a left side view thereof; FIG. 5 is a right side view thereof; FIG. 6 is an enlarged top view thereof; and, FIG. 7 is an enlarged bottom view thereof. The details shown in broken lines form no part of the claimed design.

1 Claim, 4 Drawing Sheets



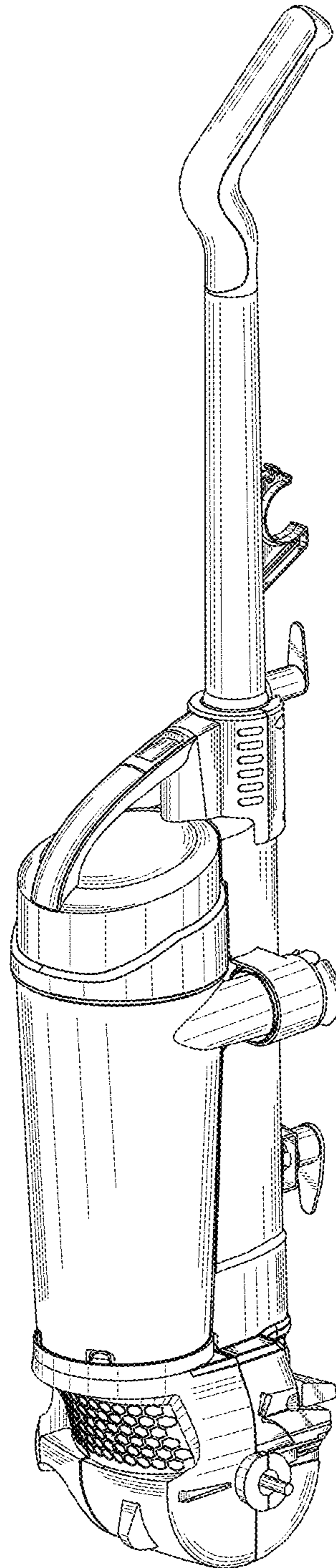


FIG. 1

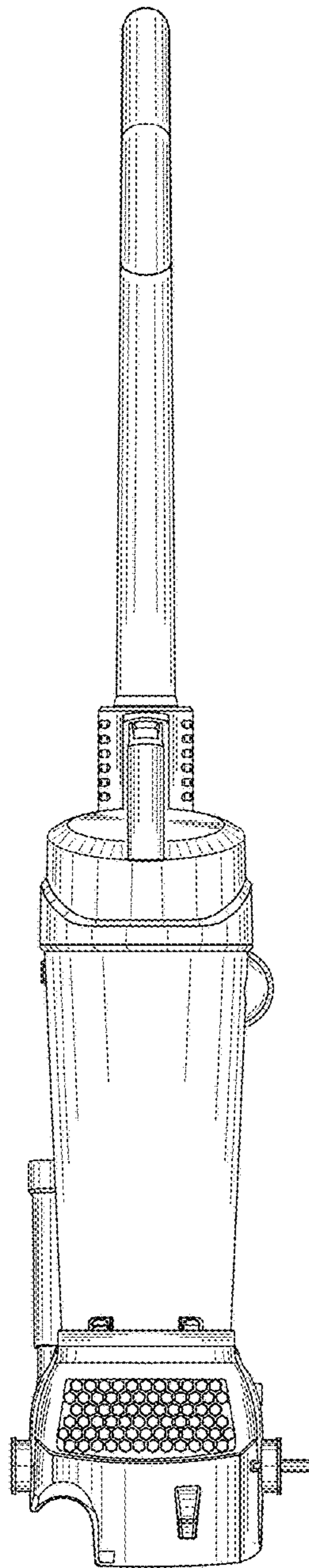


FIG. 2

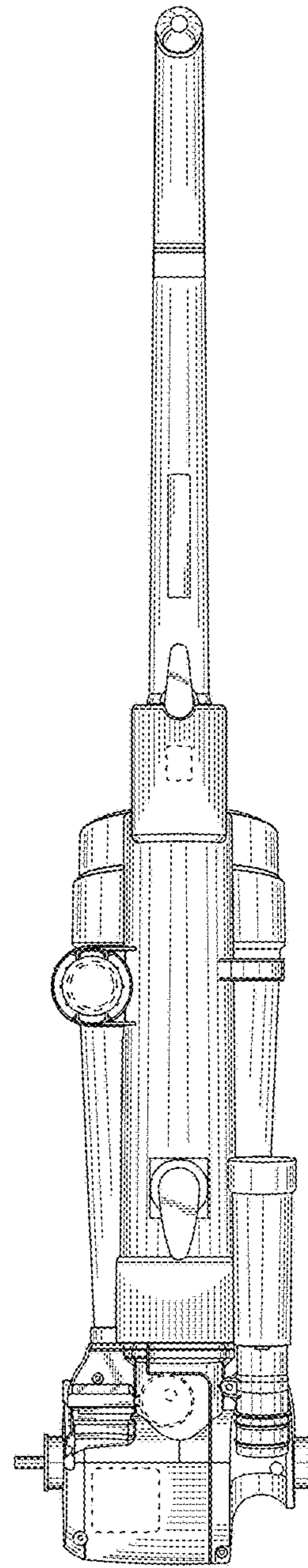


FIG. 3

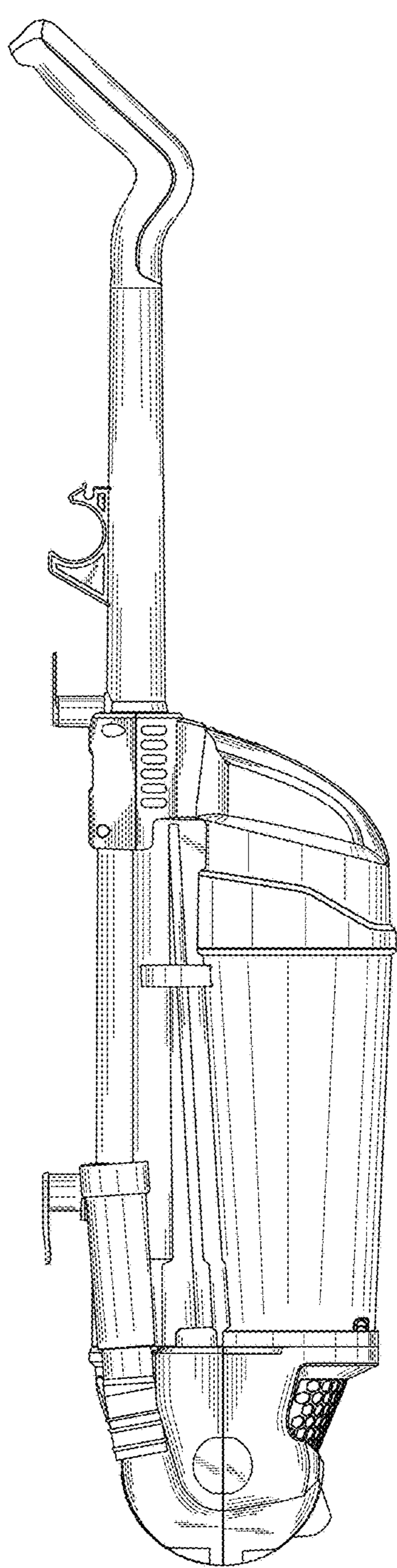


FIG. 4

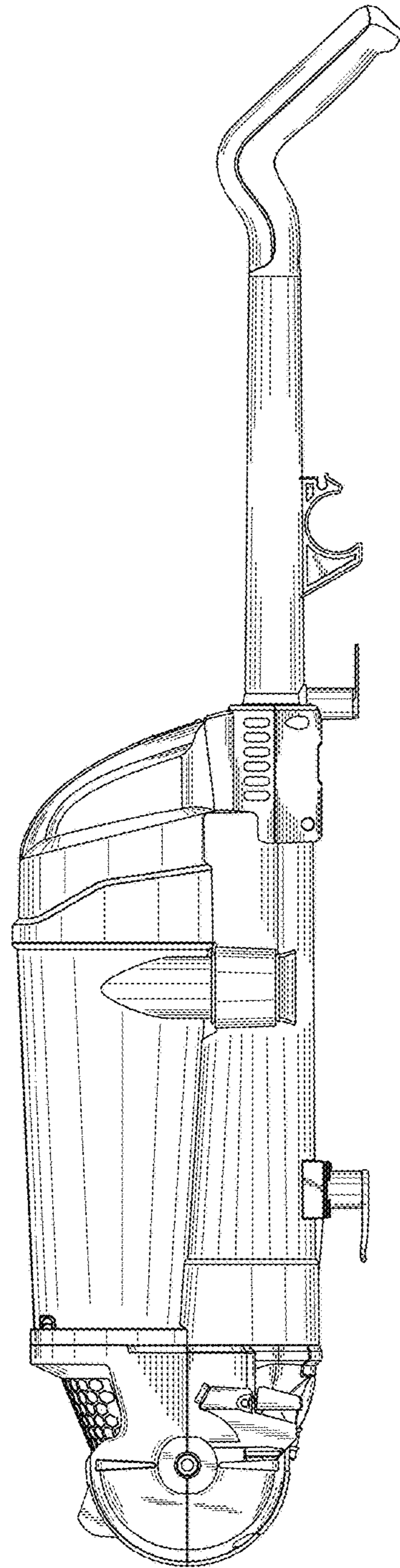


FIG. 5

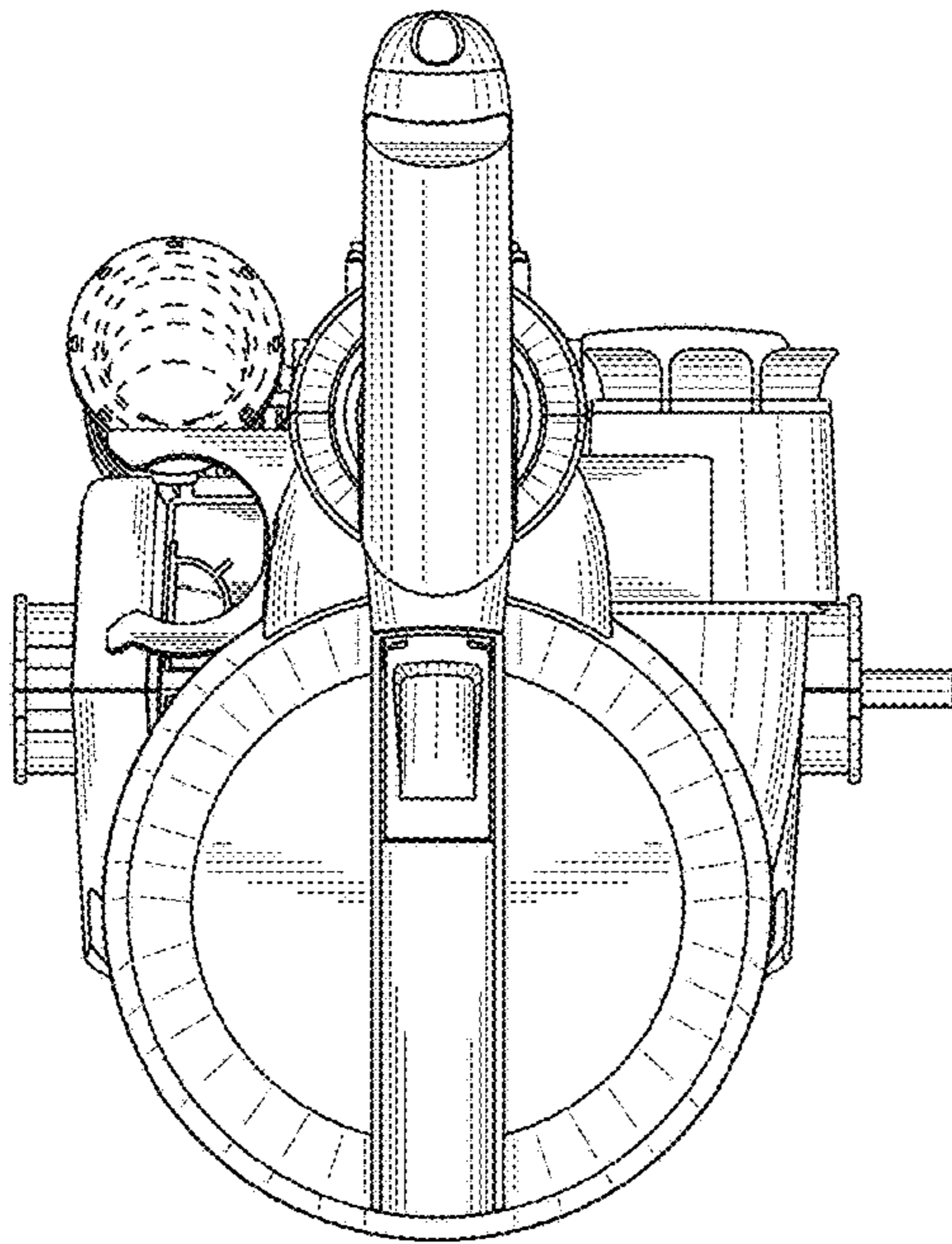


FIG. 6

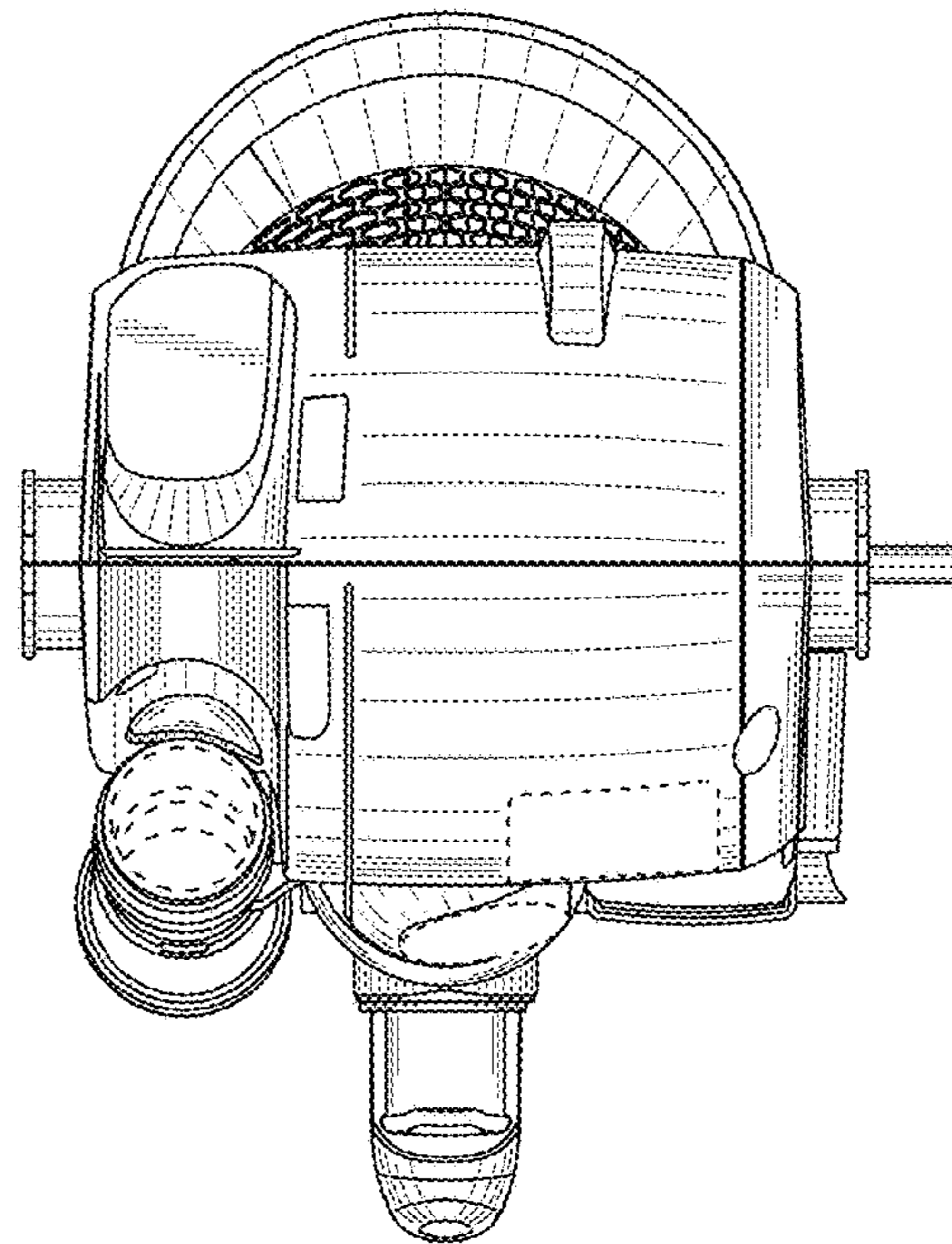


FIG. 7