



US00D821044S

(12) **United States Design Patent**  
**Cao et al.**

(10) **Patent No.:** **US D821,044 S**  
(45) **Date of Patent:** **\*\* Jun. 19, 2018**

(54) **VACUUM CLEANER**

(71) Applicant: **Jiangsu Midea Cleaning Appliances Co., Ltd., Jiangsu (CN)**

(72) Inventors: **Pei Cao, Jiangsu (CN); Kaining He, Jiangsu (CN)**

(73) Assignee: **Jiangsu Midea Cleaning Appliances Co., Ltd., Jiangsu (CN)**

(\*\*) Term: **15 Years**

(21) Appl. No.: **29/574,208**

(22) Filed: **Aug. 12, 2016**

(30) **Foreign Application Priority Data**

Aug. 5, 2016 (CN) ..... 2016 3 0370540

(51) **LOC (11) Cl.** ..... **15-05**

(52) **U.S. Cl.**  
USPC ..... **D32/18**

(58) **Field of Classification Search**

USPC ..... D32/17-18, 21, 31  
CPC ..... A47L 5/24; A47L 5/28; A47L 7/0038  
See application file for complete search history.

(56) **References Cited**

**U.S. PATENT DOCUMENTS**

D577,163 S \* 9/2008 Dyson ..... D32/21  
8,156,609 B2 \* 4/2012 Milne ..... A47L 5/24  
15/344

D731,134 S \* 6/2015 Dyson ..... D32/31  
D731,720 S \* 6/2015 Gidwell ..... D32/18  
D741,558 S \* 10/2015 Kerr ..... D32/18  
D742,083 S \* 10/2015 Gidwell ..... D32/31  
D743,123 S \* 11/2015 Chu ..... D32/18  
D745,231 S \* 12/2015 Niedzwecki ..... D32/18  
D747,571 S \* 1/2016 Dyson ..... D32/18  
D781,011 S \* 3/2017 Bu ..... D32/18  
9,661,964 B2 \* 5/2017 Conrad ..... A47L 5/24

\* cited by examiner

*Primary Examiner* — Ruth McInroy

(74) *Attorney, Agent, or Firm* — Leanne Taveggia Farrell; David D. Brush; Westman, Champlin & Keohler, P.A.

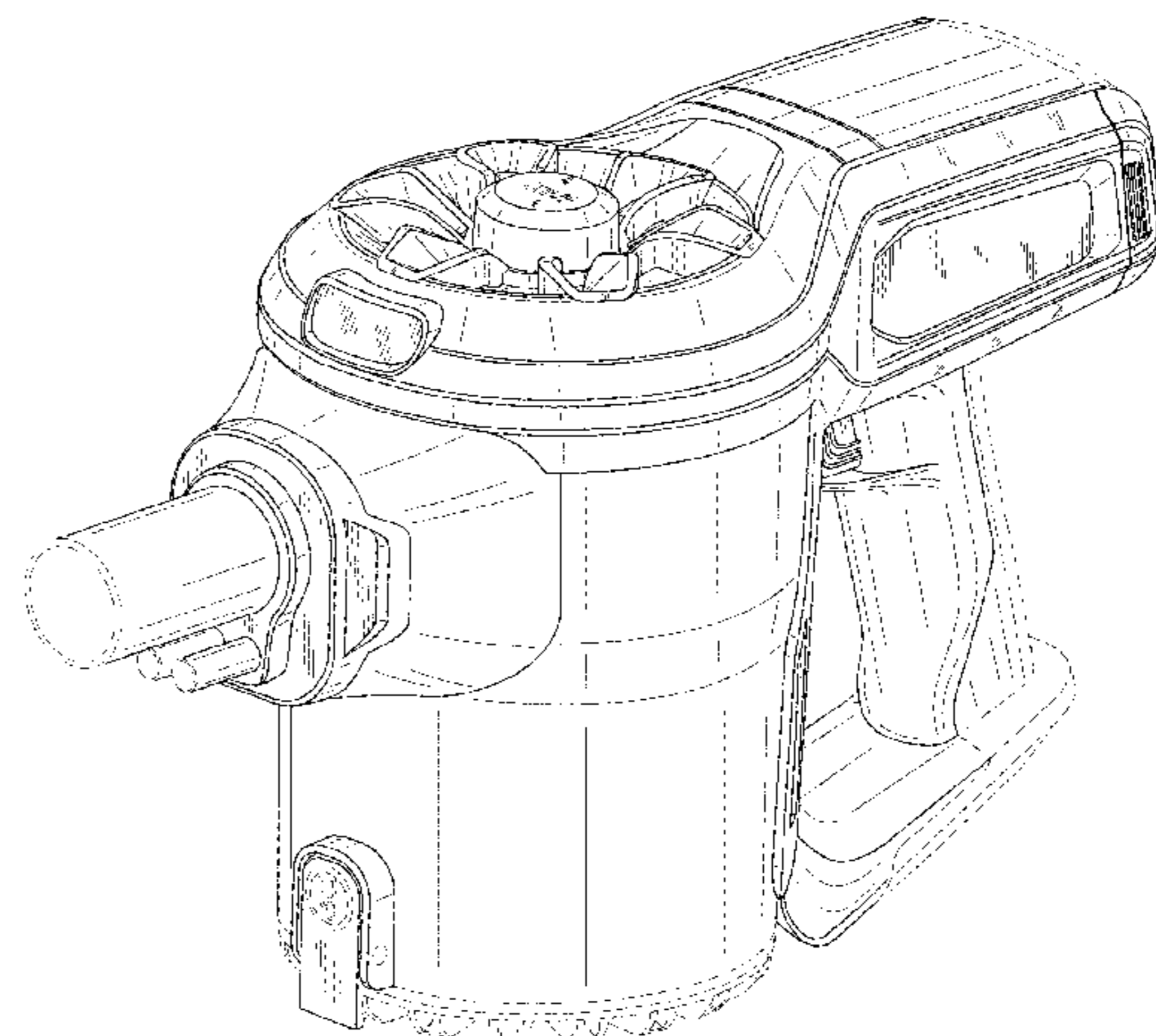
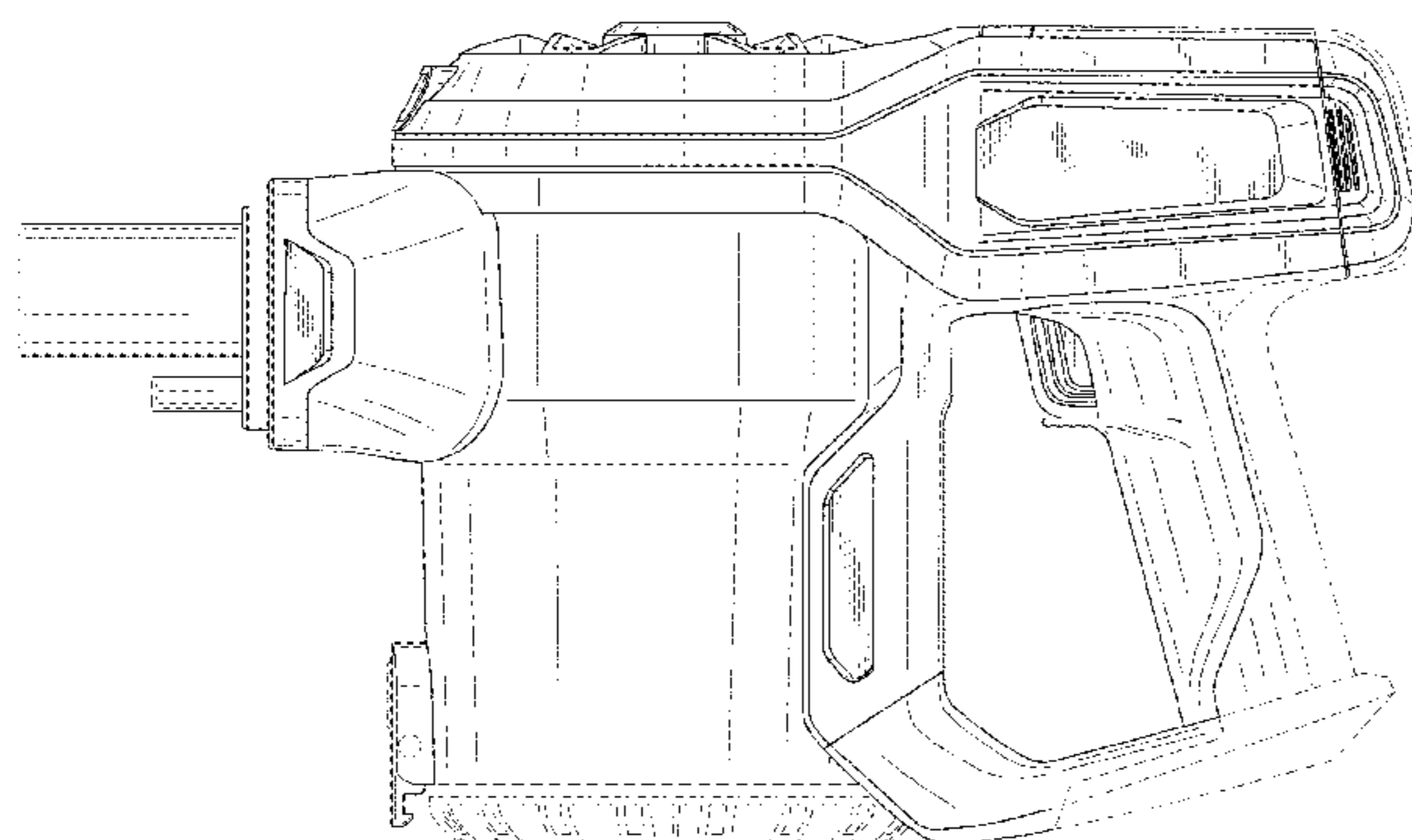
(57) **CLAIM**

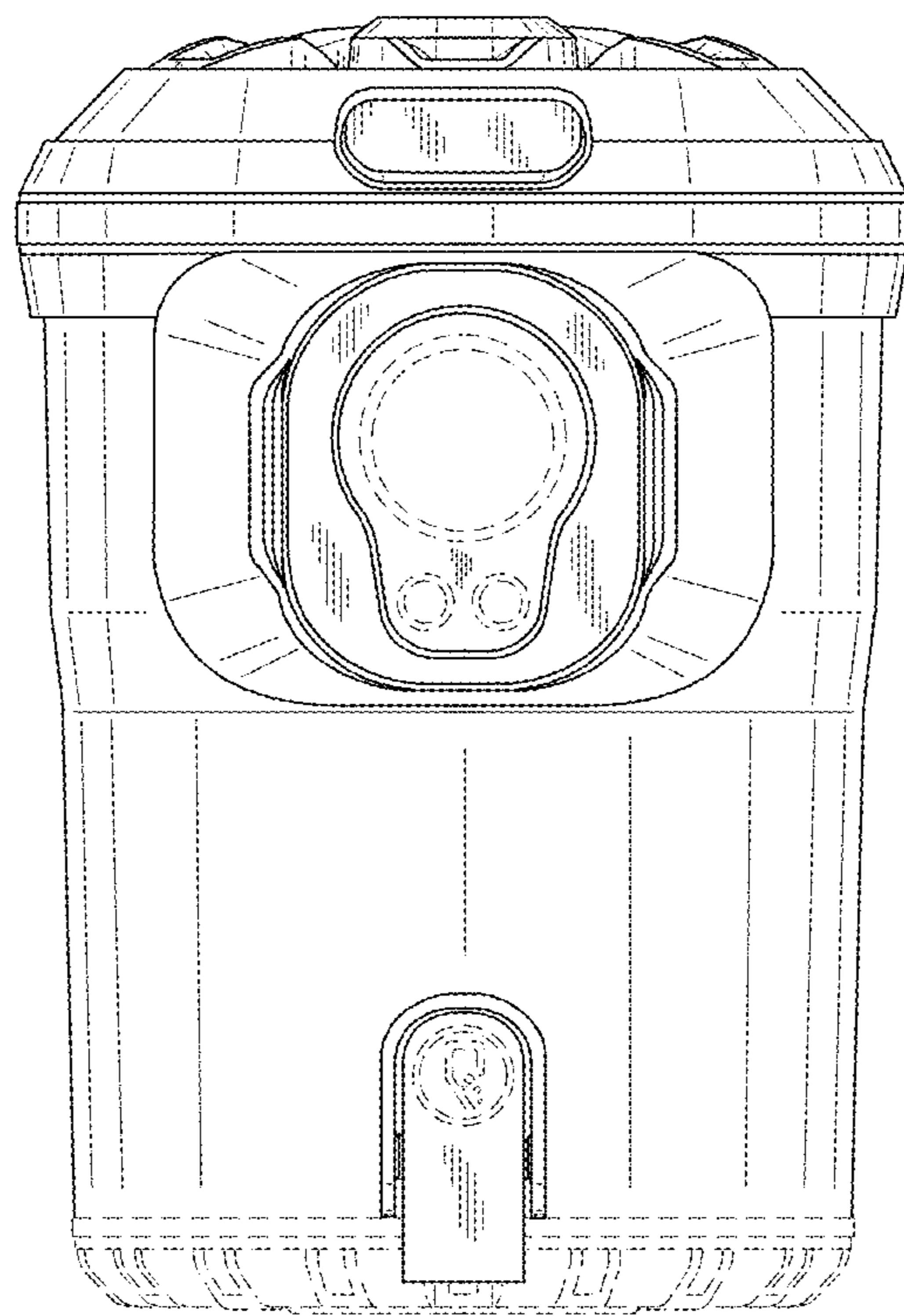
The ornamental design for a vacuum cleaner, as shown and described.

**DESCRIPTION**

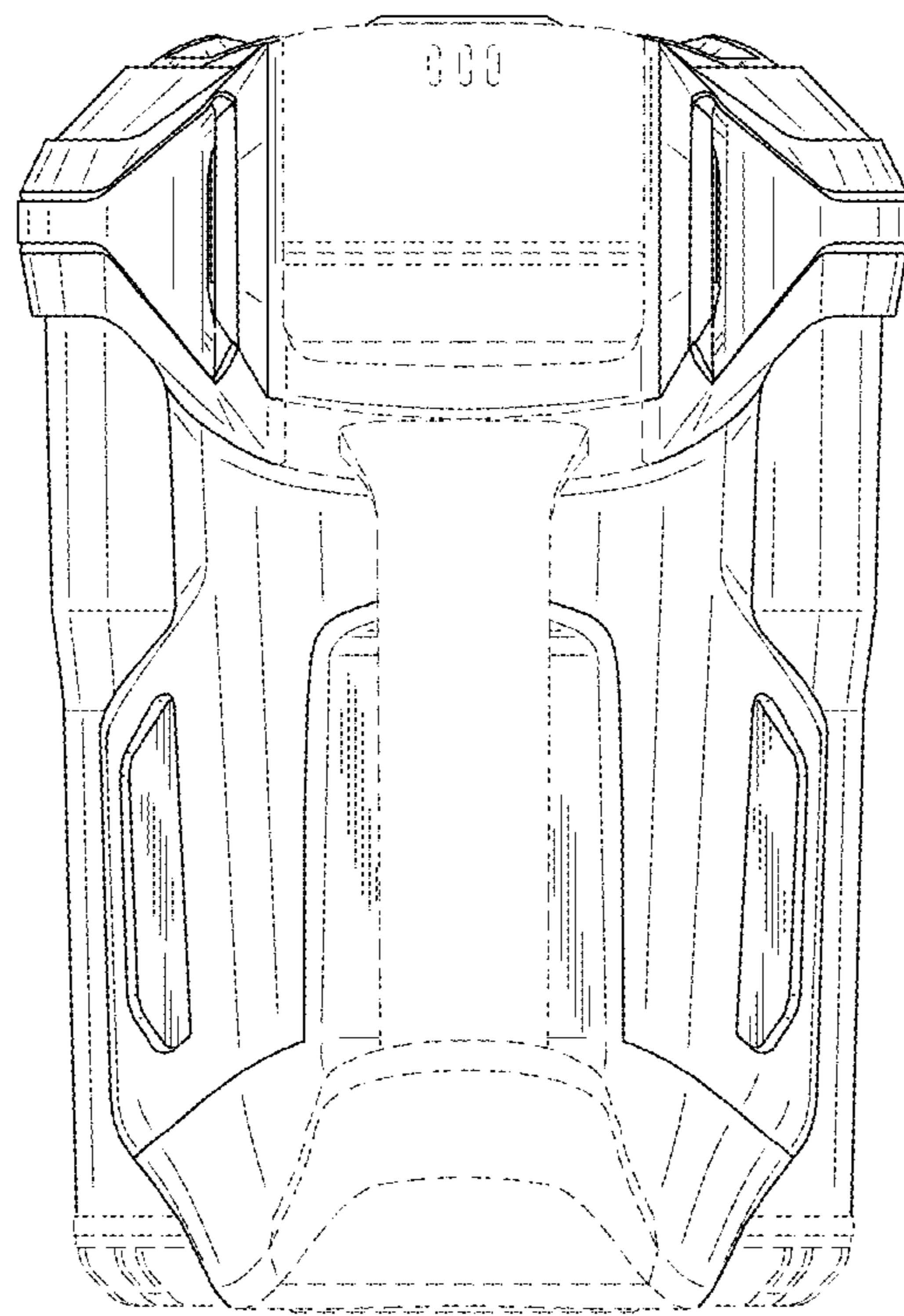
FIG. 1 is a front view of a vacuum cleaner showing our new design;  
FIG. 2 is a rear view thereof;  
FIG. 3 is a left view thereof (as taken from the left side of FIG. 1);  
FIG. 4 is a right view thereof (as taken from the right side of FIG. 1);  
FIG. 5 is a top view thereof; and,  
FIG. 6 is a perspective view thereof.

**1 Claim, 6 Drawing Sheets**

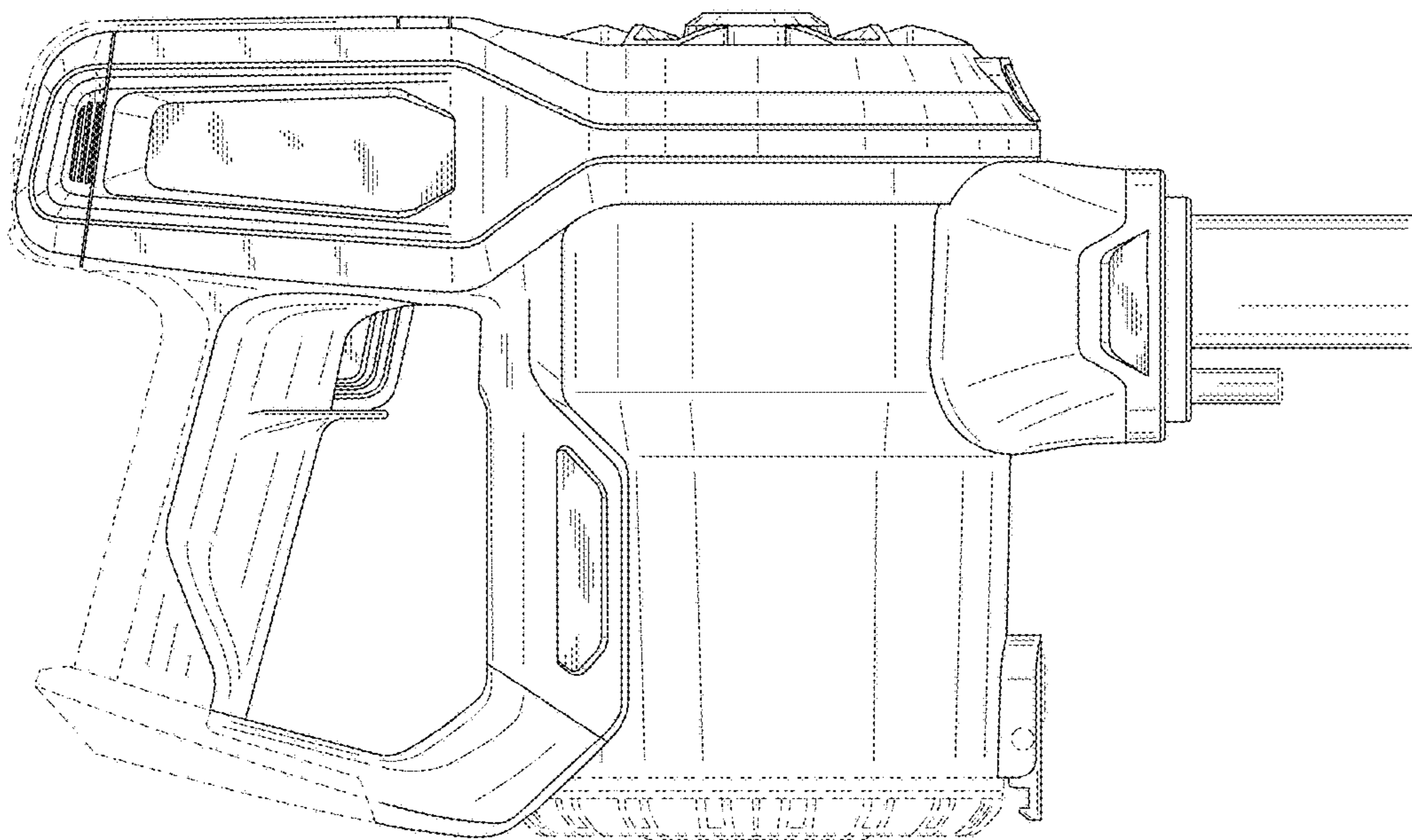




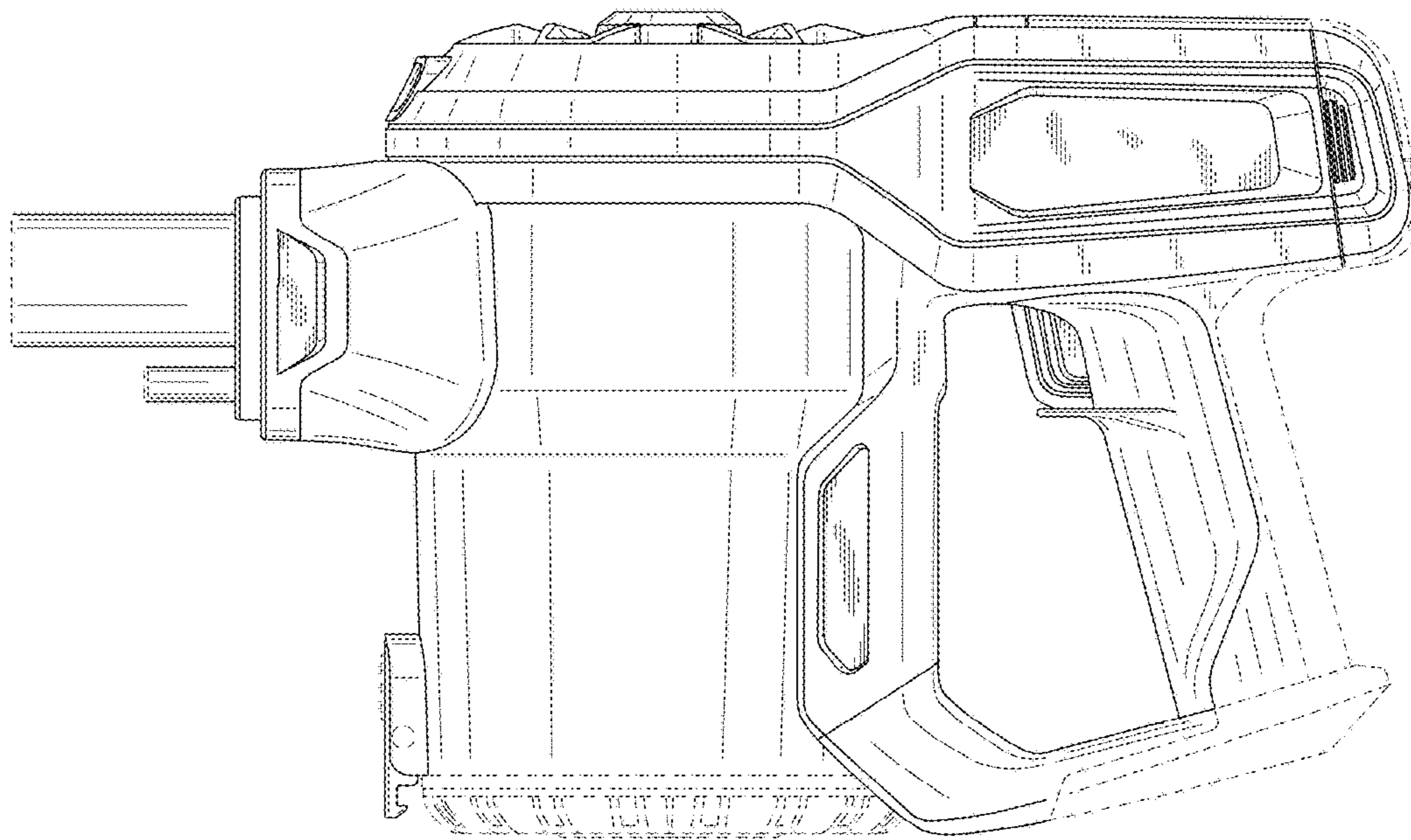
**Fig. 1**



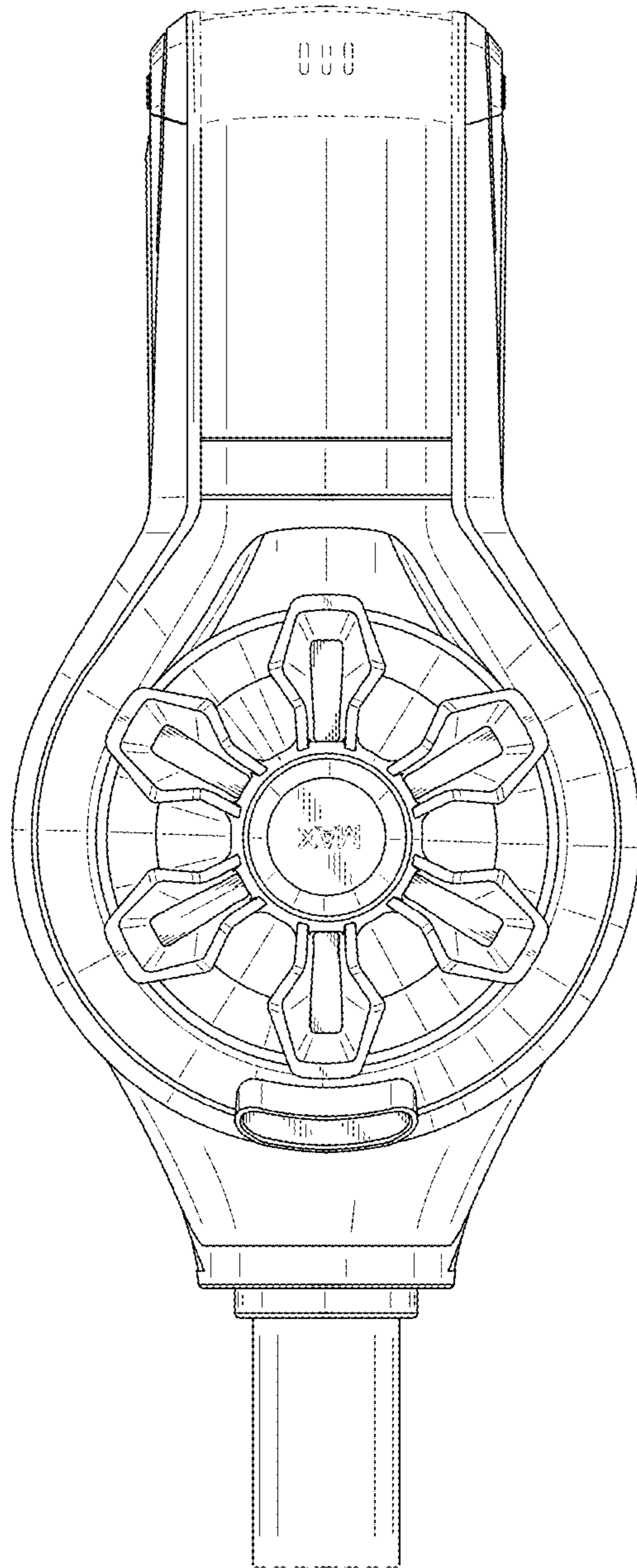
**Fig. 2**



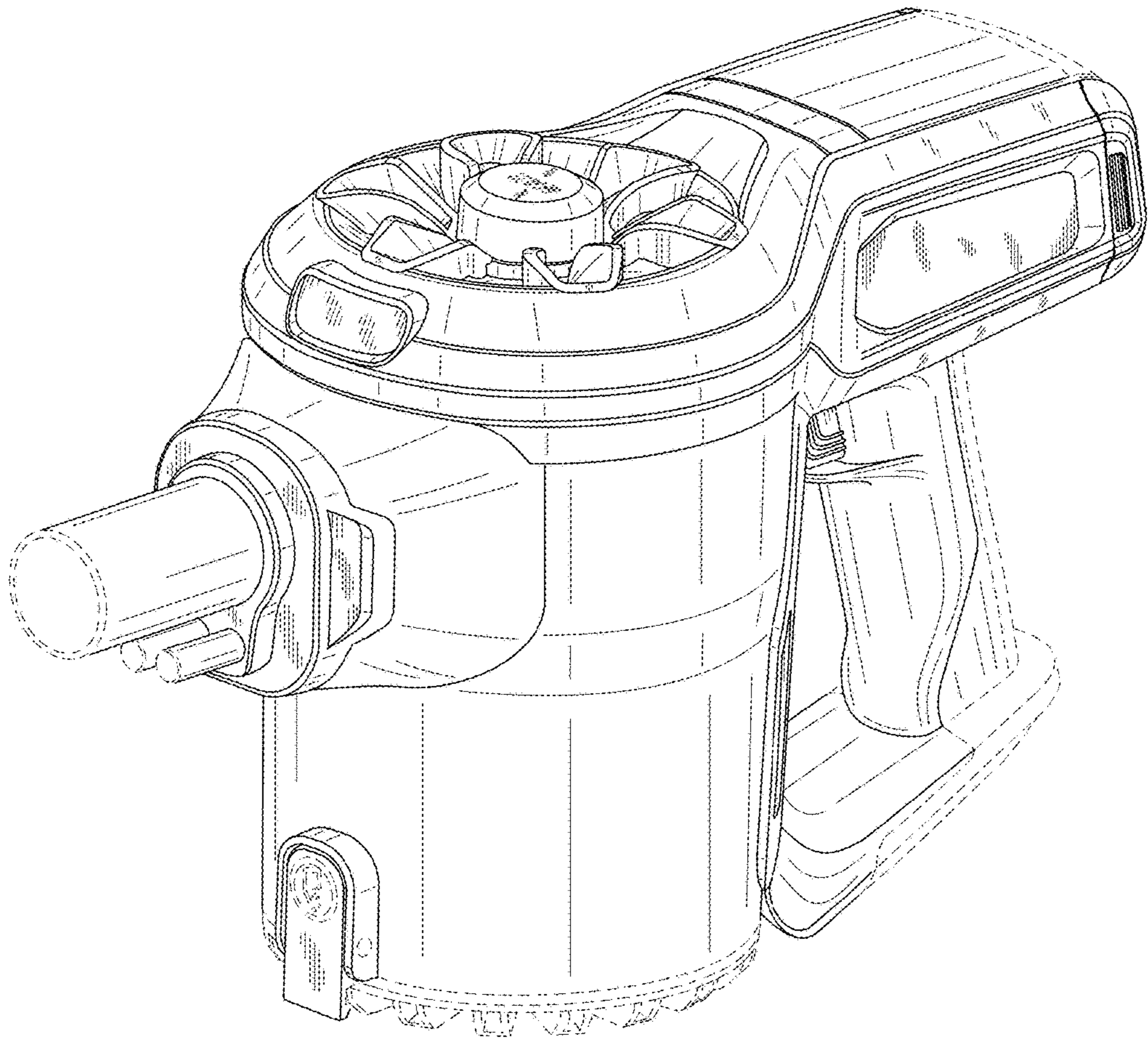
**Fig. 3**



**Fig. 4**



**Fig. 5**



**Fig. 6**