



US00D821039S

(12) **United States Design Patent**
Owens, III

(10) **Patent No.:** **US D821,039 S**
(45) **Date of Patent:** **** Jun. 19, 2018**

(54) **PET FOOD BOWL**

(71) Applicant: **Joe J. Owens, III**, Henderson, NV
(US)

(72) Inventor: **Joe J. Owens, III**, Henderson, NV
(US)

(**) Term: **15 Years**

(21) Appl. No.: **29/624,942**

(22) Filed: **Nov. 6, 2017**

Related U.S. Application Data

(62) Division of application No. 29/567,101, filed on Jun. 6, 2016.

(51) **LOC (11) Cl.** **30-03**

(52) **U.S. Cl.**
USPC **D30/129**

(58) **Field of Classification Search**
USPC D30/121, 122, 129-133; 119/61.5, 51.01, 119/61.56, 51.03, 59, 62, 63, 51.5, 57.8, 119/74, 61.54, 61.55; 312/204; 248/151, 248/188; 108/156, 153.1-157; 220/23.87, 630, 737, 743, 9.4, 495.01, 220/574, 212, 255, 23.83; 206/515; D7/586, 543, 550.1, 587, 505, 584, 545, D7/500, 553.1-553.8, 546, 555, 556, 504, D7/565, 562, 602; D9/429; 43/109; D22/122; 99/430, DIG. 15
CPC A01K 5/0114; A01K 5/01; A01K 5/0135; A01K 7/005; A01K 7/00; A01K 7/02; A01K 5/0142; A01K 5/0121; A01K 5/0128; A01K 27/004; A01K 39/014; A01K 39/00; A01K 39/02; A01K 39/0113; A47J 43/0727; A01M 29/34; B29C 65/48; B65D 81/36

See application file for complete search history.

(56) **References Cited**

U.S. PATENT DOCUMENTS

- 344,447 A * 6/1886 Johnston B65D 83/0005
222/386
- 1,065,823 A * 6/1913 Matthews G01F 11/286
15/257.05
- 1,119,255 A * 12/1914 Durkin B07B 1/469
209/397
- 3,040,897 A * 6/1962 Holman B65D 1/10
210/237
- 3,202,131 A * 8/1965 Jones A01K 5/0114
119/61.54
- 3,268,198 A * 8/1966 Swett A47G 23/03
248/346.11
- D232,338 S * 8/1974 Daenen D7/667
- 3,995,544 A * 12/1976 Farley A47J 43/286
100/116
- D246,026 S * 10/1977 Stahel D7/388

(Continued)

OTHER PUBLICATIONS

S-shaped perforations Salt Shaker image, <https://www.gettyimages.com/detail/photo/salt-shaker-with-the-letter-s-on-top-high-res-stock-photography/156891266> , 2018.*

Primary Examiner — Susan Moon Lee
(74) *Attorney, Agent, or Firm* — Fennemore Craig, P.C.

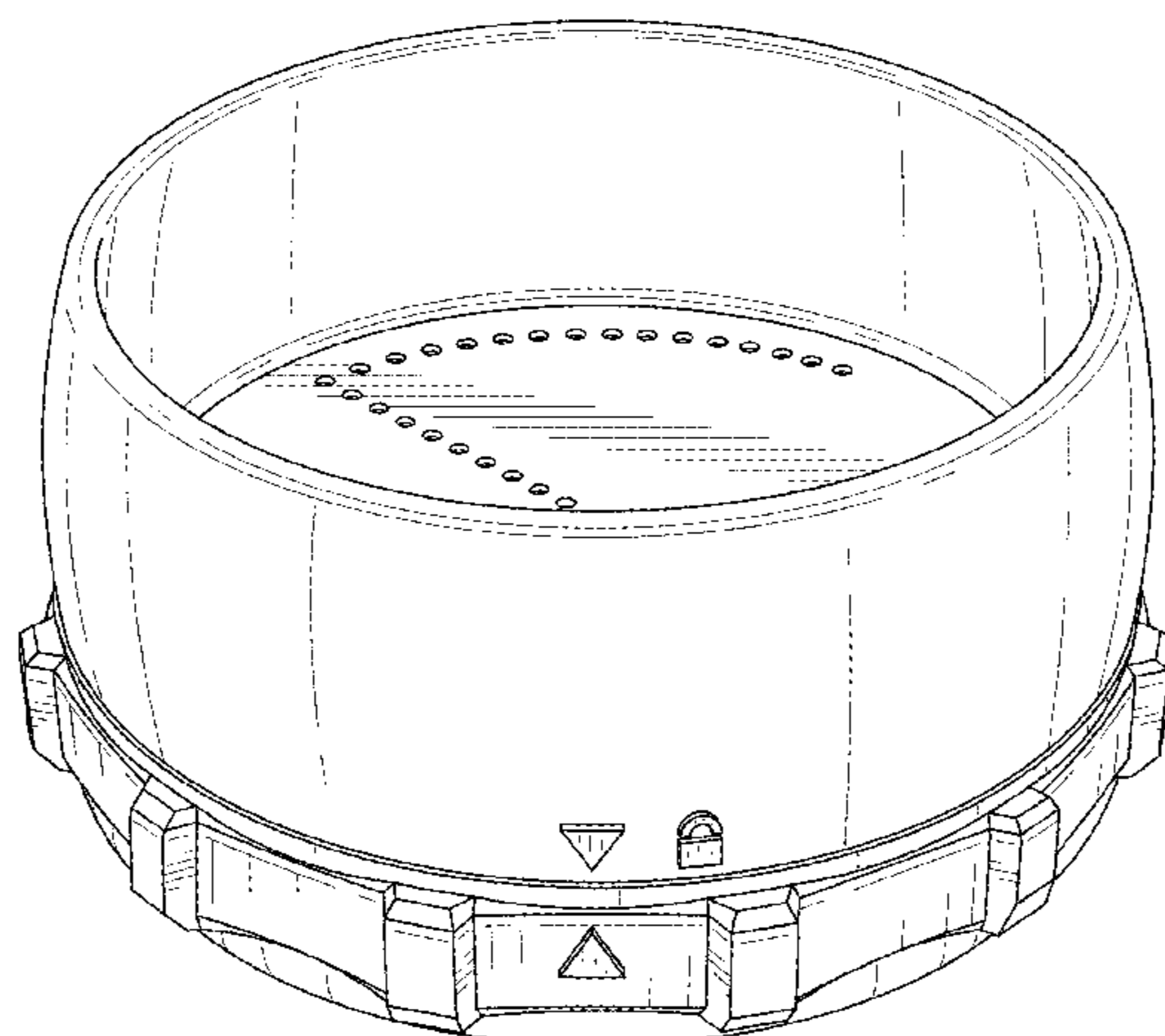
(57) **CLAIM**

The ornamental design for a pet food bowl, as shown and described.

DESCRIPTION

FIG. 1 is a perspective view of a pet food bowl in accordance with my new design;
FIG. 2 is a side view of the pet food bowl shown in FIG. 1;
FIG. 3 is a top plan view of the pet food bowl shown in FIG. 1; and,
FIG. 4 is a bottom plan view of the pet food bowl shown in FIG. 1.

1 Claim, 3 Drawing Sheets



(56)

References Cited

U.S. PATENT DOCUMENTS

D255,751 S *	7/1980	Daenen	D7/667	8,381,640 B1 *	2/2013	Wilson	A47J 37/10 210/464
D256,079 S *	7/1980	Moncrief	D7/400	8,448,679 B2 *	5/2013	Olson	C02F 1/003 141/18
4,286,546 A *	9/1981	Moore	A01K 7/005 119/61.54	D712,508 S *	9/2014	Du	D23/209
D263,269 S *	3/1982	Strathman	D27/194	D719,787 S *	12/2014	Seegars	D7/553.6
D278,014 S *	3/1985	Faris	D7/505	D726,367 S *	4/2015	Dukat	D27/167
D296,020 S *	5/1988	McCarroll	D30/130	9,027,798 B2 *	5/2015	Gringer	B65D 25/48 222/367
4,752,147 A *	6/1988	Persi	B05C 17/00 401/123	D746,647 S *	1/2016	Roaks	D7/667
4,942,277 A *	7/1990	Narberes	B65D 81/3453 209/235	D762,017 S *	7/2016	Tsengas	D30/121
D318,596 S *	7/1991	Watts	D7/325	D767,952 S *	10/2016	Ioncescu	D7/647
D327,849 S *	7/1992	Armstrong	D9/435	9,545,081 B2 *	1/2017	Nolan	A01K 15/02
5,148,951 A *	9/1992	Moure	A45D 40/0075 100/116	D794,475 S *	8/2017	Now	D9/738
5,377,621 A *	1/1995	Camm	A01K 5/0114 119/61.54	9,788,633 B2 *	10/2017	Jung	A45D 34/04
5,479,882 A *	1/1996	Kerner	A01K 5/01 119/61.1	D805,360 S *	12/2017	Freeman	D7/667
5,706,721 A *	1/1998	Homes	A47J 36/08 100/110	D805,700 S *	12/2017	Owens, III	D30/129
D391,440 S *	3/1998	Cousins	D7/360	9,872,479 B2 *	1/2018	Tharp	A01K 5/01
5,887,544 A *	3/1999	Popelier	A01K 5/01 119/61.54	2003/0106262 A1 *	6/2003	Lai	A01G 9/02 47/65.6
D408,227 S *	4/1999	Swann, Jr.	D7/624.1	2004/0068931 A1 *	4/2004	Lai	A01G 27/02 47/80
6,135,307 A *	10/2000	Fahy	A47G 19/02 220/521	2004/0200845 A1 *	10/2004	Watzke	B65D 1/24 220/501
6,314,911 B1 *	11/2001	Kaytovich	A01K 5/0114 119/61.5	2005/0056226 A1 *	3/2005	Ruggiero, Jr.	A01K 5/0114 119/61.52
D493,664 S *	8/2004	Siegel	D7/354	2006/0169603 A1 *	8/2006	Lancesseur	B65D 51/30 206/204
D508,188 S *	8/2005	Zettle	D7/615	2006/0213447 A1 *	9/2006	Kitchen	A01K 5/0114 119/61.5
7,021,202 B2 *	4/2006	Sizer	A47J 37/129 220/573.2	2006/0278665 A1 *	12/2006	Bennett	A45D 33/16 222/480
D576,735 S *	9/2008	Strickler	D23/261	2007/0199512 A1 *	8/2007	Ellis	A01K 7/005 119/61.54
D581,746 S *	12/2008	Holmes	D7/665	2008/0053374 A1 *	3/2008	Kerrigan	A01K 5/0114 119/51.03
7,753,000 B1 *	7/2010	Turner	A01K 5/01 119/57	2008/0289581 A1 *	11/2008	Cox, Jr.	A01K 5/0114 119/61.54
D625,772 S *	10/2010	Olson	D23/207	2009/0050633 A1 *	2/2009	Knapp	A47G 19/02 220/575
7,856,944 B1 *	12/2010	Stauffer	A01K 5/0114 119/61.5	2011/0083259 A1 *	4/2011	Wright	A61J 19/00 4/261
D632,129 S *	2/2011	Chen	D7/354	2012/0017837 A1 *	1/2012	Crawford	A01K 5/01 119/61.1
D636,946 S *	4/2011	Able	D30/129	2012/0090549 A1 *	4/2012	Tharp	A01K 5/01 119/51.5
8,033,420 B2 *	10/2011	Roseblade	A47G 19/2211 220/369	2013/0104808 A1 *	5/2013	Rocker	A01K 5/0128 119/61.55
D648,492 S *	11/2011	Able	D30/129	2014/0010629 A1 *	1/2014	Abraham	A47L 15/501 414/802
8,082,882 B1 *	12/2011	Tharp	A01K 5/01 119/60	2014/0158054 A1 *	6/2014	Clarke	A01K 5/0114 119/51.01
8,240,503 B2 *	8/2012	Curtin	A47J 47/10 220/501	2017/0127647 A1 *	5/2017	Owens, III	A01K 5/0114
D667,678 S *	9/2012	Sensenig	D7/354	2017/0127648 A1 *	5/2017	O'Donnell	A01K 5/0114
8,342,128 B2 *	1/2013	Rocker	A01K 5/0128 119/61.2				

* cited by examiner

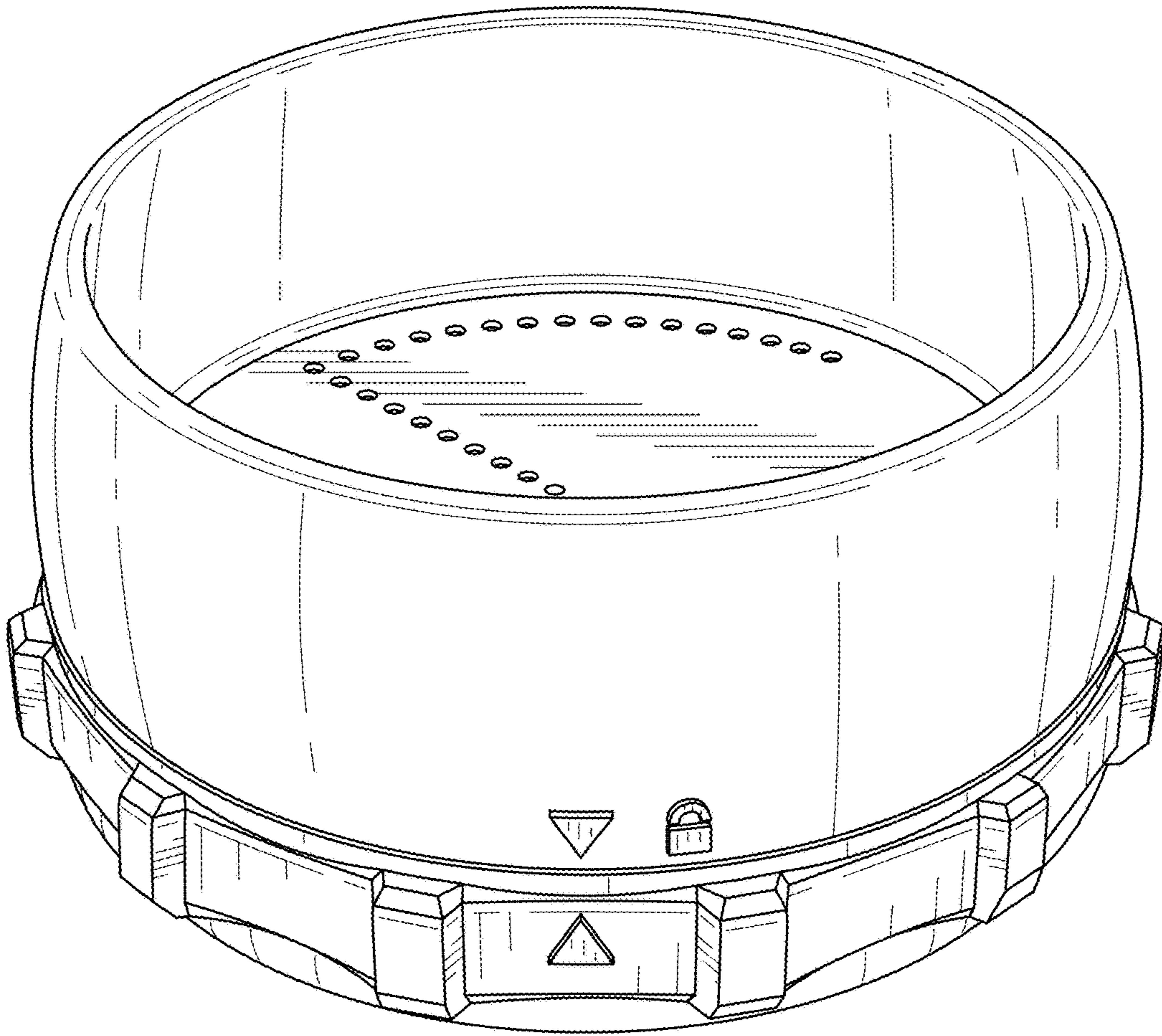


FIG. 1

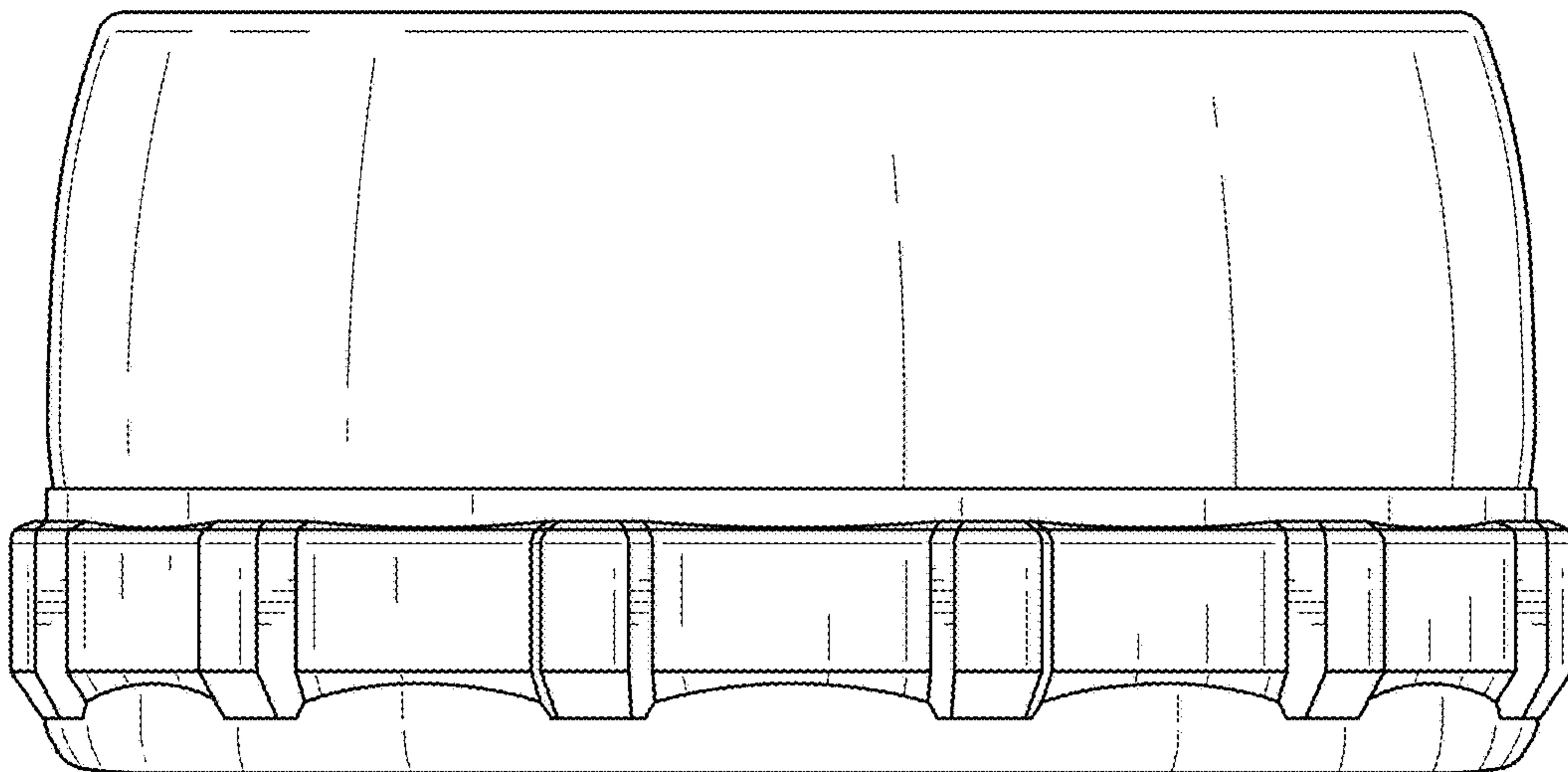


FIG. 2

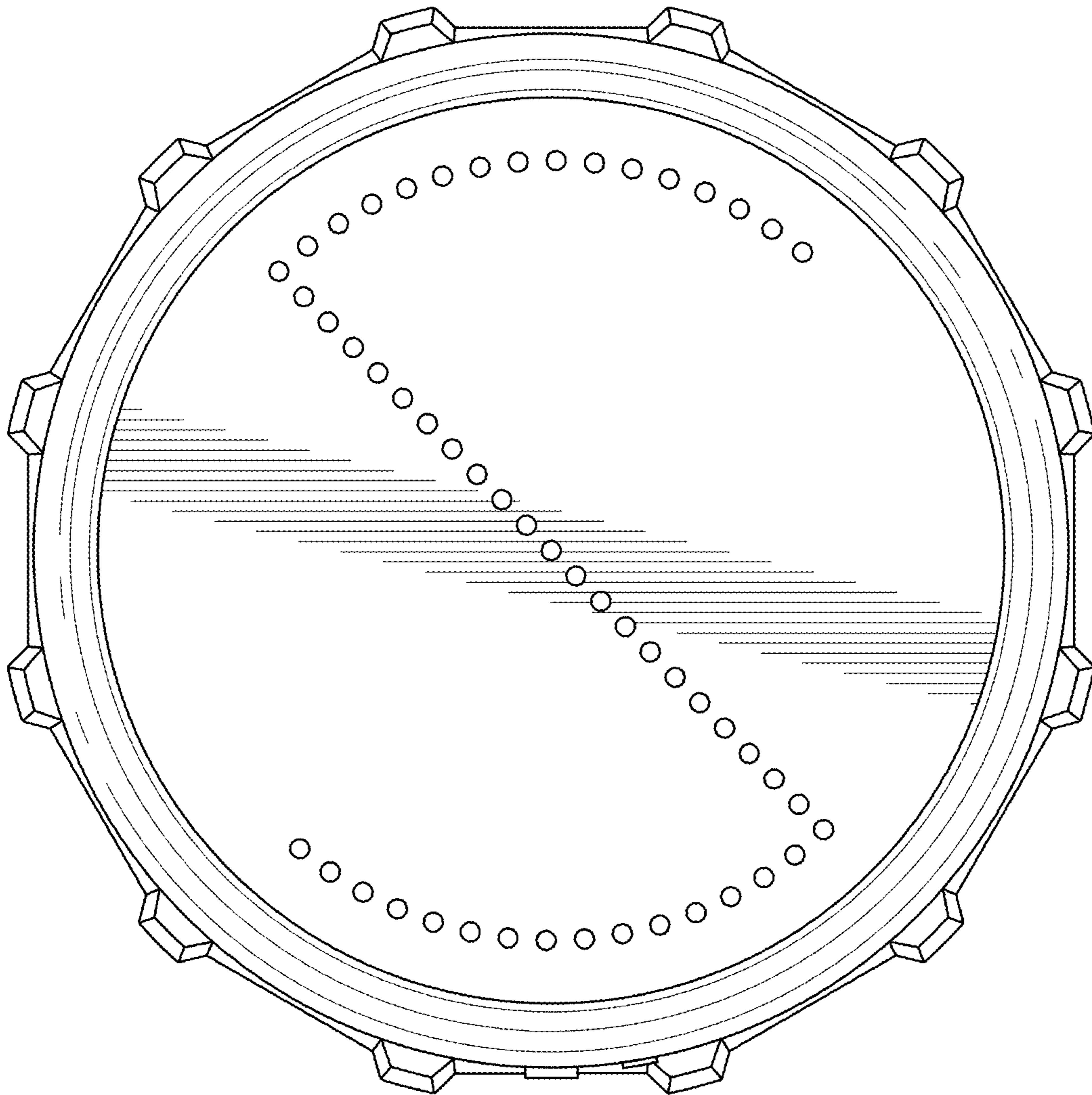


FIG. 3

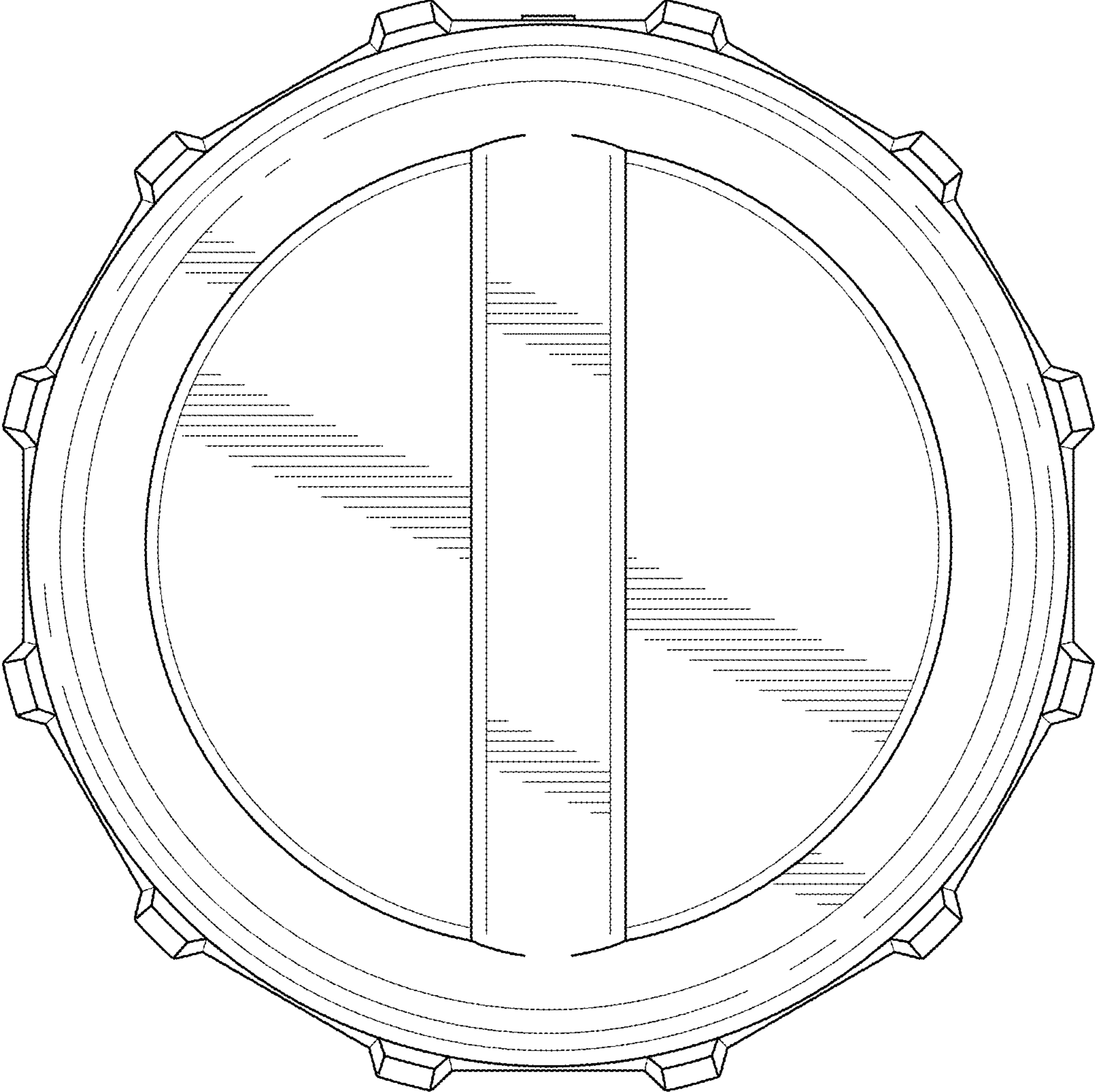


FIG. 4