

US00D821037S

(12) **United States Design Patent**  
**Wallis**

(10) **Patent No.:** **US D821,037 S**

(45) **Date of Patent:** **\*\* Jun. 19, 2018**

(54) **SURGICAL EYE SHIELD**

(71) Applicant: **Wallis Coombe Pty Ltd**, Launceston (AU)

(72) Inventor: **Andrew Wallis**, Launceston (AU)

(73) Assignee: **Innovgas Pty Ltd**, Launceton, Tasmania (AU)

(\*\*) Term: **15 Years**

(21) Appl. No.: **29/571,613**

(22) Filed: **Jul. 20, 2016**

(51) **LOC (11) Cl.** ..... **29-02**

(52) **U.S. Cl.**  
USPC ..... **D29/110**

(58) **Field of Classification Search**  
USPC .... D29/108-110, 105-107, 122; D24/110.1, D24/110.2, 110.3; D16/312-313, 330  
CPC .... A41D 13/1218; A63B 33/002; B63C 11/12  
See application file for complete search history.

(56) **References Cited**

**U.S. PATENT DOCUMENTS**

D242,666 S \* 12/1976 Smith ..... D16/312  
D320,289 S \* 9/1991 Blackstone ..... D29/110

D556,811 S \* 12/2007 Bruck ..... D16/312  
D681,283 S \* 4/2013 Wang Lee ..... D29/110  
D695,335 S \* 12/2013 Goodman ..... D16/312  
D695,818 S \* 12/2013 Laperriere ..... D16/312  
D717,851 S \* 11/2014 Arnette ..... D16/312  
8,893,314 B2 \* 11/2014 Chen ..... A61F 9/025  
2/426  
D812,128 S \* 3/2018 Levi ..... D16/330

\* cited by examiner

*Primary Examiner* — Robert A Delehanty

(74) *Attorney, Agent, or Firm* — Sand & Sebolt

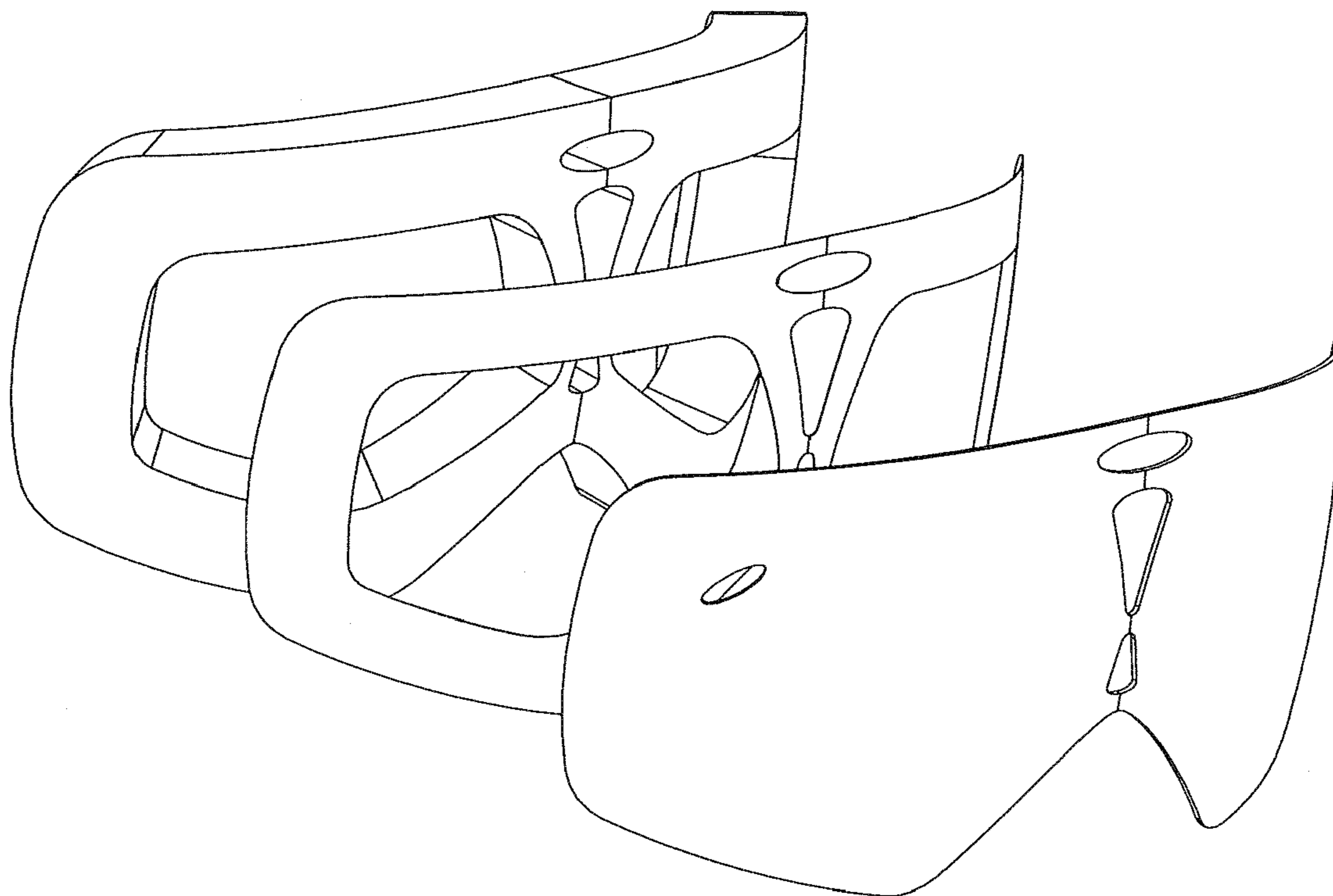
(57) **CLAIM**

The ornamental design for a surgical eye shield, as shown and described.

**DESCRIPTION**

FIG. 1 is a front elevation view of a surgical eye shield in accordance with the current invention;  
FIG. 2 is a top plan view thereof;  
FIG. 3 is a side elevation view thereof; and,  
FIG. 4 is an exploded perspective view thereof.

**1 Claim, 2 Drawing Sheets**



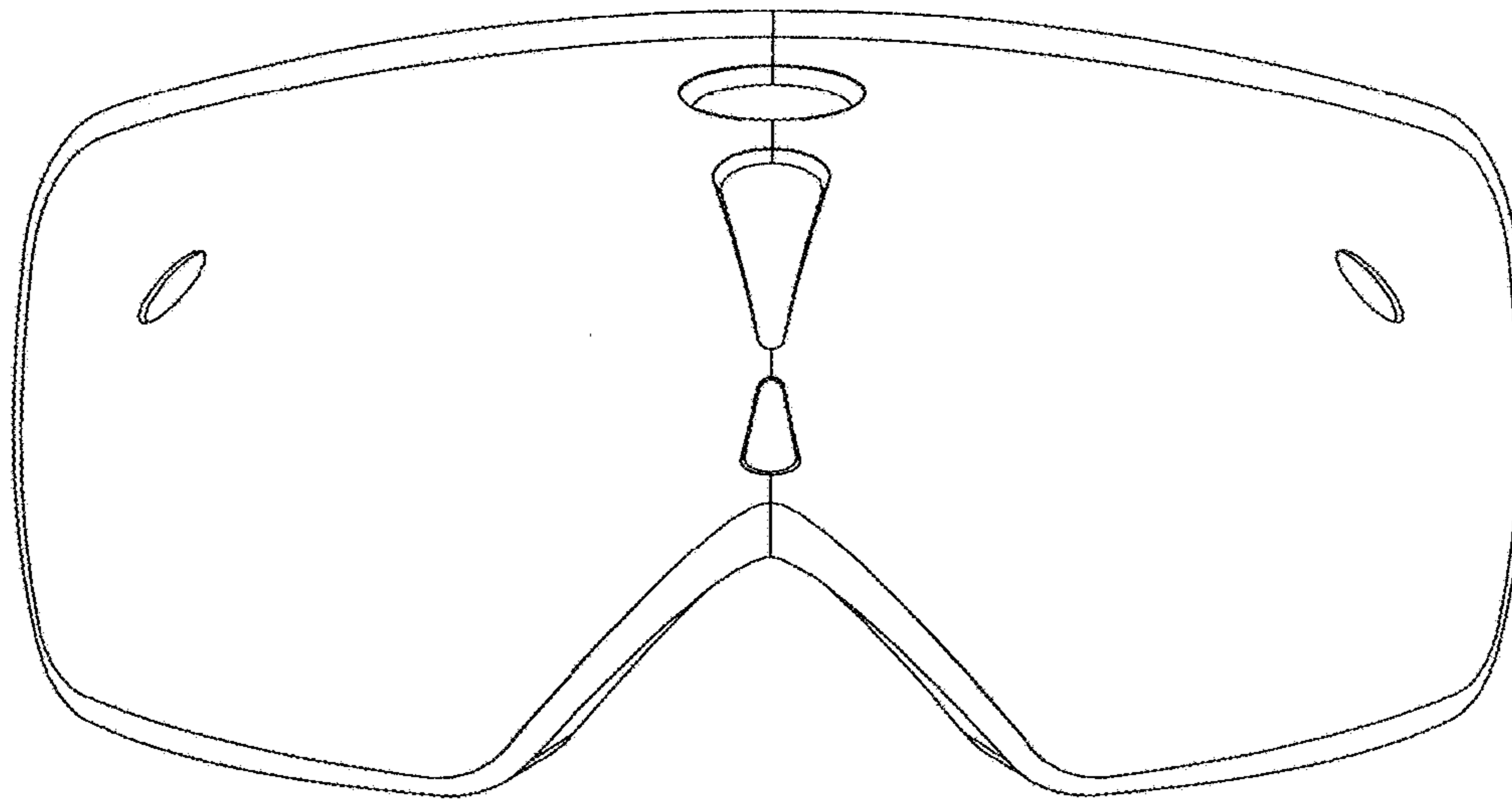


FIGURE 1

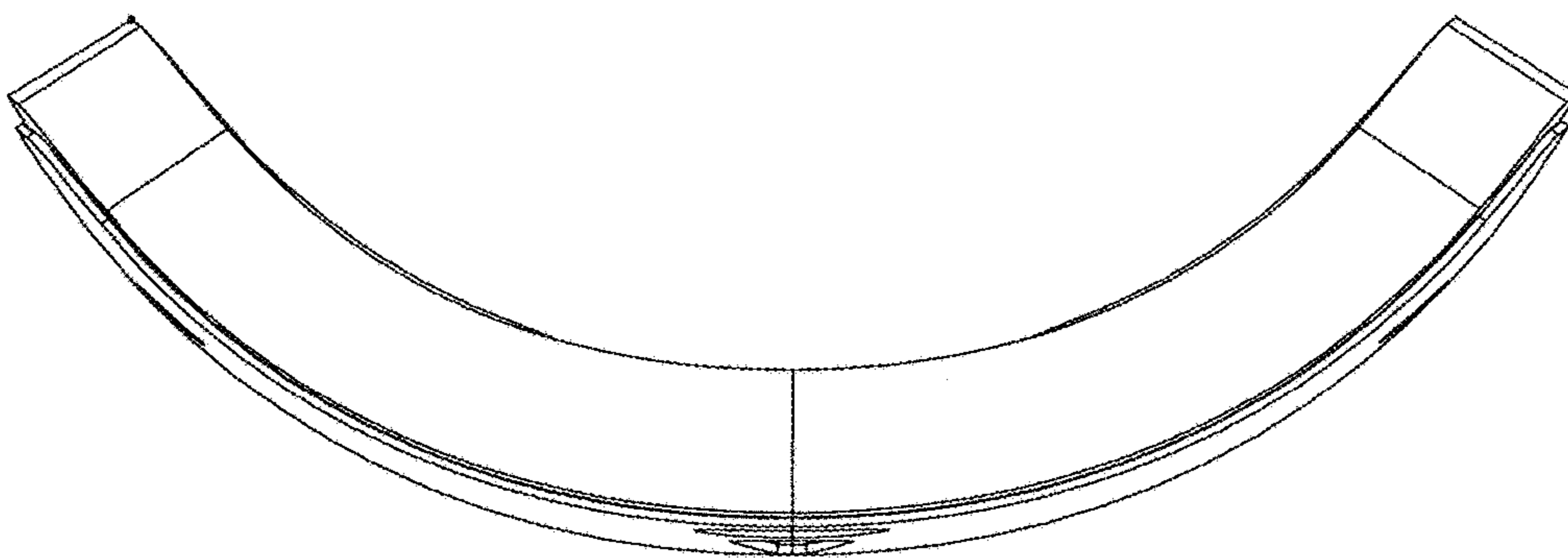


FIGURE 2

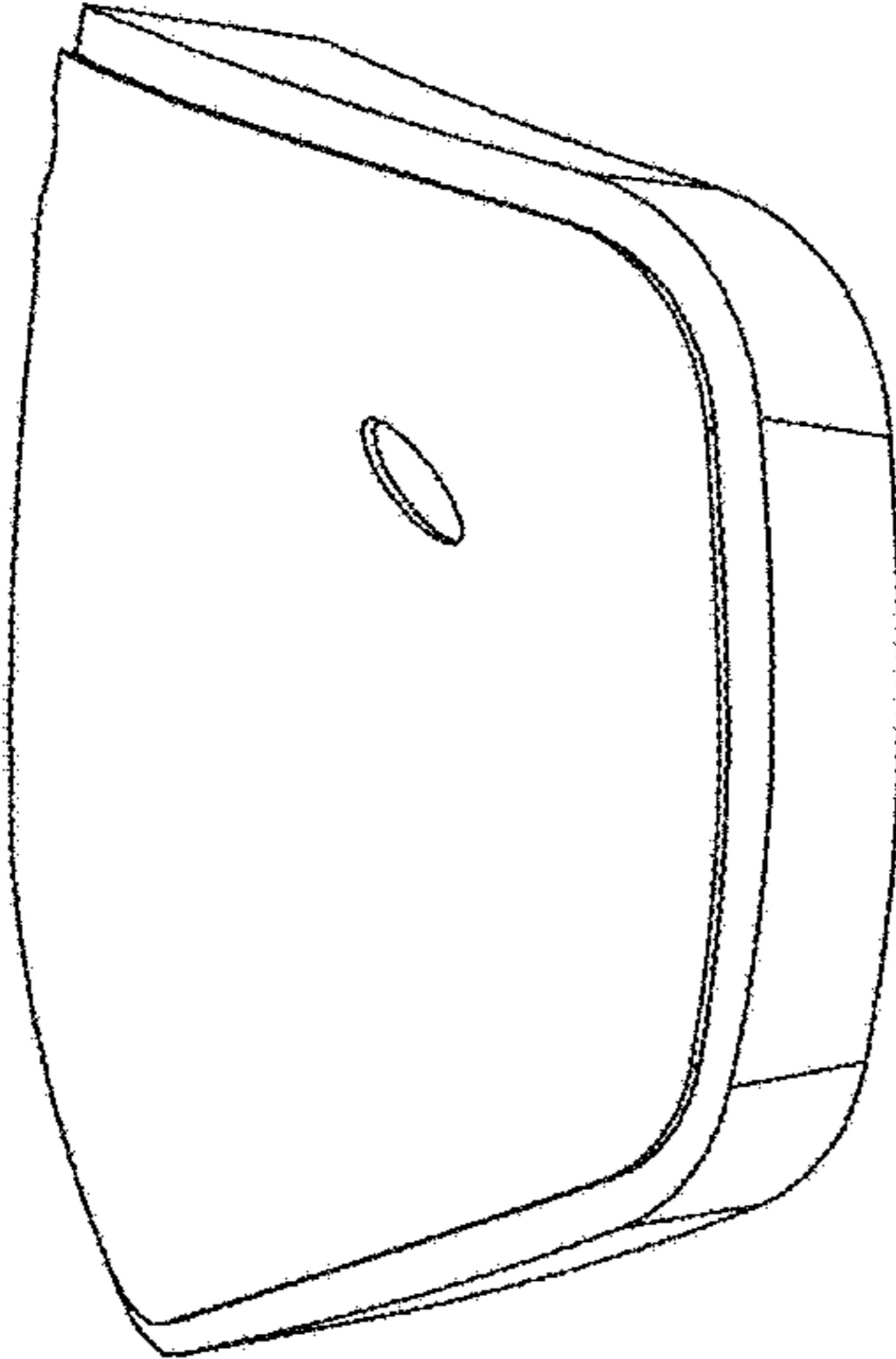


FIGURE 3

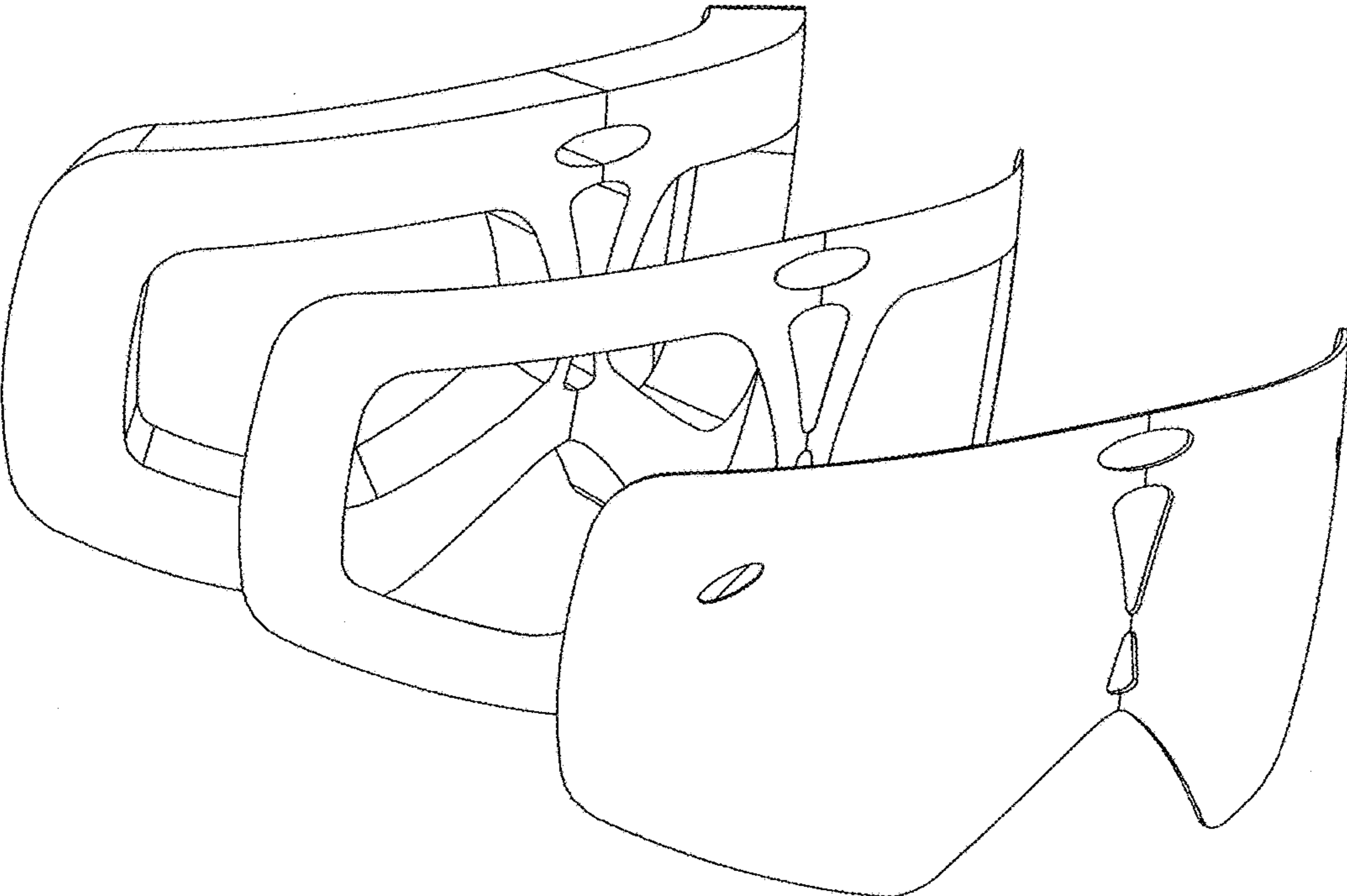


FIGURE 4