



US00D821036S

(12) **United States Design Patent**
Mahoney

(10) **Patent No.:** **US D821,036 S**

(45) **Date of Patent:** **** *Jun. 19, 2018**

(54) **MOUTH GUARD WITH ATTACHED EXTERIOR GUARD**

(71) Applicant: **Daniel J Mahoney**, Fairfax, CA (US)

(72) Inventor: **Daniel J Mahoney**, Fairfax, CA (US)

(*) Notice: This patent is subject to a terminal disclaimer.

(**) Term: **15 Years**

(21) Appl. No.: **29/604,830**

(22) Filed: **May 21, 2017**

(51) **LOC (11) Cl.** **29-02**

(52) **U.S. Cl.**
USPC **D29/108**

(58) **Field of Classification Search**
USPC D29/100, 105, 106, 108, 122; D24/108, D24/109, 110, 110.5, 156, 176, 181
CPC . A61F 5/566; A61F 5/58; A63B 71/08; A63B 71/081; A63B 71/085; A63B 2071/085; A63B 2071/088; A63B 13/00; A63B 13/24; A61C 7/10; A61C 13/08; A61C 13/081; A61C 13/083; A61C 13/087; A61C 19/066; A61C 5/14; A61B 13/00; A61B 13/24

See application file for complete search history.

(56) **References Cited**

U.S. PATENT DOCUMENTS

2,966,908	A *	1/1961	Cathcart	A63B 71/085	128/861
3,207,153	A *	9/1965	Goldstein	A63B 71/085	128/862
3,223,085	A *	12/1965	Gores	A63B 71/085	128/861
3,228,107	A *	1/1966	Zandberg	A61C 19/05	433/71
3,234,942	A *	2/1966	Simor	A61C 19/063	604/20

3,236,235	A *	2/1966	Jacobs	A63B 71/085	128/862
3,312,218	A *	4/1967	Jacobs	A63B 71/085	128/862
3,333,582	A *	8/1967	Cathcart	A63B 71/085	128/862
3,411,501	A *	11/1968	Greenberg	A63B 71/085	128/862
3,496,936	A *	2/1970	Gores	A63B 71/085	128/861
3,505,995	A *	4/1970	Greenberg	A63B 71/085	128/862
3,878,610	A *	4/1975	Coscina	A61C 9/0006	433/37
5,259,762	A *	11/1993	Farrell	A61C 7/08	433/215

(Continued)

Primary Examiner — Elizabeth J Oswecki

(74) *Attorney, Agent, or Firm* — Steven A. Nielsen;
www.NielsenPatents.com

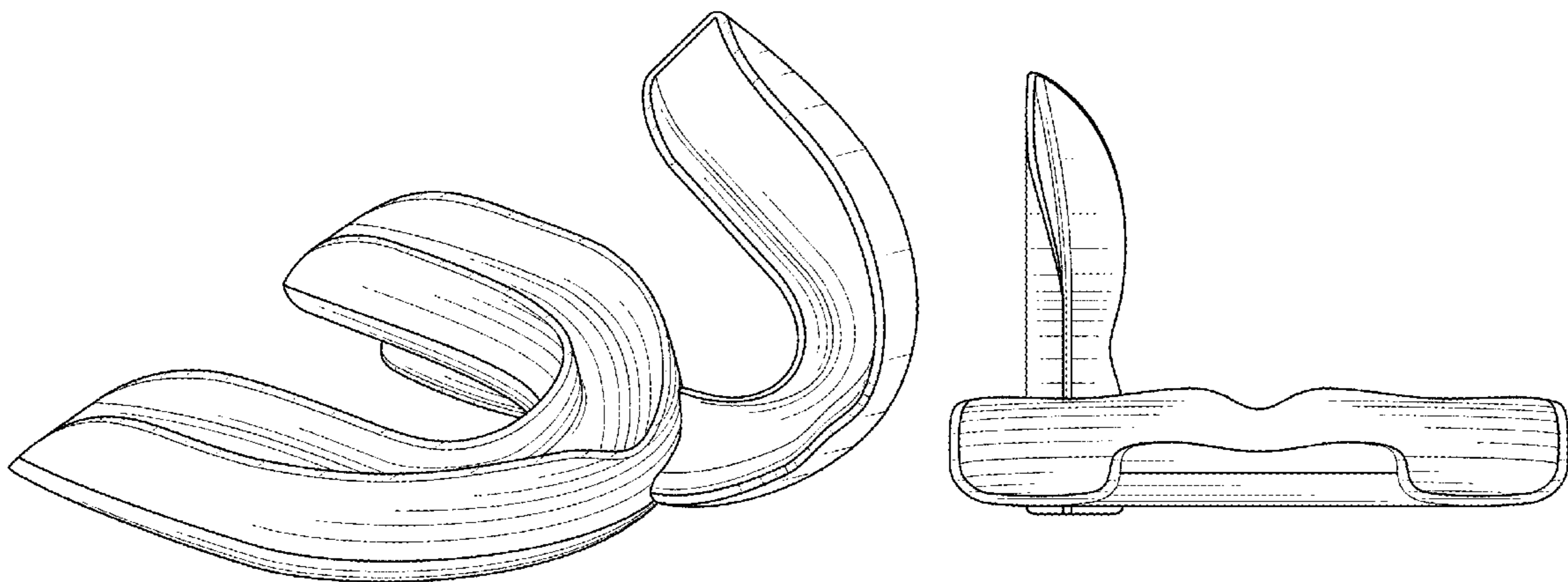
(57) **CLAIM**

The ornamental design for a mouth guard with attached exterior guard, as shown and described.

DESCRIPTION

FIG. 1 is a top, side perspective view of a mouth guard with attached exterior guard showing my new design;
FIG. 2 is a back view thereof;
FIG. 3 is a front view thereof;
FIG. 4 is a left side view thereof;
FIG. 5 is a right side view thereof;
FIG. 6 is a top view thereof;
FIG. 7 is a bottom view thereof;
FIG. 8 is a perspective view thereof, shown in a used condition by a human figure shown in broken lines, and,
FIG. 9 is another perspective view thereof, shown in a used condition by a human figure shown in broken lines.
The dotted lines of FIGS. 8 and 9 illustrate a human figure and form no part of the claimed design.

1 Claim, 6 Drawing Sheets



(56)

References Cited

U.S. PATENT DOCUMENTS

D343,928 S 2/1994 Kittelsen
 D382,965 S * 8/1997 Wagner D29/108
 D406,647 S * 3/1999 Wagner D24/181
 6,280,196 B1 * 8/2001 Berghash A61C 5/00
 433/215
 D452,011 S 12/2001 Redhage
 6,450,167 B1 * 9/2002 David A61C 7/08
 128/848
 6,491,036 B2 * 12/2002 Cook A63B 71/085
 128/859
 6,494,210 B1 * 12/2002 Mams A63B 71/085
 128/859
 6,553,569 B2 4/2003 Bush
 D492,785 S * 7/2004 Garabito D24/181
 6,830,051 B1 * 12/2004 Lesniak A61F 5/566
 128/859
 D504,744 S * 5/2005 Hidalgo D29/108

D537,986 S 3/2007 Manzo
 D539,429 S * 3/2007 Wong D24/181
 D541,481 S * 4/2007 Farrell D29/108
 D554,259 S * 10/2007 Diacopoulos D24/181
 D593,714 S * 6/2009 Hirshberg D29/108
 8,116,854 B2 * 2/2012 Hart A61O 5/14
 249/117
 D663,486 S 7/2012 Turkbash et al.
 D710,506 S * 8/2014 Tolentino D24/181
 D727,571 S * 4/2015 Brett D29/108
 9,622,837 B2 * 4/2017 Jansheski A61C 9/0006
 2004/0146836 A1 * 7/2004 Andersen A61C 5/00
 433/215
 2006/0084024 A1 * 4/2006 Farrell A61C 7/08
 433/6
 2010/0051038 A1 * 3/2010 Quigless A63B 71/085
 128/861
 2012/0190481 A1 7/2012 Bernard
 2012/0192875 A1 8/2012 Small

* cited by examiner

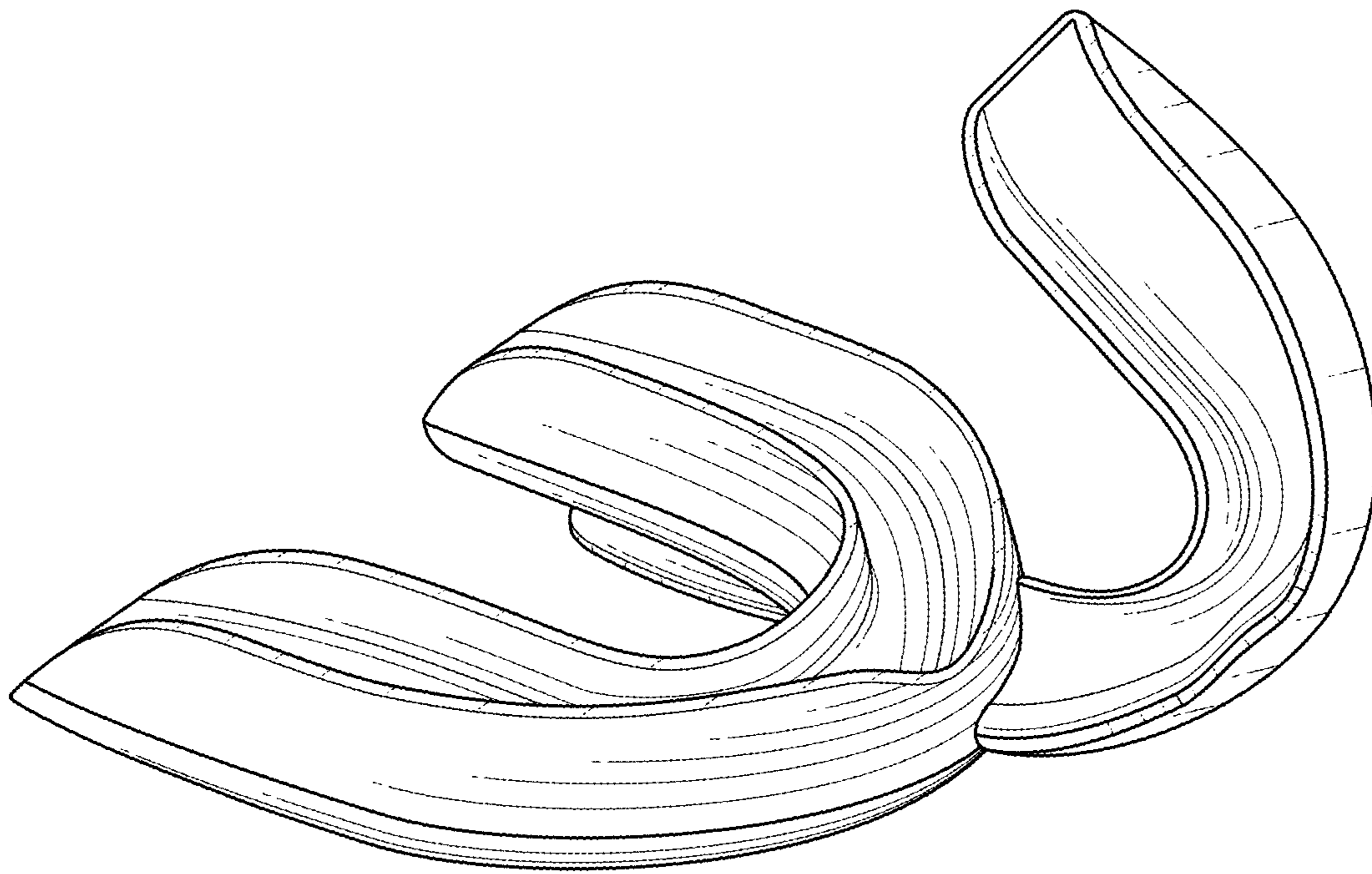


FIG. 1

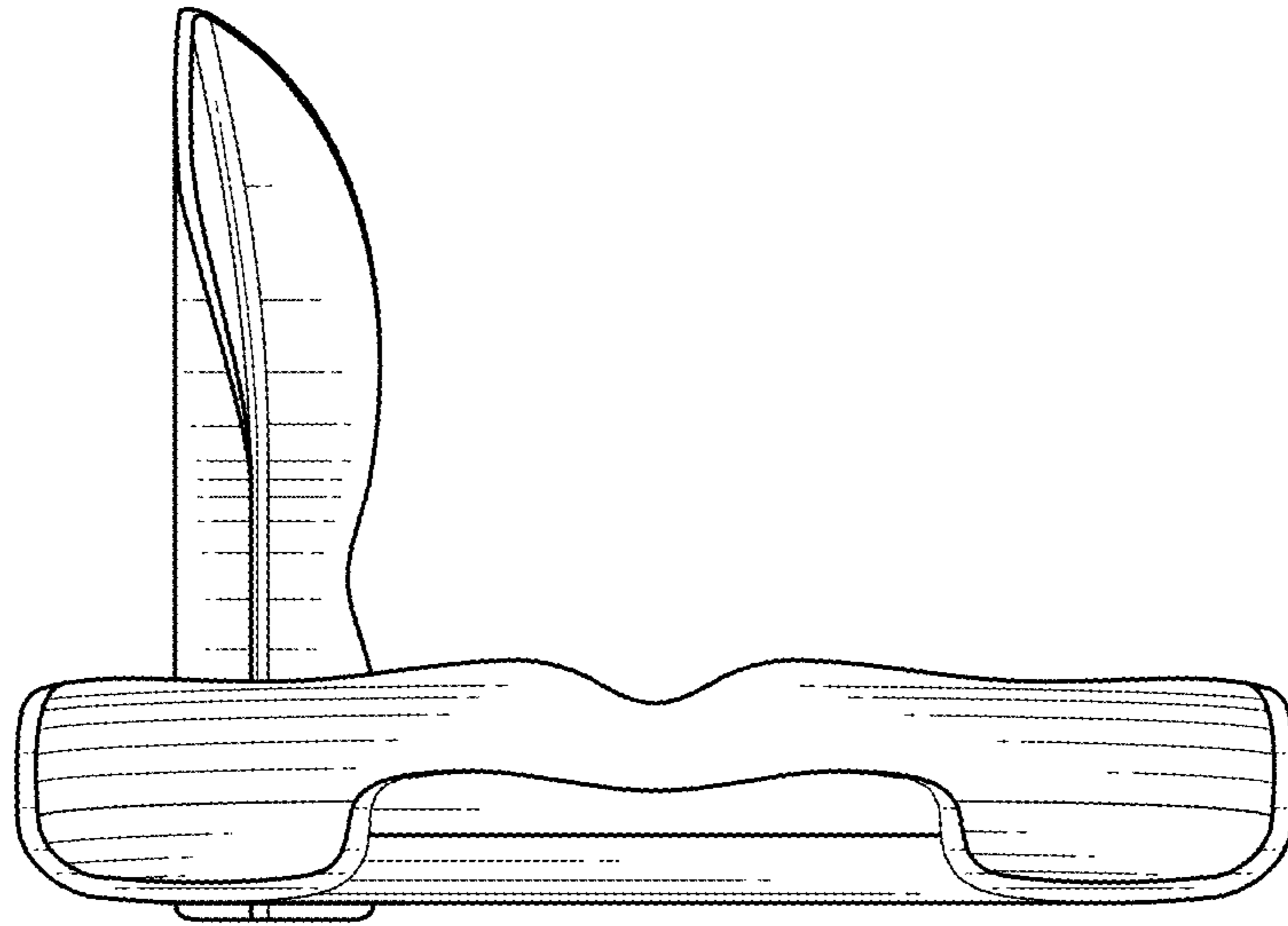


FIG. 2

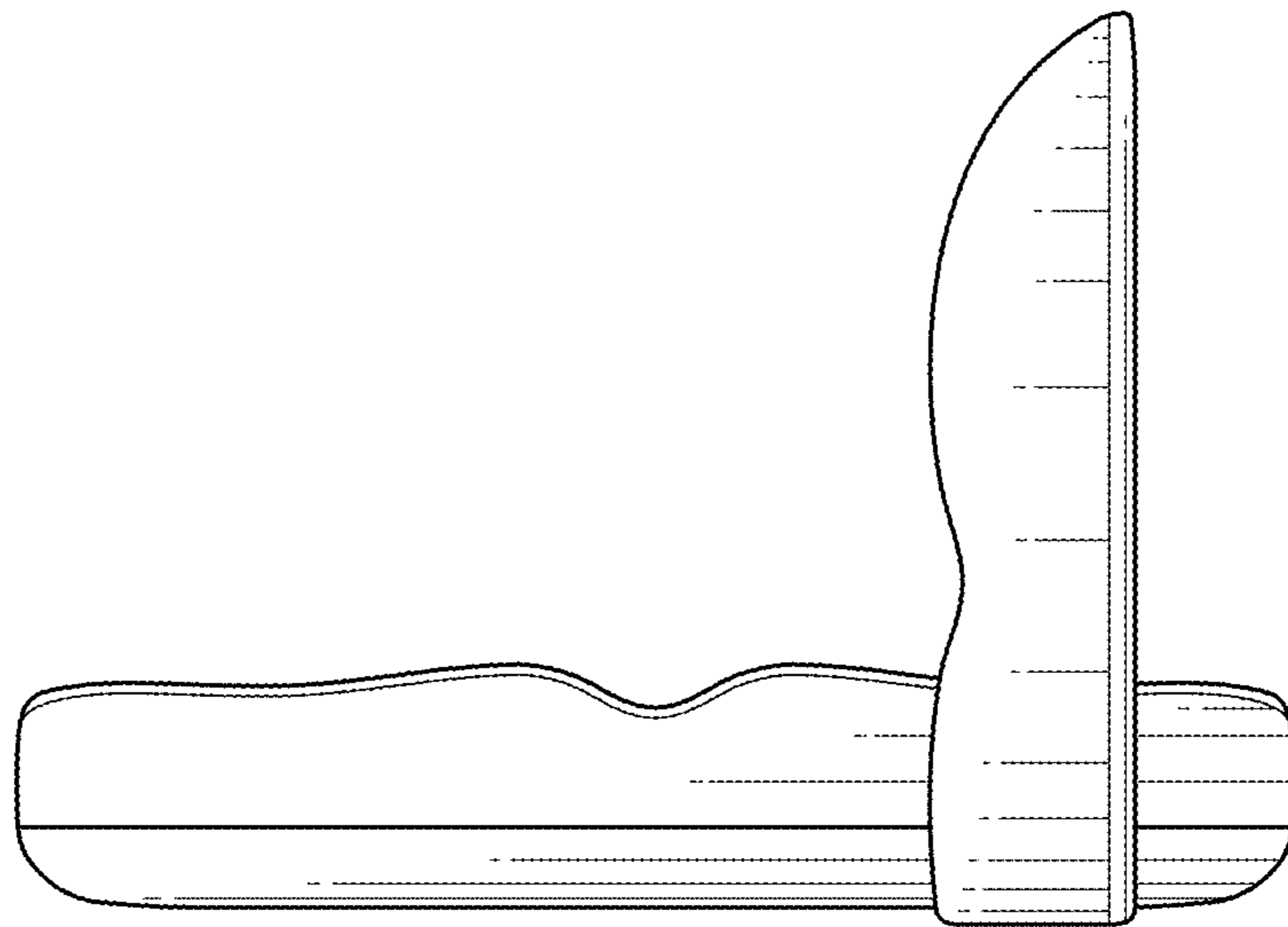


FIG. 3

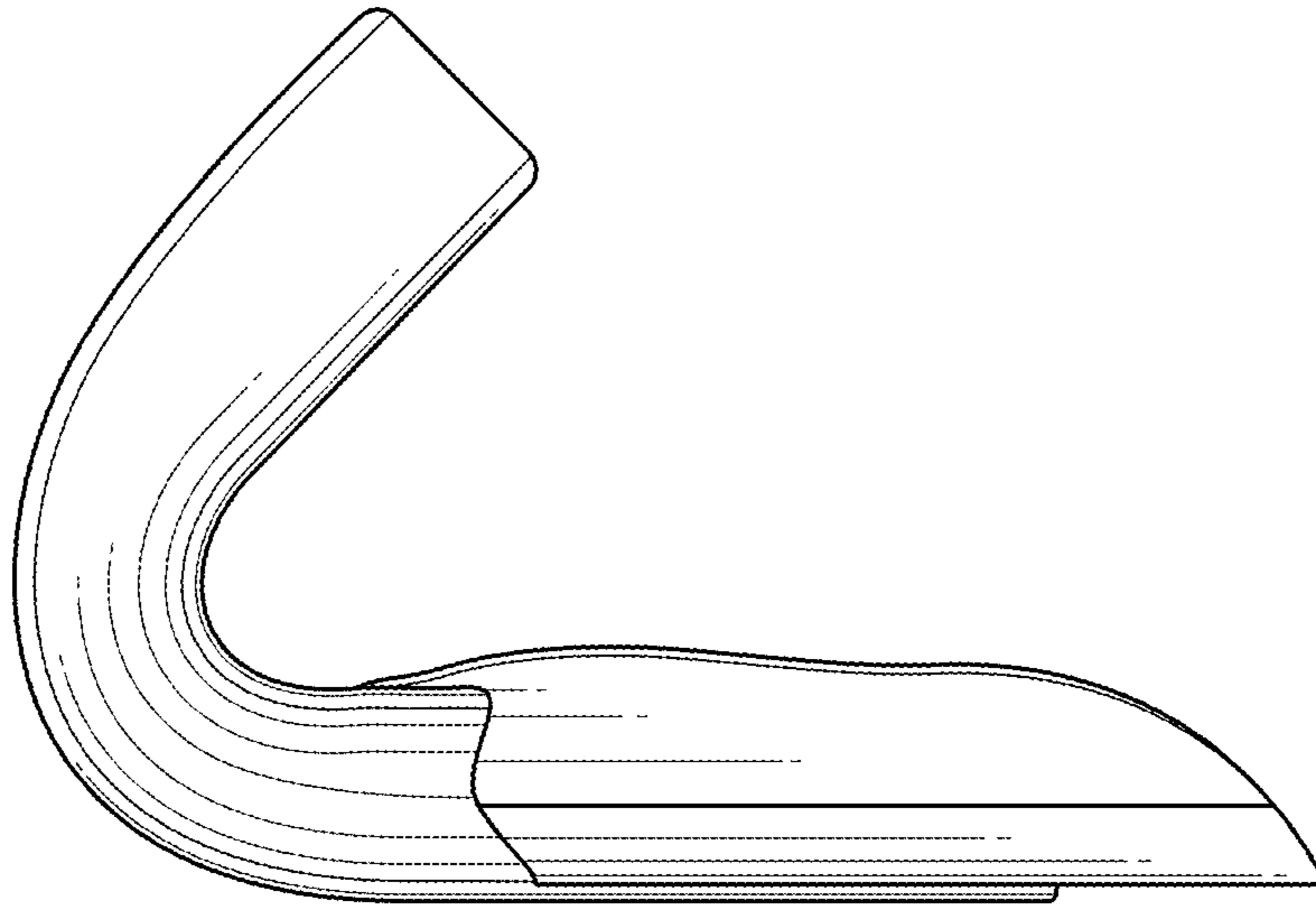


FIG. 4

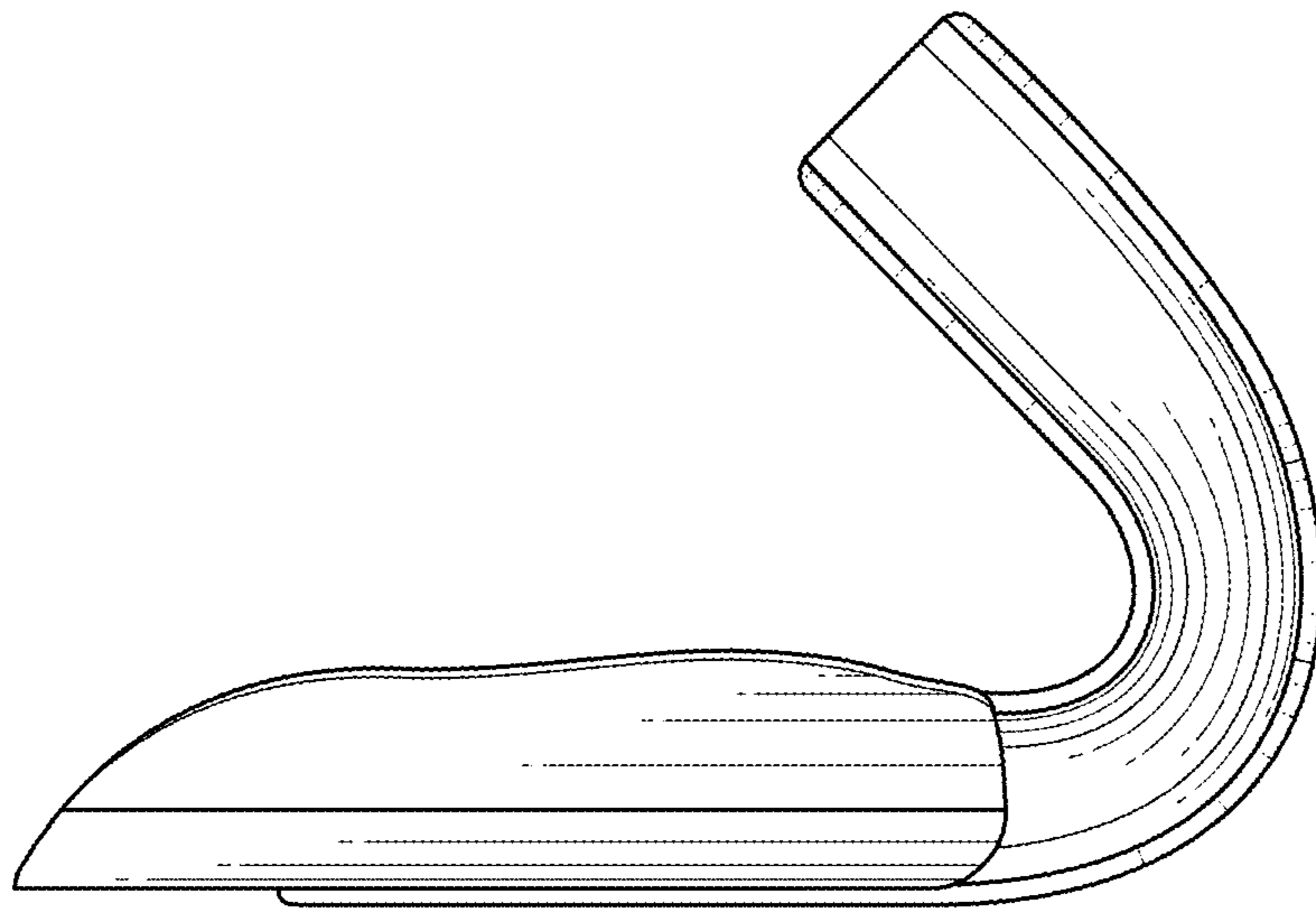


FIG. 5

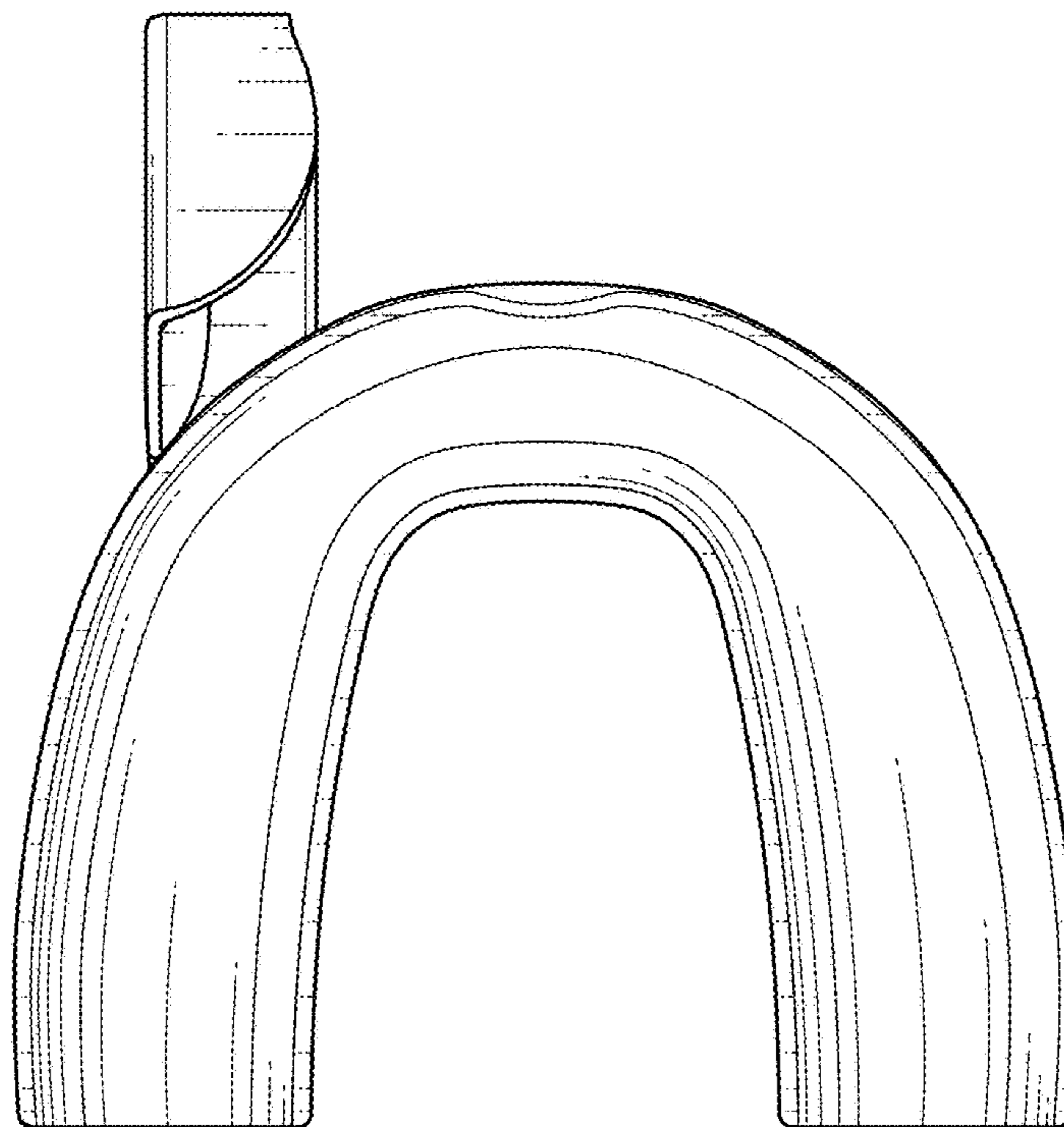


FIG. 6

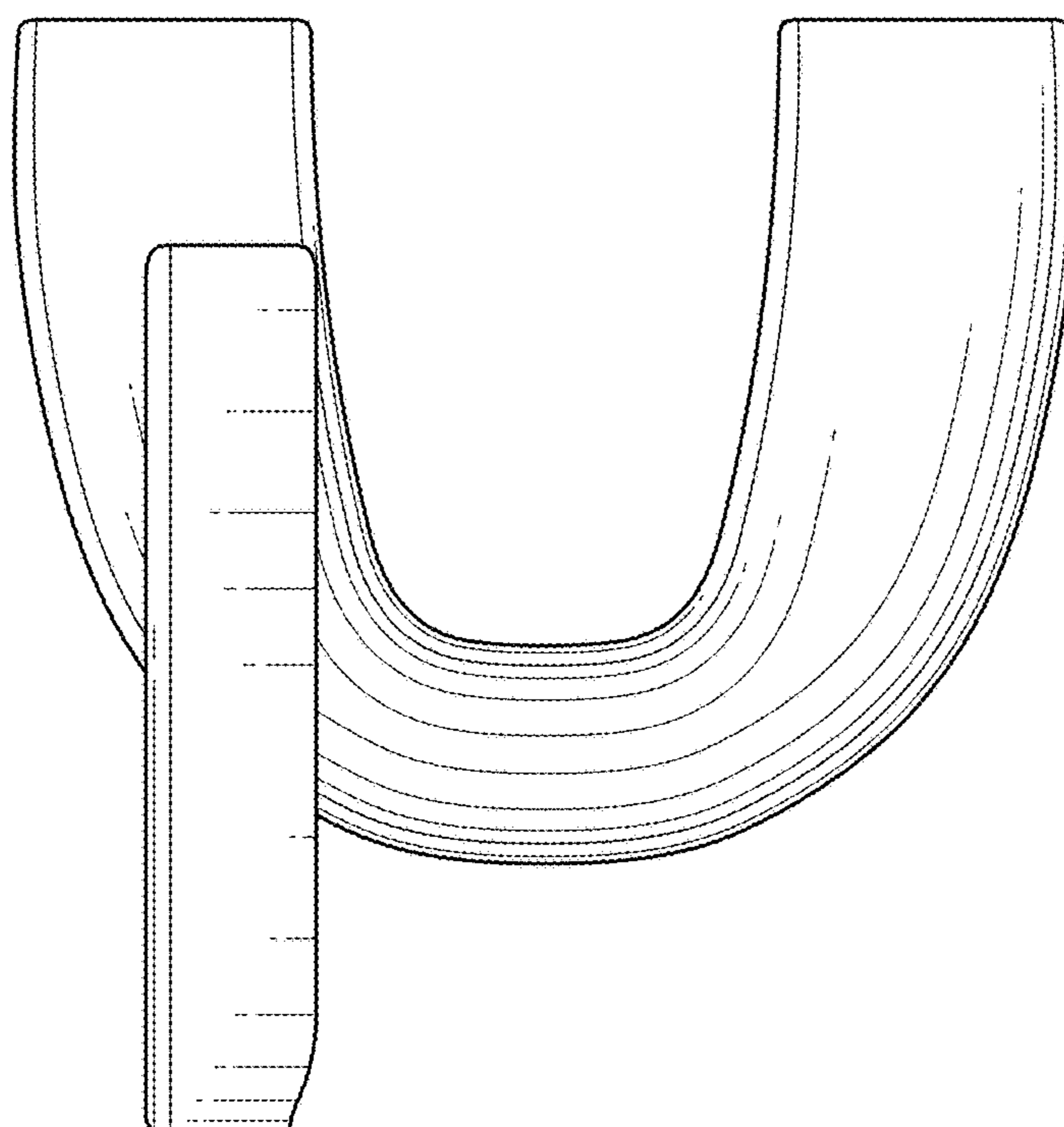


FIG. 7

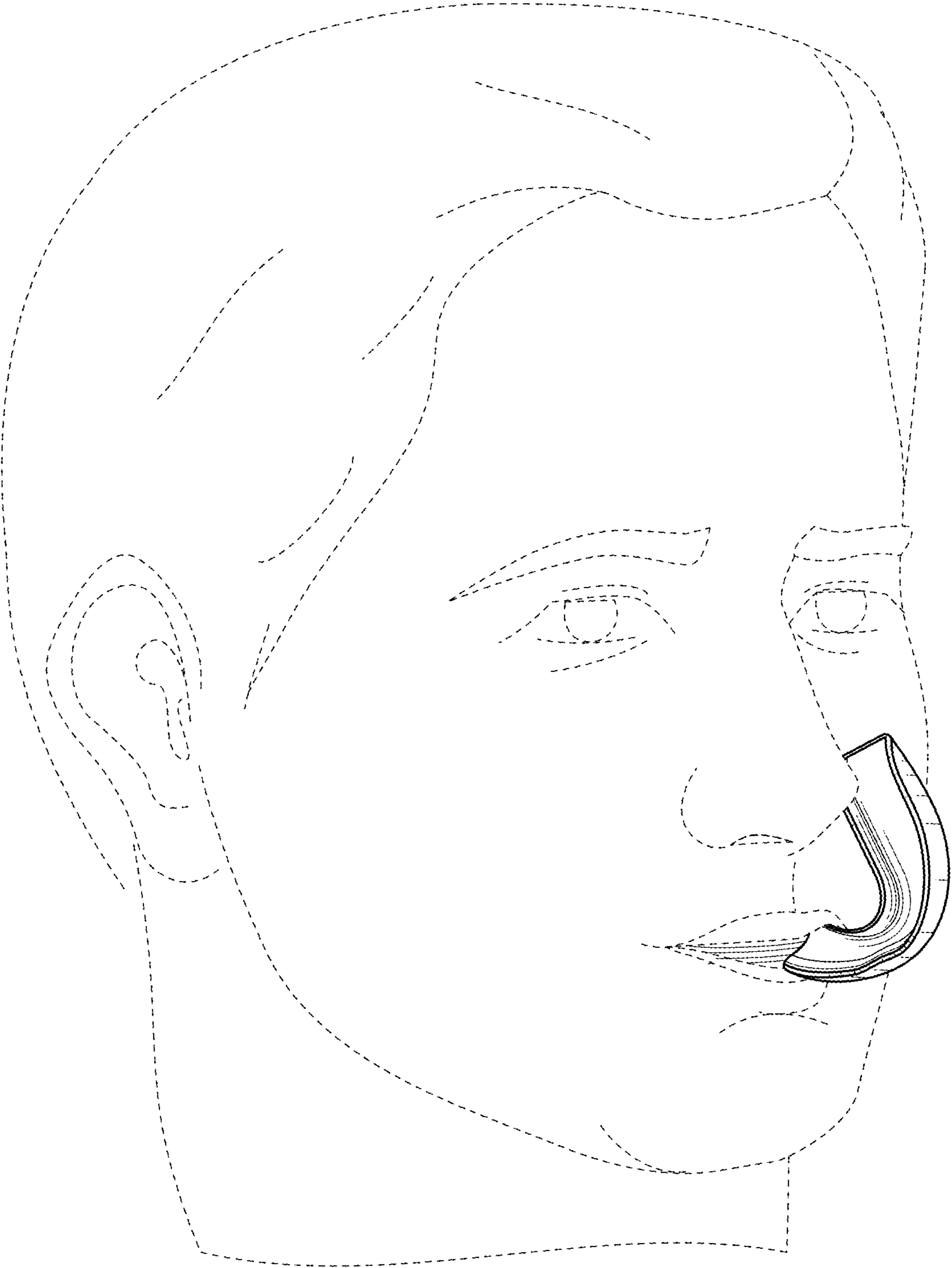


FIG. 8

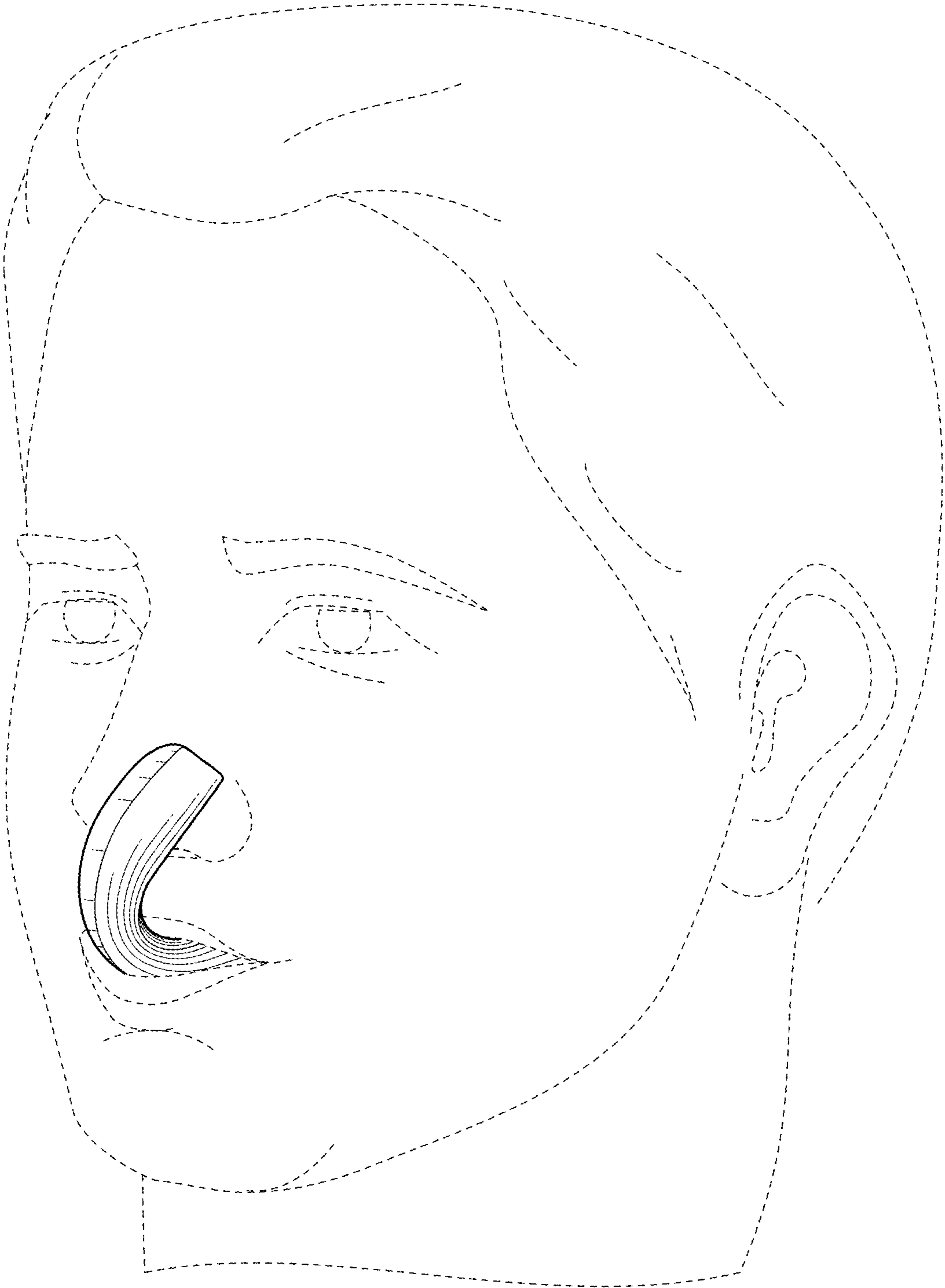


FIG. 9