



US00D821033S

(12) **United States Design Patent** (10) **Patent No.:** **US D821,033 S**  
**Boyle et al.** (45) **Date of Patent:** **\*\* Jun. 19, 2018**

(54) **NAIL POLISH CONTAINER HOLDER**  
(71) Applicant: **Station 22, LLC**, Sullivans Island, SC (US)  
(72) Inventors: **Elizabeth Boyle**, Sullivans Island, SC (US); **Mark Milette**, Sullivans Island, SC (US)  
(73) Assignee: **Station 22, LLC**, Sullivans Island, SC (US)

2,970,379 A 2/1961 Hardgrove  
3,327,391 A 6/1967 Malm  
3,900,018 A 8/1975 Piunno  
D241,314 S \* 9/1976 Hug ..... D11/27  
D242,646 S 12/1976 Shorin et al.  
4,646,953 A 3/1987 Marshal et al.  
4,795,117 A 1/1989 Siteman  
4,844,308 A \* 7/1989 Porteous ..... A61C 19/006  
206/63.5  
D305,214 S \* 12/1989 Campbell ..... D11/26  
(Continued)

(\*\*) Term: **15 Years**  
(21) Appl. No.: **29/593,484**  
(22) Filed: **Feb. 9, 2017**

FOREIGN PATENT DOCUMENTS

AU 2011254057 A1 6/2013  
DE 4224701 A1 1/1994  
(Continued)

**Related U.S. Application Data**

(63) Continuation of application No. 15/167,080, filed on May 27, 2016, which is a continuation of application No. 14/683,952, filed on Apr. 10, 2015, now Pat. No. 9,585,455.  
(51) **LOC (11) Cl.** ..... **28-03**  
(52) **U.S. Cl.**  
USPC ..... **D28/57**; D28/61  
(58) **Field of Classification Search**  
USPC ..... D28/56-62; D11/26-27  
CPC .. A45D 29/22; A45D 34/00; A45D 2034/002;  
A45D 29/00  
See application file for complete search history.

OTHER PUBLICATIONS

Karpati nail care from Australia.  
(Continued)  
*Primary Examiner* — Jennifer Rivard  
(74) *Attorney, Agent, or Firm* — Wiggin and Dana LLP;  
Jonathan D. Hall; Gregory S. Rosenblatt

(56) **References Cited**

U.S. PATENT DOCUMENTS

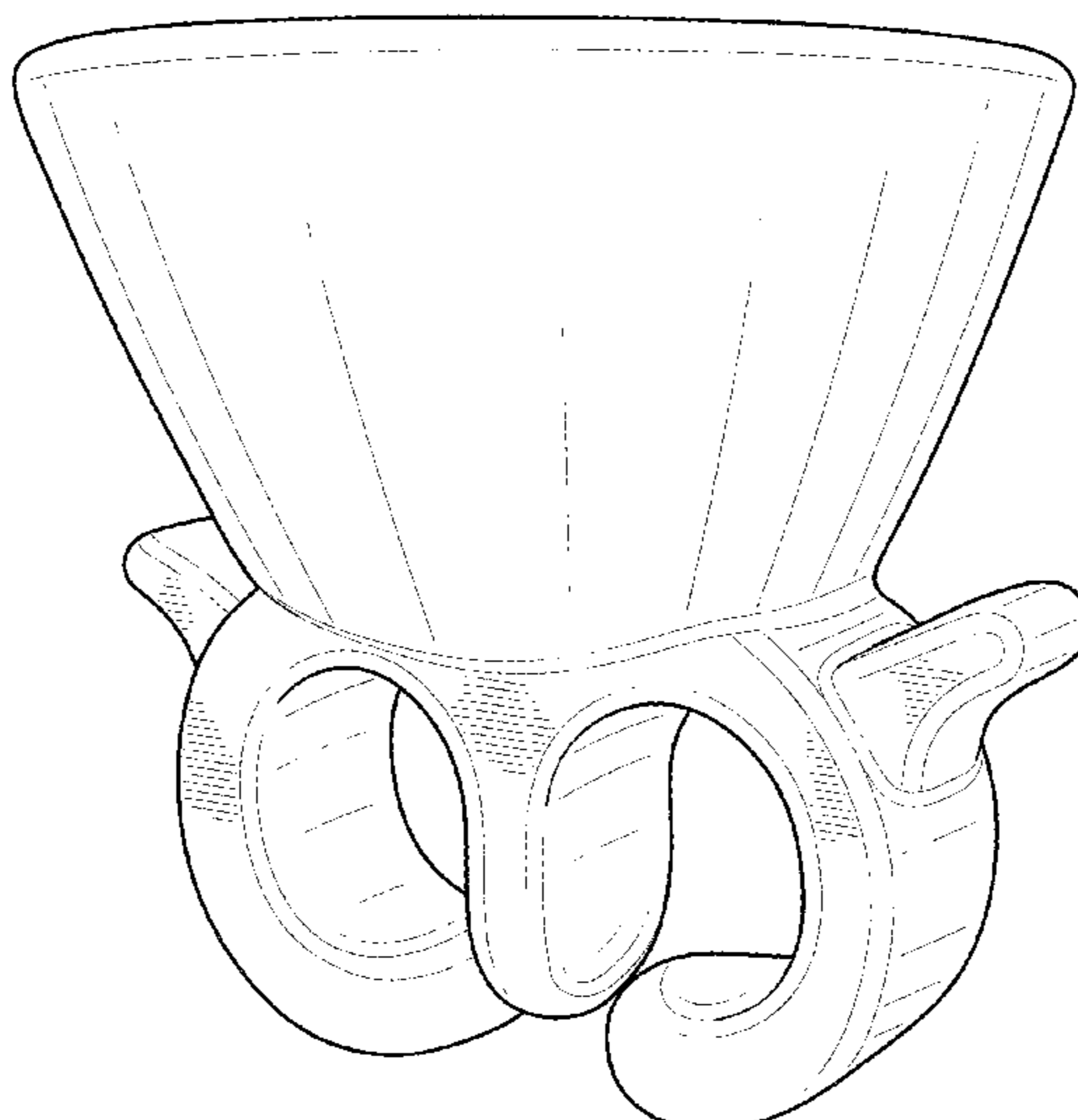
1,724,129 A \* 8/1929 Cramer ..... A44C 9/0076  
224/217  
2,140,231 A 12/1938 Jefferis  
2,356,722 A 8/1944 Harris  
2,539,940 A 1/1951 Abramson  
2,748,952 A 6/1956 Fleit et al.  
2,865,384 A 12/1958 Noon

(57) **CLAIM**  
The ornamental design for a nail polish container holder, as shown and described.

**DESCRIPTION**

FIG. 1 is a front perspective view of a new design for a nail polish container holder;  
FIG. 2 is a front elevation view thereof;  
FIG. 3 is a back elevation view thereof;  
FIG. 4 is a right side plan view thereof;  
FIG. 5 is a left side plan view thereof;  
FIG. 6 is a top plan view thereof; and,  
FIG. 7 is a bottom plan view thereof.

**1 Claim, 7 Drawing Sheets**



(56)

References Cited

U.S. PATENT DOCUMENTS

D318,248 S \* 7/1991 Samaras ..... D11/26  
 5,048,731 A 9/1991 Moreschini  
 5,112,227 A 5/1992 Bull  
 5,287,584 A 2/1994 Skinner  
 5,562,732 A 10/1996 Eisenberg  
 5,567,070 A \* 10/1996 Ficcadenti ..... A45D 29/22  
 132/73  
 5,622,062 A 4/1997 Gong-Hwa  
 5,664,711 A 9/1997 Mellon  
 D386,086 S \* 11/1997 Kotoucek ..... 401/126  
 D389,414 S \* 1/1998 Kotoucek ..... D9/542  
 5,732,862 A 3/1998 Bull  
 5,743,500 A 4/1998 Northway  
 5,881,734 A 3/1999 Traves  
 5,913,312 A 6/1999 Donnell  
 D453,397 S 2/2002 Choi  
 6,397,633 B1 6/2002 Wu  
 D493,574 S 7/2004 Cheeks  
 6,763,681 B1 7/2004 Klundt  
 D592,092 S \* 5/2009 Flynn ..... D11/26  
 D700,744 S \* 3/2014 An ..... D28/57  
 D704,890 S \* 5/2014 Sturge ..... D28/61  
 8,881,744 B2 11/2014 McKinstry  
 9,144,259 B2 9/2015 McKinstry  
 9,259,072 B2 2/2016 Friedman  
 9,491,998 B2 \* 11/2016 Tranchant ..... A45D 29/12  
 9,585,455 B2 \* 3/2017 Boyle ..... A45D 29/00

2002/0178748 A1 12/2002 Pappas-Confer  
 2004/0096259 A1 5/2004 Theile  
 2004/0206649 A1 10/2004 Chen  
 2007/0181618 A1 8/2007 Nagy et al.  
 2007/0278267 A1 12/2007 Stierstorfer  
 2008/0087043 A1 4/2008 Dussin  
 2012/0118016 A1 5/2012 Maloney  
 2014/0272786 A1 9/2014 Olsen  
 2016/0193740 A1 \* 7/2016 Phillips ..... B26B 21/527  
 30/34.05

FOREIGN PATENT DOCUMENTS

EP 0 026 667 A1 10/1981  
 EP 0 677 258 A1 10/1995  
 WO 2013/118091 A1 8/2013

OTHER PUBLICATIONS

Nail polish bottle holder.  
 Finger nail seat.  
 Rubber nail polish bottle holder stand.  
 Debra Lynn toe separator.  
 Salon services polish holder.  
 Berkely rubber bottle holder BottleHug Model 501.  
 Bottlehug bottle holder by Berkeley.  
 Rubber bottle holder.  
 Lady bug spill proof nail polish holder.

\* cited by examiner

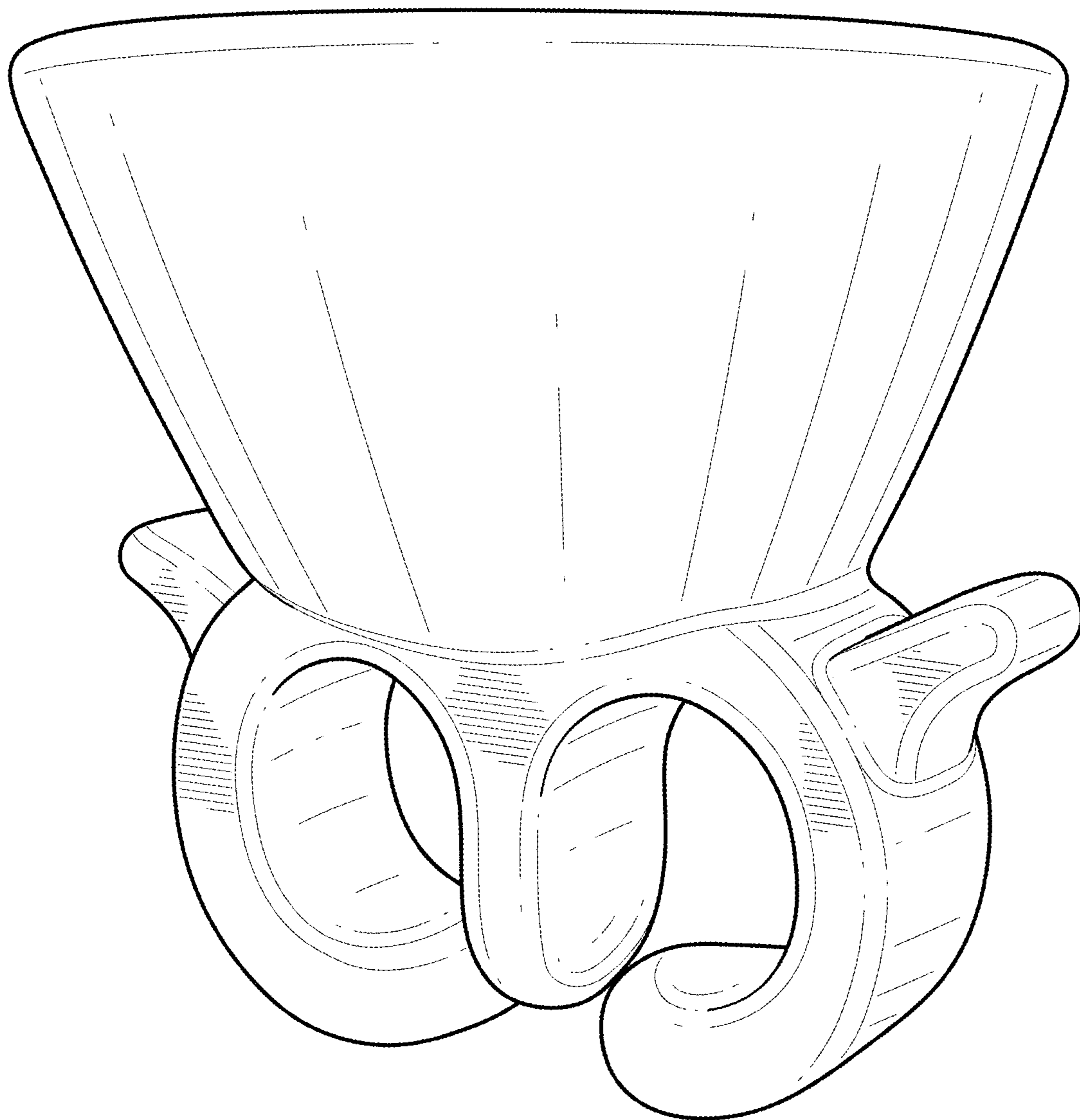


FIG. 1

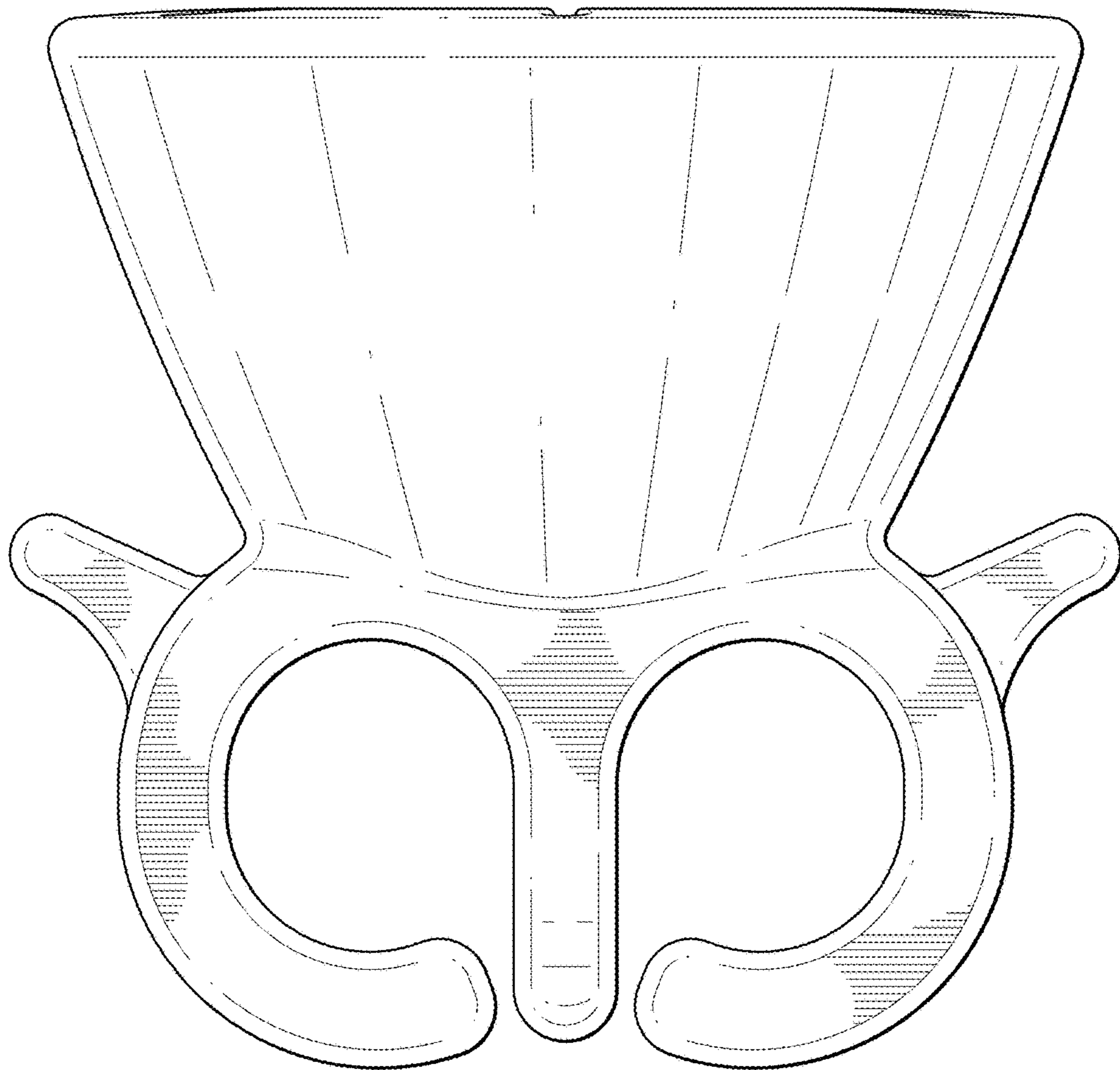


FIG. 2

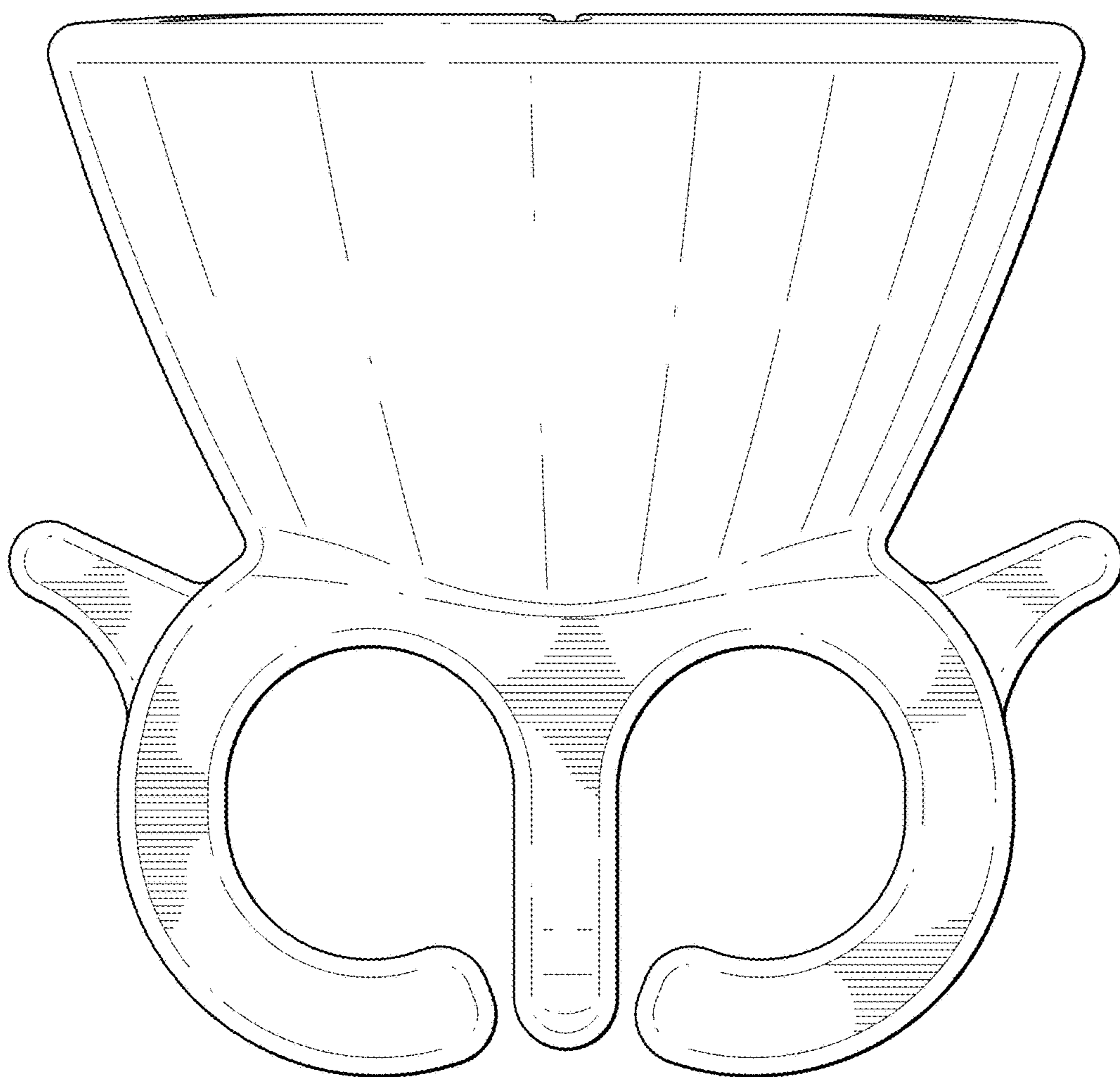


FIG. 3

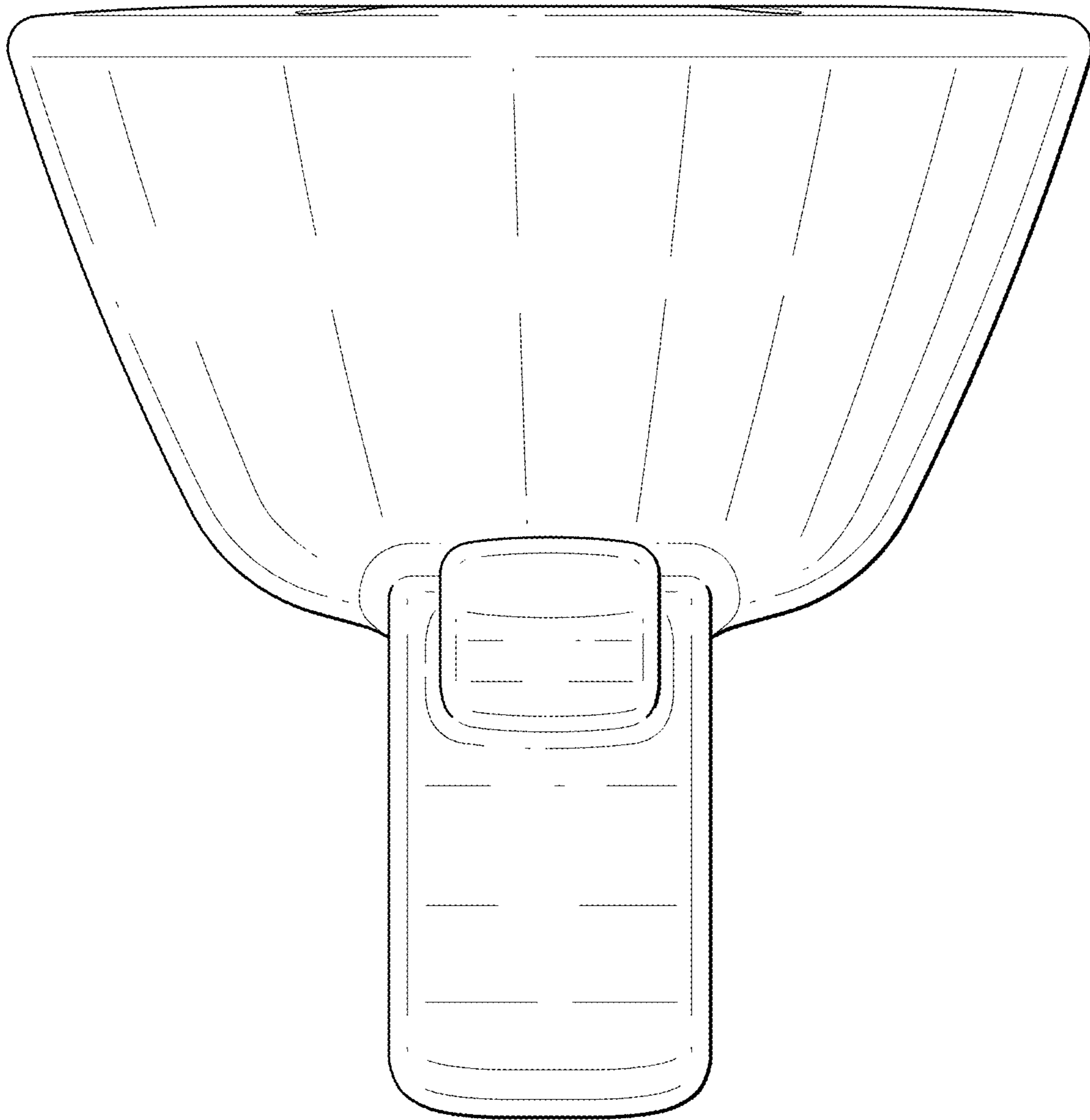


FIG. 4

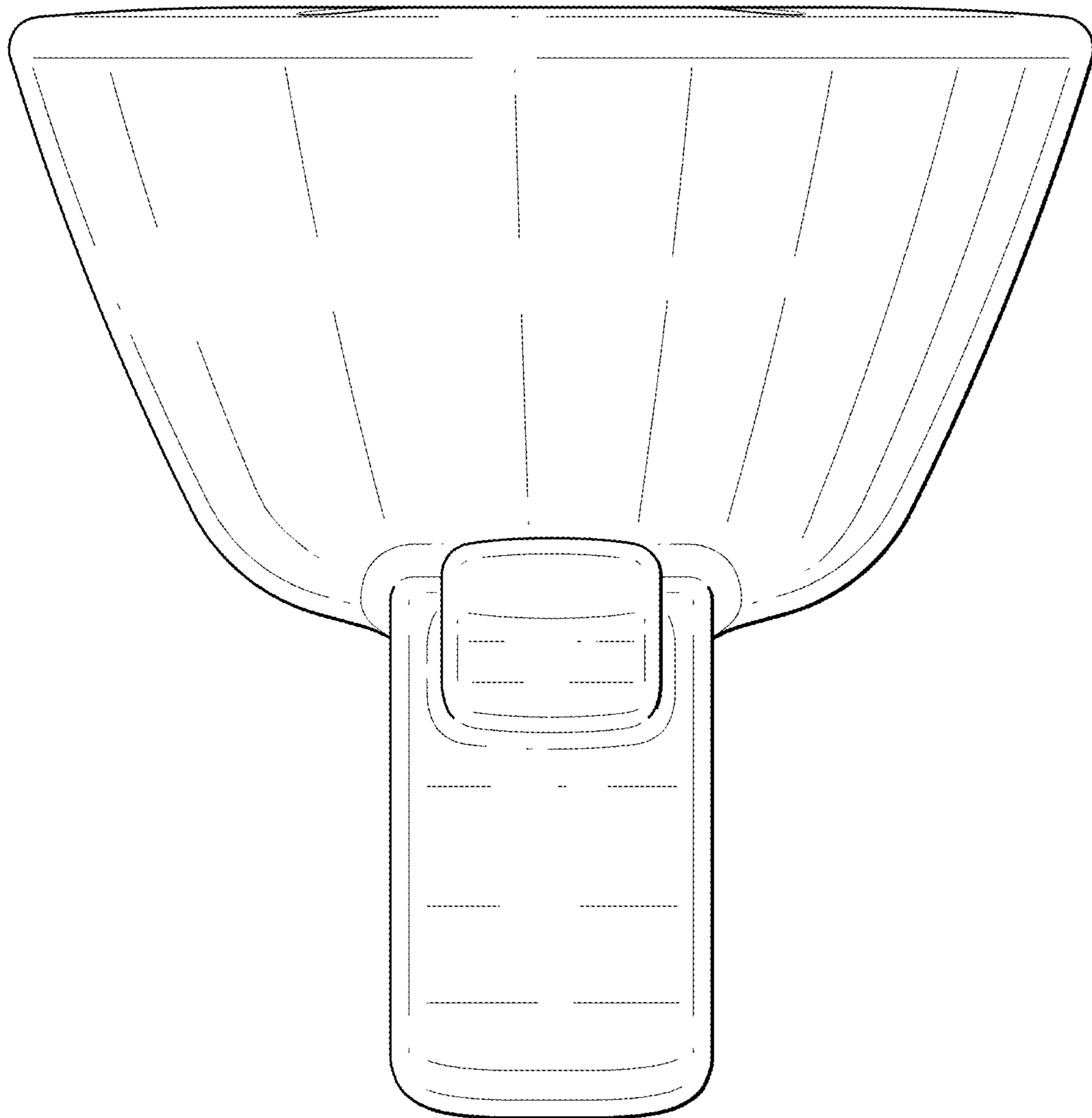


FIG. 5

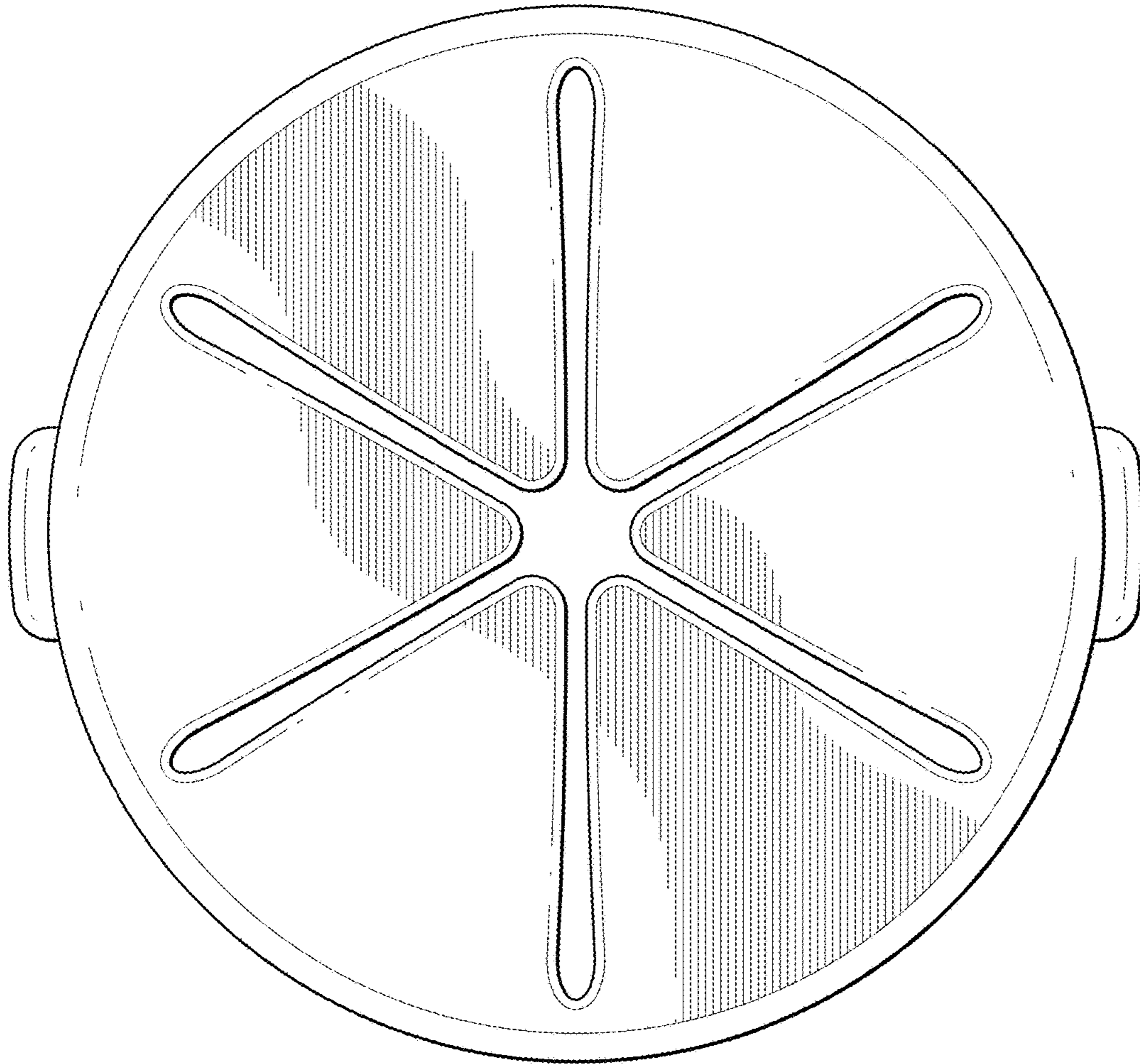


FIG. 6



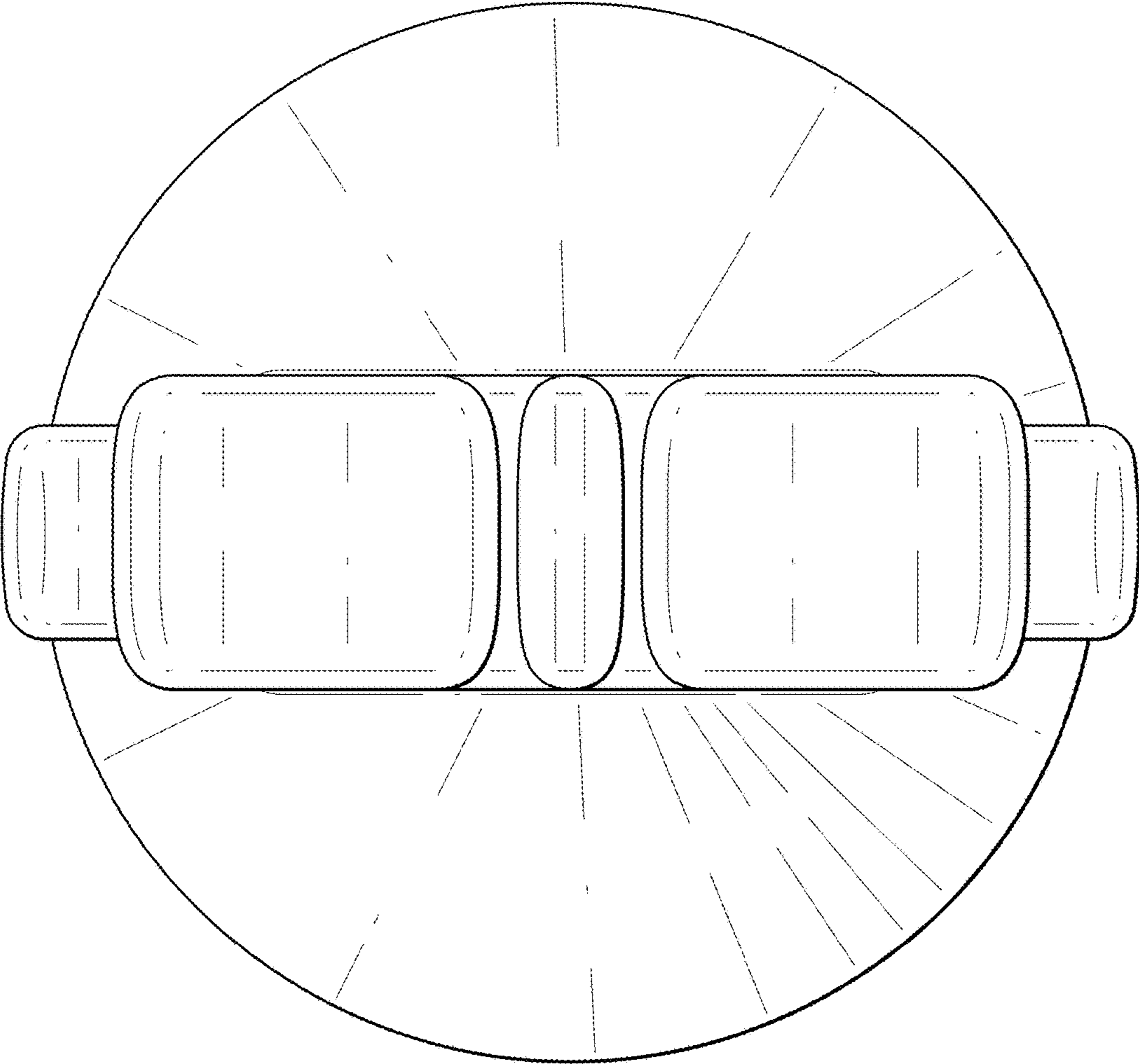


FIG. 7