



US00D821031S

(12) **United States Design Patent**
Feng

(10) **Patent No.:** **US D821,031 S**
(45) **Date of Patent:** **** Jun. 19, 2018**

- | | |
|--|---|
| (54) HAIRDRESSING APPARATUS | 4,477,716 A * 10/1984 Thaler A45D 1/04
132/232 |
| (71) Applicant: Shenzhen Lady Merry Technology Co., Ltd., Shenzhen (CN) | 4,581,519 A * 4/1986 Thaler A45D 1/04
132/232 |
| (72) Inventor: Ye Feng, Shenzhen (CN) | D293,610 S * 1/1988 Steinkamp D28/35
D293,830 S * 1/1988 Bell D28/35
4,731,519 A * 3/1988 Dieterle A45D 1/04
132/232 |
| (73) Assignee: Shenzhen Lady Merry Technology Co., Ltd., Shenzhen (CN) | 4,841,127 A * 6/1989 Prager A45D 1/04
132/232 |

(Continued)

(**) Term: **15 Years**

(21) Appl. No.: **29/578,441**

(22) Filed: **Sep. 21, 2016**

(51) **LOC (11) Cl.** **28-03**

(52) **U.S. Cl.**
USPC **D28/35**

(58) **Field of Classification Search**
USPC D28/10, 33, 35-38, 55-57, 60-61;
132/221, 245, 255, 211, 269, 169,
132/222-223, 224-225; 219/255, 222
CPC ... A45D 1/00; A45D 1/02; A45D 1/04; A45D
1/08; A45D 1/10; A45D 1/12; A45D
1/14; A45D 1/16; A45D 2/001
See application file for complete search history.

(56) **References Cited**

U.S. PATENT DOCUMENTS

- | |
|--|
| D236,290 S * 8/1975 McNair D28/35 |
| D238,455 S * 1/1976 Wolff 132/263 |
| D239,662 S * 4/1976 Rizzuto D28/12 |
| D239,663 S * 4/1976 Long D28/12 |
| D240,466 S * 7/1976 Rinaldi D28/35 |
| 4,163,143 A * 7/1979 Federico A45D 1/04
132/118 |
| 4,211,914 A * 7/1980 Jackson A45D 1/04
132/232 |
| D265,003 S * 6/1982 Groner D28/35 |
| 4,365,140 A * 12/1982 Bast A45D 1/04
132/232 |

OTHER PUBLICATIONS

LM-210 Curling Iron, Lady Merry, published at lady-merry.com, date/author not listed © 2018 Shenzhen ladymerry Technology Co., Ltd., online, site visited Apr. 4, 2018. Available from Internet, URL: <http://www.lady-merry.com/en/pd.jsp?id=34> (Year: 2018).*

(Continued)

Primary Examiner — Shannon W Morgan
Assistant Examiner — Altaira J Swangin
(74) *Attorney, Agent, or Firm* — Schmeiser, Olsen & Watts, LLP

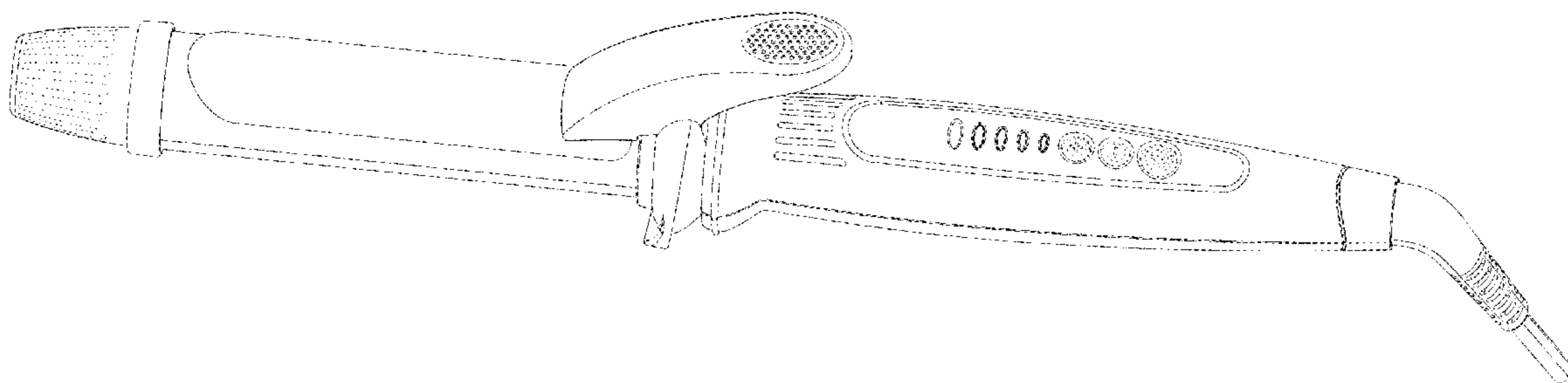
(57) **CLAIM**

The ornamental design for a hairdressing apparatus, as shown and described.

DESCRIPTION

FIG. 1 is a Front elevational view of a hairdressing apparatus showing my new design;
FIG. 2 is a Rear elevational view thereof;
FIG. 3 is a Left side view thereof;
FIG. 4 is a Right side view thereof;
FIG. 5 is a Top plan view thereof;
FIG. 6 is a Bottom plan view thereof; and,
FIG. 7 is a perspective view thereof.
The broken lines illustrate portions of the hairdressing apparatus and form no part of the claimed design.

1 Claim, 7 Drawing Sheets



(56)

References Cited

U.S. PATENT DOCUMENTS

4,857,702 A * 8/1989 Cafaro A45D 1/04
132/232
4,877,942 A * 10/1989 Raab A45D 1/04
132/232
4,953,574 A * 9/1990 Tsuji A45D 1/04
132/232
D313,484 S * 1/1991 Wahl D28/35
5,120,933 A * 6/1992 Altamore A45D 1/04
132/229
5,354,967 A * 10/1994 Barzilai A45D 1/28
132/229
5,400,810 A * 3/1995 Taylor A45D 1/04
132/227
5,837,972 A * 11/1998 Padilla A45D 1/04
219/225
6,014,977 A * 1/2000 Friedman A45D 1/04
132/225
D455,860 S * 4/2002 Munk D28/35
D479,625 S * 9/2003 Polisenio D28/35
6,920,886 B2 * 7/2005 McCambridge A45D 1/06
132/232
D556,949 S * 12/2007 Leung D28/35
D559,446 S * 1/2008 Leung D28/35
D561,937 S * 2/2008 Leung D28/35
D570,042 S * 5/2008 Leung D28/35
D570,046 S * 5/2008 Leung D28/35
D578,707 S * 10/2008 Leung D28/35
D580,097 S * 11/2008 Leung D28/35
D596,792 S * 7/2009 Kwok D28/35
D618,394 S * 6/2010 Keong D28/35
D644,377 S * 8/2011 Garner D28/35
D698,487 S * 1/2014 Byun D28/35
D698,488 S * 1/2014 Byun D28/35
D726,961 S * 4/2015 Sayers D28/35
D726,963 S * 4/2015 Sayers D28/35
D748,331 S * 1/2016 Prats D28/35
2001/0013513 A1 * 8/2001 Chan A45D 1/04
219/225
2003/0071027 A1 * 4/2003 Lo A45D 1/04
219/225

2004/0124188 A1 * 7/2004 Altamore A45D 1/06
219/225
2005/0011533 A1 * 1/2005 Ruben A45D 1/04
132/230
2005/0098192 A1 * 5/2005 Cafaro A45D 1/06
132/232
2008/0092915 A1 * 4/2008 Chan A45D 1/02
132/232
2011/0000501 A1 * 1/2011 Kaizuka A45D 1/04
132/232
2011/0203606 A1 * 8/2011 Recchion A45D 1/04
132/269
2012/0111354 A1 * 5/2012 Cafaro A45D 1/04
132/211
2012/0145180 A1 * 6/2012 Rong A45D 1/04
132/227
2013/0019890 A1 * 1/2013 Liao A45D 1/04
132/228
2013/0074866 A1 * 3/2013 Liao A45D 1/02
132/231
2013/0306099 A1 * 11/2013 Lam A45D 1/04
132/211
2014/0007898 A1 * 1/2014 Deng A45D 1/04
132/269
2014/0076348 A1 * 3/2014 Deng A45D 1/04
132/211
2014/0076349 A1 * 3/2014 Deng A45D 1/04
132/211
2016/0058150 A1 * 3/2016 Yu A45D 1/04
132/211
2016/0166037 A1 * 6/2016 Teramoto A45D 2/001
132/269
2018/0070694 A1 * 3/2018 Feng A45D 1/04
2018/0075776 A1 * 3/2018 Heitmann G09B 19/24

OTHER PUBLICATIONS

Hair Curler, Shenzhen Lady Merry, published at Alibaba.com, date/author not listed © 1999-2018 Alibaba.com, online, site visited Apr. 4, 2018. Available from Internet, URL: https://lady-merry.en.alibaba.com/product/1899073700-210059489/different_types_of_hair_curlers_hair_tonging_machine. (Year: 2018).*

* cited by examiner

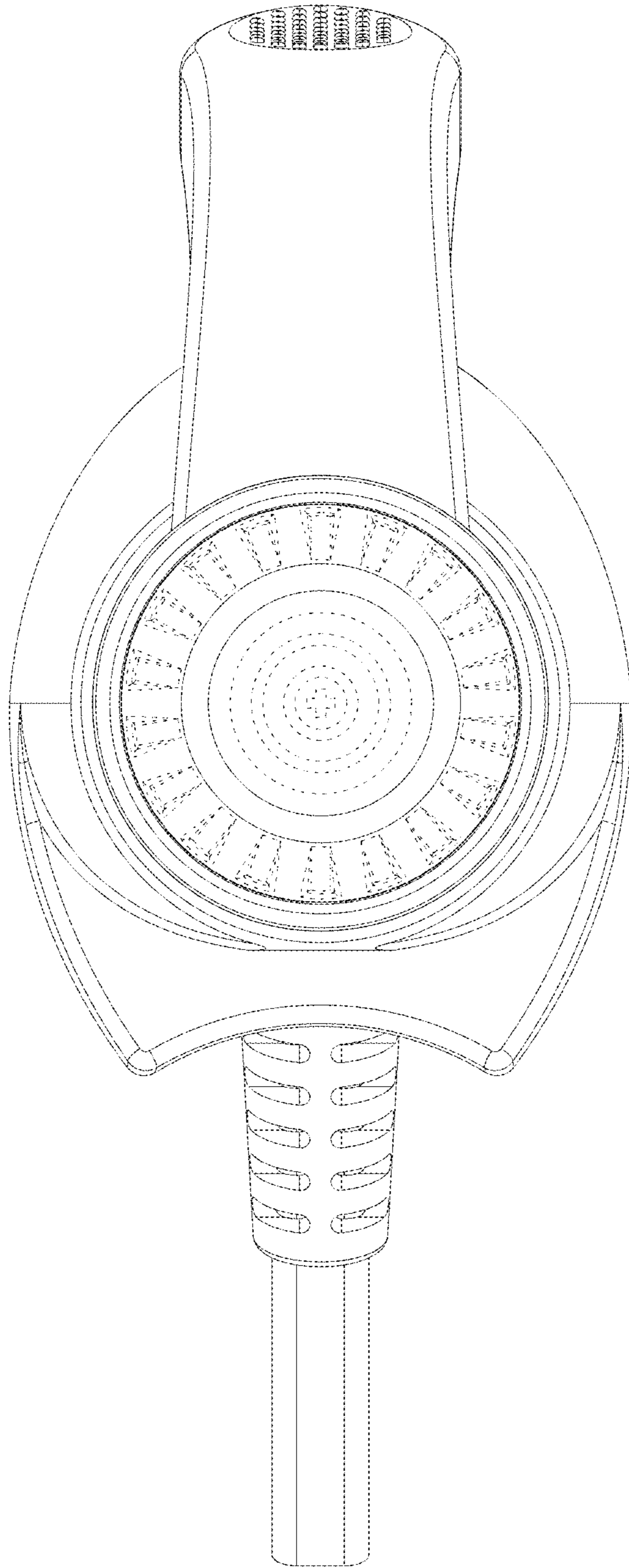


FIG. 1

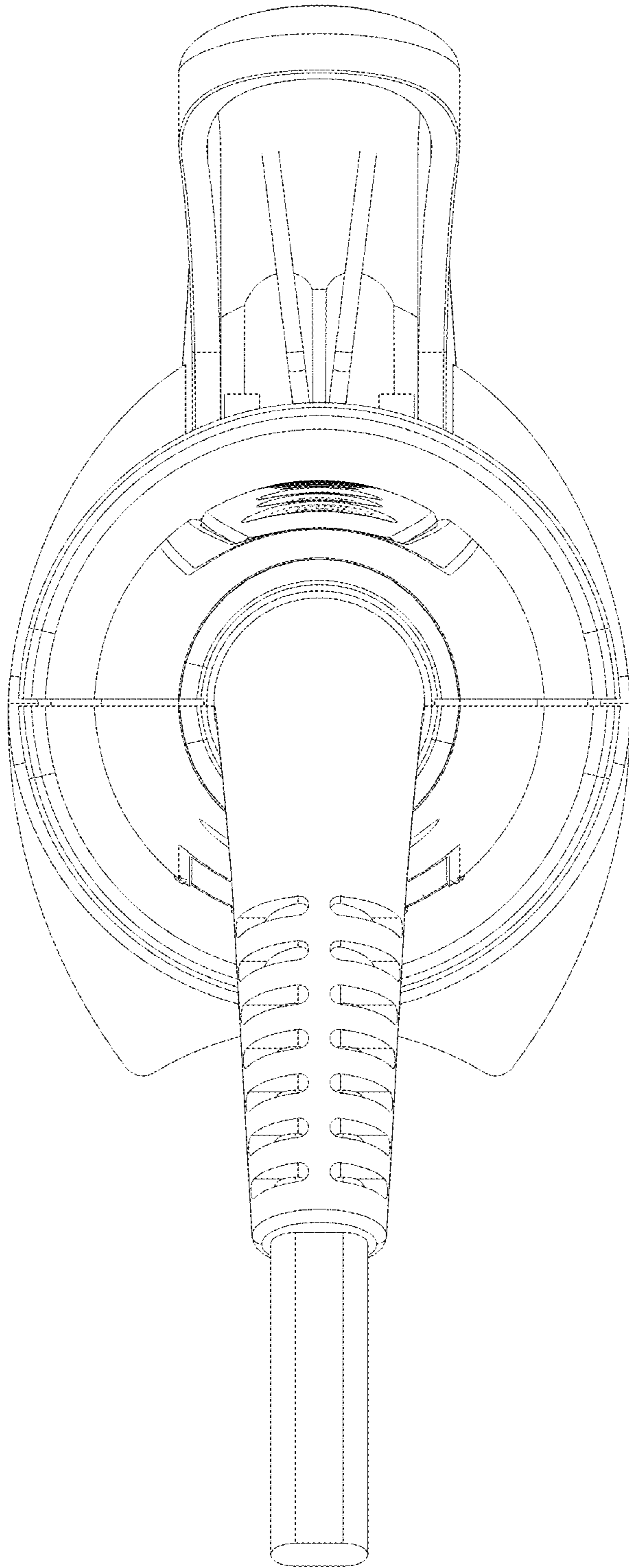


FIG. 2

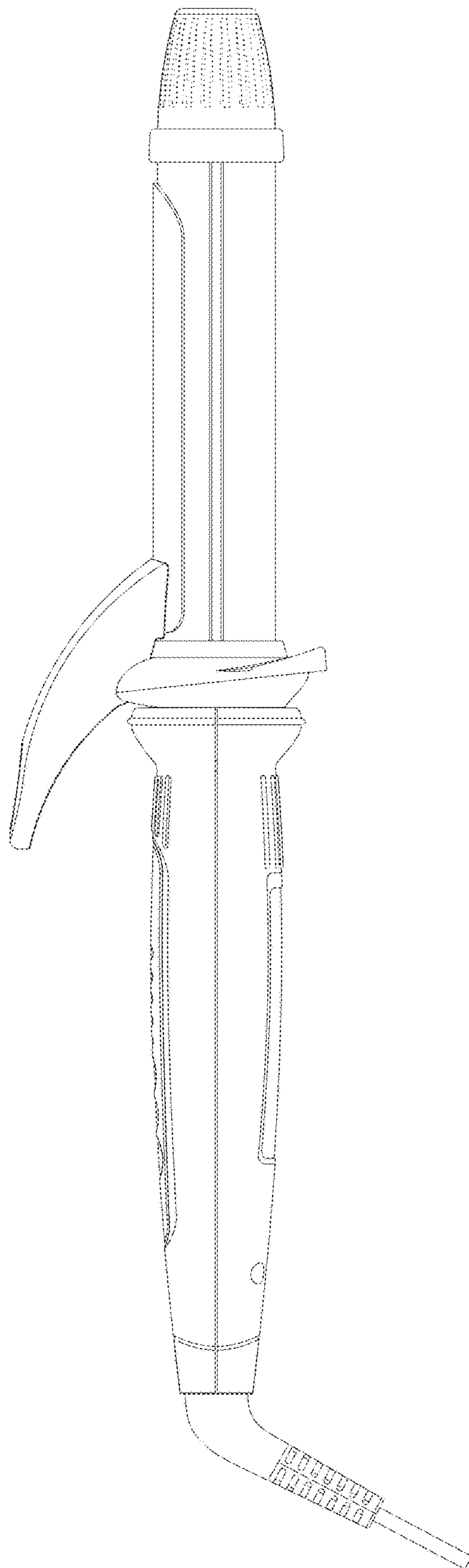


FIG.3

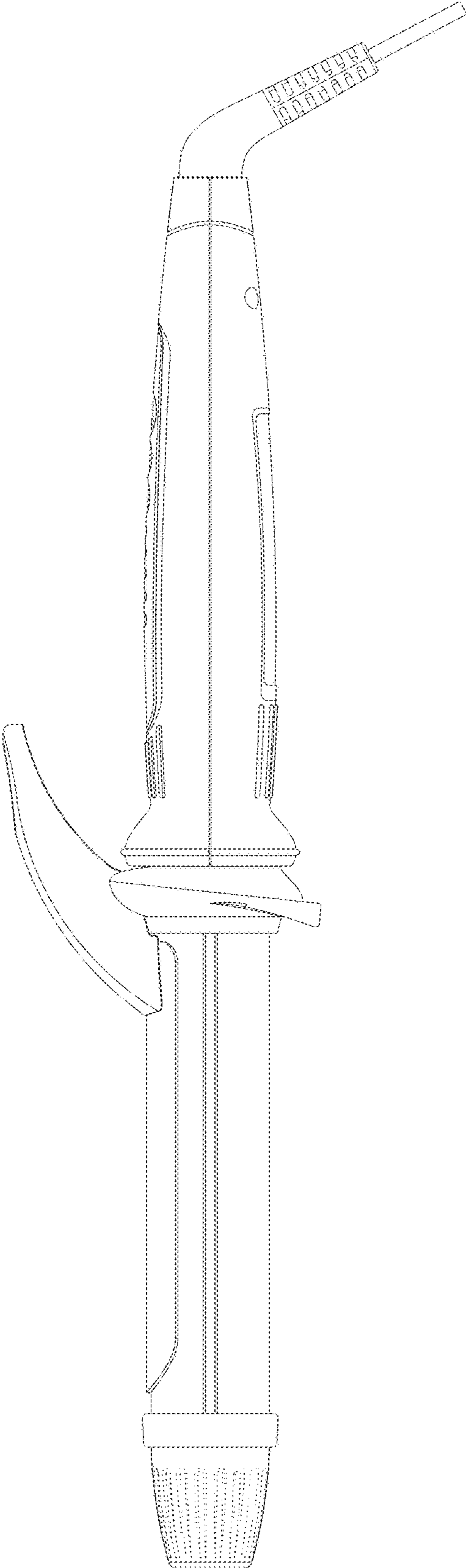


FIG.4

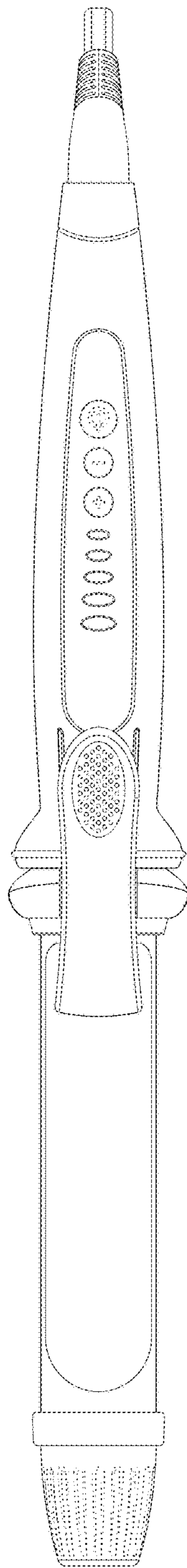


FIG. 5

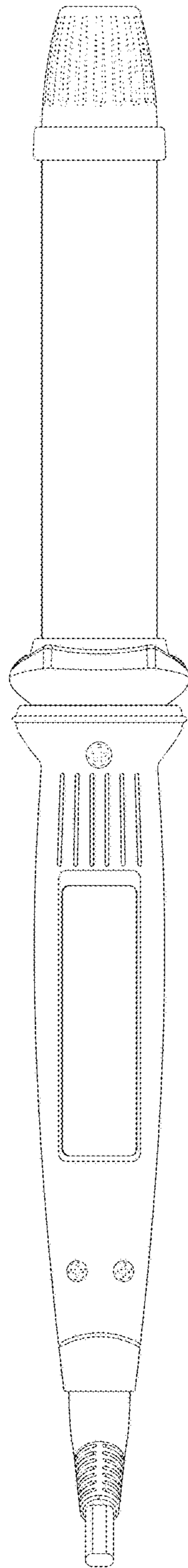


FIG. 6

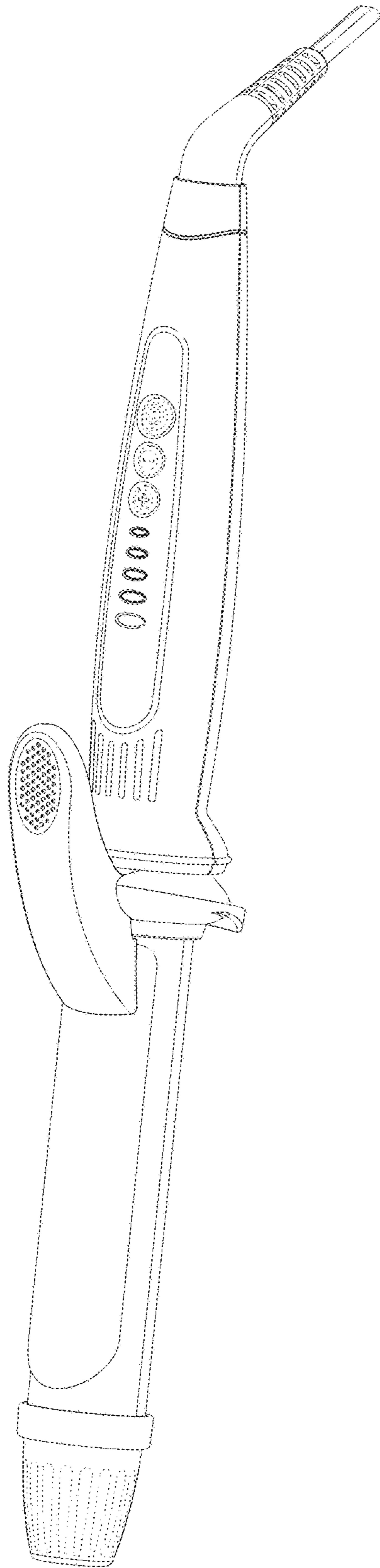


FIG. 7