



US00D821030S

(12) **United States Design Patent**
Paul et al.

(10) **Patent No.:** **US D821,030 S**
(45) **Date of Patent:** **** Jun. 19, 2018**

- (54) **COMB WITH INTEGRATED LIQUID DISPENSER**
- (71) Applicants: **Daphnee Paul**, Miramar, FL (US);
Bianca Renteria, Miramar, FL (US)
- (72) Inventors: **Daphnee Paul**, Miramar, FL (US);
Bianca Renteria, Miramar, FL (US)
- (**) Term: **15 Years**
- (21) Appl. No.: **29/567,905**
- (22) Filed: **Jun. 14, 2016**
- (51) **LOC (11) Cl.** **28-03**
- (52) **U.S. Cl.**
USPC **D28/25**
- (58) **Field of Classification Search**
USPC D4/104, 114, 125, 132, 133, 136;
D28/10, 13, 15, 18, 21-22, 27-33, 35,
D28/39-43, 25, 91.1, 7; D1/107, 111,
D1/199; D30/158-159, 162
CPC A46B 9/023; A46B 9/02; A46B 9/028;
A46B 1/00; A46B 3/00; A46B 5/00;
A46B 5/0054; A46B 5/021; A46B 7/00;
A46B 9/021; A46B 3/023; A46B 9/025;
A46B 9/026; A46B 9/04; A46B 15/003;
A46B 15/0059; A46B 2200/102; A46B
2200/104; B29L 2021/00; B29L
2021/005; A45D 1/10; A45D 1/18; A45D
2/001; A45D 2/002; A45D 2/2471; A45D
8/12; A45D 19/0008; A45D 2019/0041;
A45D 20/12; A45D 20/122; A45D
2020/128; A45D 20/48; A45D 20/52;
A45D 24/00; A45D 24/02; A45D 24/22
See application file for complete search history.

(56) **References Cited**

U.S. PATENT DOCUMENTS

- D18,926 S * 2/1889 Scott D28/30
- 696,412 A * 4/1902 Cowley A45D 2/002
132/150

- 1,145,492 A * 7/1915 Krieger A45D 20/48
132/112
- 1,166,361 A * 12/1915 Grove A45D 24/22
132/110
- 1,225,402 A * 5/1917 Bocchino A45D 20/48
132/118
- 1,339,632 A * 5/1920 Tankins A45D 20/525
132/124
- 1,425,757 A * 8/1922 Echols A45D 20/525
132/150
- 1,431,943 A * 10/1922 Gee A45D 20/52
132/114
- 1,439,248 A * 12/1922 Lewis A45D 24/04
132/136
- 1,523,461 A * 1/1925 Swan A45D 20/48
132/118
- 1,823,850 A * 9/1931 Marshall A45D 24/22
132/110

(Continued)

Primary Examiner — Shannon W Morgan

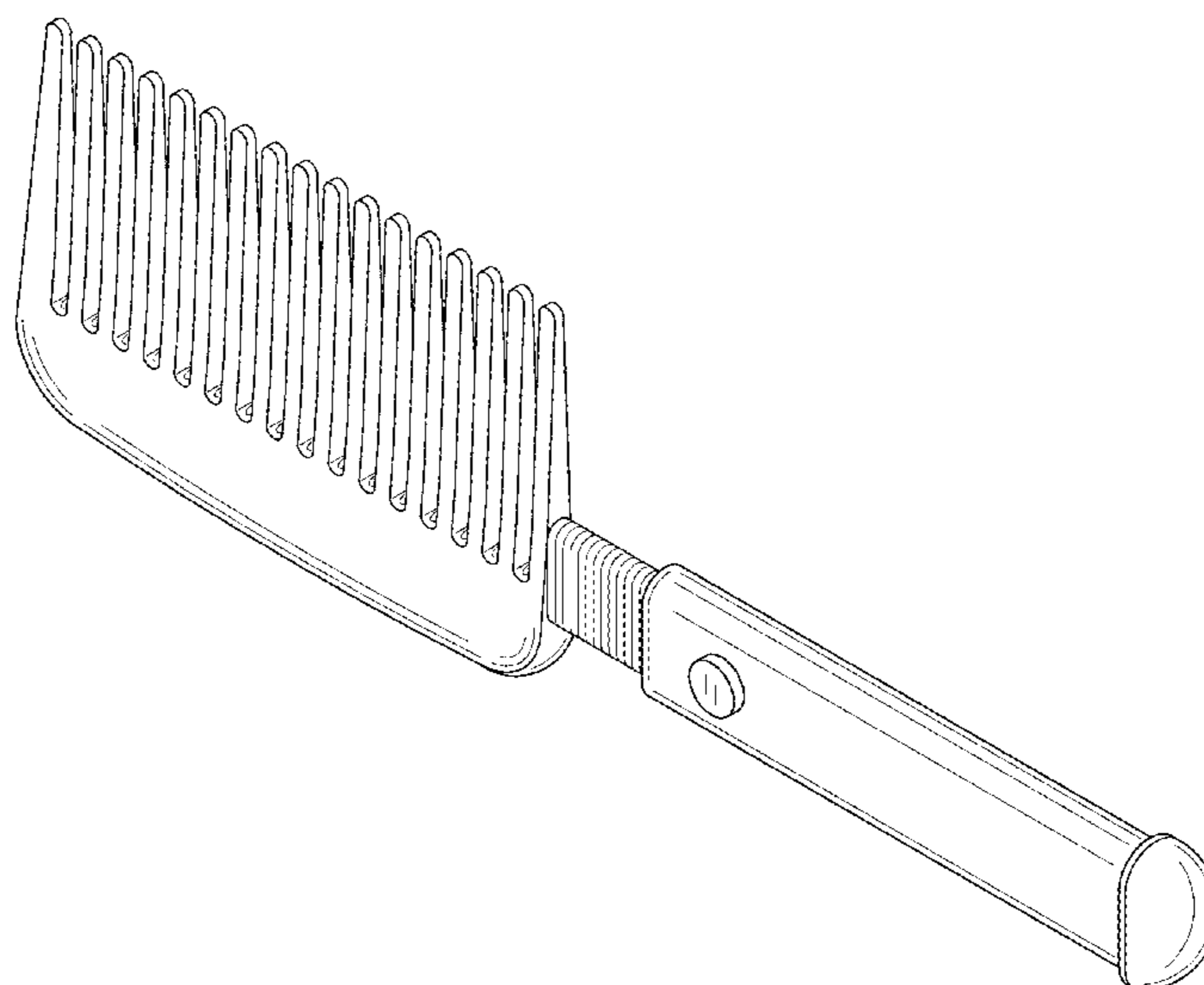
(57) **CLAIM**

We claim the ornamental design for a comb with integrated liquid dispenser, as shown and described.

DESCRIPTION

FIG. 1 is a front view of the comb with integrated liquid dispenser.
 FIG. 2 is a back view of the claimed design.
 FIG. 3 is a left side view of the claimed design.
 FIG. 4 is a right side view of the claimed design.
 FIG. 5 is a top view of the claimed design.
 FIG. 6 is a bottom view of the claimed design; and,
 FIG. 7 is a perspective view of the claimed design.
 The broken lines shown in FIG. 2 depict portions of the comb with integrated liquid dispenser that form no part of the claimed design.

1 Claim, 3 Drawing Sheets



(56)

References Cited

U.S. PATENT DOCUMENTS

1,870,641	A *	8/1932	Noyes	A45D 24/24	5,482,058	A *	1/1996	Garconnet	A45D 24/26
				132/113					132/115
2,201,753	A *	5/1940	Wolkow	A45D 2/002	D399,602	S *	10/1998	Ratnam	D28/25
				132/124	D416,645	S *	11/1999	Spudeno	D28/7
2,235,637	A *	3/1941	Hickey	A45D 24/24	6,112,751	A *	9/2000	Bennett	A45D 19/02
				132/116					132/116
2,383,967	A *	9/1945	Hernon	A45D 24/16	D445,969	S *	7/2001	Lorenzo	D28/25
				132/102	D451,245	S *	11/2001	Harrell	D28/25
2,465,694	A *	3/1949	Norwood	B26B 19/20	6,649,121	B1 *	11/2003	Hamamoto	B29C 37/0085
				30/132					264/255
2,505,005	A *	4/1950	Reiter	A45D 24/02	6,915,807	B2	7/2005	Choi	
				132/125	D601,751	S *	10/2009	Day	D28/21
2,590,447	A *	3/1952	Nord, Jr.	A45D 20/48	D650,127	S *	12/2011	Jude	D28/30
				607/79	2,694,401	A1	12/2012	Kimura	
2,617,432	A *	11/1952	Hertzberg	A45D 24/16	8,733,371	B1 *	5/2014	Rassman	A01K 13/002
				132/120					119/601
2,737,190	A *	3/1956	Magnusson	A45D 24/24	D713,992	S *	9/2014	Lolani	A45D 24/22
				132/114					D28/30
2,775,251	A *	12/1956	Newton	A45D 24/28	D714,491	S *	9/2014	Du	A45D 24/00
				132/116					D28/25
2,794,443	A *	6/1957	Moore	A45D 24/24	2001/0040173	A1 *	11/2001	Yamamoto	A45D 19/02
				132/113					222/106
2,833,294	A *	5/1958	Gamble	A45D 2/002	2004/0011809	A1 *	1/2004	Yoshimoto	B65D 83/0055
				132/136					222/95
2,849,009	A *	8/1958	Heinrich	A45D 24/26	2005/0155981	A1 *	7/2005	Abe	A45D 24/22
				132/116					222/105
2,854,987	A *	10/1958	Anthony	A45D 24/04	2006/0207036	A1 *	9/2006	Kennedy	A45D 19/02
				132/150					8/405
2,915,071	A *	12/1959	Watkins	A45D 24/02	2006/0283473	A1 *	12/2006	Chudzik	A45D 24/02
				132/144					132/125
3,060,941	A *	10/1962	Harloff	A45D 24/02	2008/0210251	A1 *	9/2008	Dallianis	A45D 24/26
				132/219					132/116
3,137,305	A	6/1964	Jones		2008/0230246	A1 *	9/2008	Dollar-Wright	A45D 24/007
D208,682	S *	9/1967	Tucker	D28/30					173/29
3,353,721	A *	11/1967	Love	A45D 24/22	2009/0114237	A1 *	5/2009	Massoni	A45D 24/22
				132/114					132/208
3,446,216	A	5/1969	Sala		2012/0017928	A1 *	1/2012	Raskin	A45D 7/00
D229,640	S *	12/1973	Vander Meer	D28/25					132/200
D244,712	S *	6/1977	Houston	D28/21	2013/0133587	A1 *	5/2013	Pelfrey	A01K 13/00
D253,850	S *	1/1980	Haselrig	D28/25					119/625
D255,944	S *	7/1980	Haselrig	D28/25	2013/0255714	A1 *	10/2013	Rollo	A45D 24/08
D265,599	S *	7/1982	Fitzpatrick	D28/25					132/216
D283,651	S *	4/1986	Smith	D28/25	2014/0130821	A1 *	5/2014	Tsai	A45D 24/22
D289,567	S *	4/1987	O'Connor	D28/25					132/112
4,732,170	A *	3/1988	Thomas	A45D 24/10	2015/0157108	A1 *	6/2015	Roberts	A45D 24/22
				132/151					132/116
5,078,928	A *	1/1992	Balster	A45D 24/00	2015/0208782	A1 *	7/2015	Williams	A45D 24/22
				118/501					132/115
D331,840	S *	12/1992	Garner	401/289	2015/0265025	A1 *	9/2015	Alsalameh	A45D 24/22
D353,019	S	11/1994	Kimmell						132/113
					2016/0286929	A1 *	10/2016	Delabastide	A45D 24/26
					2018/0014621	A1 *	1/2018	Trice	A45D 24/28

* cited by examiner

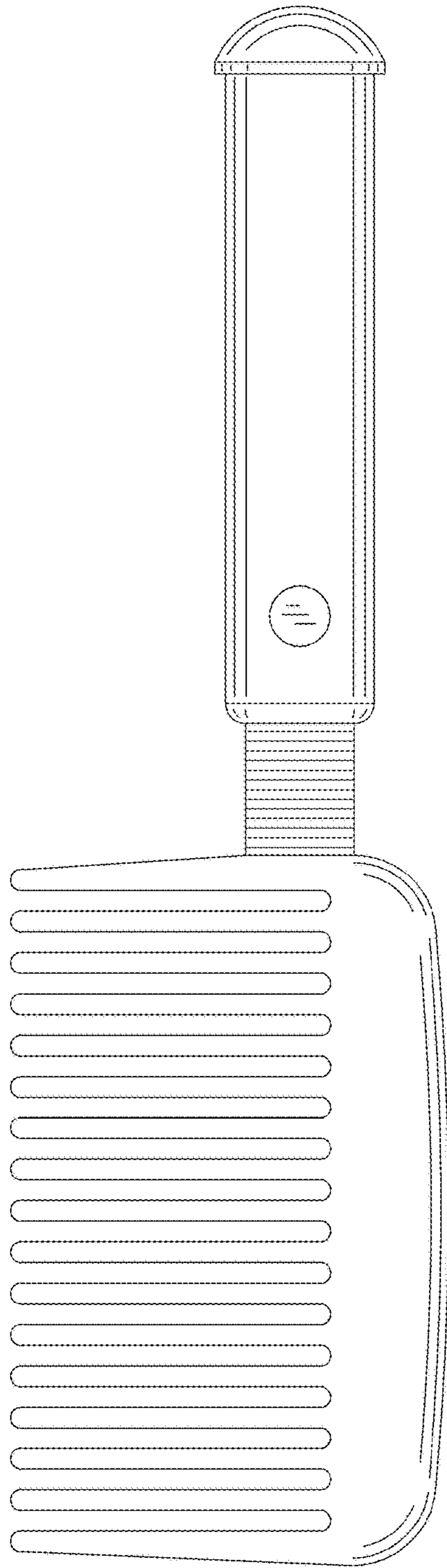


FIG. 1

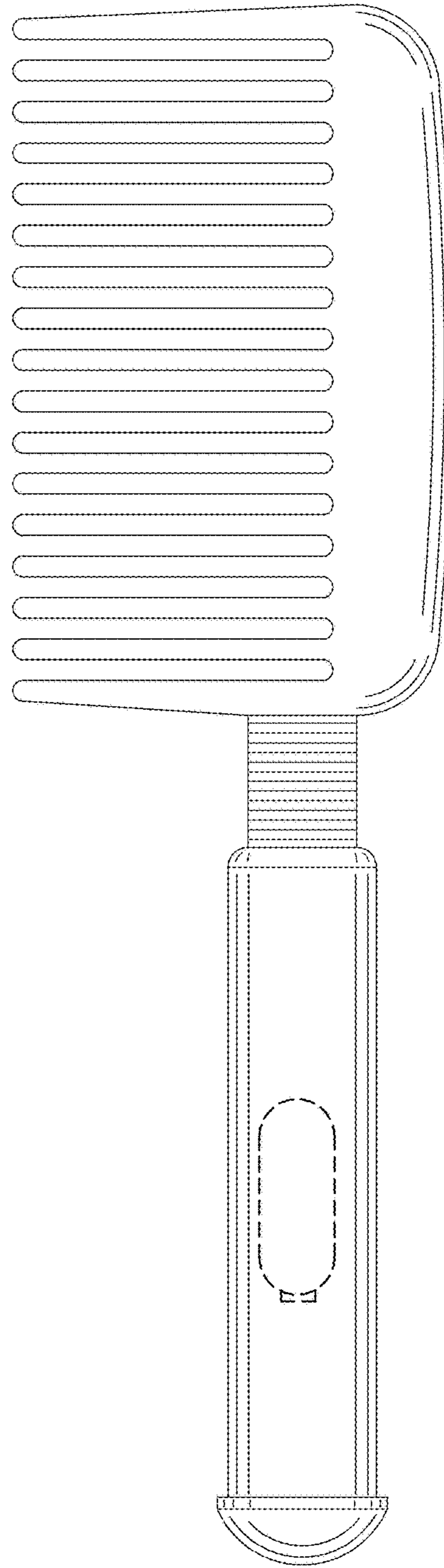


FIG. 2

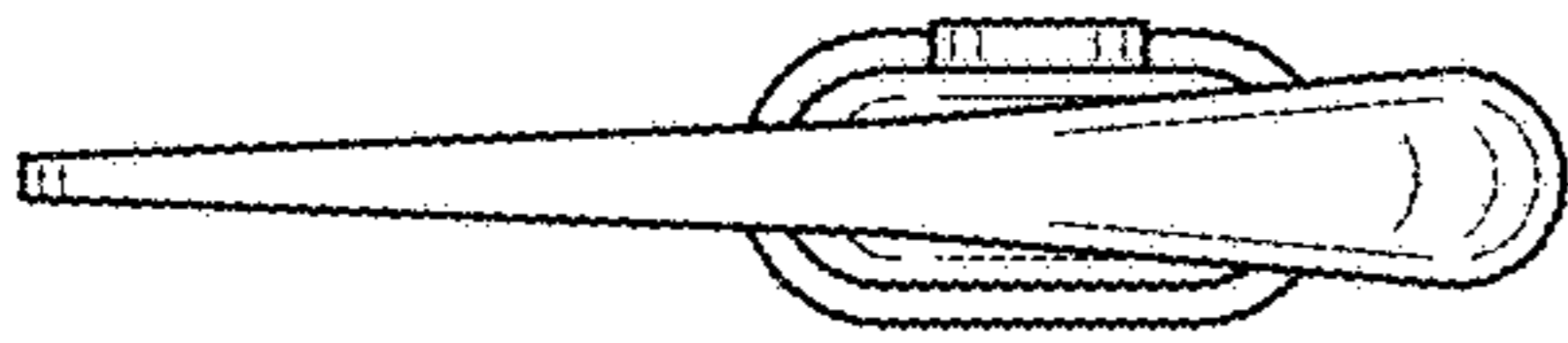


FIG. 3

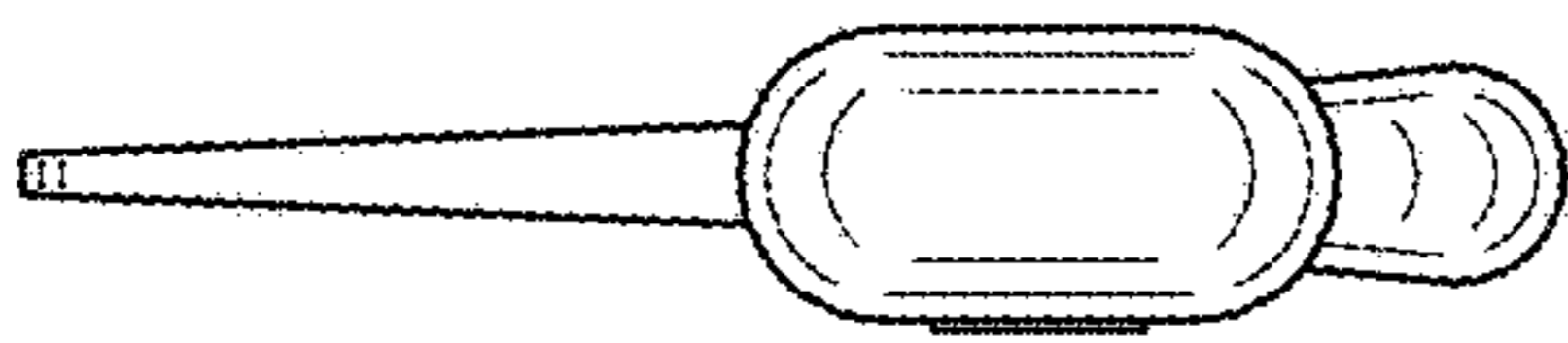


FIG. 4

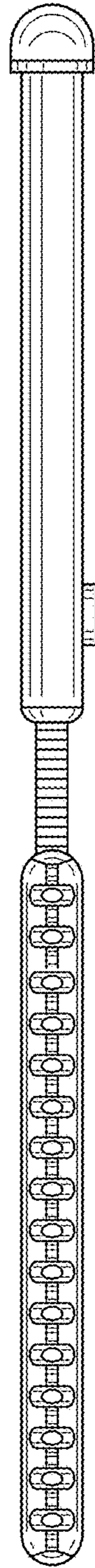


FIG. 5

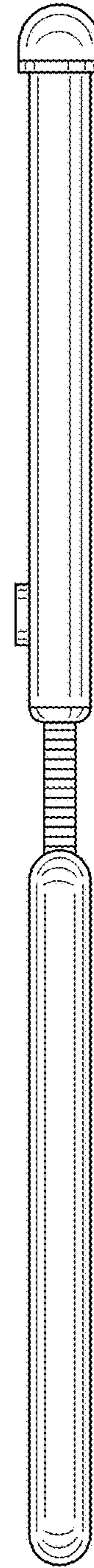


FIG. 6

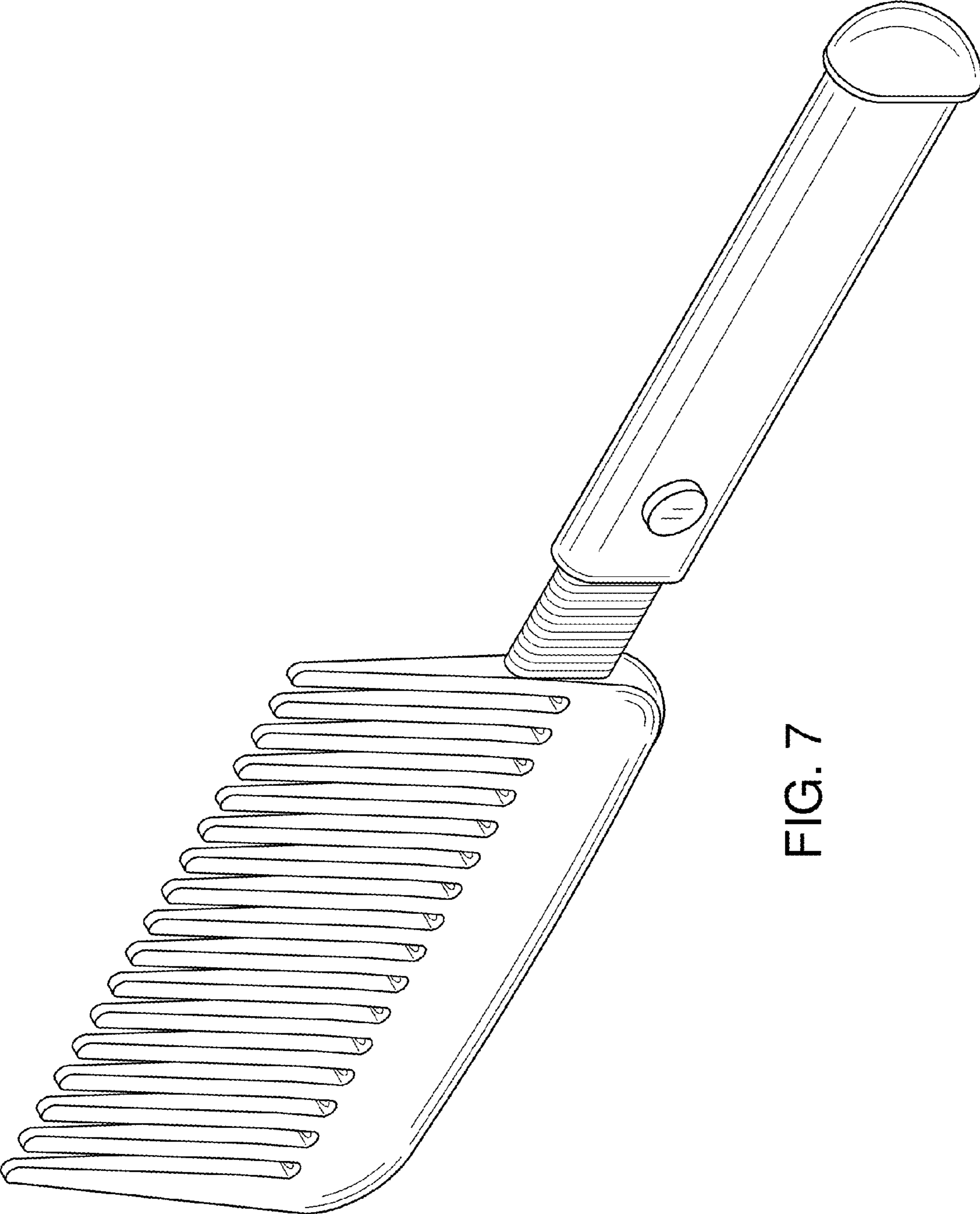


FIG. 7