



US00D821027S

(12) **United States Design Patent**
Lal et al.

(10) **Patent No.:** **US D821,027 S**
(45) **Date of Patent:** **** Jun. 19, 2018**

(54) **LIGHTING HARP**

(71) Applicant: **Purillume, Inc.**, Cary, NC (US)
(72) Inventors: **Neeraj Lal**, Cary, NC (US); **Randy Faucette**, Cary, NC (US); **Quinn Marceil**, Raleigh, NC (US); **Rodney Bame**, Cary, NC (US)

(73) Assignee: **Purillume, Inc.**, Cary, NC (US)

(**) Term: **15 Years**

(21) Appl. No.: **29/565,141**

(22) Filed: **May 18, 2016**

(51) **LOC (11) Cl.** **26-05**

(52) **U.S. Cl.**
USPC **D26/141**

(58) **Field of Classification Search**
USPC D26/76, 78, 79, 80, 81, 82, 83, 85, 88,
D26/90, 93, 110, 118, 119, 120, 121, 122,
D26/138, 140-142
CPC F21S 4/00; F21S 4/003; F21S 4/006; F21S
4/007; F21S 4/008; F21S 6/004; F21S
6/005; F21K 9/54; F21V 15/01; F21V
15/013

See application file for complete search history.

(56) **References Cited**

U.S. PATENT DOCUMENTS

D126,122 S * 3/1941 Chilo D26/141
4,211,959 A * 7/1980 Deavenport F21V 23/04
200/600

D366,717 S * 1/1996 Visage D26/93
D378,145 S * 2/1997 Cohon D26/141
D470,263 S * 2/2003 Krieger D26/106
D596,786 S * 7/2009 Schmidt D26/141
D692,611 S * 10/2013 Silver D26/138
D752,804 S * 3/2016 Williamson D26/141
D752,805 S * 3/2016 Williamson D26/141

* cited by examiner

Primary Examiner — George D. Kirschbaum

Assistant Examiner — Natasha Vujcic

(74) *Attorney, Agent, or Firm* — Steptoe & Johnson LLP

(57) **CLAIM**

We claim, the ornamental design for a lighting harp, as shown and described.

DESCRIPTION

FIG. 1 is a perspective view of a lighting harp;
FIG. 2 is a front elevation view thereof;
FIG. 3 is a rear elevation view thereof;
FIG. 4 is a right side elevation view thereof;
FIG. 5 is a left side elevation view thereof;
FIG. 6 is a top view thereof; and,
FIG. 7 is a bottom view thereof.

1 Claim, 5 Drawing Sheets

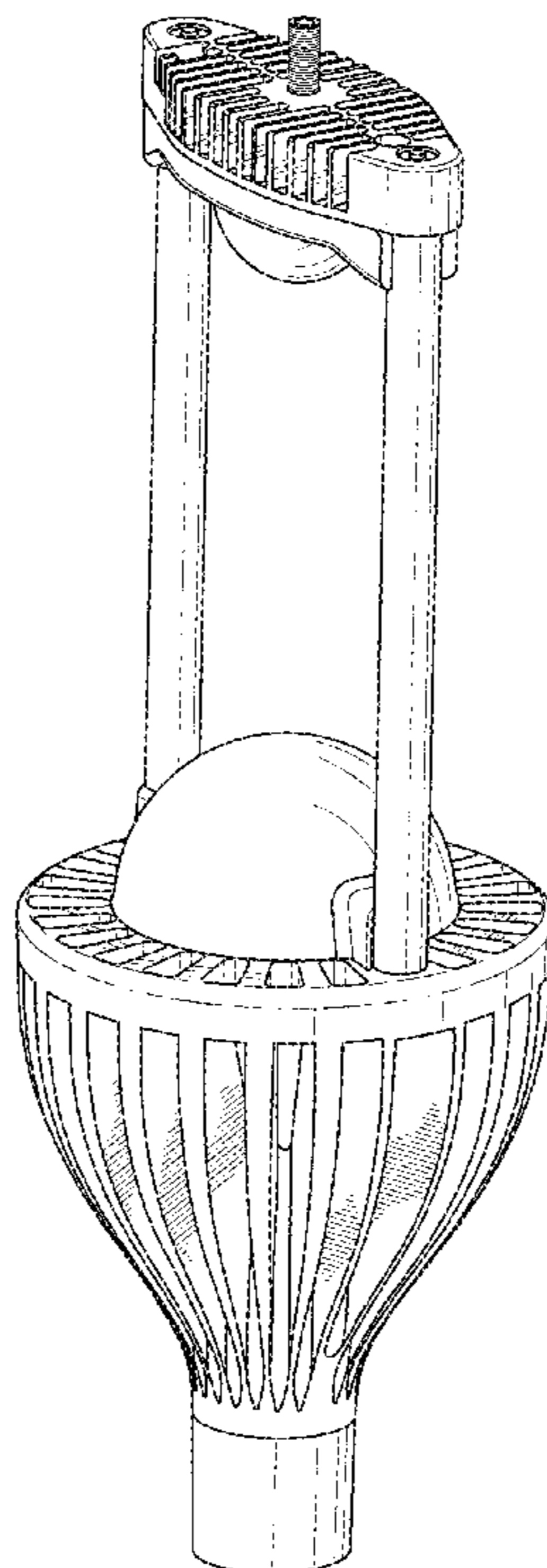


FIG. 1

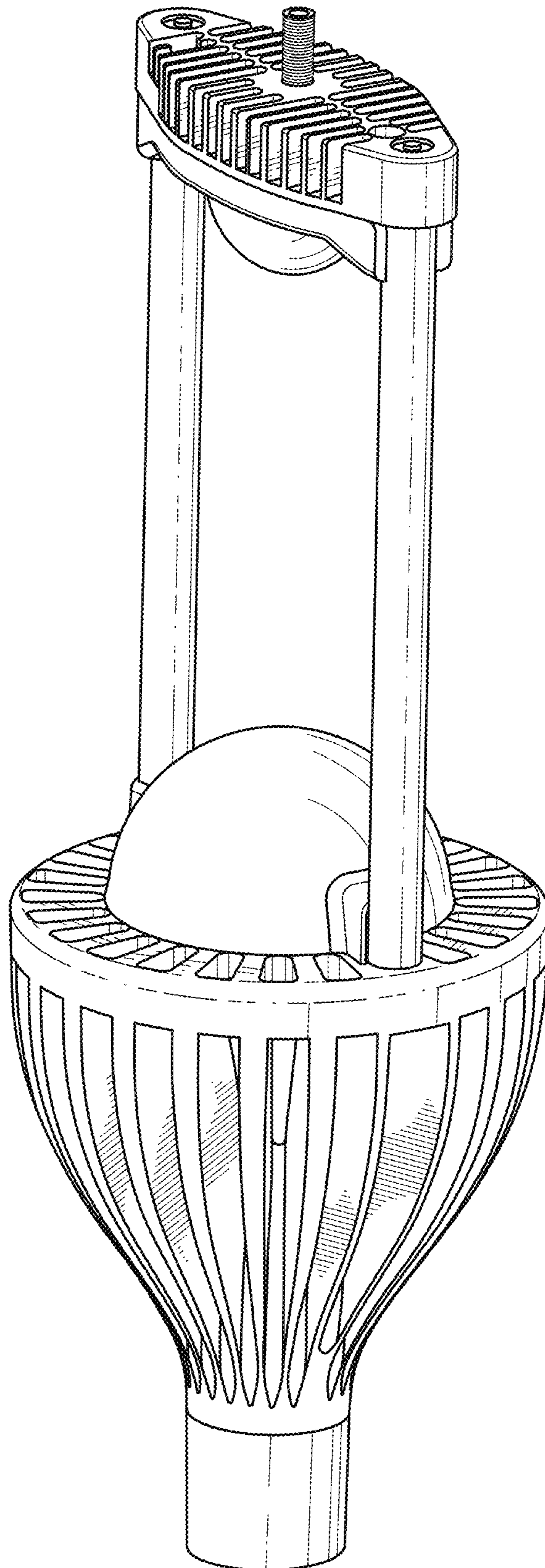


FIG. 2

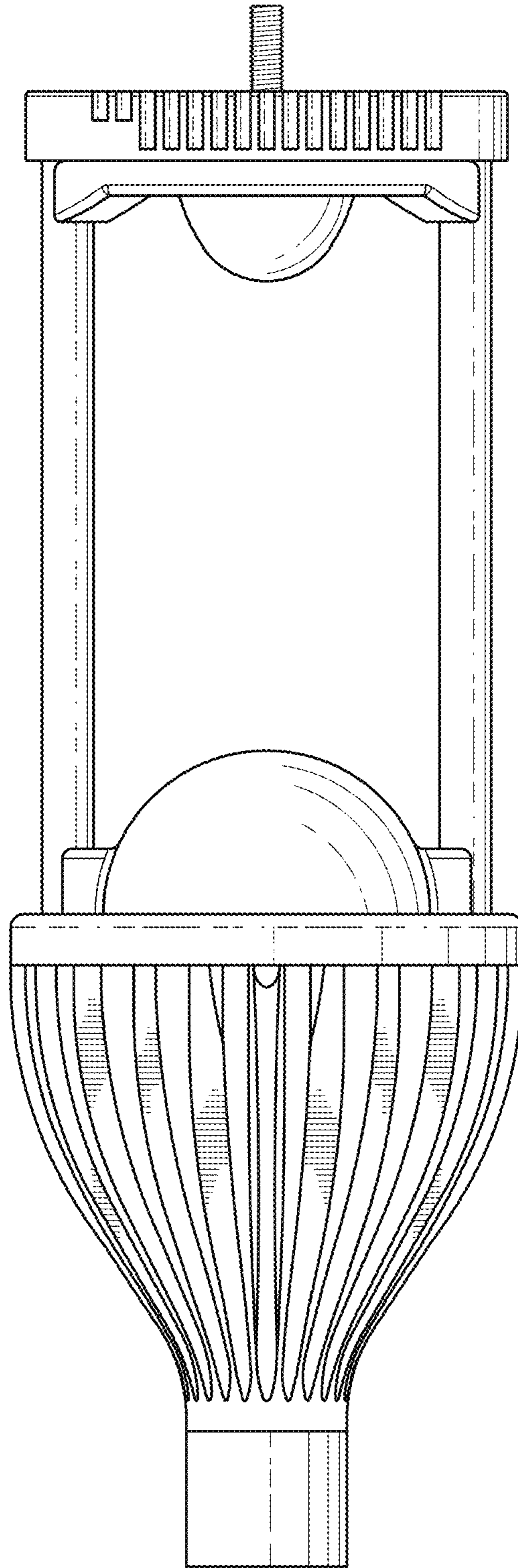
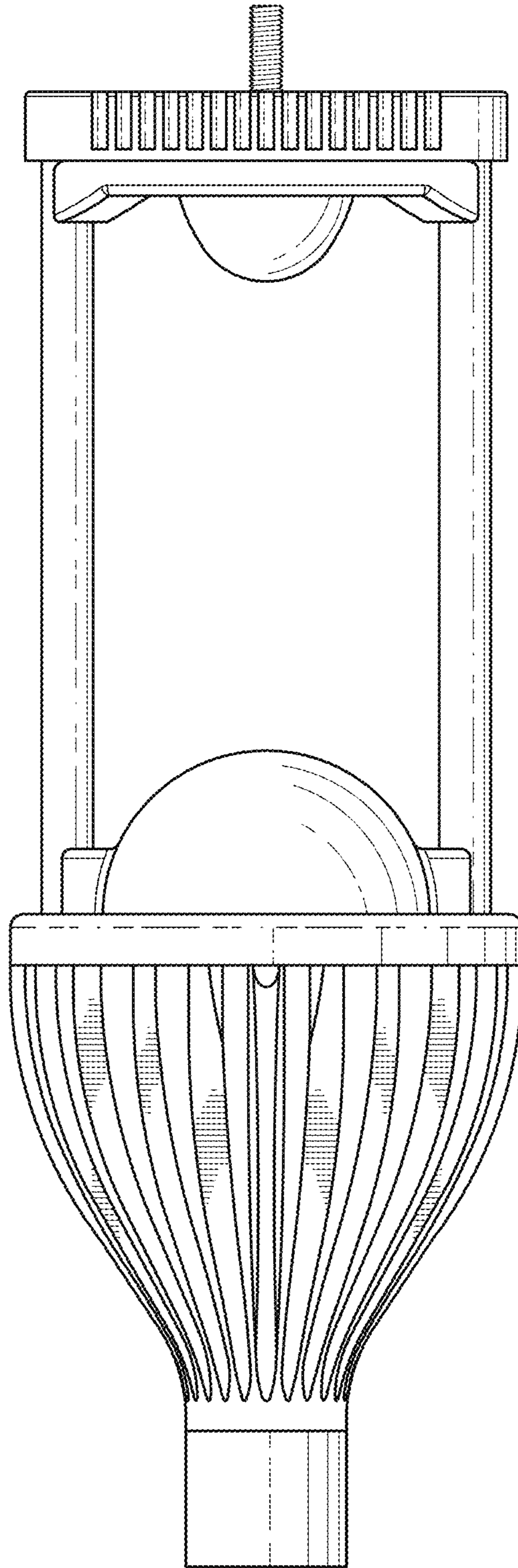


FIG. 3



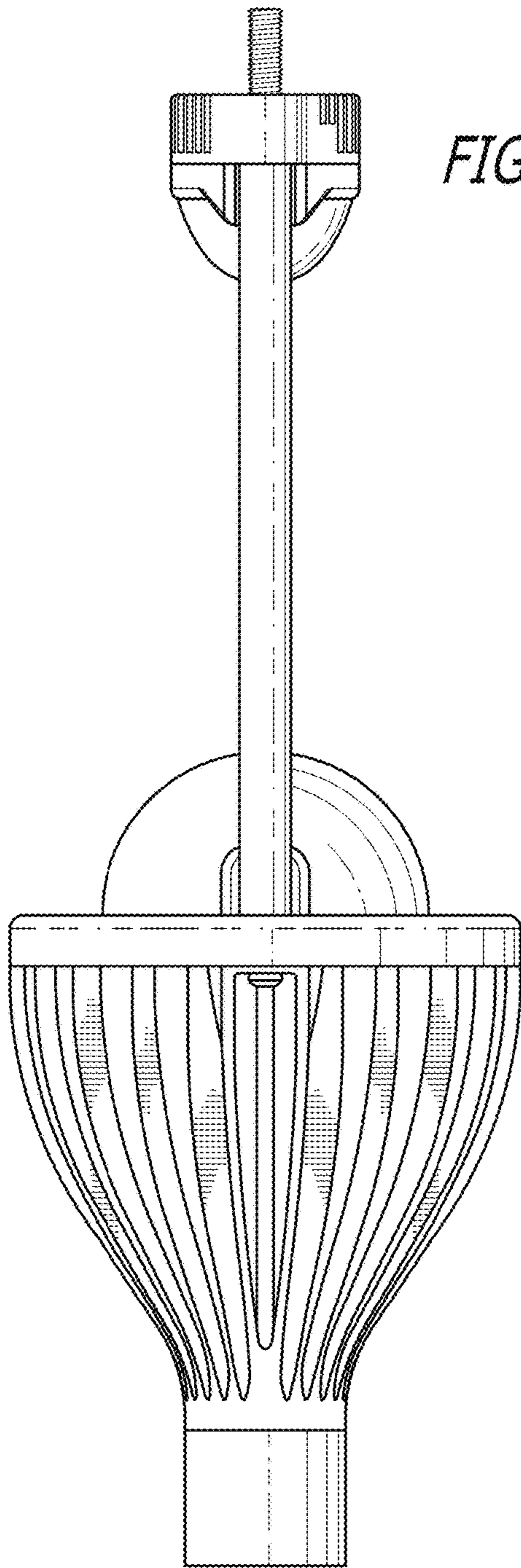


FIG. 4

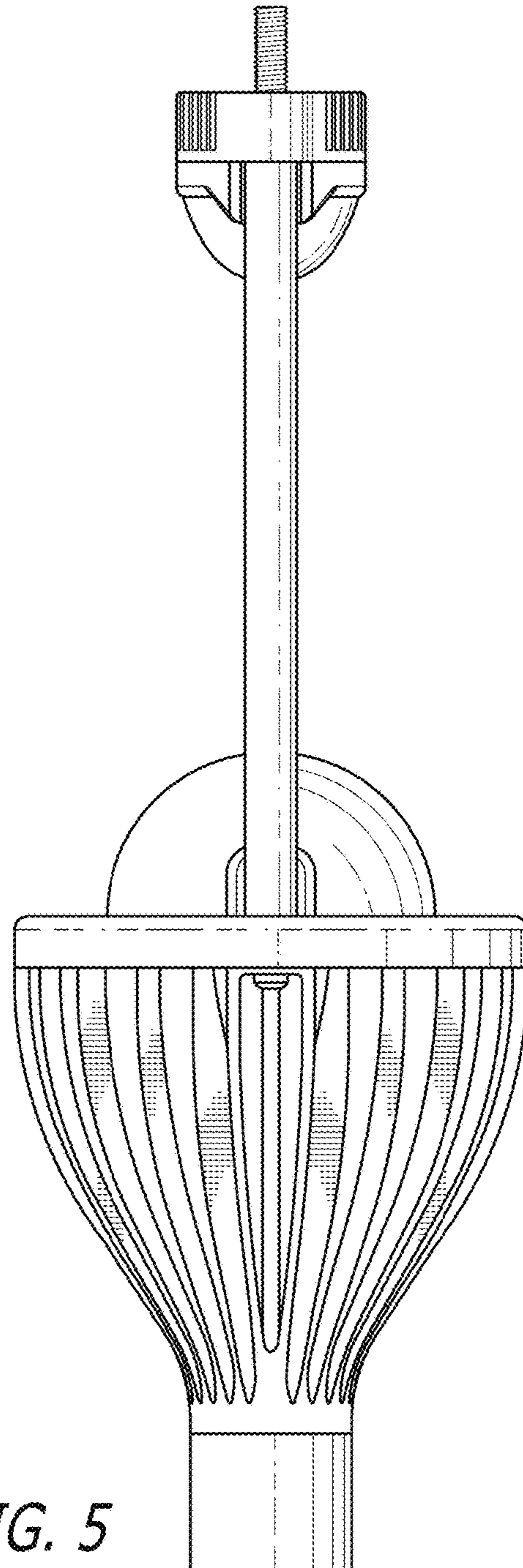


FIG. 5

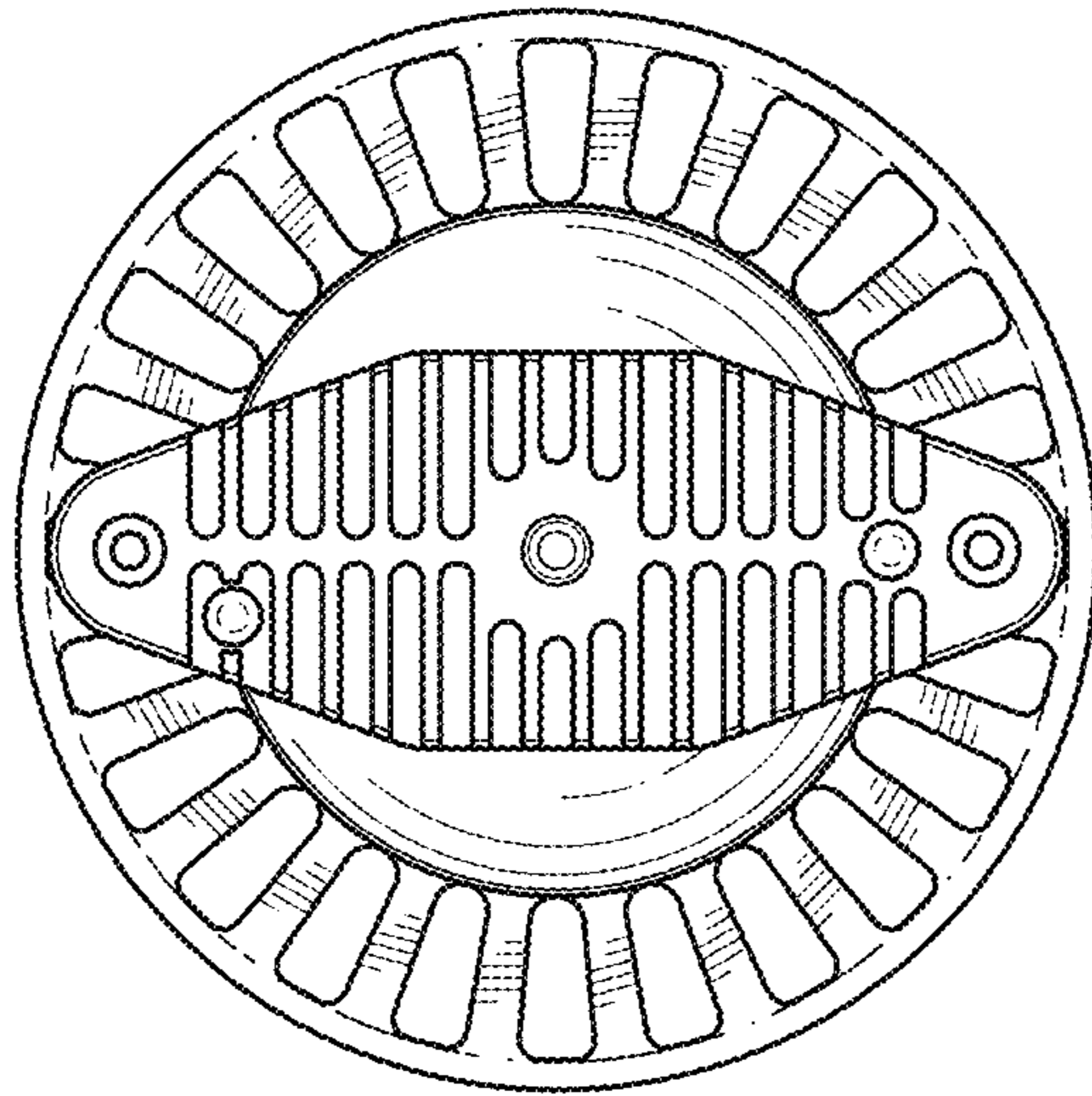


FIG. 6

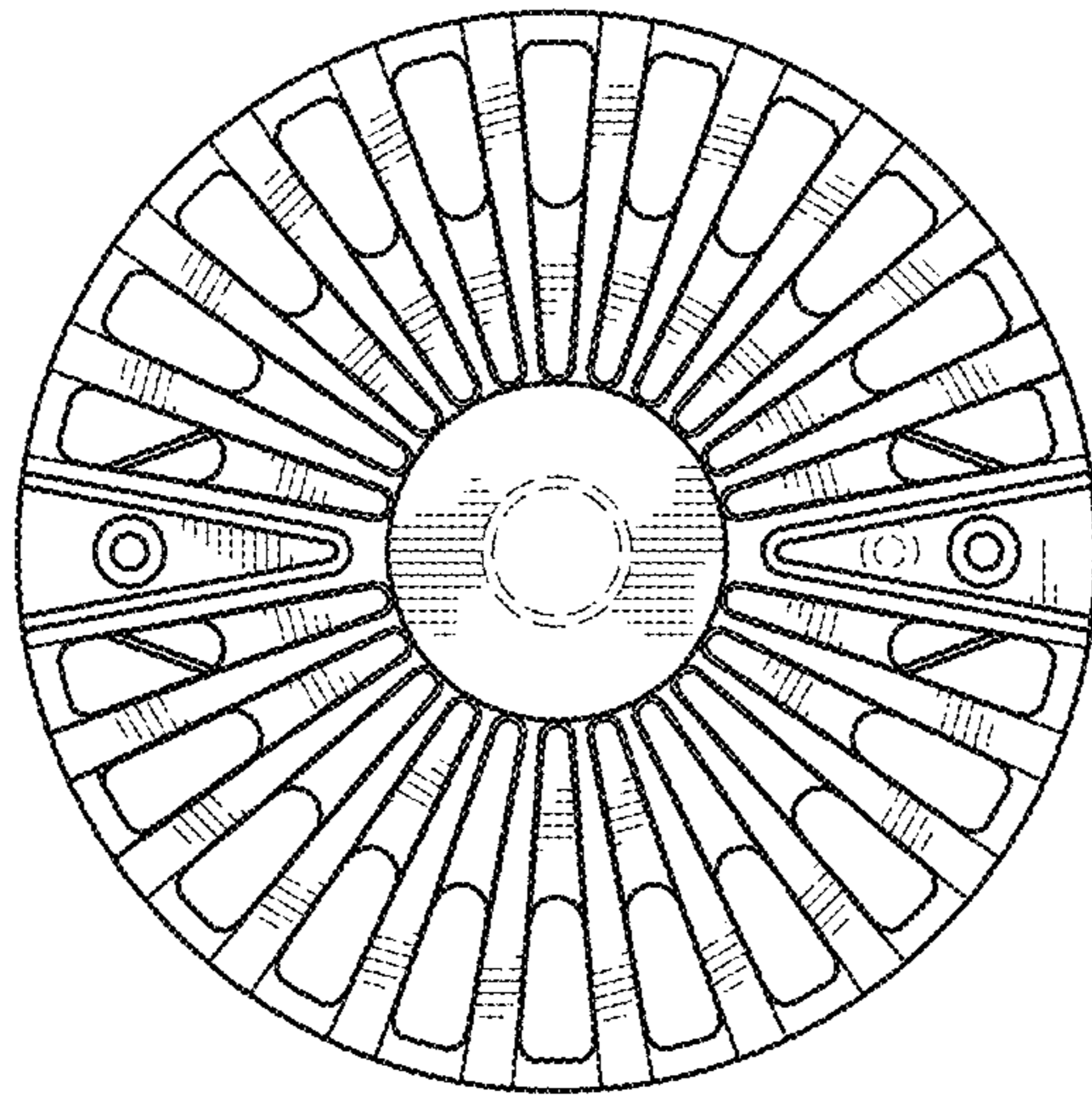


FIG. 7