



US00D821026S

(12) **United States Design Patent**
Conway et al.

(10) **Patent No.:** **US D821,026 S**
(45) **Date of Patent:** **** Jun. 19, 2018**

(54) **HEADLAMP BEZEL AND TURN SIGNAL REFLECTOR**

(71) Applicants: **Scott M. Conway**, Flower Mound, TX (US); **Steven H. Hovind**, Bellevue, WA (US); **Wallace A. Peltola**, Sammamish, WA (US); **Jonathan S. Duncan**, Seattle, WA (US); **Aleš Brostik**, Lutín (CZ); **Roman Kopecký**, Lostice (CZ)

(72) Inventors: **Scott M. Conway**, Flower Mound, TX (US); **Steven H. Hovind**, Bellevue, WA (US); **Wallace A. Peltola**, Sammamish, WA (US); **Jonathan S. Duncan**, Seattle, WA (US); **Aleš Brostik**, Lutín (CZ); **Roman Kopecký**, Lostice (CZ)

(73) Assignee: **PACCAR Inc**, Bellevue, WA (US)

(**) Term: **15 Years**

(21) Appl. No.: **29/598,932**

(22) Filed: **Mar. 29, 2017**

(51) **LOC (11) Cl.** **26-99**

(52) **U.S. Cl.**
USPC **D26/139**

(58) **Field of Classification Search**
USPC D26/28–36; 362/80–83, 267–269,
362/459–468, 475–478, 485–487
CPC B60Q 9/13; B60Q 9/135; B60Q 9/1375;
F21S 48/00; F21S 48/10; F21S 48/115;
F21S 48/225; F21S 48/1233; F21S
48/1266; F21S 48/1388; F21S 48/2268;
F21V 21/04

See application file for complete search history.

(56) **References Cited**

U.S. PATENT DOCUMENTS

D288,008 S * 1/1987 McMahon D26/121
D414,571 S 9/1999 Schneider et al.
D440,694 S * 4/2001 Jeffries D26/139
D485,936 S 1/2004 Tsai

(Continued)

OTHER PUBLICATIONS

“AG130 Front Air Suspension,” Kenworth Truck Company, Kirkland, Washington, 2008, 2-page brochure.

(Continued)

Primary Examiner — Marcus Jackson

(74) *Attorney, Agent, or Firm* — Christensen O’Connor Johnson Kindness PLLC

(57) **CLAIM**

The ornamental design for a headlamp bezel and turn signal reflector, as shown and described.

DESCRIPTION

FIG. 1 is a top perspective view of a headlamp bezel and turn signal reflector according to our new design;

FIG. 2 is a bottom perspective view of the headlamp bezel and turn signal reflector of FIG. 1;

FIG. 3 is a front elevational view of the headlamp bezel and turn signal reflector of FIG. 1;

FIG. 4 is a top view of the headlamp bezel and turn signal reflector of FIG. 1;

FIG. 5 is a left side elevational view of the headlamp bezel and turn signal reflector of FIG. 1; and,

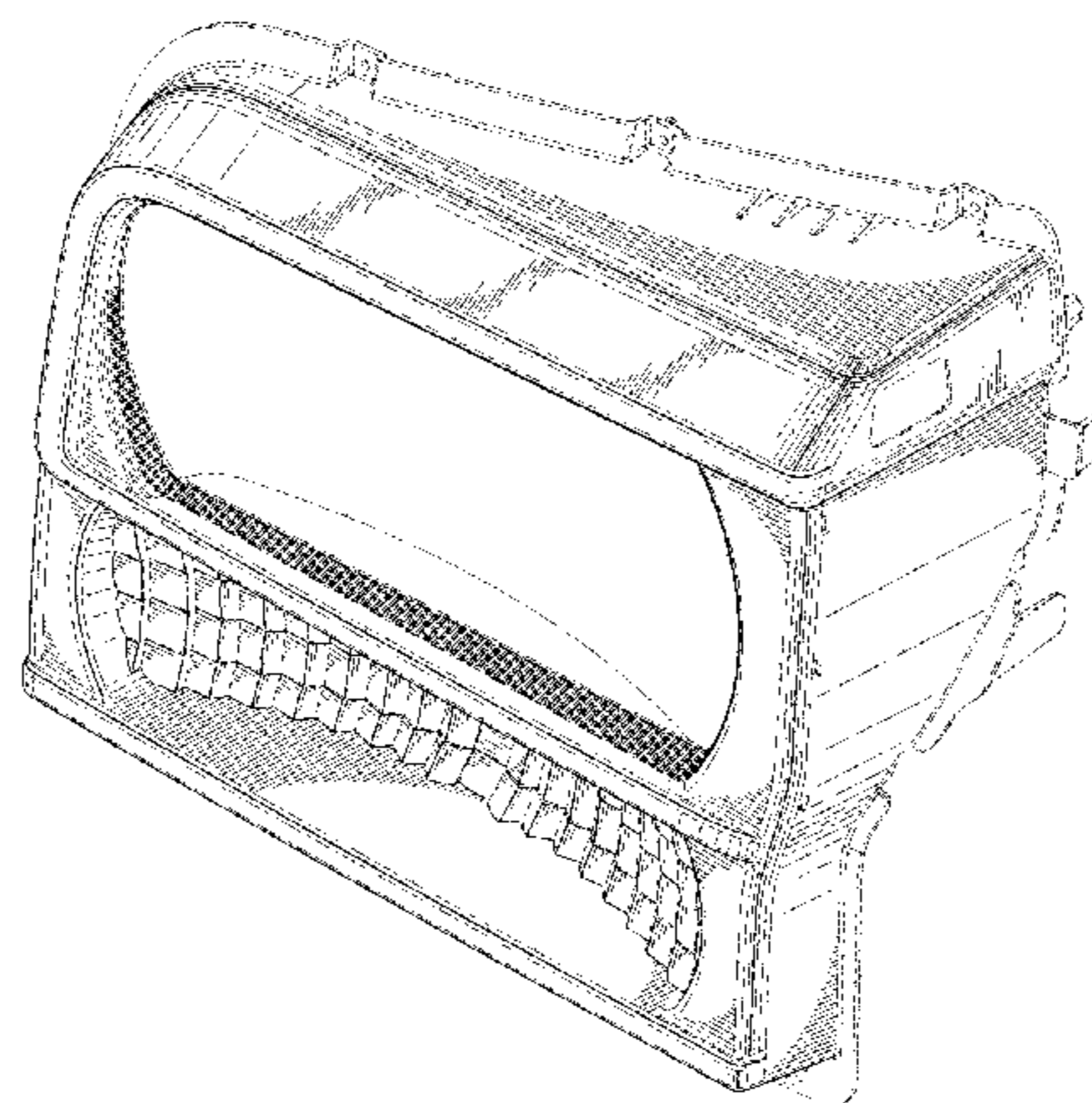
FIG. 6 is a right side elevational view of the headlamp bezel and turn signal reflector of FIG. 1.

The rear of the headlamp bezel and turn signal reflector is unornamented.

FIGS. 1-6 illustrate a first embodiment of our novel design for use on one side of a vehicle. Our novel design also includes a second embodiment suitable for use on the opposite side of a vehicle, which is mirror symmetrical to FIGS. 1-6 and therefore not separately illustrated.

The broken lines shown in the drawings illustrate portions of the headlamp bezel and turn signal reflector that form no part of the claimed design.

1 Claim, 6 Drawing Sheets



(56)

References Cited

U.S. PATENT DOCUMENTS

| | | | |
|--------------|---------|----------------|---------|
| D487,819 S | 3/2004 | Tsai | |
| D494,293 S | 8/2004 | Pfeiffer | |
| D494,706 S | 8/2004 | Tsai | |
| D499,202 S | 11/2004 | Tsai | |
| D506,842 S | 6/2005 | Nagura et al. | |
| D507,362 S | 7/2005 | Minami | |
| D509,923 S * | 9/2005 | Arthur | D26/139 |
| D513,644 S | 1/2006 | Ruzicka et al. | |
| D544,641 S | 6/2007 | Elwell et al. | |
| D576,765 S | 9/2008 | Song et al. | |
| D595,895 S | 7/2009 | Lamm | |
| D604,893 S | 11/2009 | Woolley et al. | |
| D608,498 S | 1/2010 | Beigel et al. | |
| D647,225 S | 10/2011 | Conway et al. | |
| D686,774 S | 7/2013 | McCabe et al. | |

OTHER PUBLICATIONS

“Class Pays, Truck Models,” Peterbilt Motors Company, Denton, Texas, Mar. 2005, 24-page brochure.
 “Kenworth Truck Models,” Kenworth Truck Company, Kirkland, Washington, 2010, 16-page brochure.
 “Model 387,” Peterbilt Motors Company, Denton, Texas, Oct. 2002, 2-page brochure.
 “PACCAR Engines, 2010 Medium Duty Engines,” PACCAR Inc, Bellevue, Washington, 2010, 6-page brochure.

“PACCAR MX,” PACCAR Inc, Bellevue, Washington, 2010, 4-page brochure.
 “T170 Class 5,” Kenworth Truck Company, Kirkland, Washington, 2008, 4-page brochure.
 “T270 Class 6, and T370 Class 7,” Kenworth Truck Company, Kirkland, Washington, 2008, 6-page brochure.
 “T270 Class 6 and T370 Class 7,” Kenworth Truck Company, Kirkland, Washington, 2009, 6-page brochure.
 “T270 Class 6 and T370 Class 7 Hybrid,” Kenworth Truck Company, Kirkland, Washington, 2009, 6-page brochure.
 “T300,” Kenworth Truck Company, Kirkland, Washington, 2005, 16-page brochure.
 “T440,” Kenworth Truck Company, Kirkland, Washington, 2010, 2-page brochure.
 “T440,” Kenworth Truck Company, Kirkland, Washington, 2010, 6-page brochure.
 “T470,” Kenworth Truck Company, Kirkland, Washington, 2010, 6-page brochure.
 “T470H,” Kenworth Truck Company, Kirkland, Washington, 2009, 2-page brochure.
 “T660,” Kenworth Truck Company, Kirkland, Washington, 2007, 36-page brochure.
 “T660,” Kenworth Truck Company, Kirkland, Washington, 2009, 36-page brochure.
 “T700,” Kenworth Truck Company, Kirkland, Washington, 2010, 6-page brochure.

* cited by examiner

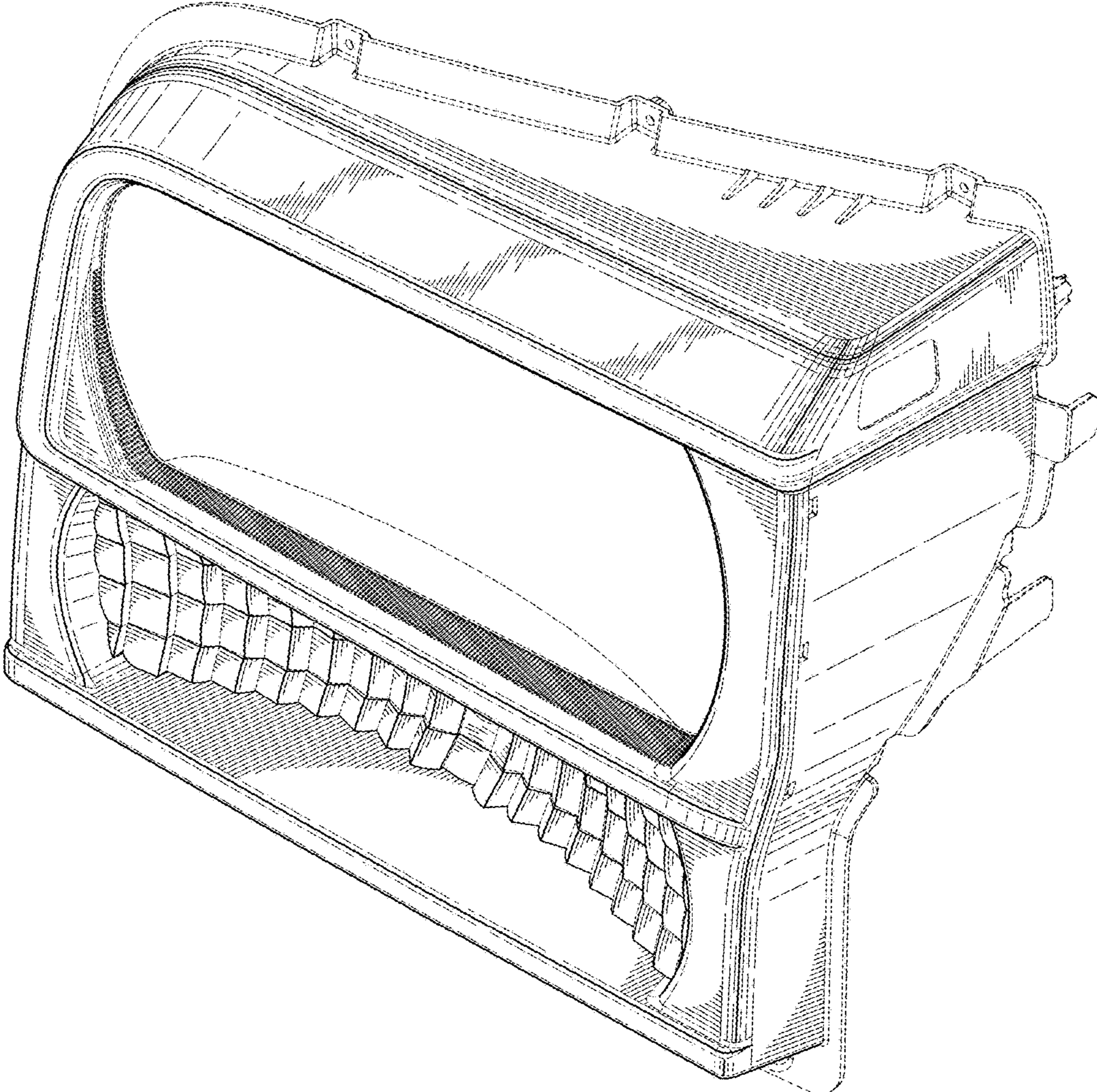


Fig. 1.

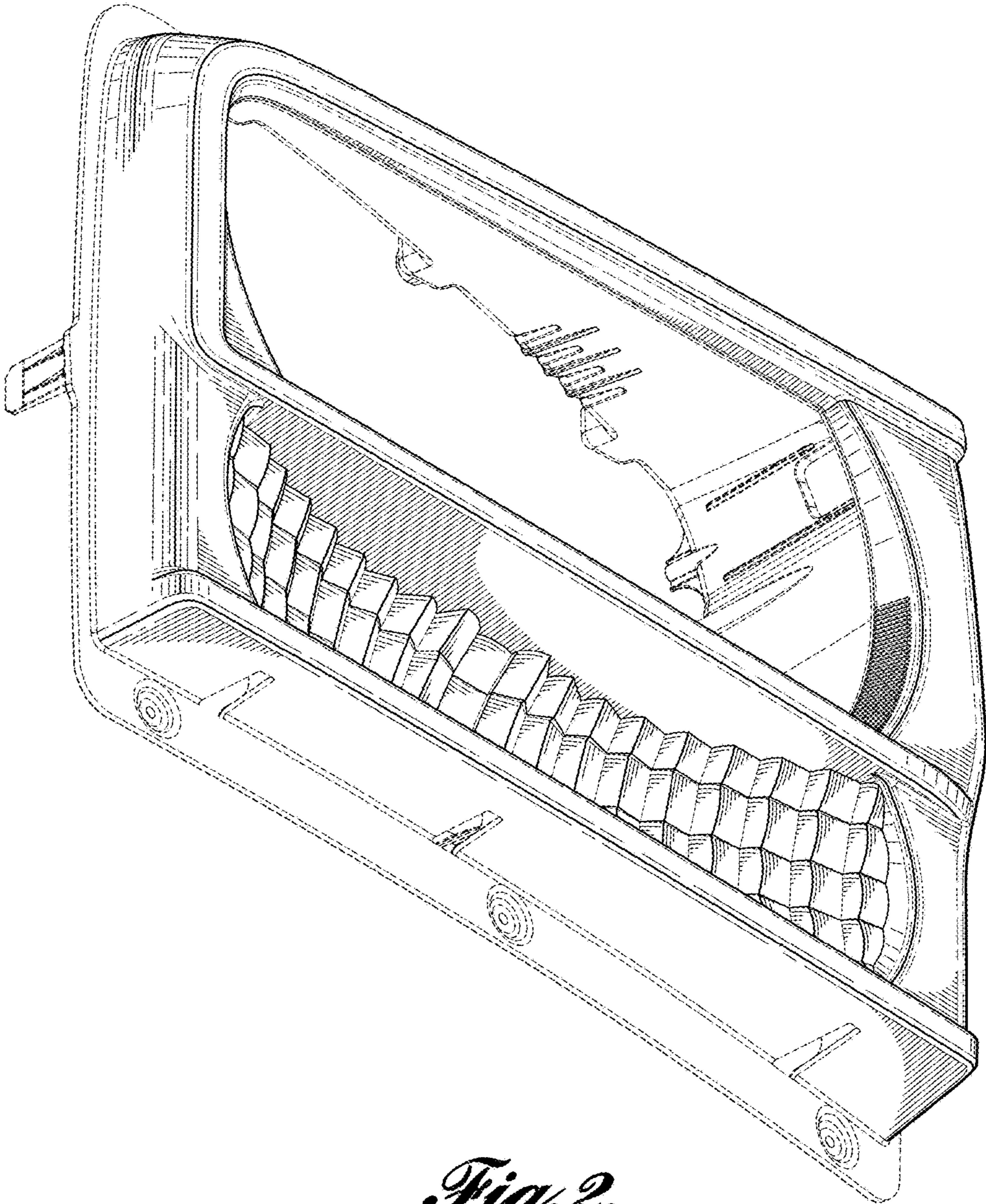
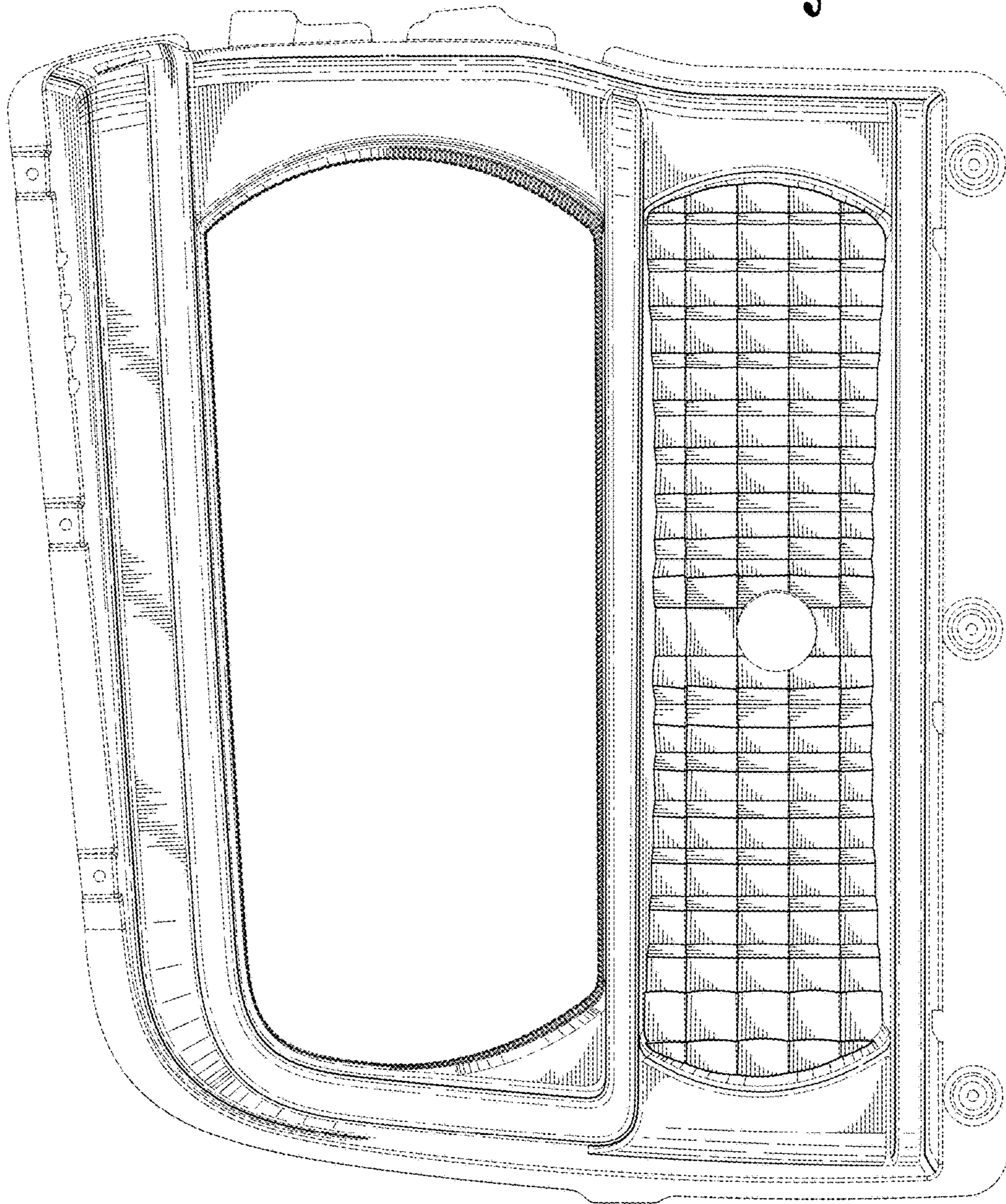


Fig. 2.

Fig. 3.



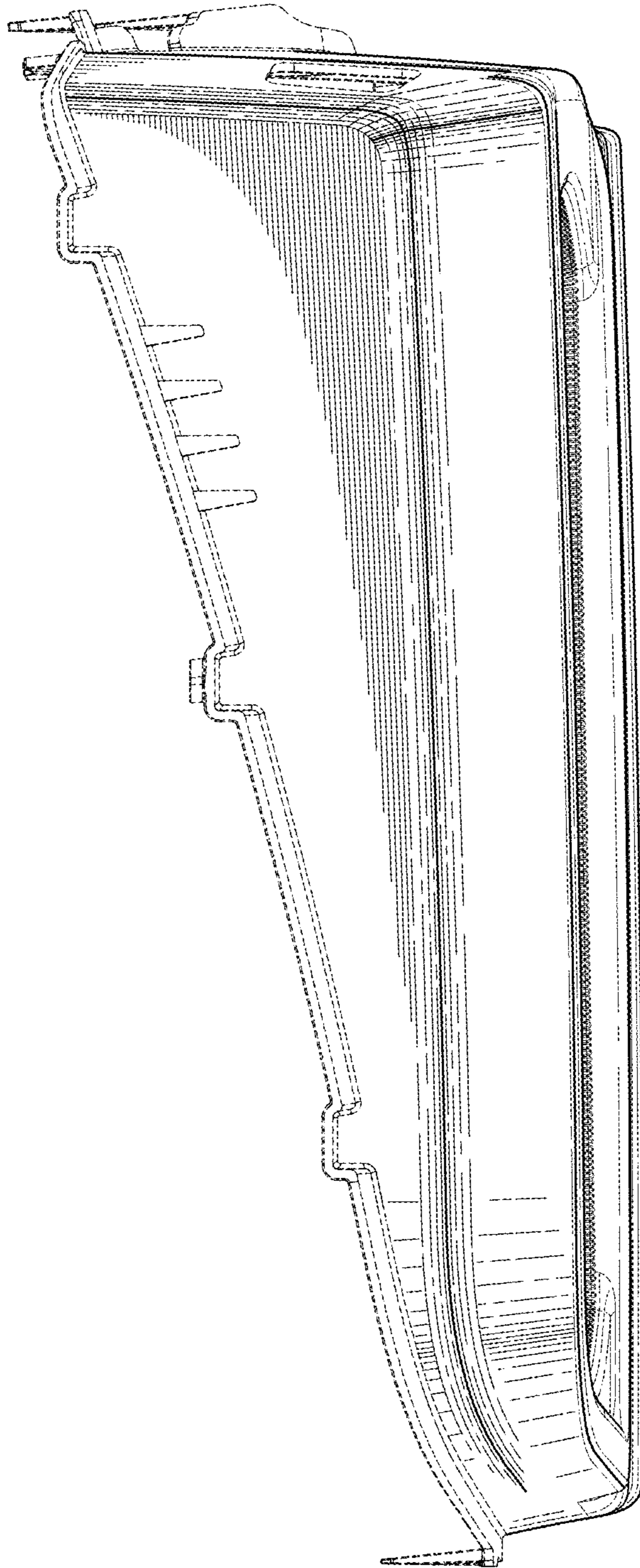


Fig. 4.

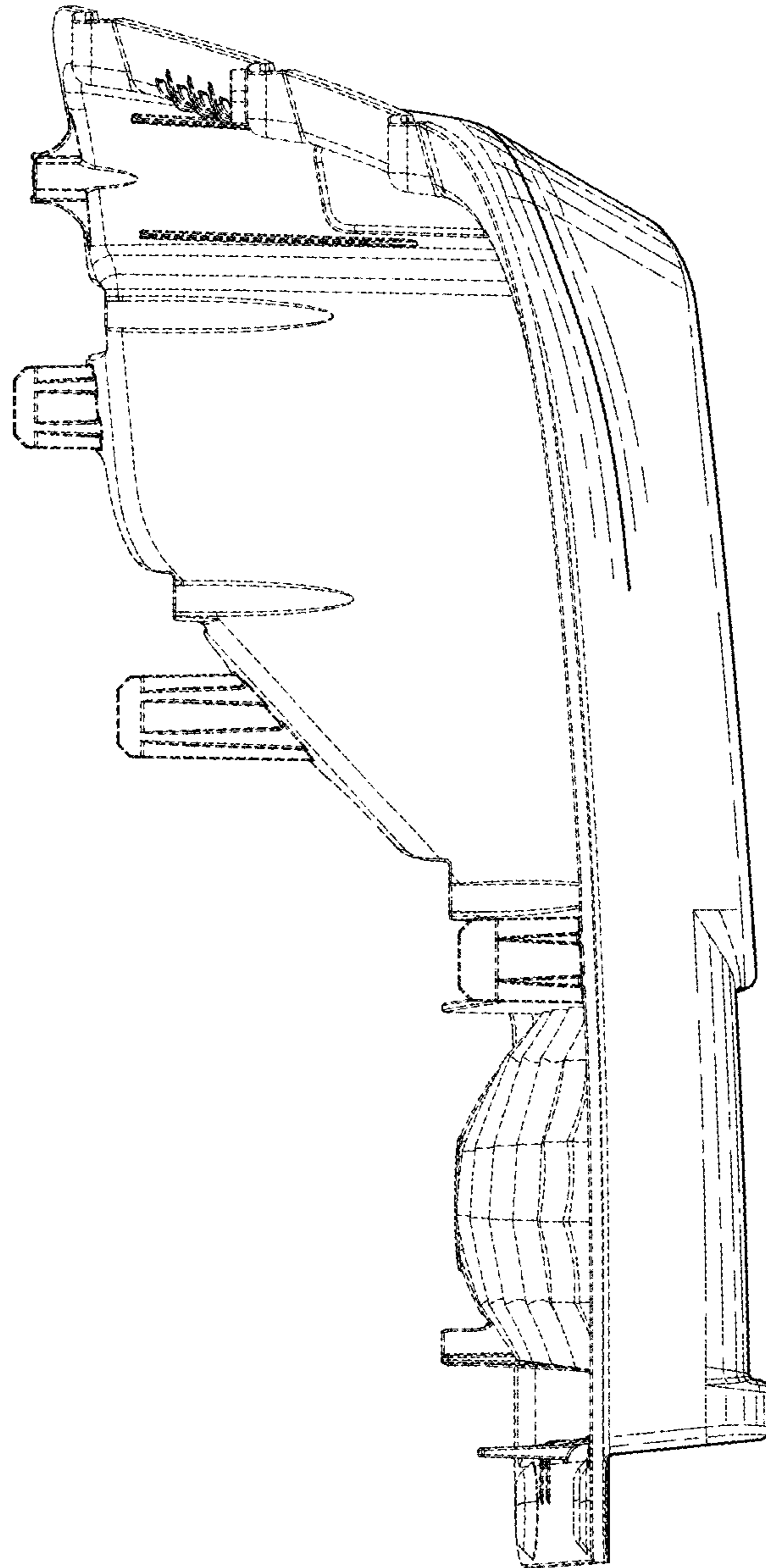


Fig. 5.

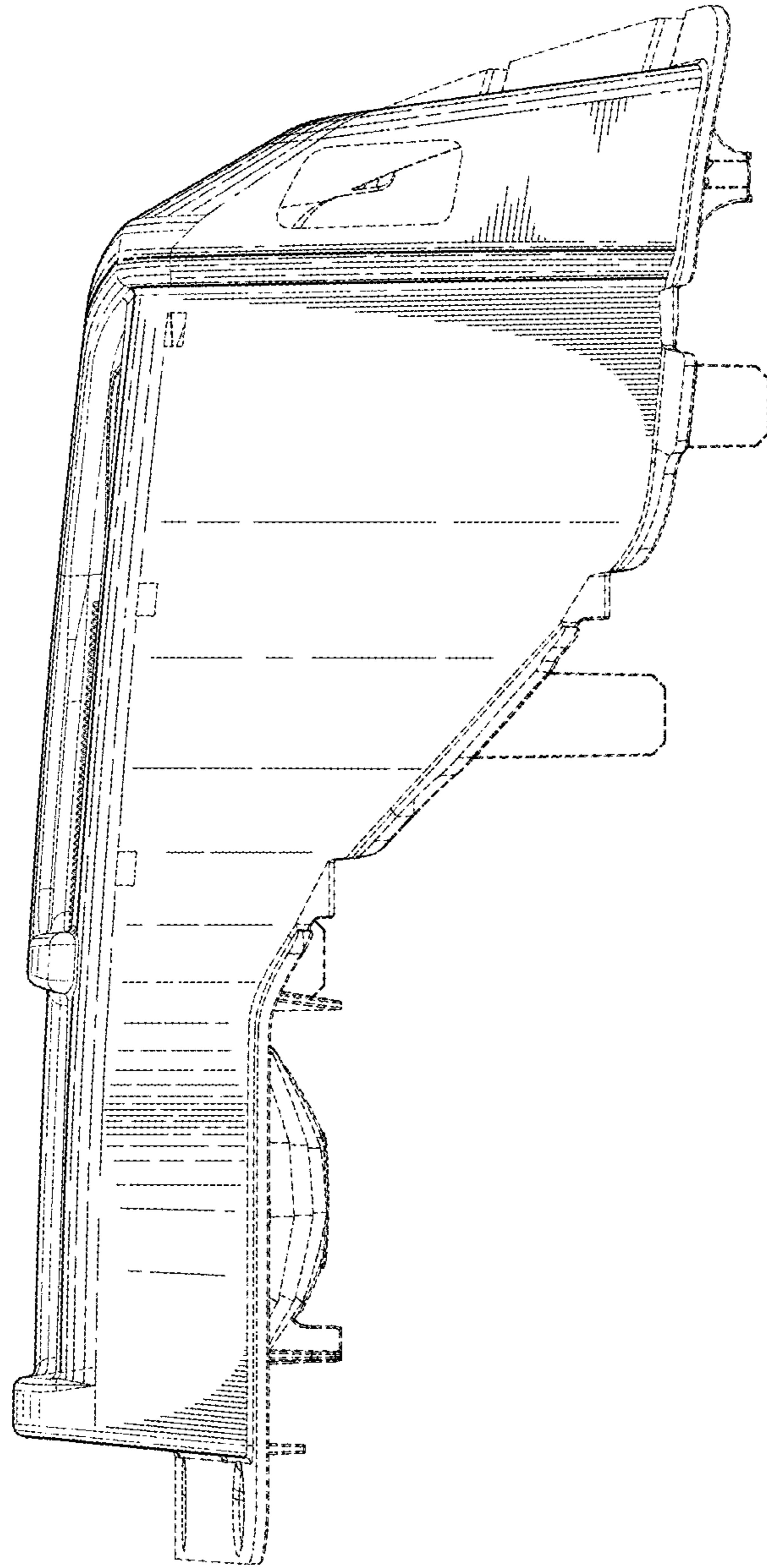


Fig. 6.