



US00D821025S

(12) **United States Design Patent**  
**Mizobe**

(10) **Patent No.:** **US D821,025 S**

(45) **Date of Patent:** **\*\* Jun. 19, 2018**

(54) **LIGHTING EQUIPMENT**

(71) Applicant: **NEC Lighting, Ltd.**, Minato-ku, Tokyo (JP)

(72) Inventor: **Norimasa Mizobe**, Tokyo (JP)

(73) Assignee: **NEC LIGHTING, LTD.**, Minato-Ku, Tokyo (JP)

(\*\*) Term: **15 Years**

(21) Appl. No.: **29/607,683**

(22) Filed: **Jun. 15, 2017**

(30) **Foreign Application Priority Data**

Dec. 16, 2016 (JP) ..... 2016-027347

(51) **LOC (11) Cl.** ..... **26-99**

(52) **U.S. Cl.**  
USPC ..... **D26/138**

(58) **Field of Classification Search**

USPC ..... D26/1, 24, 61, 63, 65, 85, 92, 138

CPC ..... F21V 21/14; F21V 15/01; F21V 14/02;

F21V 21/30; F21V 21/00; F21V 14/00;

F21S 8/00; F21S 8/003; F21S 8/043;

F21Y 2105/001

See application file for complete search history.

(56) **References Cited**

**U.S. PATENT DOCUMENTS**

D490,559 S \* 5/2004 Small ..... D26/138

D586,491 S \* 2/2009 Levine ..... D26/63

D769,508 S \* 10/2016 Rosello Gratacos ..... D26/63  
D789,581 S \* 6/2017 Peard ..... D26/61  
D806,300 S \* 12/2017 York ..... D26/63

**OTHER PUBLICATIONS**

Approach Lighting System. Approach Flash Lighting System. AFLS (Approach Flash Lighting System) notify airplane of landing point and direction by flashing of high-intensity xenon lamp, ALS Catalogue, NEC Lighting, Ltd. (2011) NEC Corporation (2 pages, in English).

\* cited by examiner

*Primary Examiner* — Brian N. Vinson

(74) *Attorney, Agent, or Firm* — Buchanan Ingersoll & Rooney PC

(57) **CLAIM**

The ornamental design for a lighting equipment, as shown and described.

**DESCRIPTION**

FIG. 1 is a front, right side, top perspective view of a lighting equipment showing my new design;

FIG. 2 is a front elevational view thereof;

FIG. 3 is a rear elevational view thereof;

FIG. 4 is a left side view thereof;

FIG. 5 is a right side view thereof;

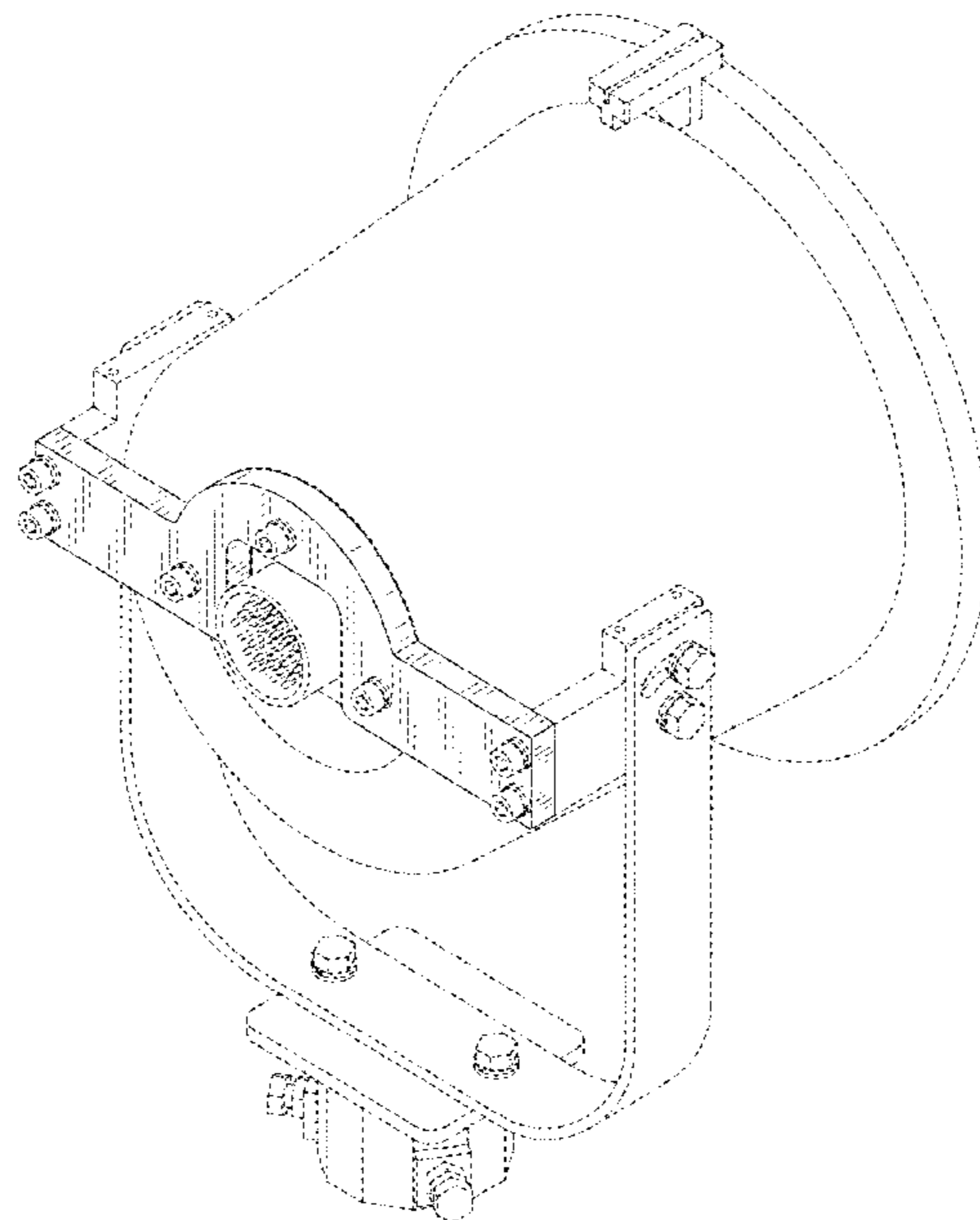
FIG. 6 is a top plan view thereof;

FIG. 7 is a bottom plan view thereof; and,

FIG. 8 is an enlarged view of Detail A shown in FIG. 3 so as to better illustrate the broken lines thereof.

The portions depicted by broken lines are for illustrative purpose only and form no part of the claimed design.

**1 Claim, 8 Drawing Sheets**



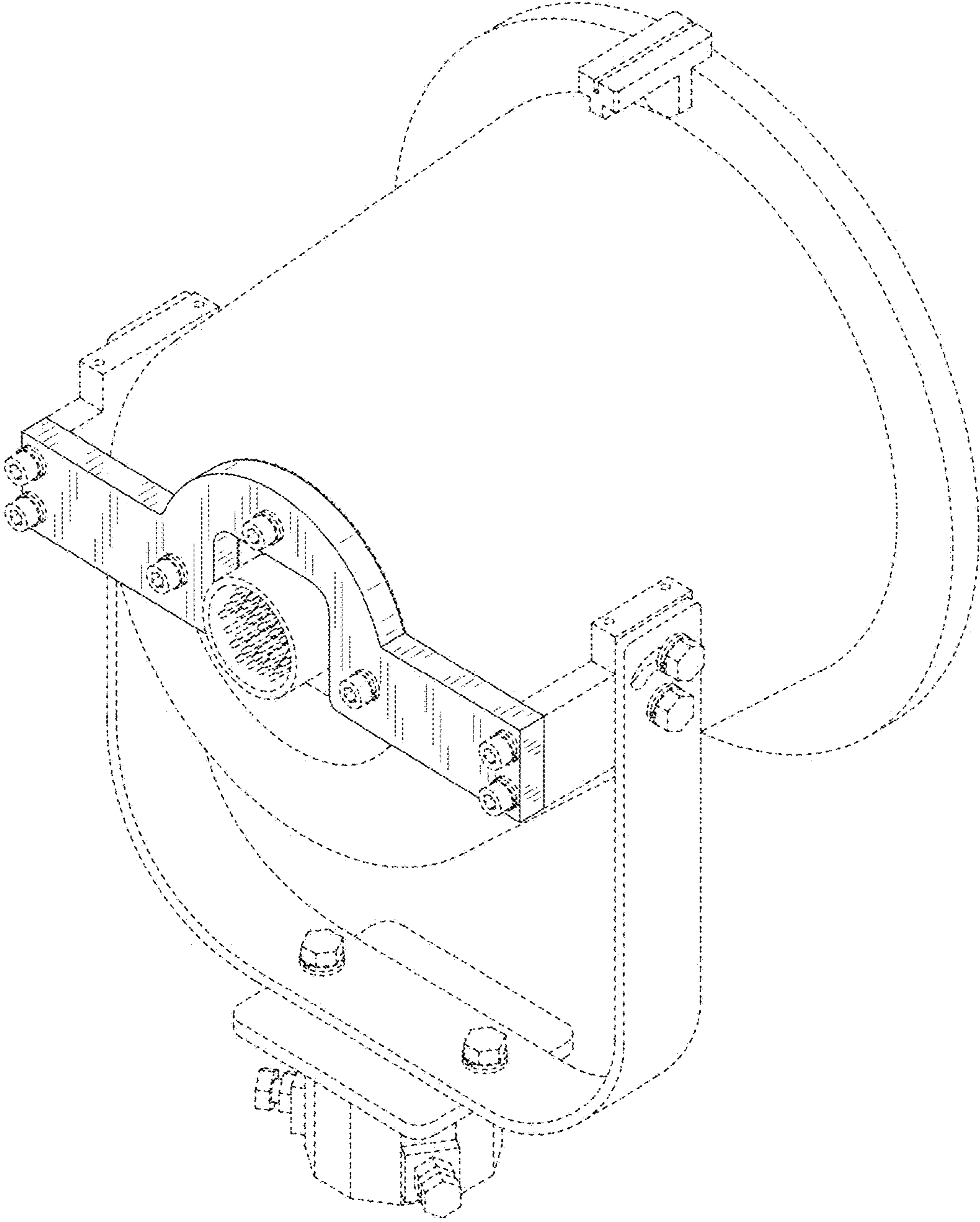


FIG. 1

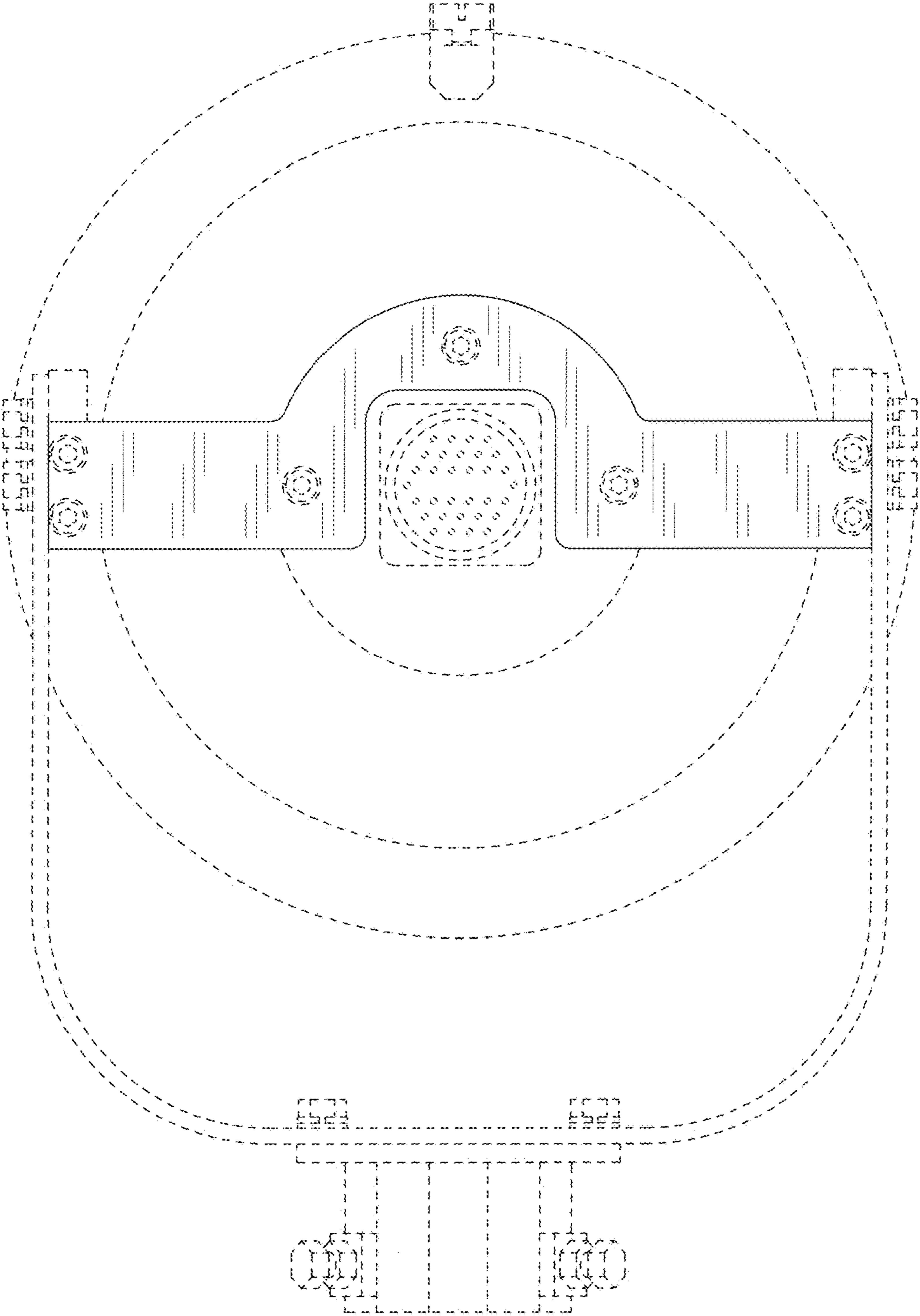


FIG. 2

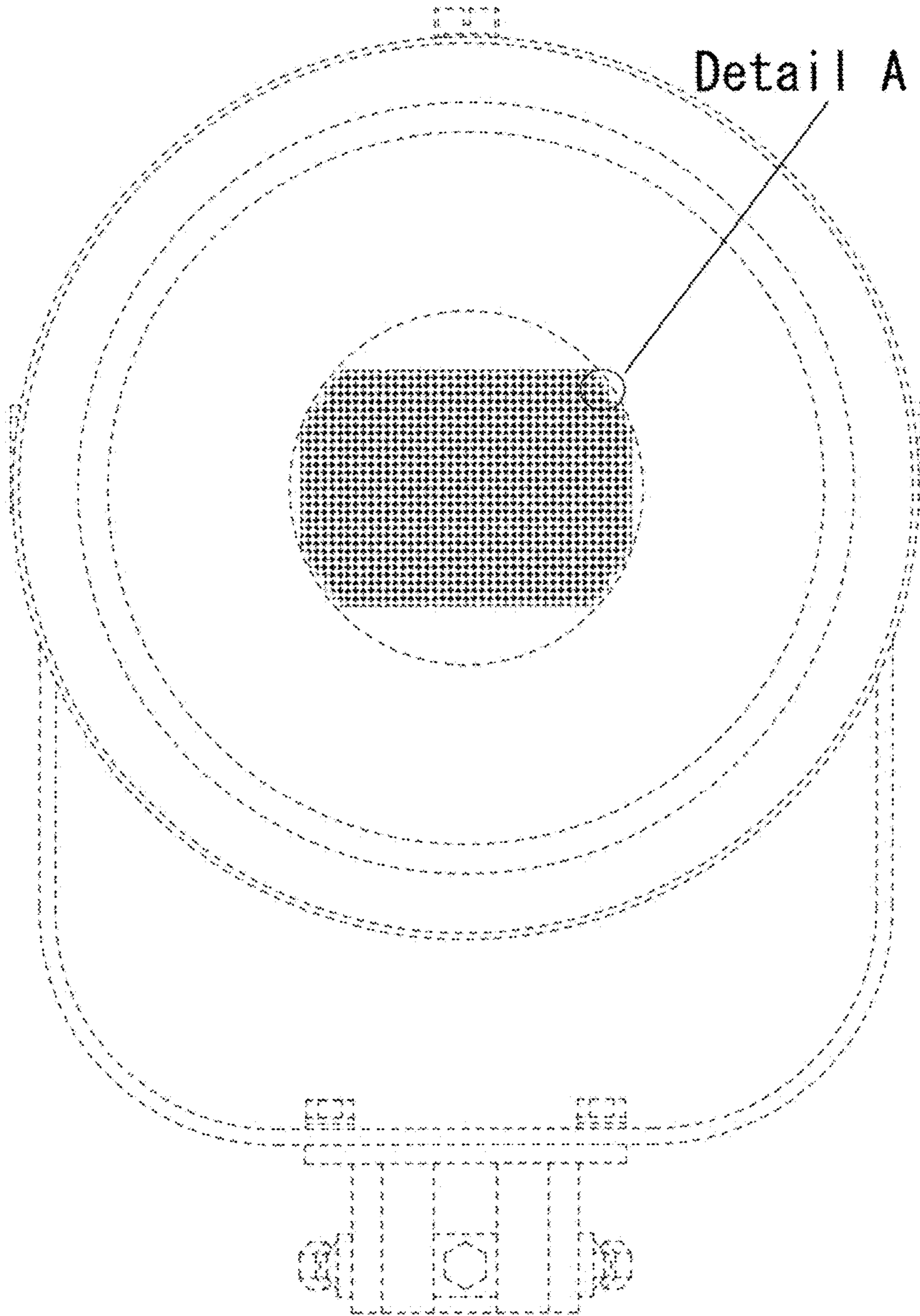


FIG. 3

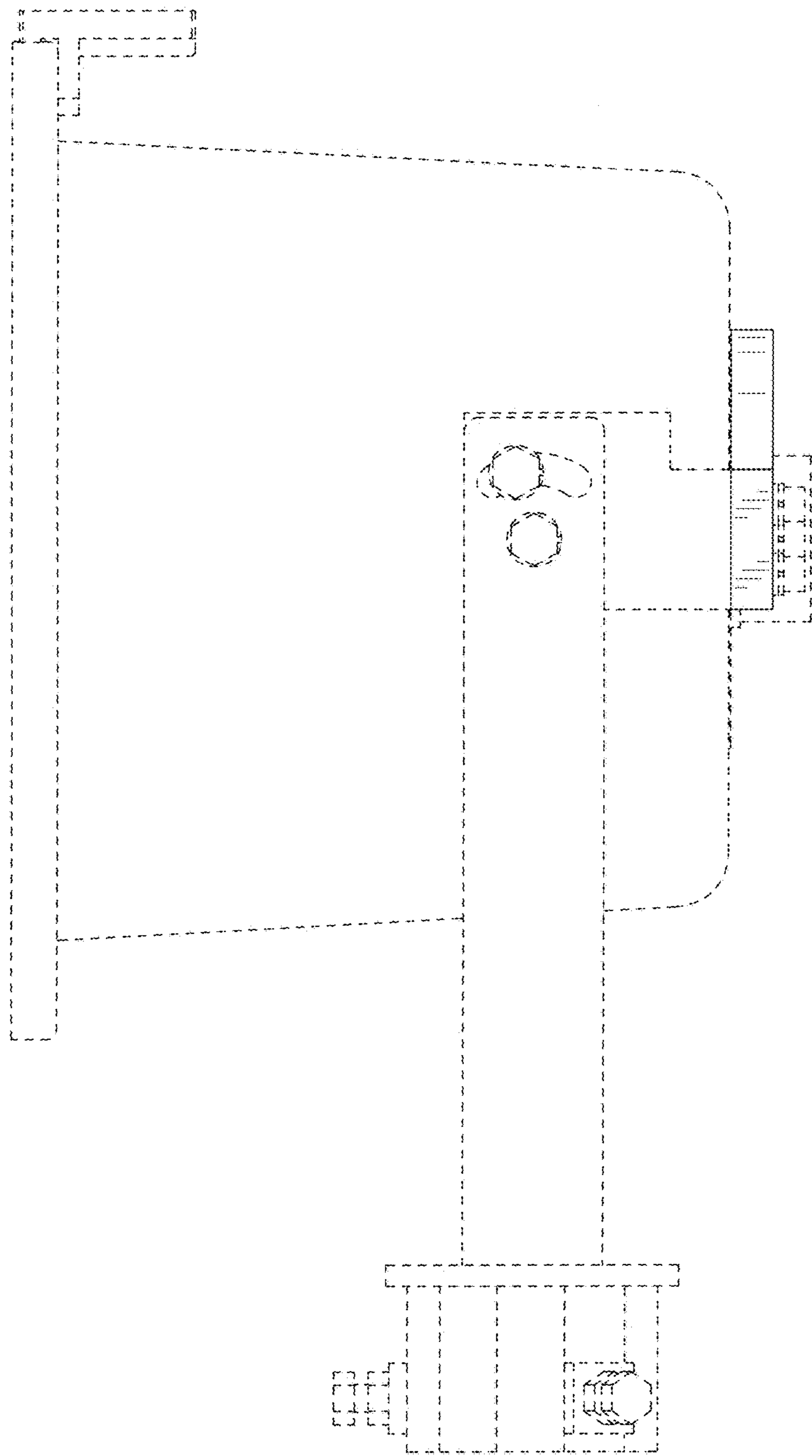


FIG. 4

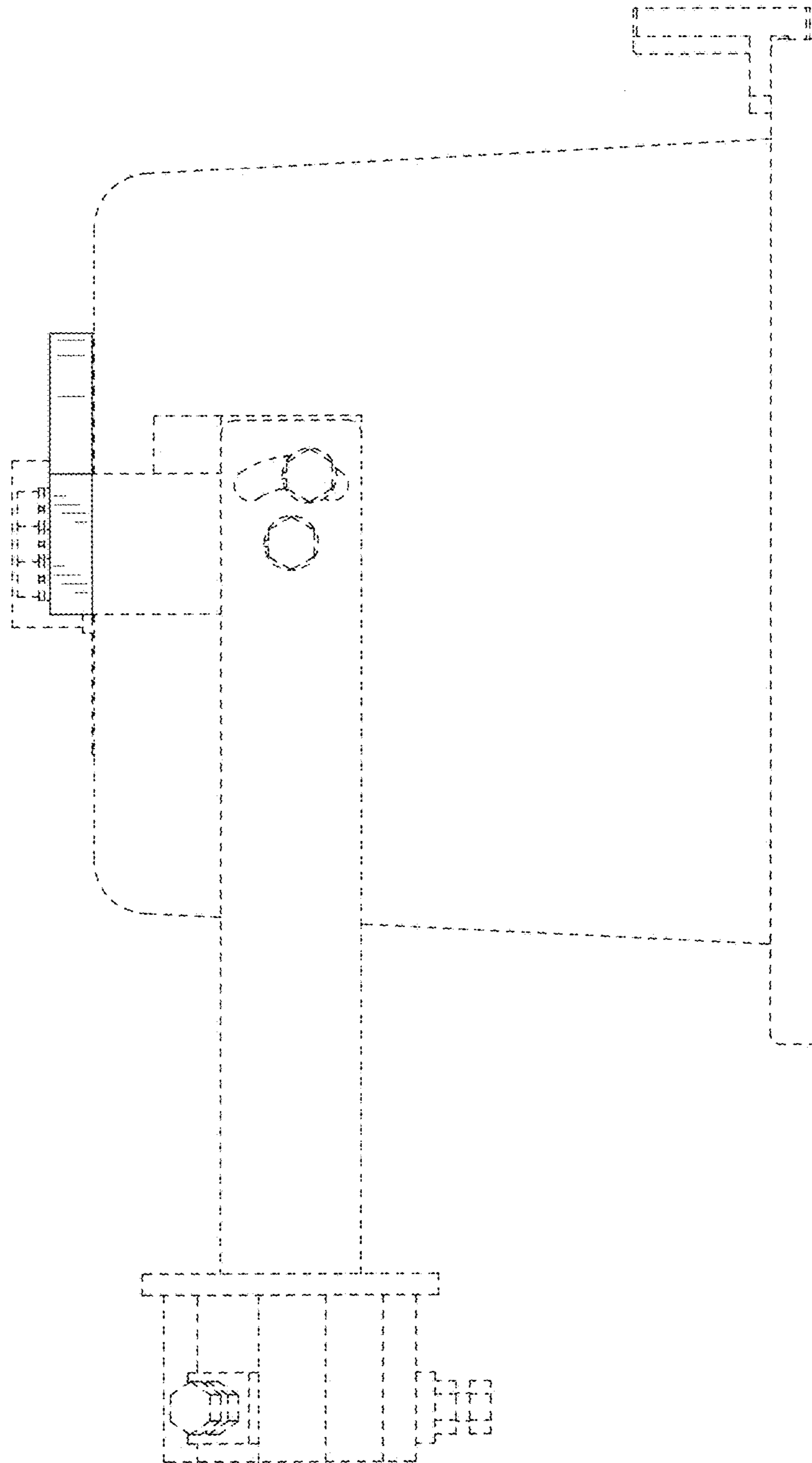


FIG. 5

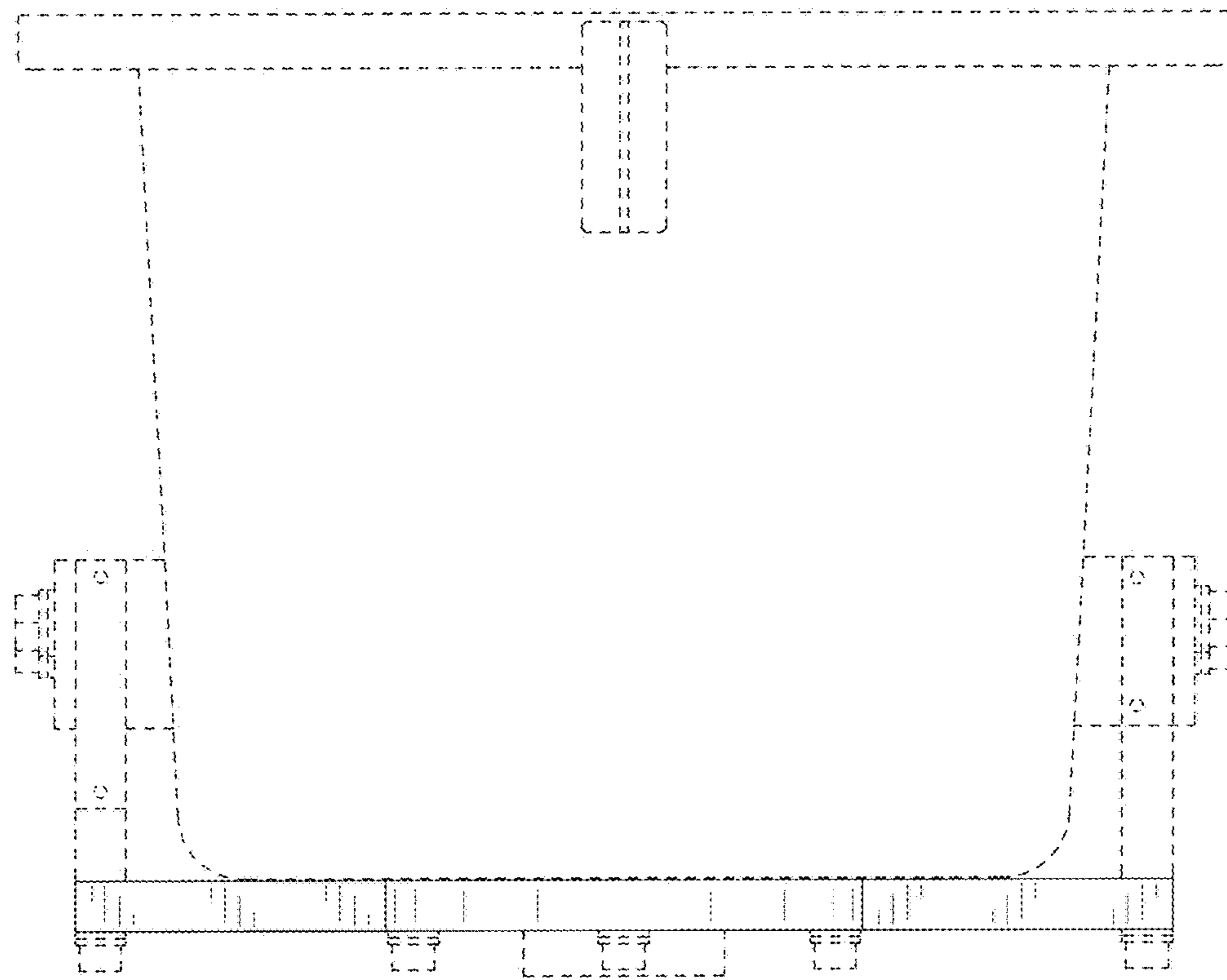


FIG. 6

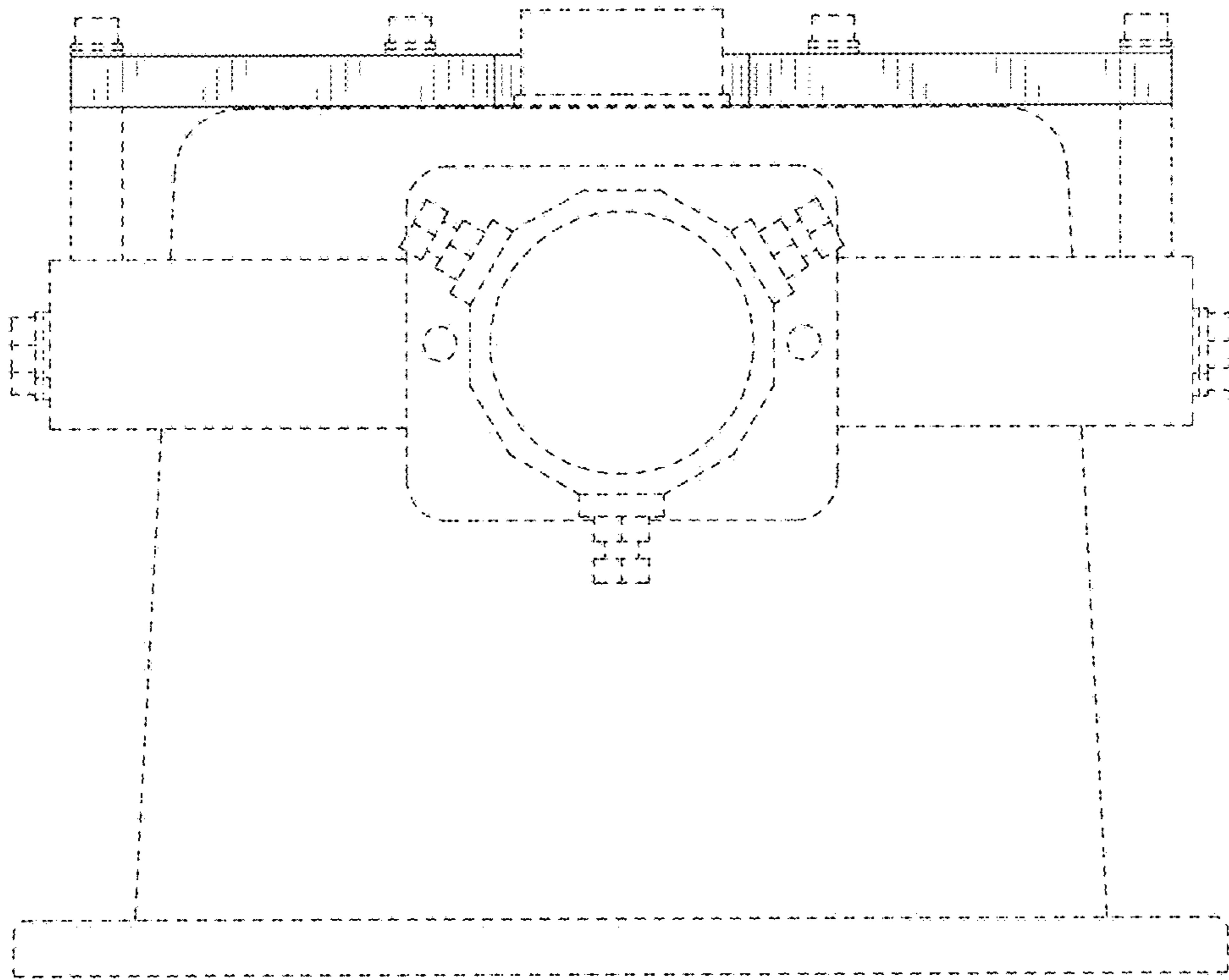


FIG. 7



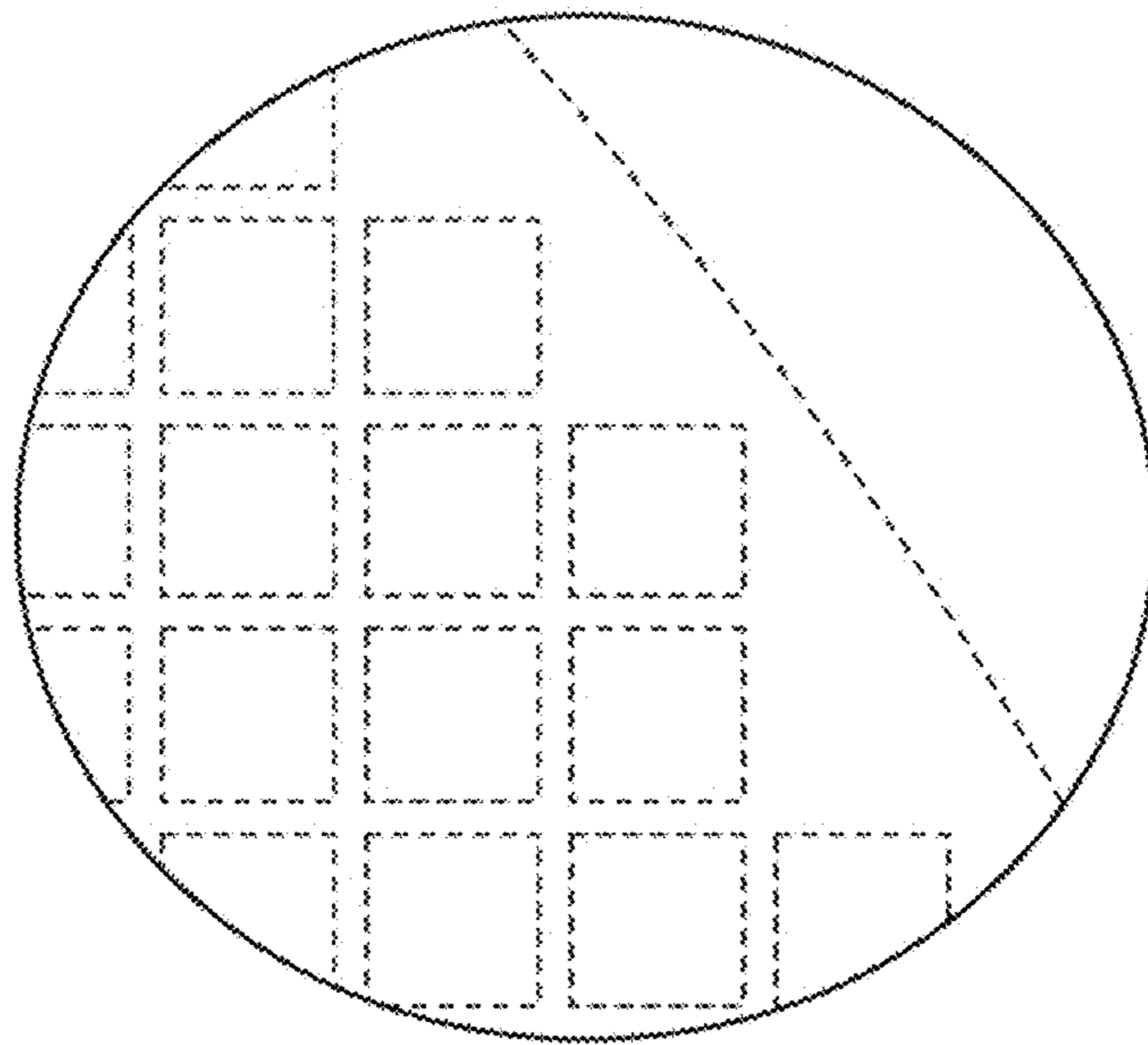


FIG. 8