



US00D821024S

(12) **United States Design Patent**  
**Tomlinson**

(10) **Patent No.:** **US D821,024 S**  
(45) **Date of Patent:** **\*\* Jun. 19, 2018**

(54) **LIGHTING FIXTURE**

(71) Applicant: **Hinkley Lighting, Inc.**, Avon Lake, OH (US)

(72) Inventor: **Joel Tomlinson**, Westlake, OH (US)

(73) Assignee: **HINKLEY LIGHTING, INC.**, Avon Lake, OH (US)

(\*\*) Term: **15 Years**

(21) Appl. No.: **29/565,188**

(22) Filed: **May 18, 2016**

**Related U.S. Application Data**

(62) Division of application No. 29/514,754, filed on Jan. 15, 2015, now Pat. No. Des. 760,420.

(51) **LOC (11) Cl.** ..... **26-99**

(52) **U.S. Cl.**  
USPC ..... **D26/138; D26/141; D26/145**

(58) **Field of Classification Search**  
USPC ..... D26/72, 80, 81, 84, 85, 86, 87, 88, 90,  
D26/91, 93, 103-105, 138, 141, 143, 145,  
D26/152, 155  
CPC .... F21S 8/043; F21S 8/046; F21S 8/06; F21S  
8/061; F21S 8/063; F21S 8/065; F21S  
8/068; F21S 8/083

See application file for complete search history.

(56) **References Cited**

**U.S. PATENT DOCUMENTS**

D59,525 S	*	10/1921	Smith	.....	D26/152
D235,914 S	*	7/1975	Schacht	.....	D26/84
D240,653 S	*	7/1976	Eftekhar	.....	D26/80
D445,949 S	*	7/2001	Dolan	.....	D26/155
D493,568 S	*	7/2004	Parres	.....	D26/143
D511,858 S	*	11/2005	Porter	.....	D26/155
D592,787 S	*	5/2009	Chandler	.....	D26/81

D634,887 S	*	3/2011	Kitts	.....	D26/143
D638,569 S	*	5/2011	Heyrman	.....	D26/88
D668,813 S	*	10/2012	Orozco	.....	D26/141
D686,770 S	*	7/2013	Orozco	.....	D26/143
D760,420 S	*	6/2016	Tomlinson	.....	D26/81
D773,101 S	*	11/2016	Sonneman	.....	D26/88
9,777,899 B2	*	10/2017	Sonneman	.....	F21S 8/065
D806,305 S	*	12/2017	Amato	.....	D26/81
2009/0213581 A1	*	8/2009	Gauger	.....	F21S 8/065 362/161

**OTHER PUBLICATIONS**

Industrial Wire Chic Island Chandelier. Item H on p. 31 of the Shades of Light—Red Hot Style 2012 Catalog. (2 pages) (Year: 2012).\*

\* cited by examiner

*Primary Examiner* — Clare E Heflin

(74) *Attorney, Agent, or Firm* — Pearne & Gordon LLP

(57) **CLAIM**

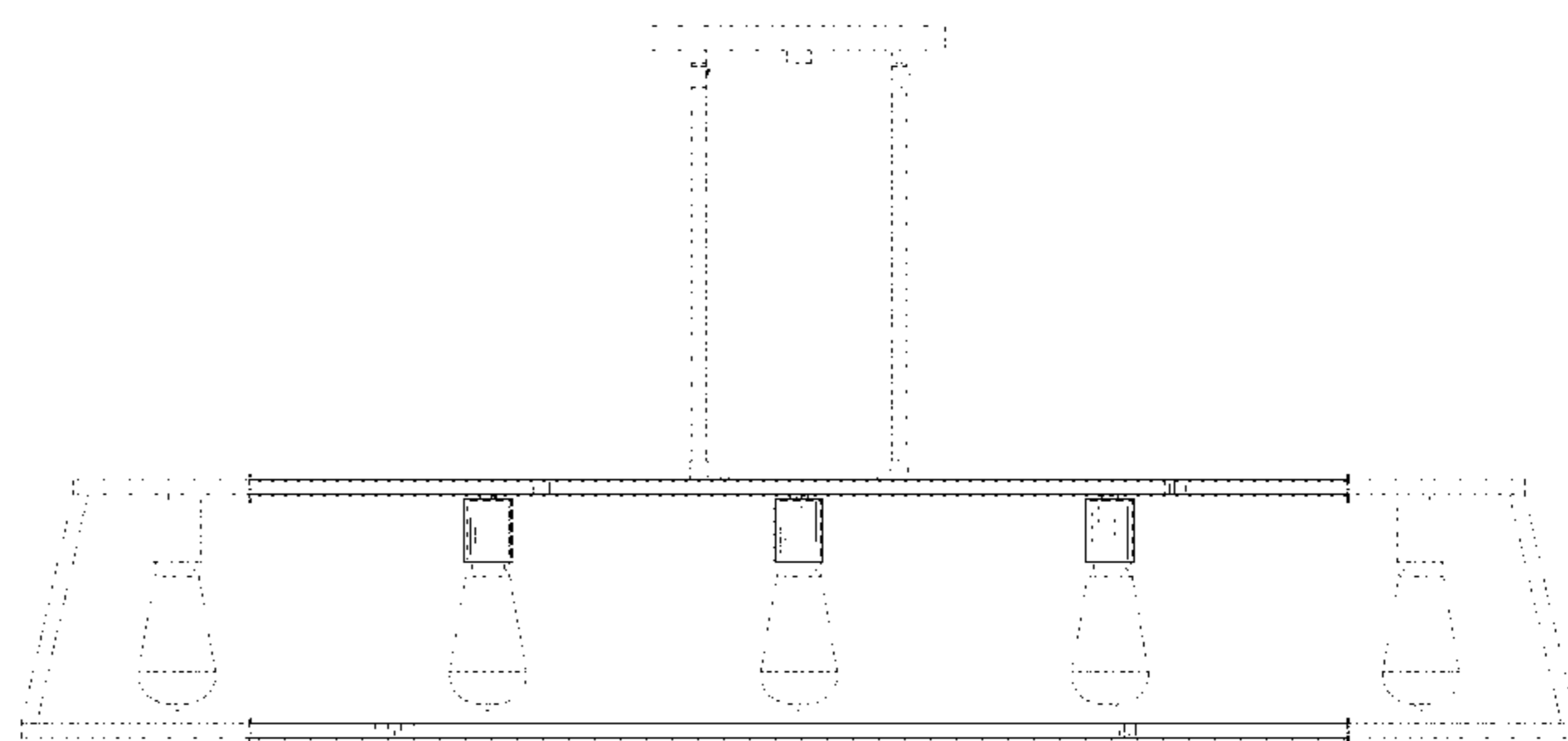
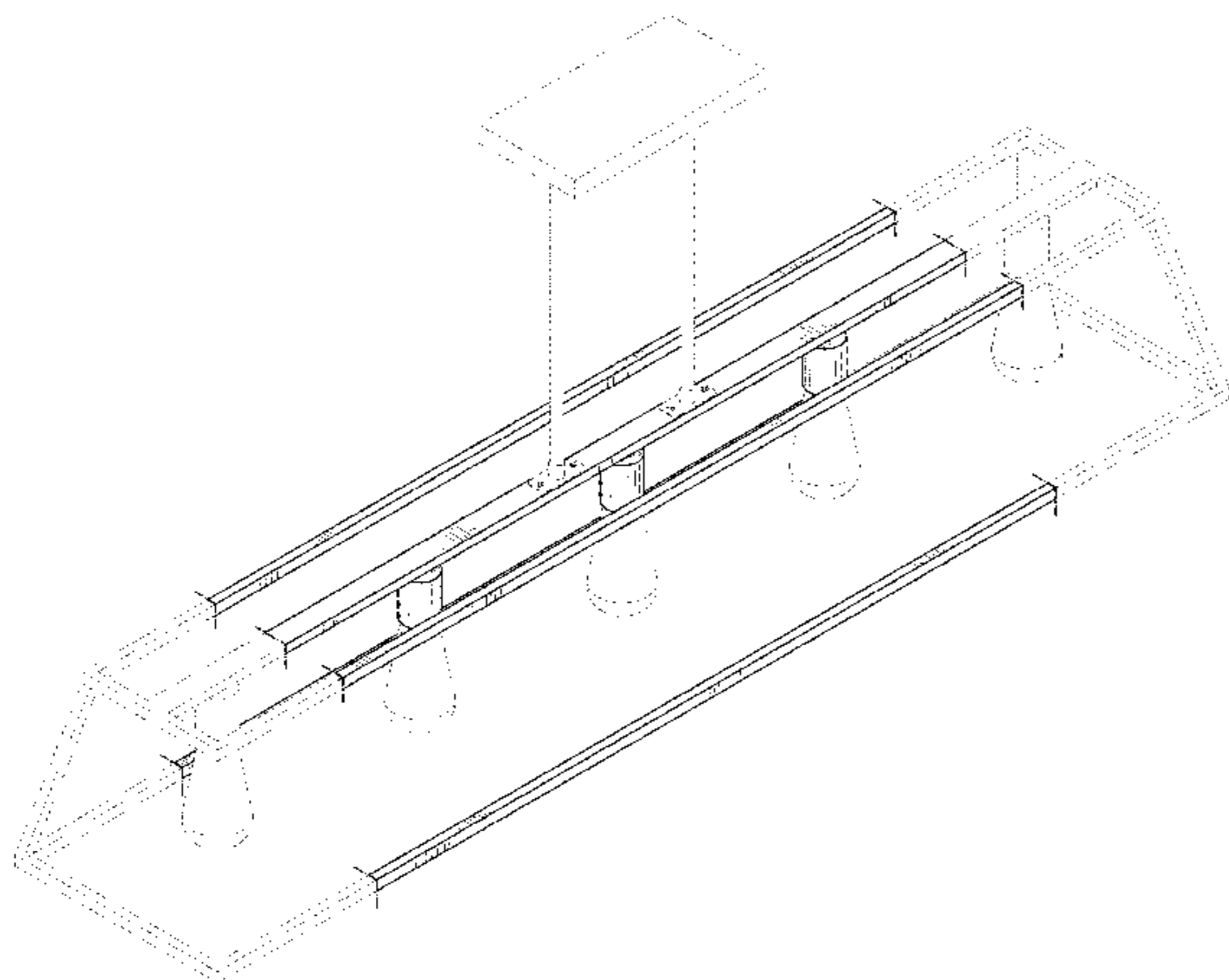
The ornamental design for a lighting fixture, as shown and described.

**DESCRIPTION**

FIG. 1 is a top perspective view of the lighting fixture; FIG. 2 is a bottom perspective view thereof; FIG. 3 is a rear view thereof; FIG. 4 is a front view thereof; FIG. 5 is a left side view thereof; FIG. 6 is a right side view thereof; FIG. 7 is a top view thereof; and, FIG. 8 is a bottom view thereof.

Features illustrated in broken lines represent features of the lighting fixture that form no part of the claimed design. Dot-dash lines in the figures represent boundaries, and form no part of the claimed design.

**1 Claim, 6 Drawing Sheets**



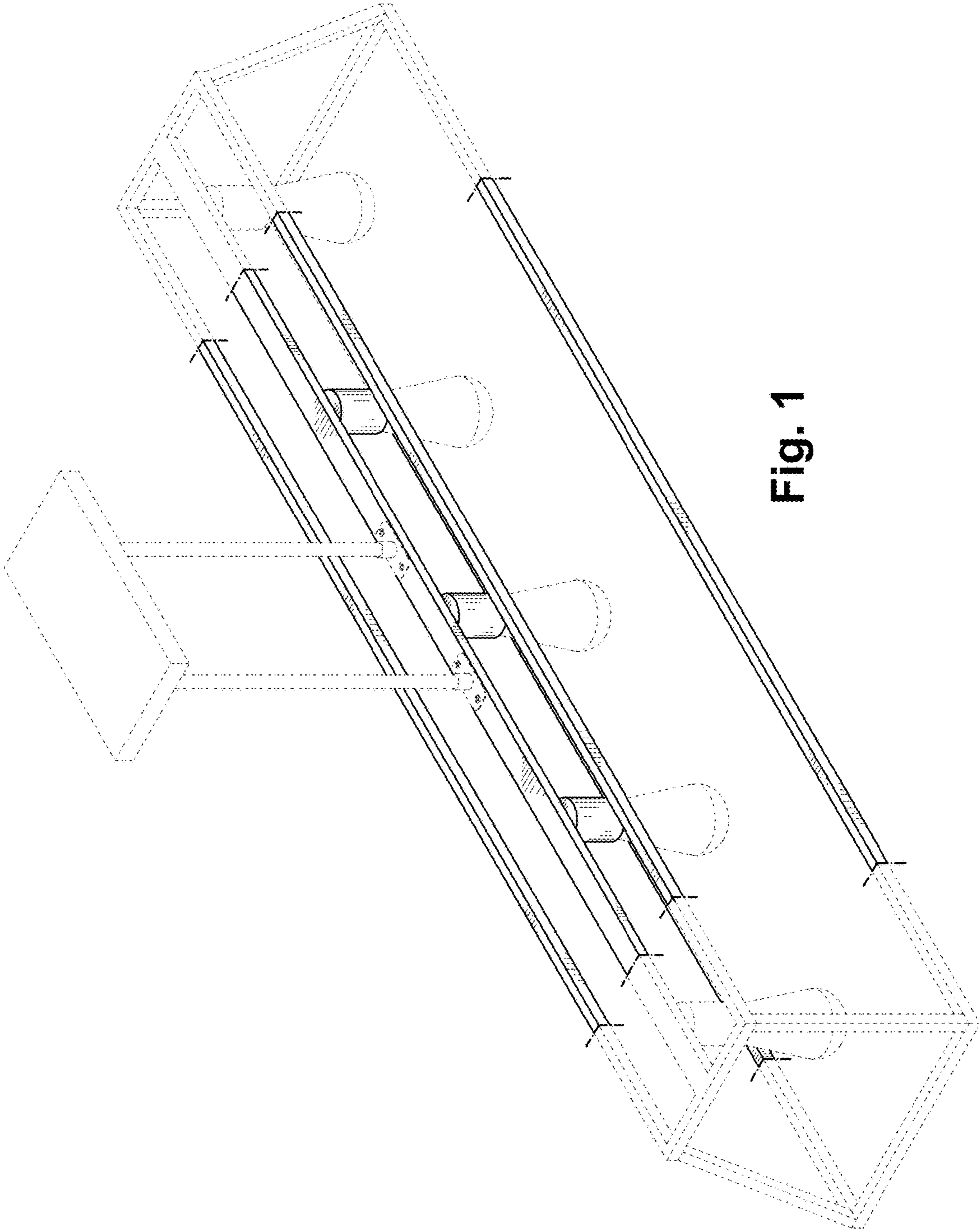


Fig. 1

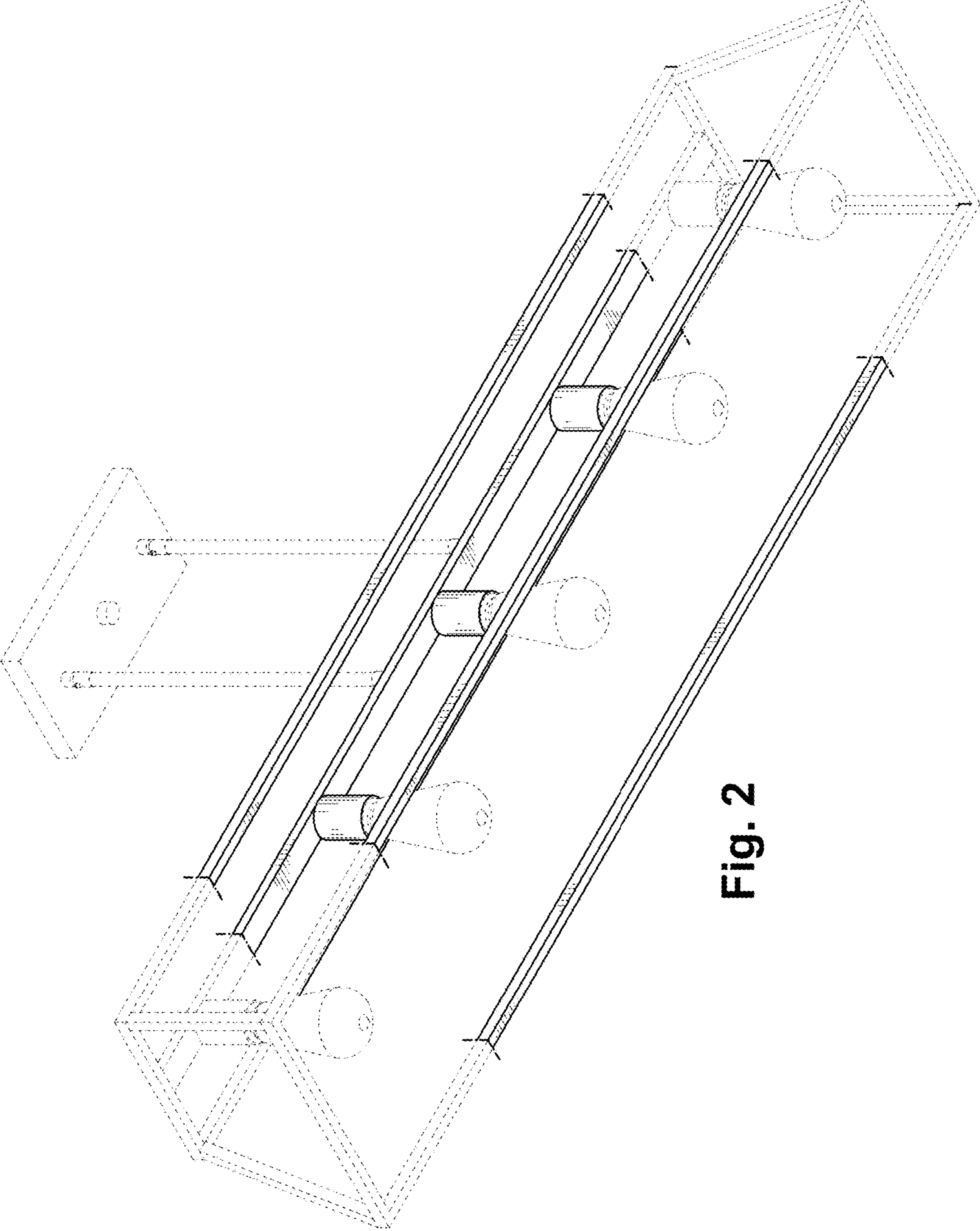


Fig. 2

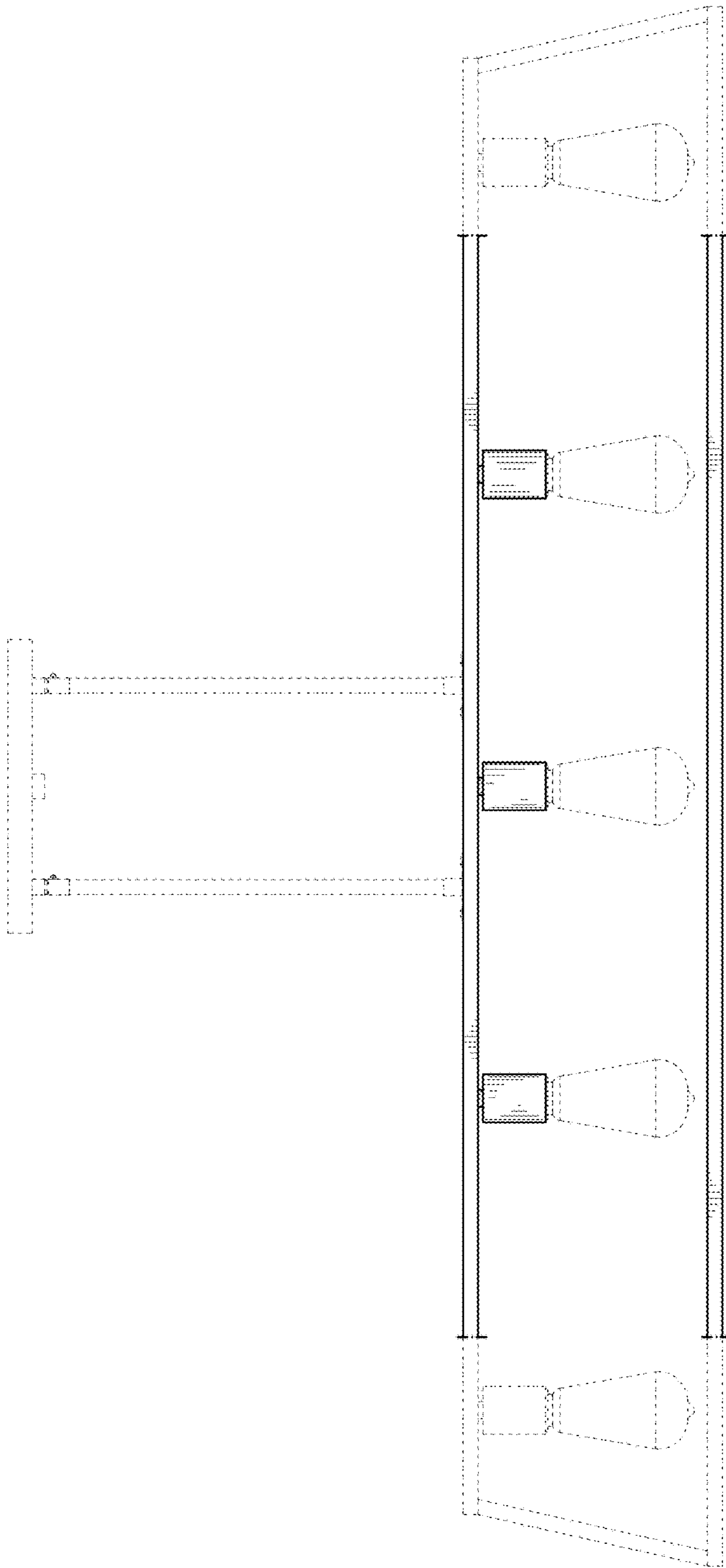


Fig. 3

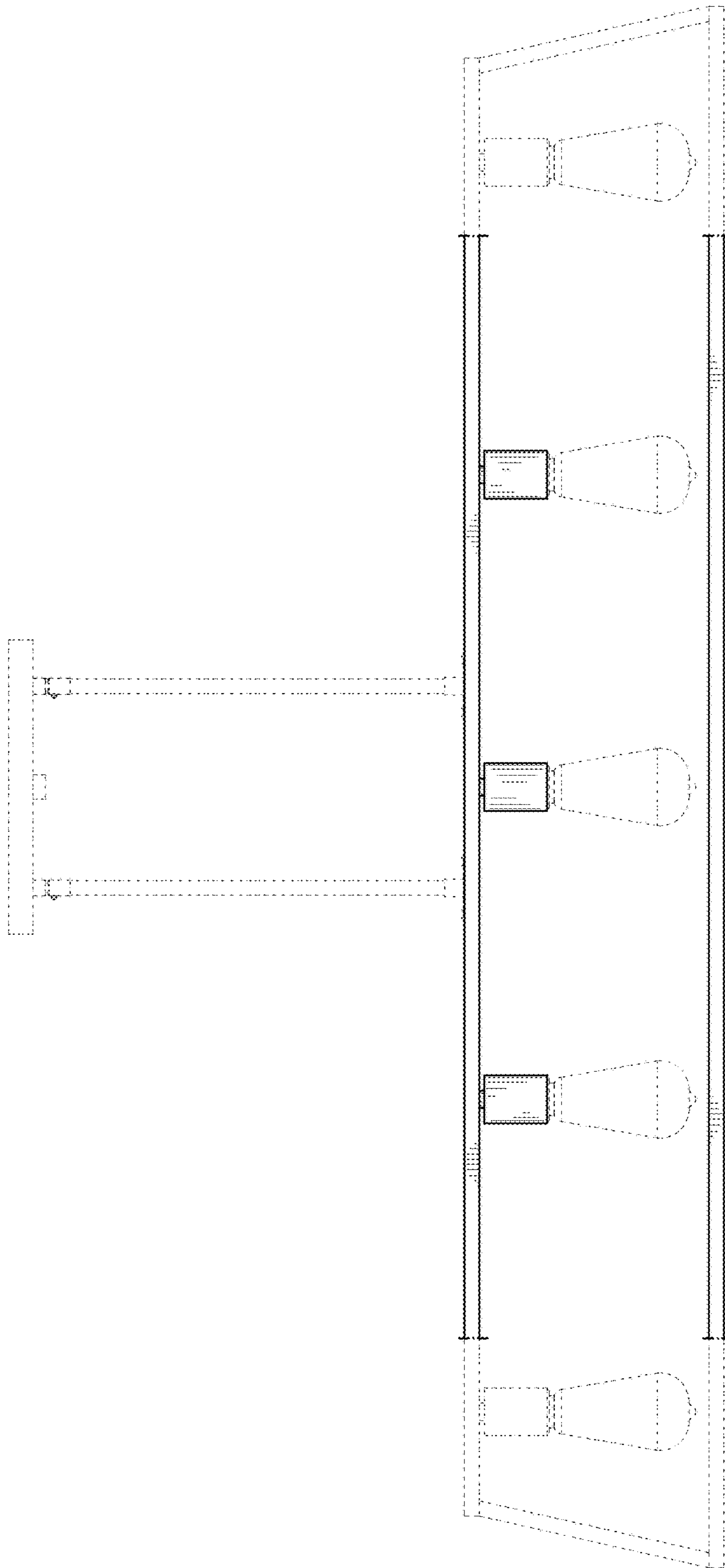


Fig. 4

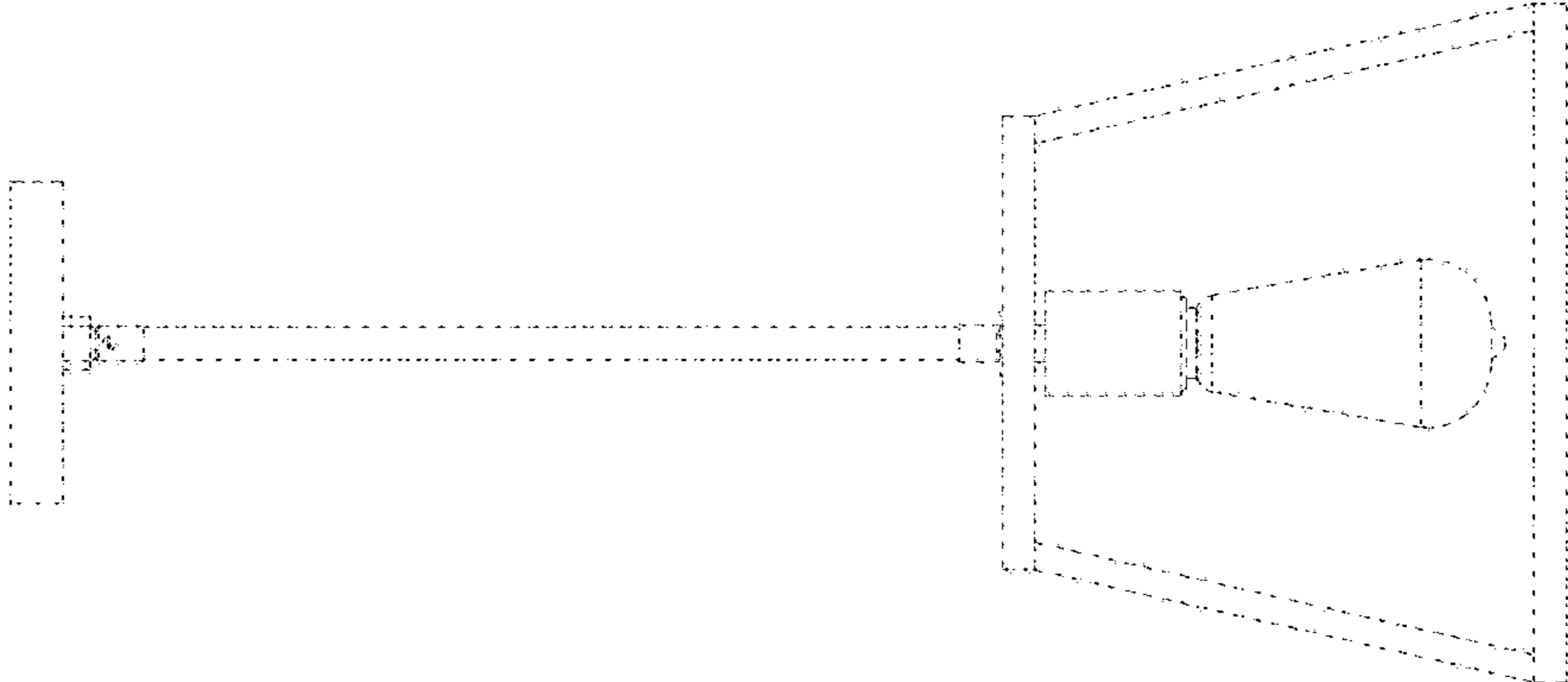


Fig. 5

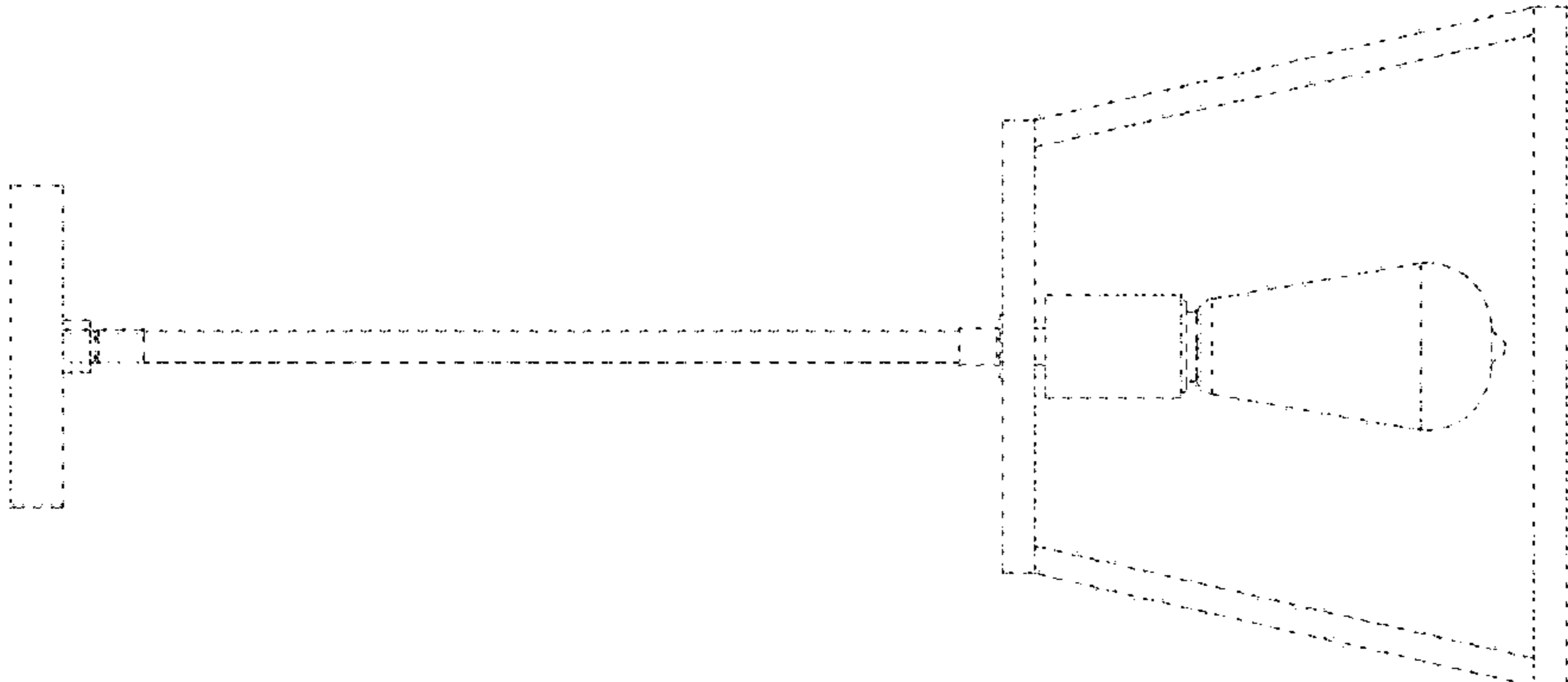


Fig. 6

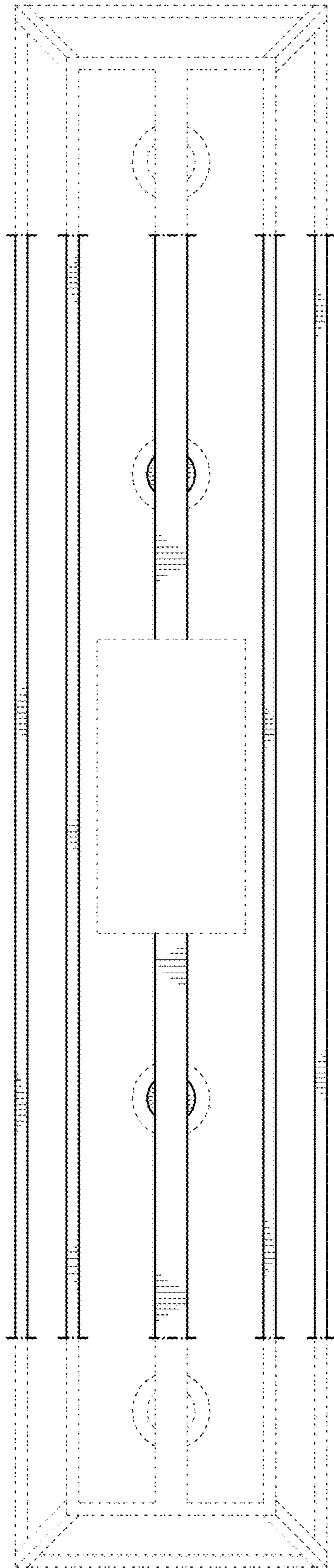


Fig. 7

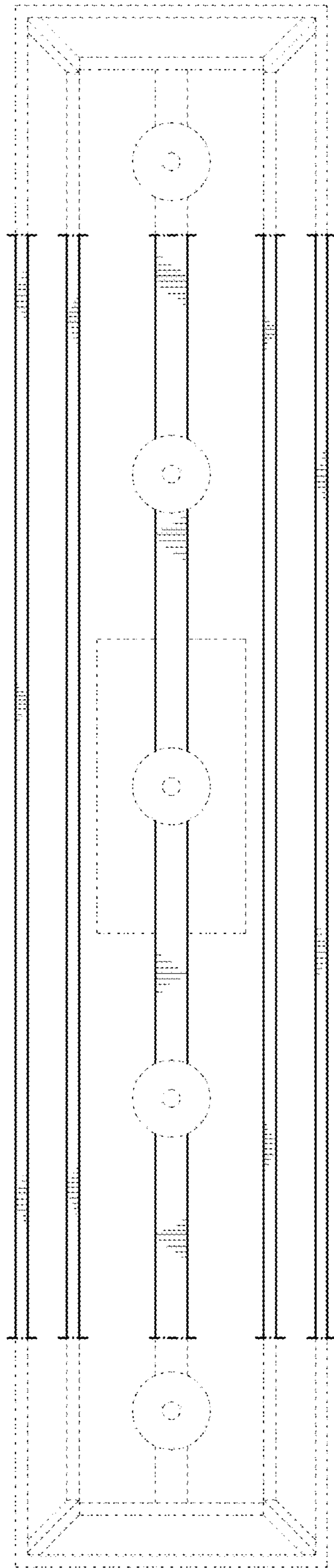


Fig. 8