



US00D821021S

(12) **United States Design Patent**
Chen

(10) **Patent No.:** **US D821,021 S**

(45) **Date of Patent:** **** Jun. 19, 2018**

(54) **SECURITY LIGHT**

(71) Applicant: **Chia-Teh Chen**, Taipei (TW)

(72) Inventor: **Chia-Teh Chen**, Taipei (TW)

(**) Term: **15 Years**

(21) Appl. No.: **29/604,290**

(22) Filed: **May 16, 2017**

(51) **LOC (11) Cl.** **26-99**

(52) **U.S. Cl.**
USPC **D26/120**

(58) **Field of Classification Search**
USPC D26/24, 51, 61, 63, 65, 72, 80, 118, 120,
D26/128; D16/203
CPC F21S 8/04; F21S 8/00; F21V 21/00; F21V
17/02; F21V 14/02; F21V 21/30; F21V
21/14; F21V 21/26; F21W 2131/10;
G03B 13/196; H04N 5/2251; H04N
5/2253; H04N 5/2254

See application file for complete search history.

(56) **References Cited**

U.S. PATENT DOCUMENTS

D670,022 S	*	10/2012	Green	D26/128
D670,023 S	*	10/2012	Green	D26/128
D708,388 S	*	7/2014	Lee	D26/120
D720,093 S	*	12/2014	Lee	D26/120
D759,291 S	*	6/2016	Chen	D26/120

D761,474 S	*	7/2016	Chen	D26/65
D764,700 S	*	8/2016	Chen	D26/118
D781,481 S	*	3/2017	Chen	D26/65
D788,967 S	*	6/2017	Chen	D26/65
D799,104 S	*	10/2017	Chen	D26/120
D804,075 S	*	11/2017	Fang	D26/65

* cited by examiner

Primary Examiner — Brian N. Vinson
(74) *Attorney, Agent, or Firm* — Li & Cai Intellectual
Property (USA) Office

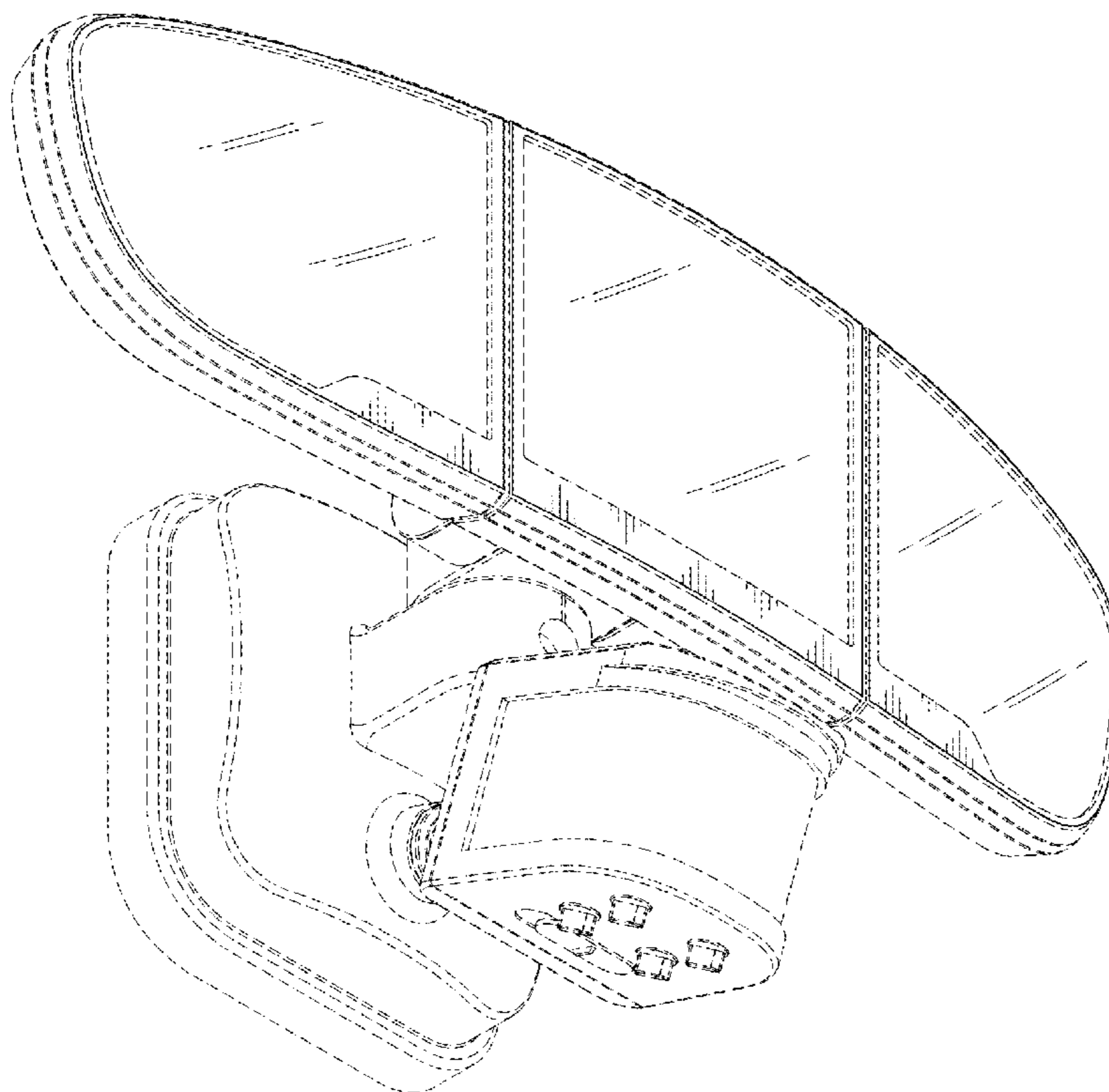
(57) **CLAIM**

The ornamental design for a “security light,” as shown and described.

DESCRIPTION

FIG. 1 is a front and bottom perspective view of a security light showing our new design;
FIG. 2 is a front elevation view thereof;
FIG. 3 is a rear elevation view thereof;
FIG. 4 is a left side elevation view thereof;
FIG. 5 is a right side elevation view thereof;
FIG. 6 is a top plan view thereof;
FIG. 7 is a bottom plan view thereof;
FIG. 8 is a rear and top perspective view thereof; and,
FIG. 9 is a top view showing the practical usage thereof, wherein the light is adjusted to a different spreading angle. The broken lines disclosure represents the unclaimed boundary between claimed and unclaimed portions of the design or portions of the work light which form no part of the claimed design.

1 Claim, 6 Drawing Sheets



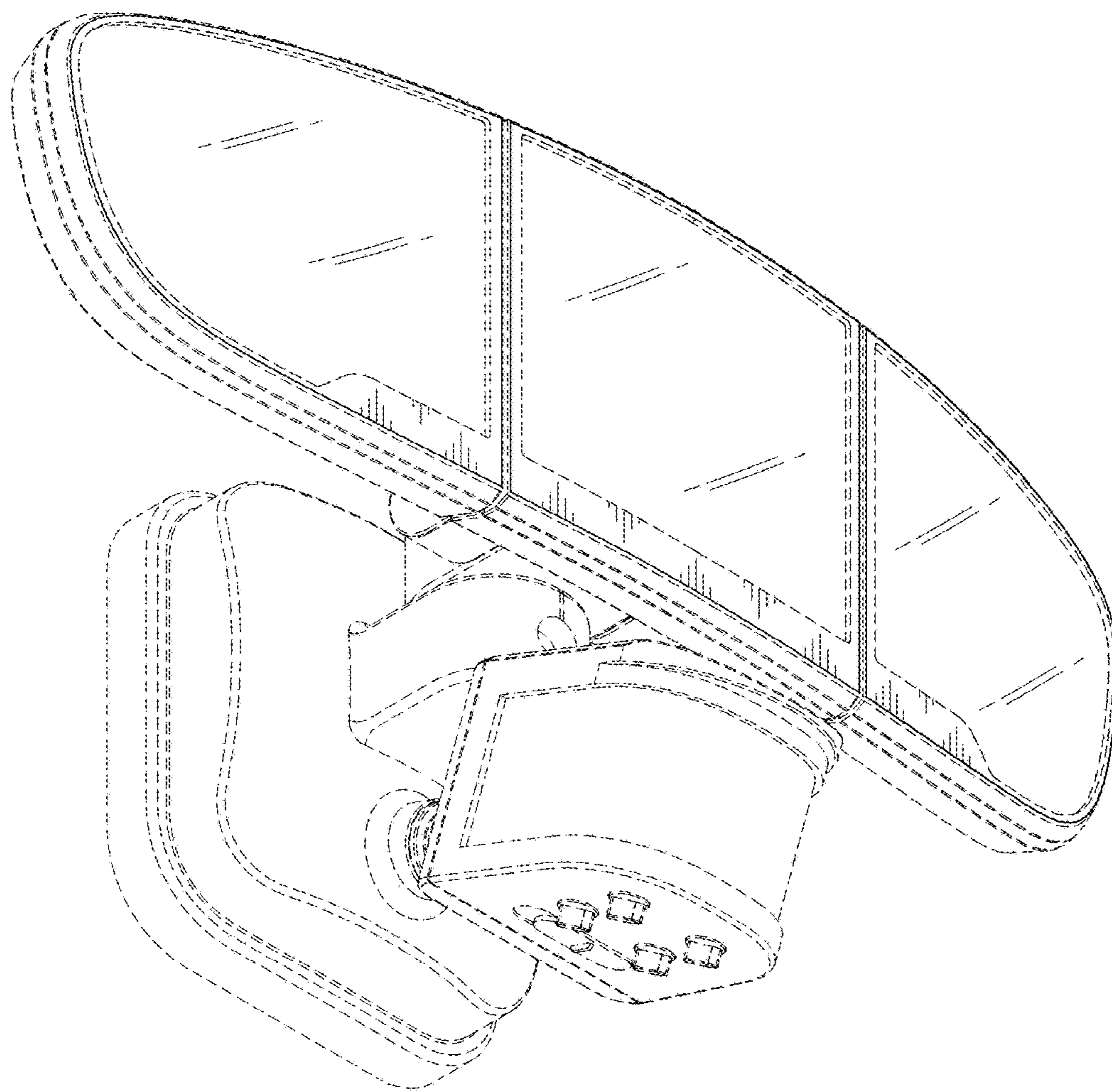


FIG. 1

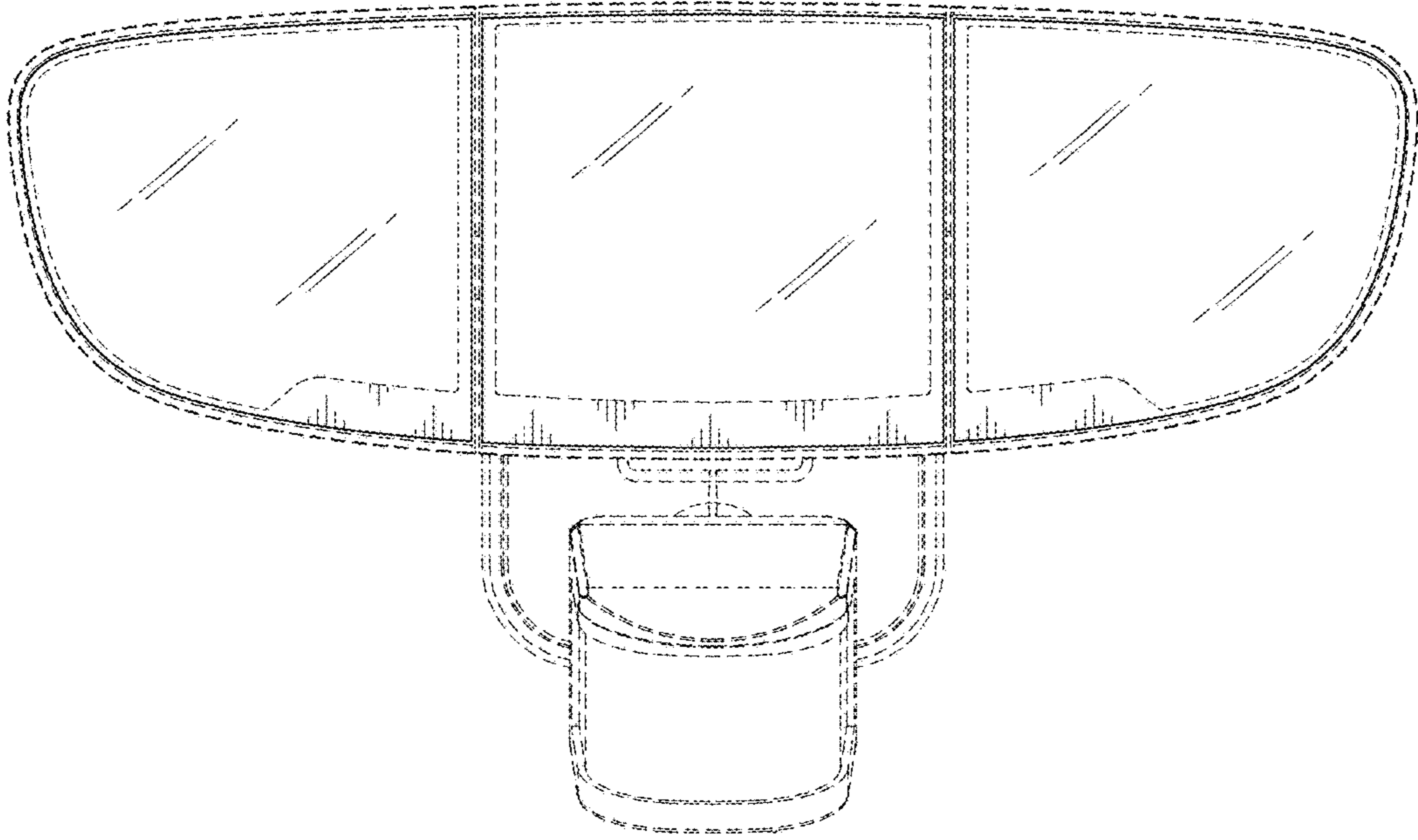


FIG. 2

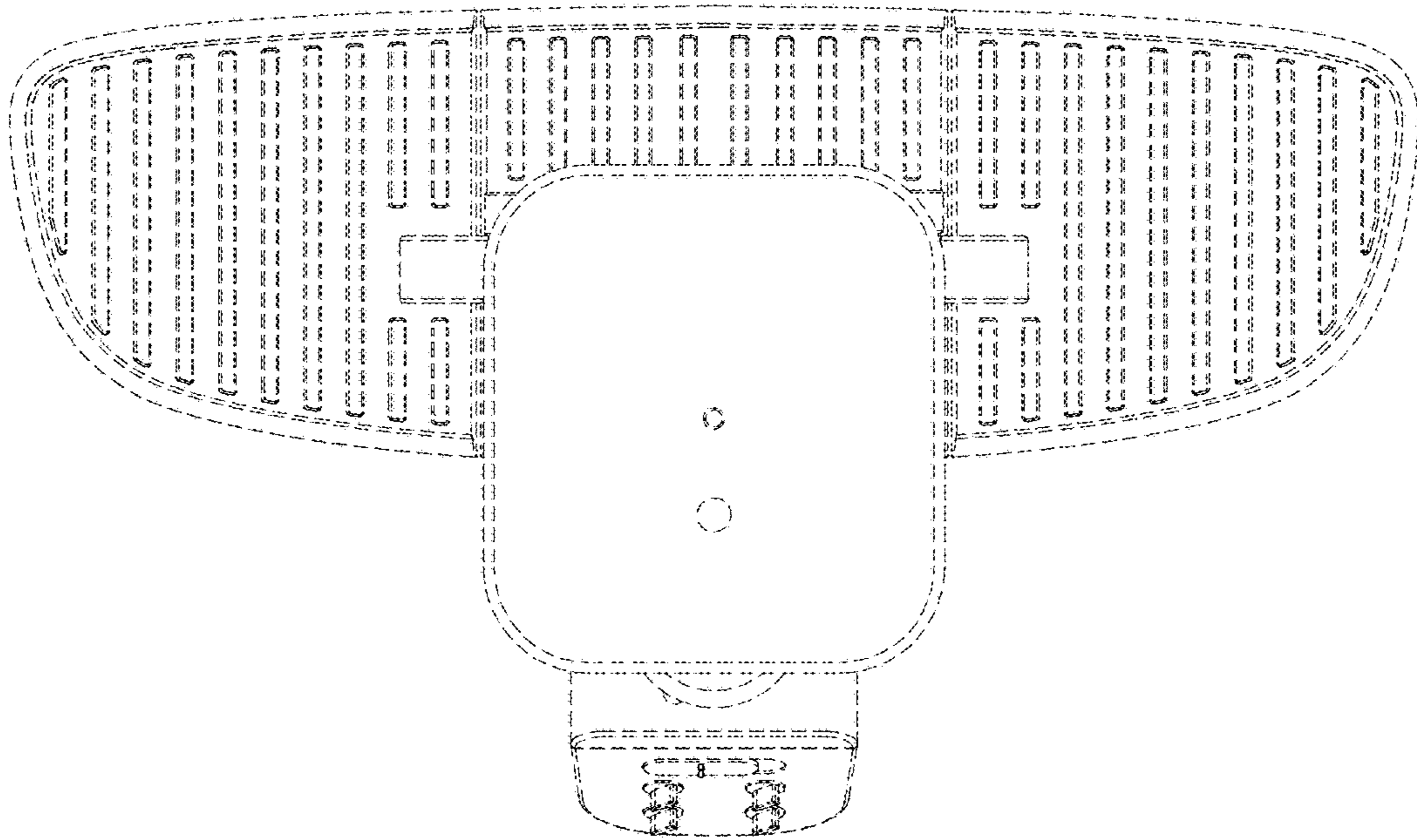


FIG. 3

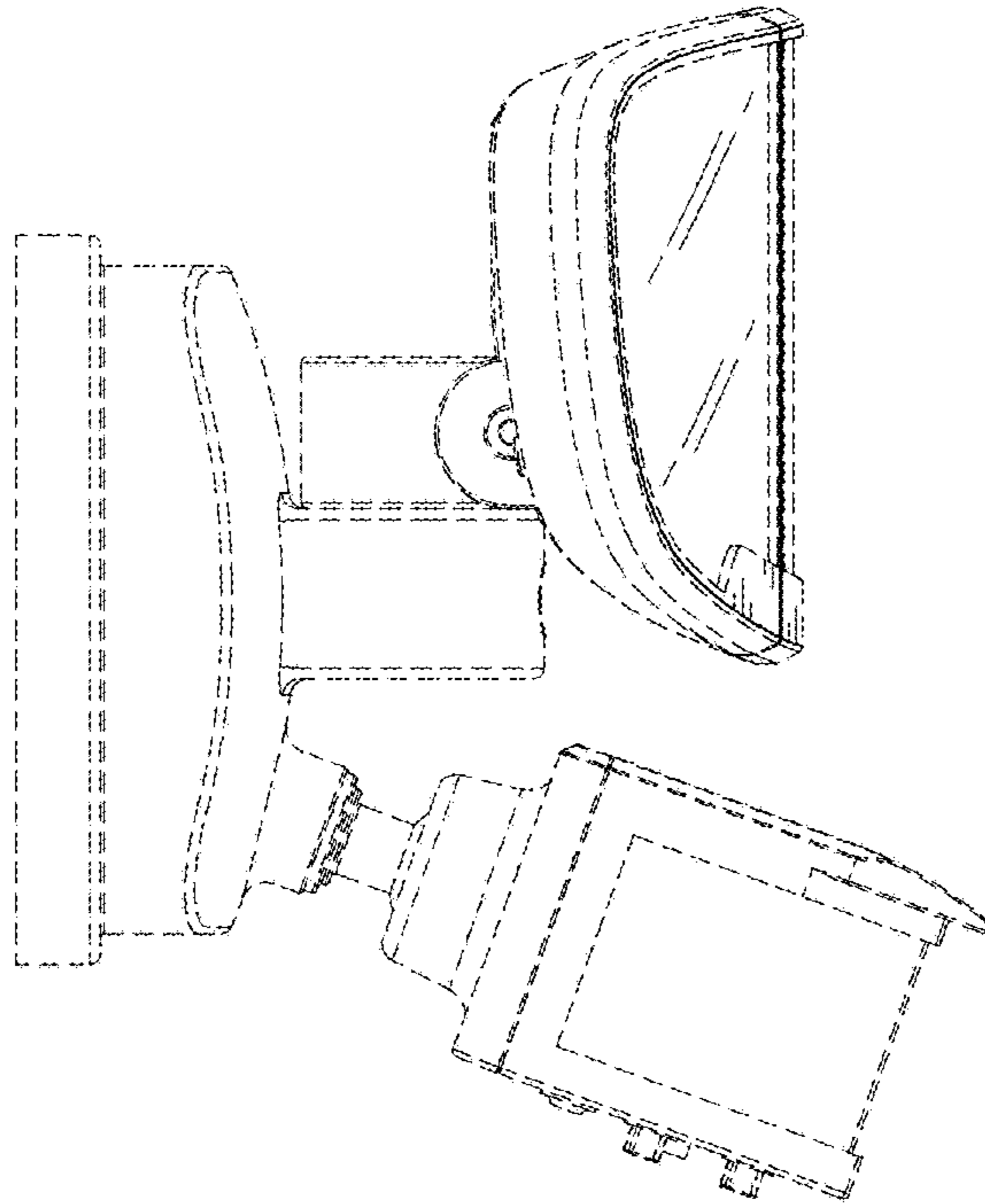


FIG. 4

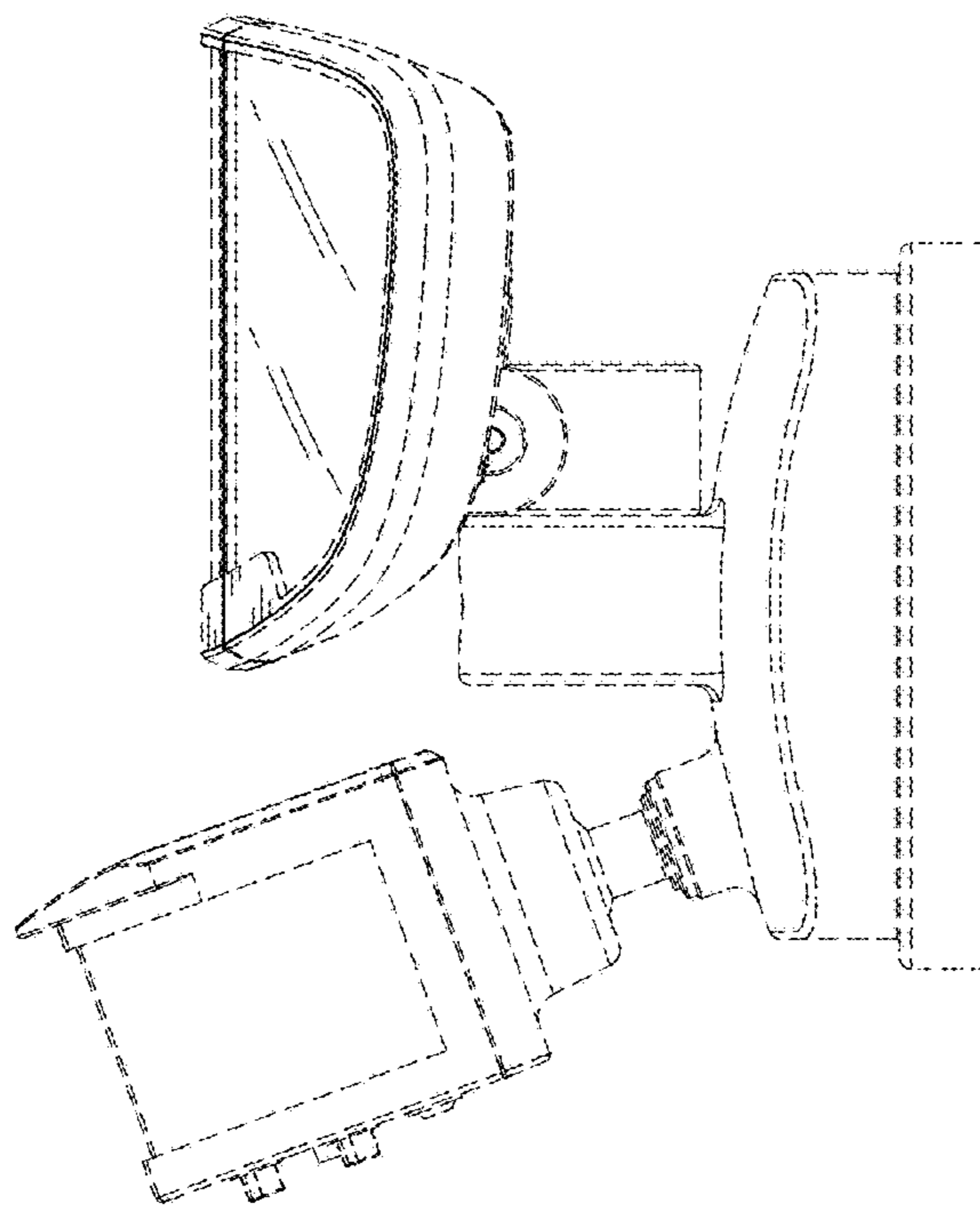


FIG. 5

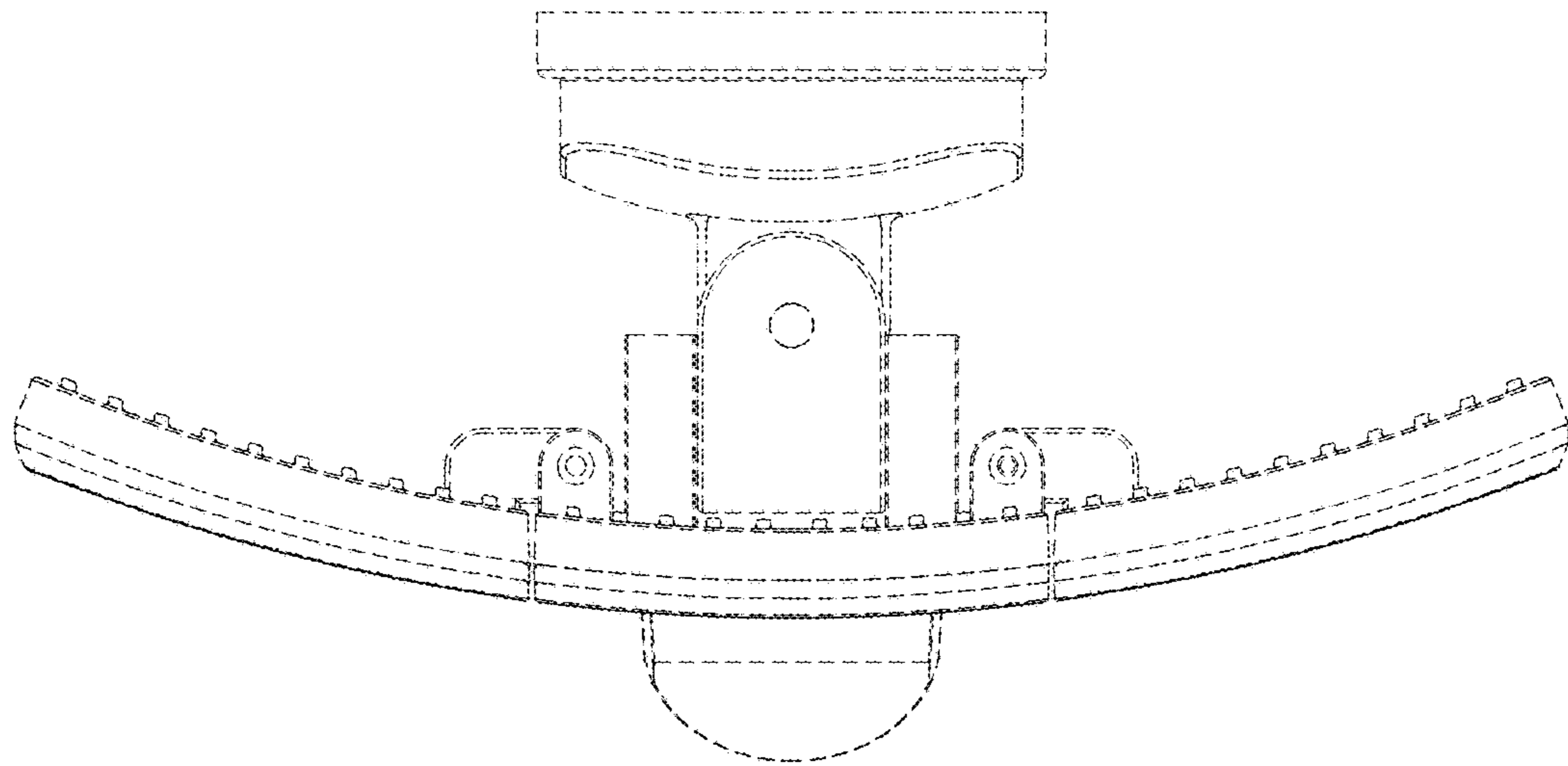


FIG. 6

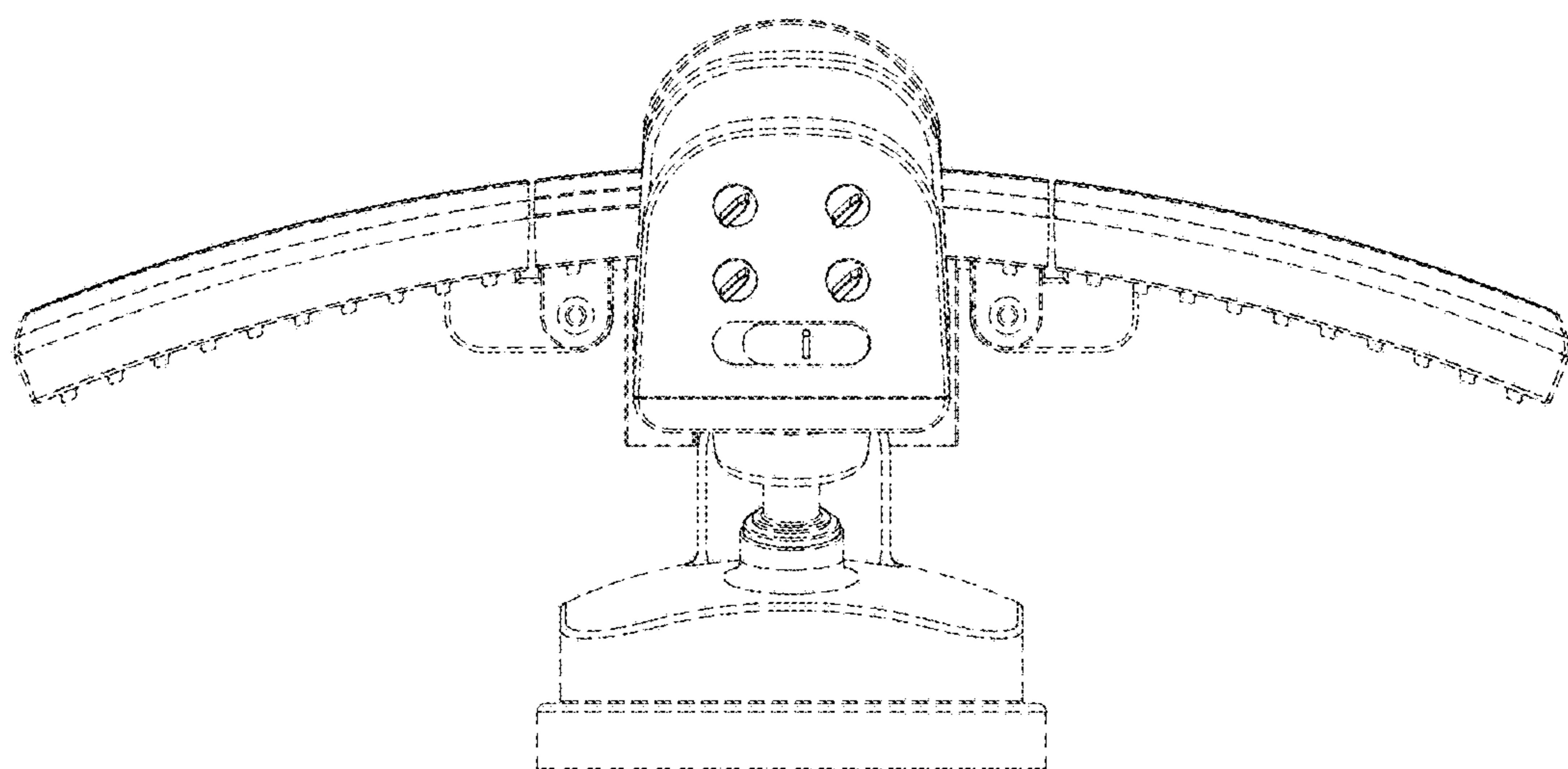


FIG. 7

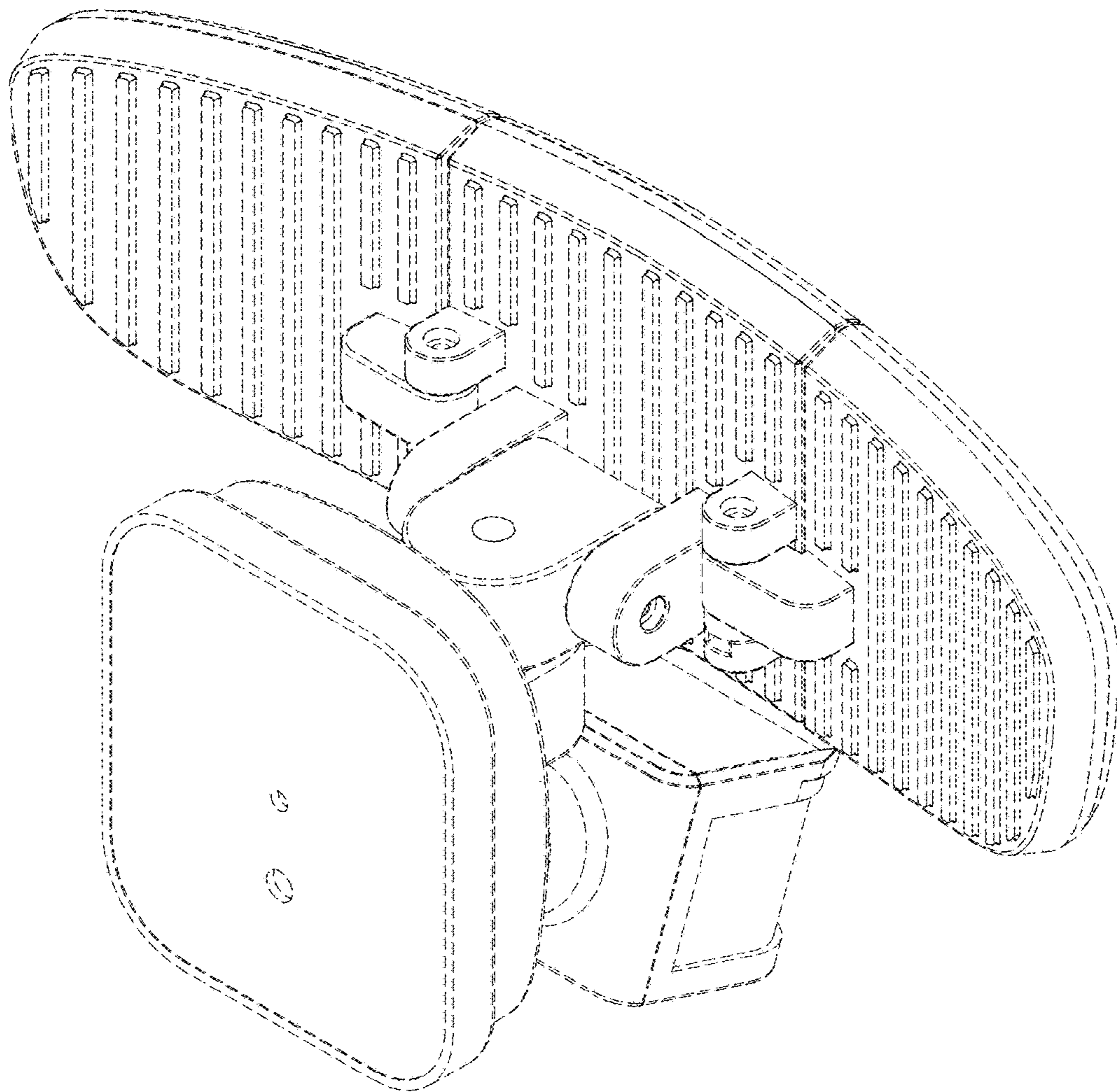


FIG. 8

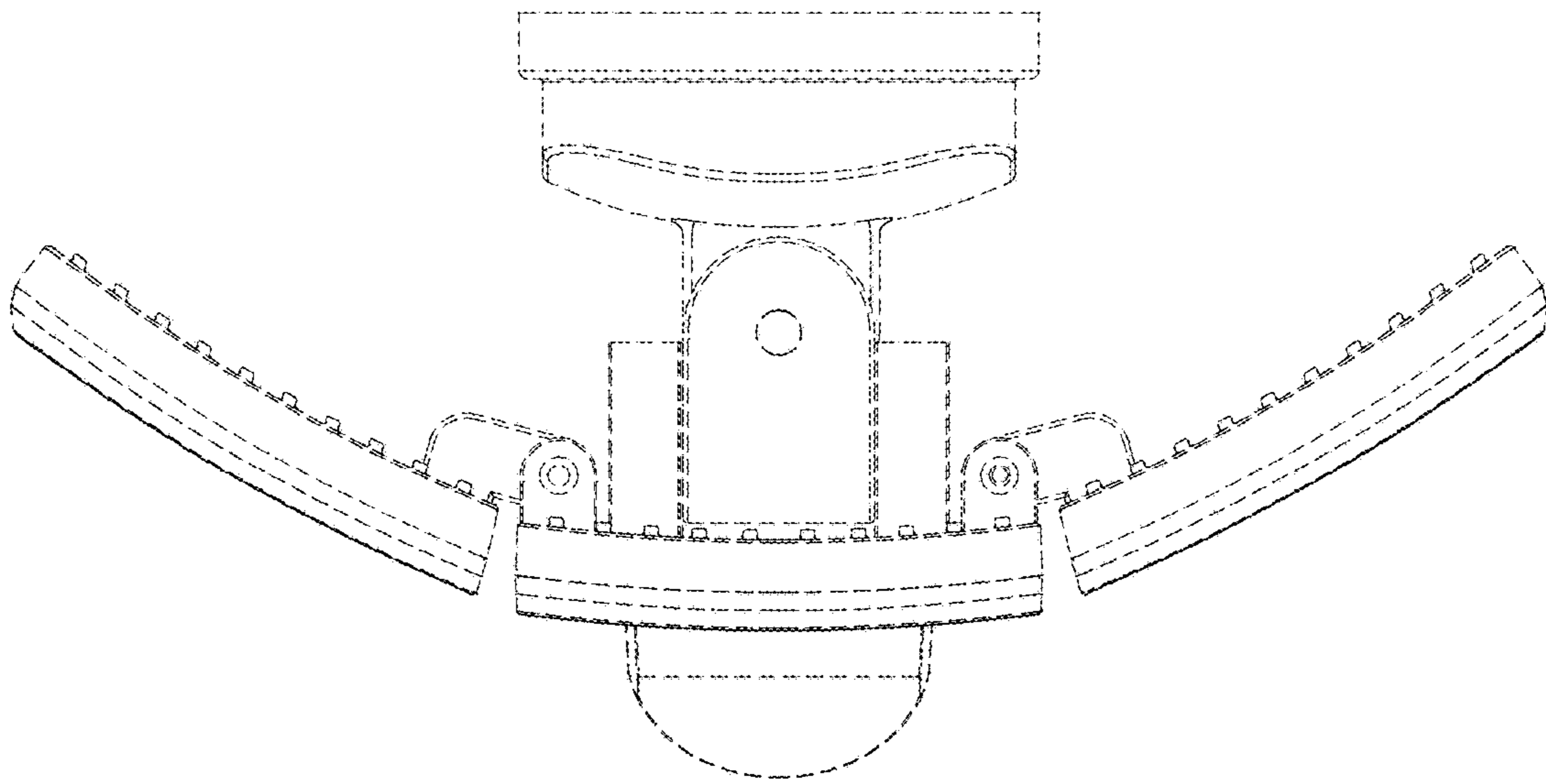


FIG. 9