



US00D821020S

(12) **United States Design Patent**  
**Gambrel et al.**

(10) **Patent No.:** **US D821,020 S**  
(45) **Date of Patent:** **\*\* Jun. 19, 2018**

(54) **LIGHTING FIXTURE**

(71) Applicant: **The Urban Electric Company**, North Charleston, SC (US)

(72) Inventors: **Steven Gambrel**, New York, NY (US); **Michael Amato**, Johns Island, SC (US); **David Dawson**, Charleston, SC (US); **Jonathan Charpia**, Summerville, SC (US); **Christopher Roof**, Charleston, SC (US); **Joeangel Casanova**, North Charleston, SC (US); **Courteney Salsbury**, Mount Pleasant, SC (US); **Brianna Magagnoli**, North Charleston, SC (US)

(73) Assignee: **The Urban Electric Company**, North Charleston, SC (US)

(\*\*) Term: **15 Years**

(21) Appl. No.: **29/601,370**

(22) Filed: **Apr. 21, 2017**

(51) **LOC (11) Cl.** ..... **26-03**

(52) **U.S. Cl.**  
USPC ..... **D26/112**

(58) **Field of Classification Search**  
USPC ..... D26/1, 23, 24, 60-67, 93-95, 101, D26/104-110, 112, 113, 118, 120, 144, D26/154, 128, 142  
CPC .. F21S 6/002; F21S 6/003; F21S 6/004; F21S 6/005; F21S 6/006; F21S 6/008; F21V 21/02; F21V 21/08; F21W 2131/30  
See application file for complete search history.

(56) **References Cited**

U.S. PATENT DOCUMENTS

D517,237 S *	3/2006	Morrow	.....	D26/110
D530,034 S *	10/2006	Hon	.....	D26/67
D605,812 S *	12/2009	Lesjak	.....	D26/104
D629,949 S *	12/2010	Ho	.....	D26/67
D698,062 S *	1/2014	Burke	.....	D26/67
D728,841 S *	5/2015	Kuhnke	.....	D26/67
D772,463 S *	11/2016	Stern	.....	D26/67
D803,465 S *	11/2017	Livesay	.....	D26/104

\* cited by examiner

*Primary Examiner* — Brian N. Vinson

(74) *Attorney, Agent, or Firm* — Jeffrey T. Stover; Haynsworth Sinkler Boyd, P.A.

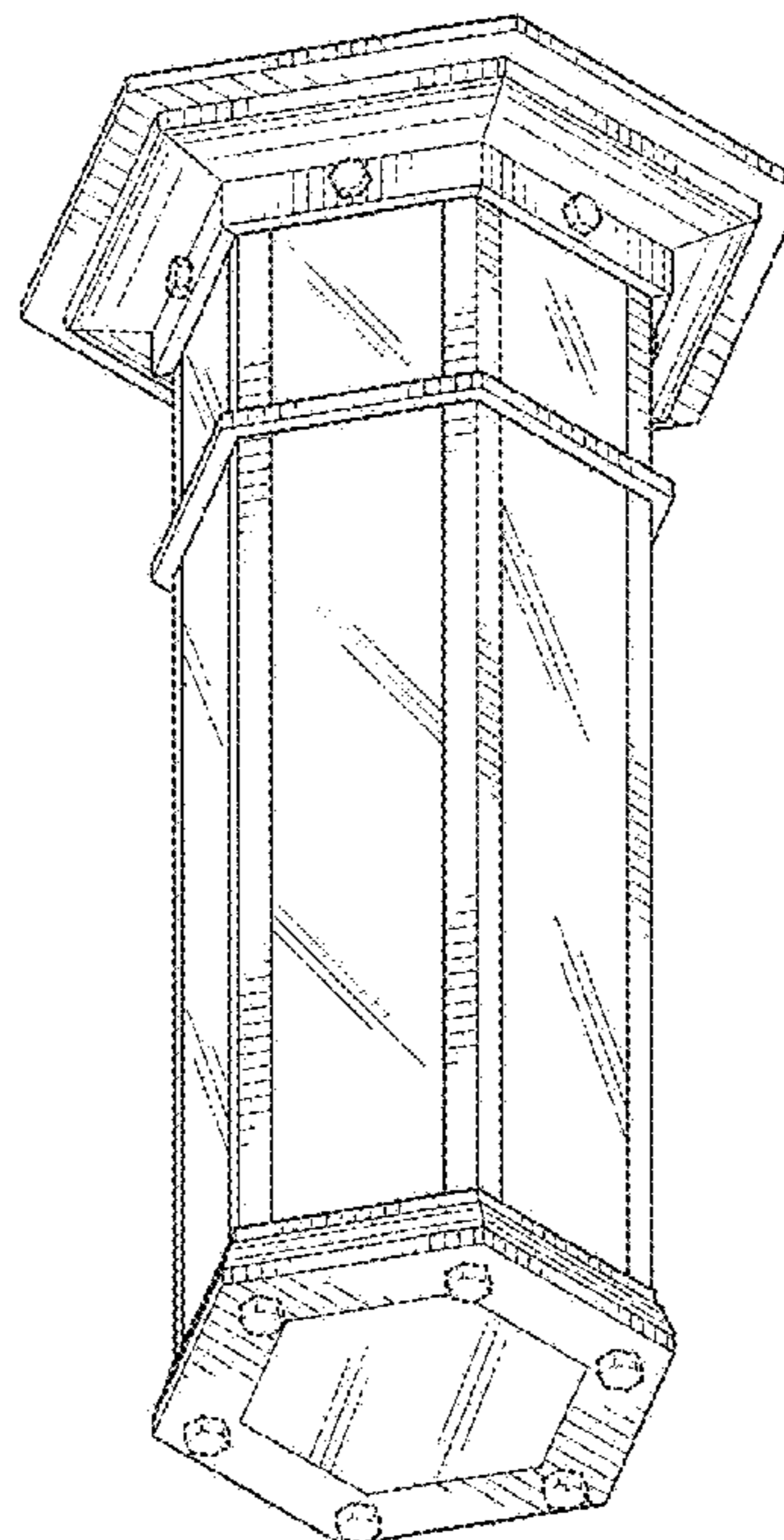
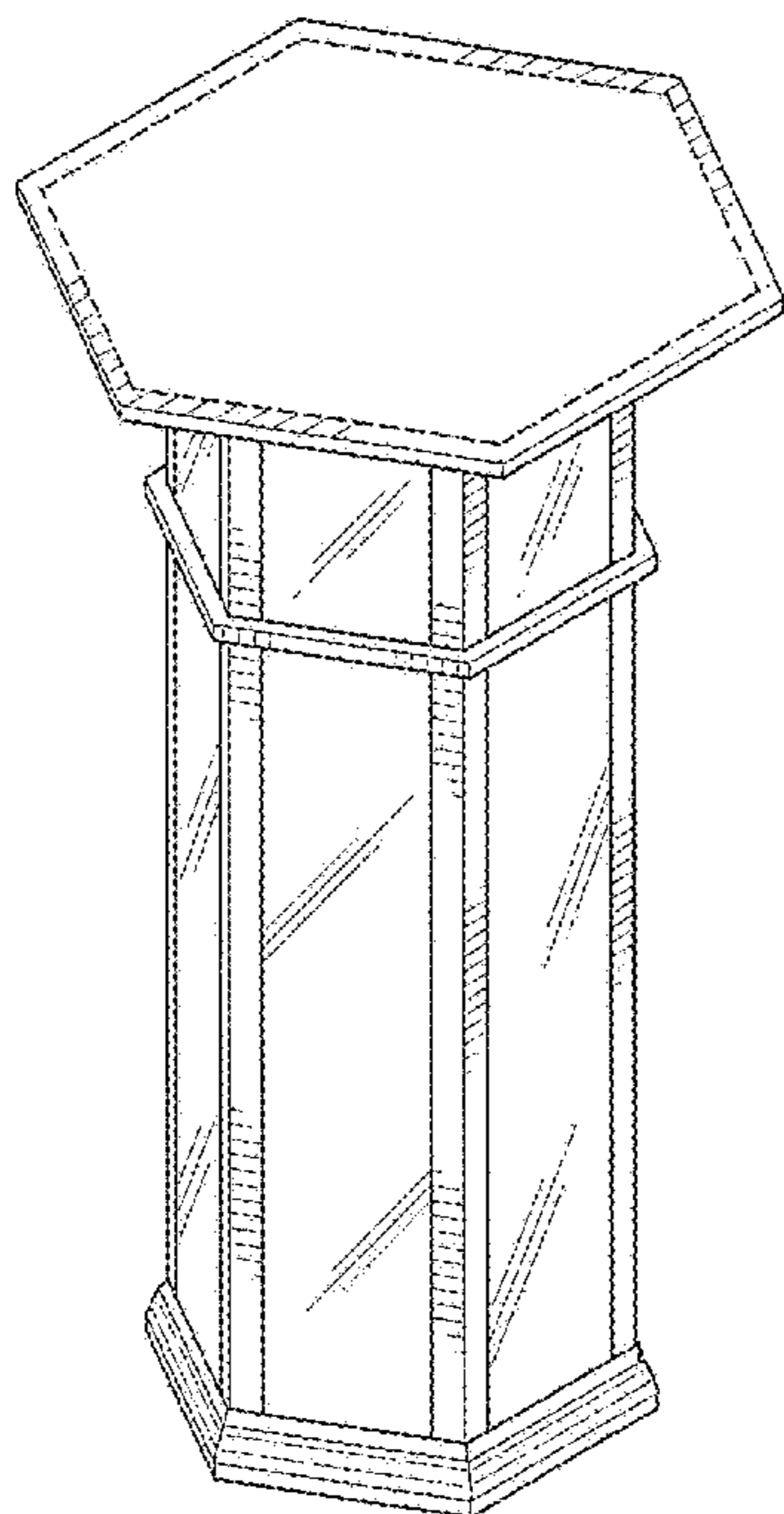
(57) **CLAIM**

The ornamental design for a lighting fixture, as shown and described.

**DESCRIPTION**

FIG. 1 is a top perspective view of a new lighting fixture; FIG. 2 is a bottom perspective view thereof; FIG. 3 is a front elevation view thereof; FIG. 4 is a back elevational view thereof; FIG. 5 is a left elevation view thereof; FIG. 6 is a right elevation view thereof; and, FIG. 7 is a bottom plan view thereof. The broken line disclosure represents portions of the fixture which forms no part of the claimed design.

**1 Claim, 7 Drawing Sheets**



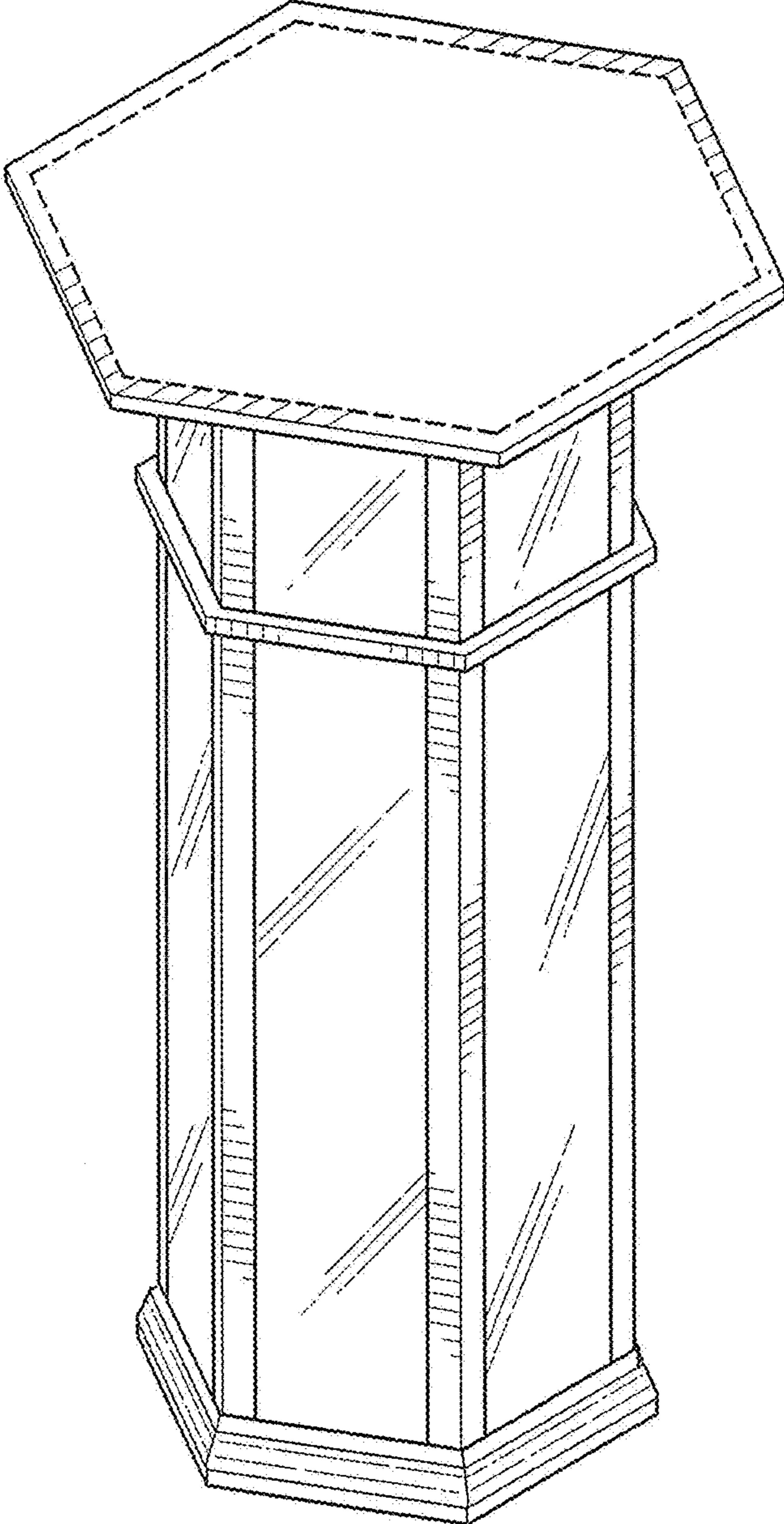


FIG. 1

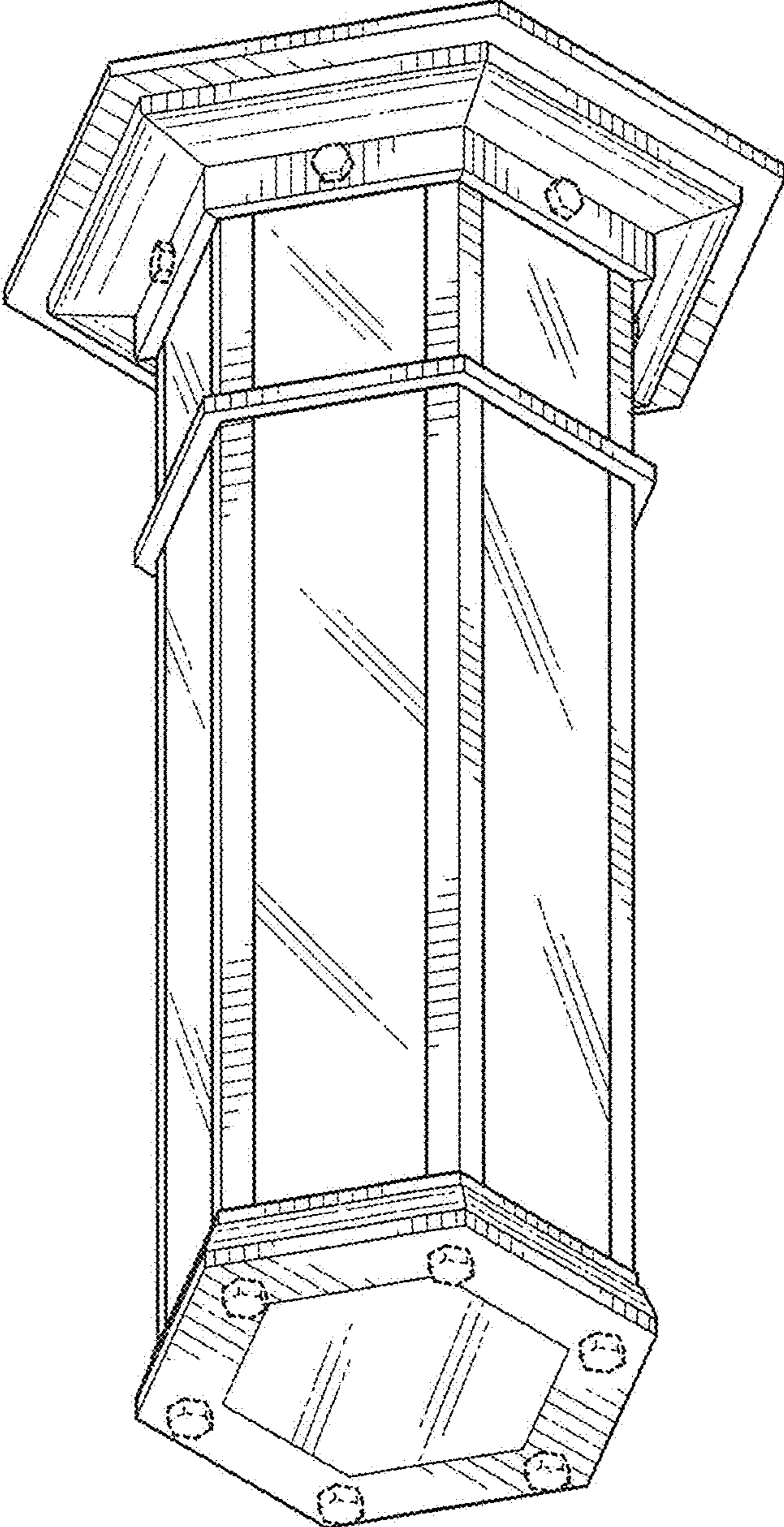


FIG. 2

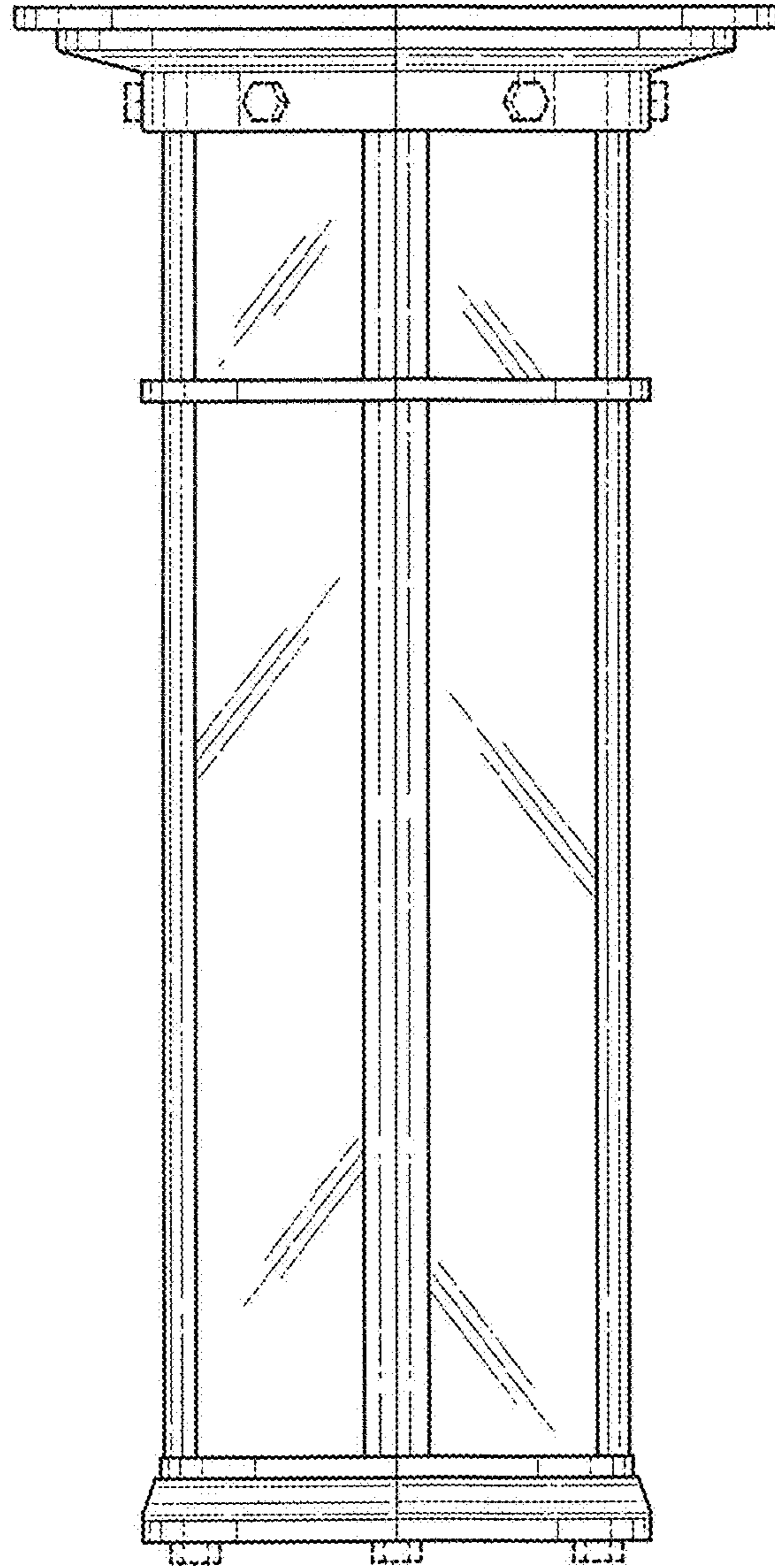


FIG. 3

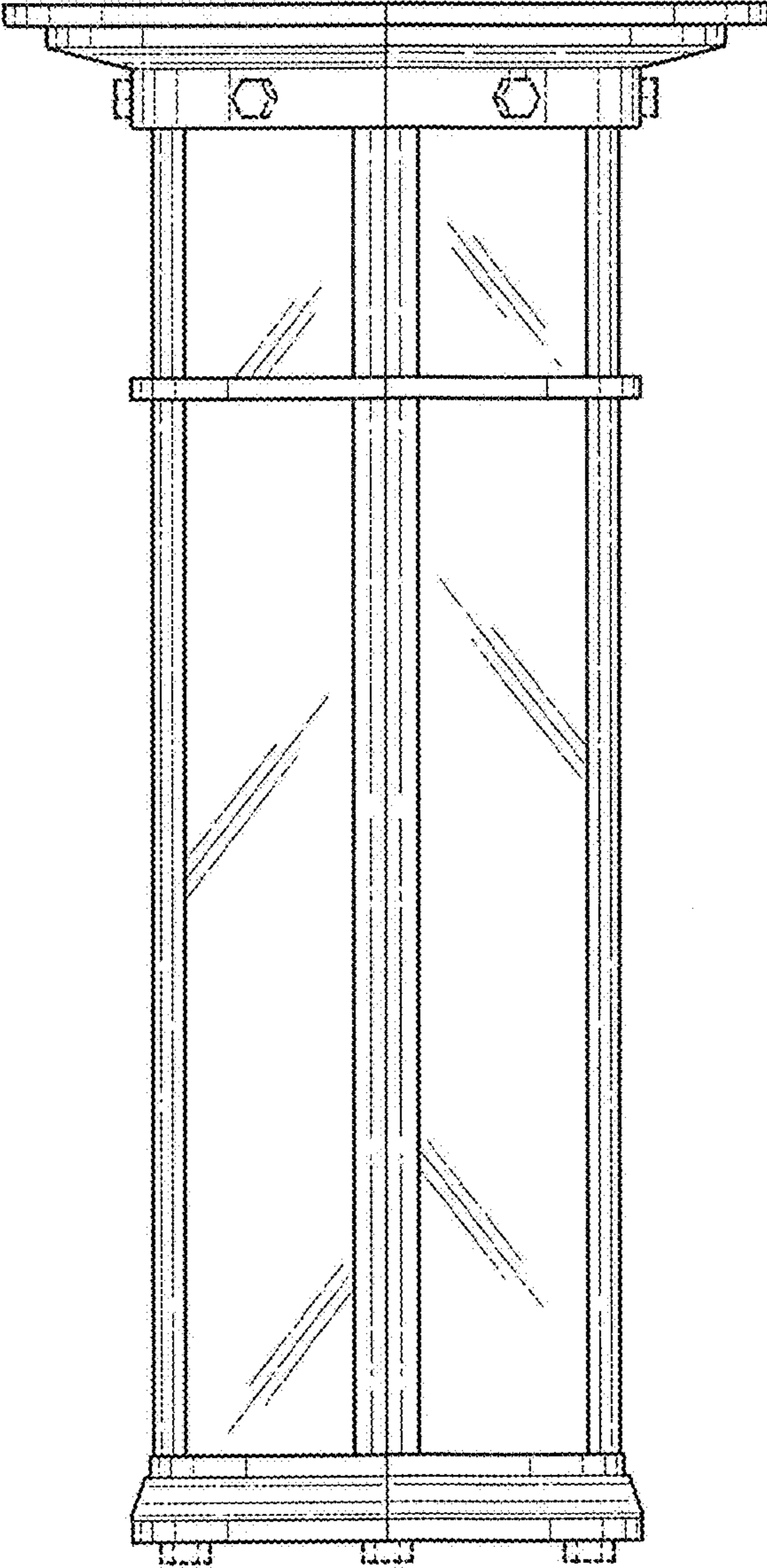


FIG. 4

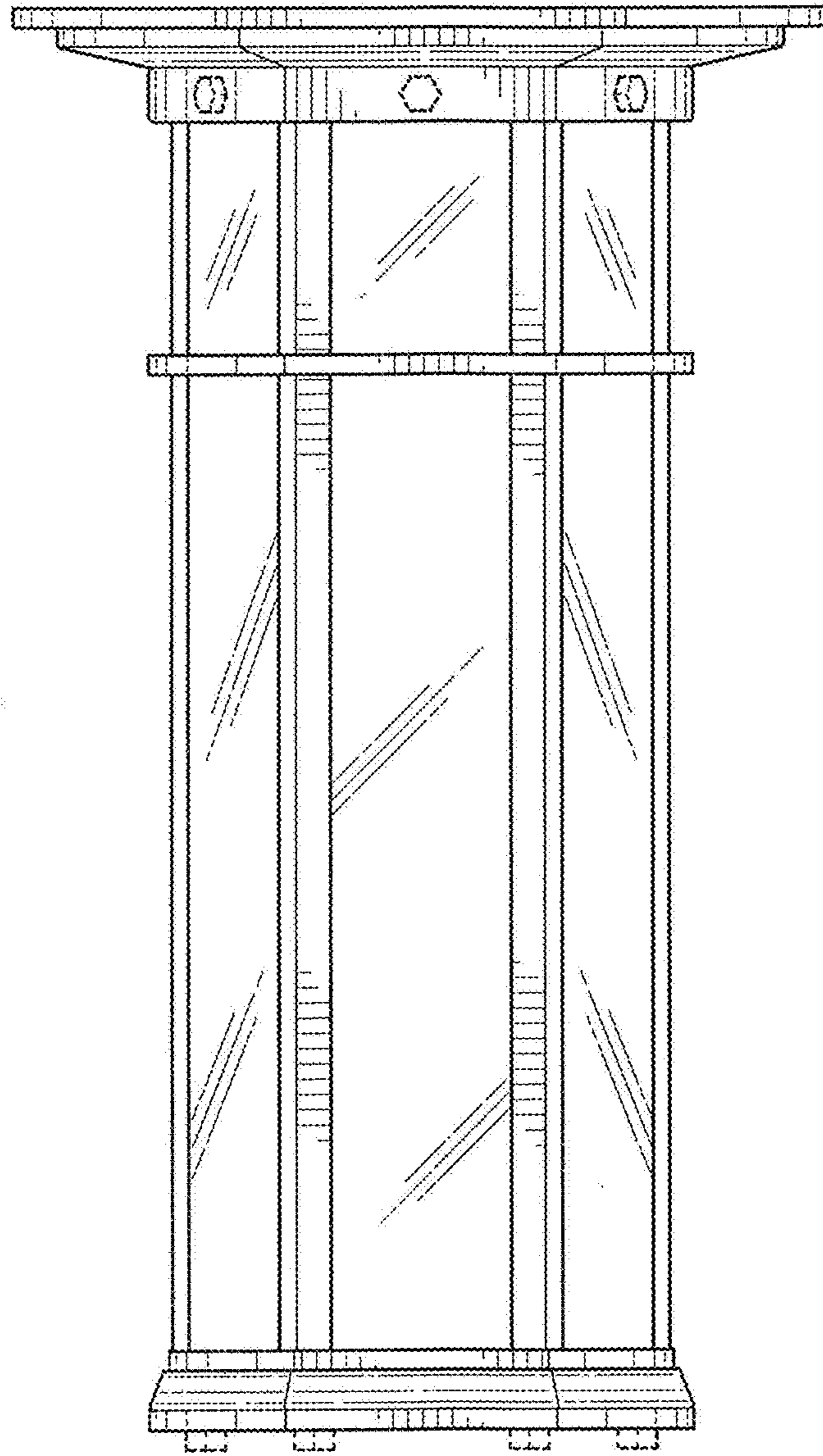


FIG. 5

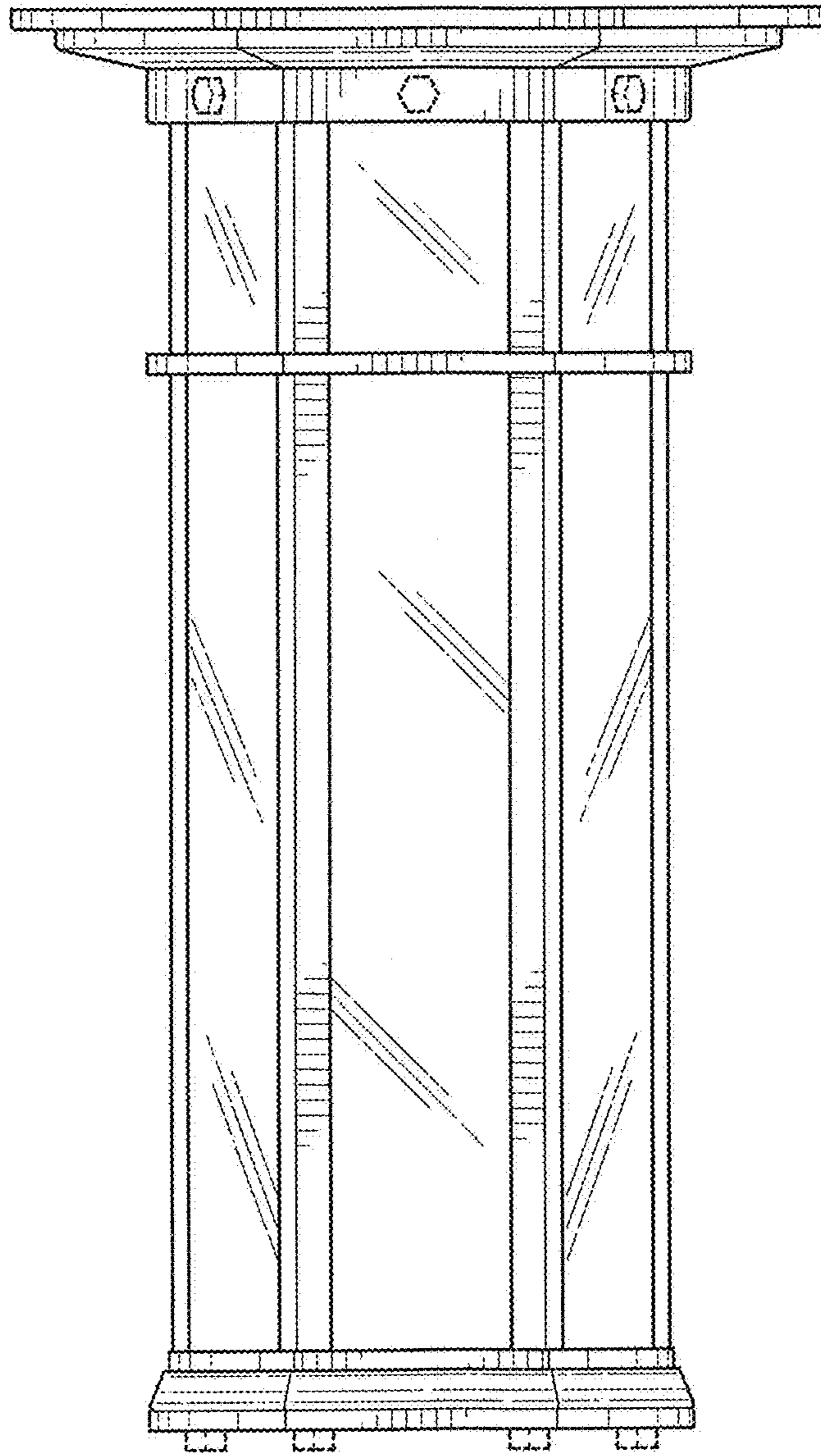


FIG. 6

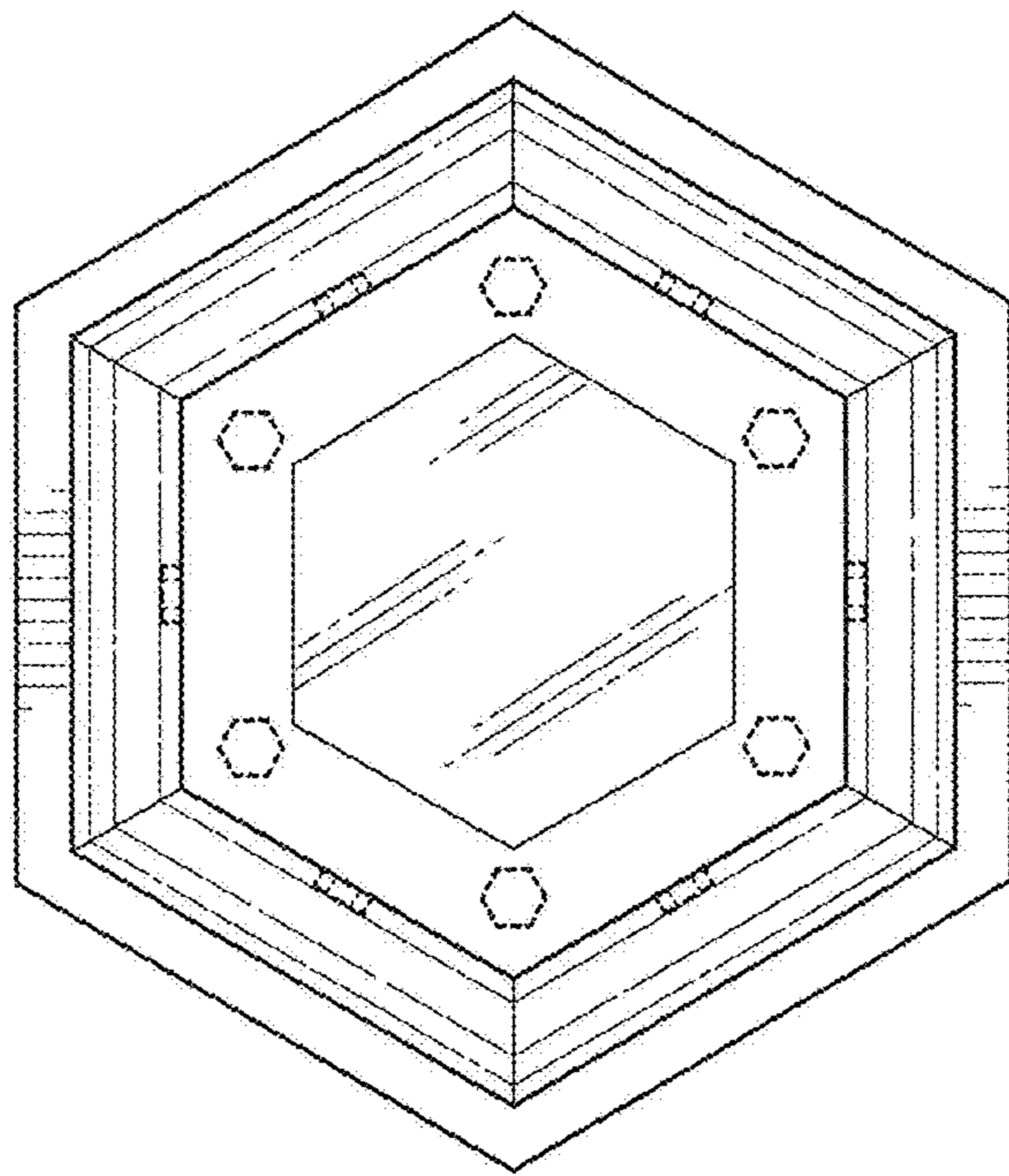


FIG. 7