



US00D821017S

(12) **United States Design Patent**
Brannon

(10) **Patent No.:** **US D821,017 S**
(45) **Date of Patent:** **** Jun. 19, 2018**

- (54) **ENCLOSED LIGHTING DEVICE**
- (71) Applicant: **Hubbell Incorporated**, Shelton, CT
(US)
- (72) Inventor: **Derek Brannon**, Greenville, SC (US)
- (73) Assignee: **Hubbell Incorporated**, Shelton, CT
(US)
- (**) Term: **15 Years**
- (21) Appl. No.: **29/587,457**
- (22) Filed: **Dec. 13, 2016**
- (51) **LOC (11) Cl.** **26-03**
- (52) **U.S. Cl.**
USPC **D26/87**
- (58) **Field of Classification Search**
USPC D26/72, 80-89, 92
CPC .. F21S 8/033; F21S 8/036; F21S 8/038; F21S
9/037; F21W 2121/004; F21W 2131/107
See application file for complete search history.

D739,586 S *	9/2015	Hong	D26/51
D767,195 S *	9/2016	Pollack, Jr.	D26/119
2012/0080992 A1 *	4/2012	Huang	F21V 29/75 313/46
2012/0195041 A1 *	8/2012	Fletcher	F21V 15/01 362/249.02

OTHER PUBLICATIONS

LED Vapor Proof Jelly Jar Light Fixture, Super Bright LEDs, site visited Jan. 9, 2018, available online at <https://www.superbrightleds.com/...ghting/led-vapor-proof-jelly-jar-light-ixture-caged-pendant-mount-light-1800-lumens/4285/#tab/Reviews> (Year: 2018).*

* cited by examiner

Primary Examiner — Cathron C Brooks
(74) *Attorney, Agent, or Firm* — Michael Best & Friedrich, LLP

(56) **References Cited**

U.S. PATENT DOCUMENTS

D92,636 S *	6/1934	Wideroe	D26/88
3,004,144 A *	10/1961	Agrell	F21V 17/14 362/267
D359,139 S *	6/1995	Kaczmarek	D26/119
D487,525 S *	3/2004	Hsu	D26/67
D538,461 S *	3/2007	Broughton	D26/129
D541,973 S *	5/2007	Dolan	D26/87
D574,992 S *	8/2008	Citterio	D26/87
D620,182 S *	7/2010	Sabernig	D26/88
7,988,327 B1 *	8/2011	Knoble	F21S 8/036 362/227
D653,795 S *	2/2012	Guercio	D26/119
D673,319 S *	12/2012	Guercio	D26/87
D729,429 S *	5/2015	Arndt	D26/131
D729,432 S *	5/2015	Newton	D26/92

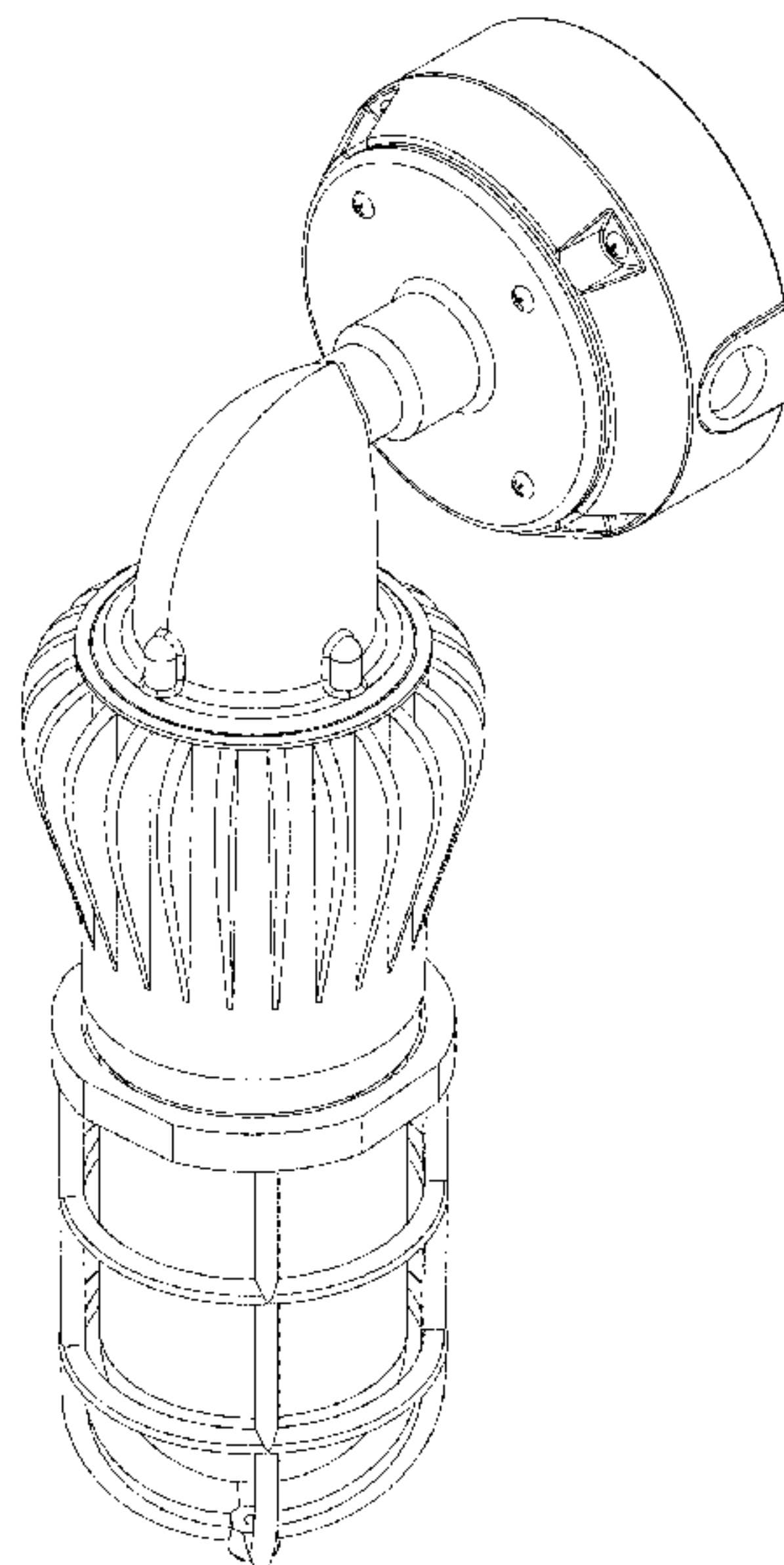
(57) **CLAIM**

The ornamental design for an enclosed lighting device, as shown and described.

DESCRIPTION

FIG. 1 is a perspective view of the design;
FIG. 2 is a front view of FIG. 1;
FIG. 3 is a rear view of FIG. 1;
FIG. 4 is a left side view of FIG. 1;
FIG. 5 is a right side view of FIG. 1;
FIG. 6 is a top view of FIG. 1; and,
FIG. 7 is a bottom view of FIG. 1.

1 Claim, 6 Drawing Sheets



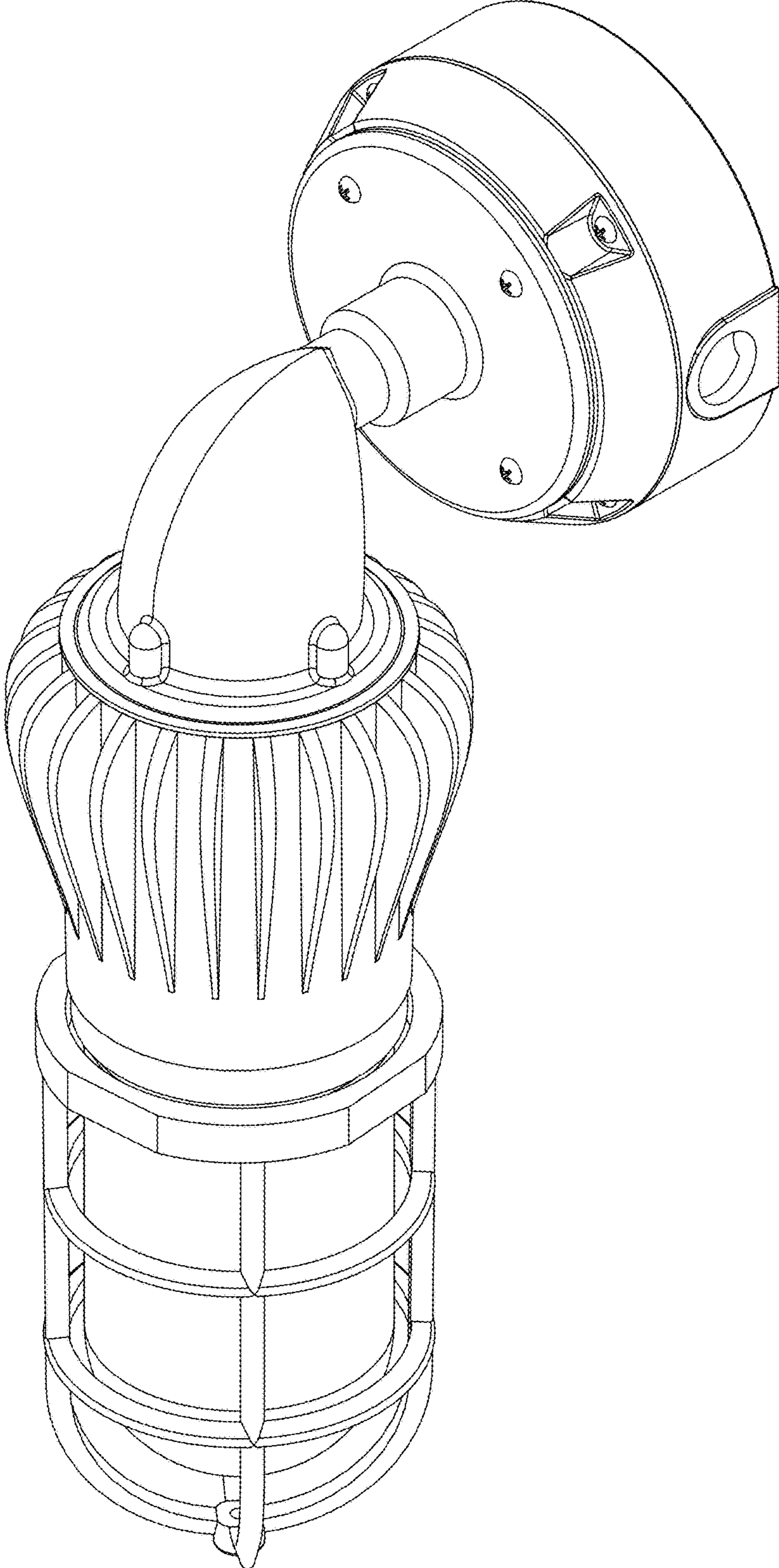


FIG. 1

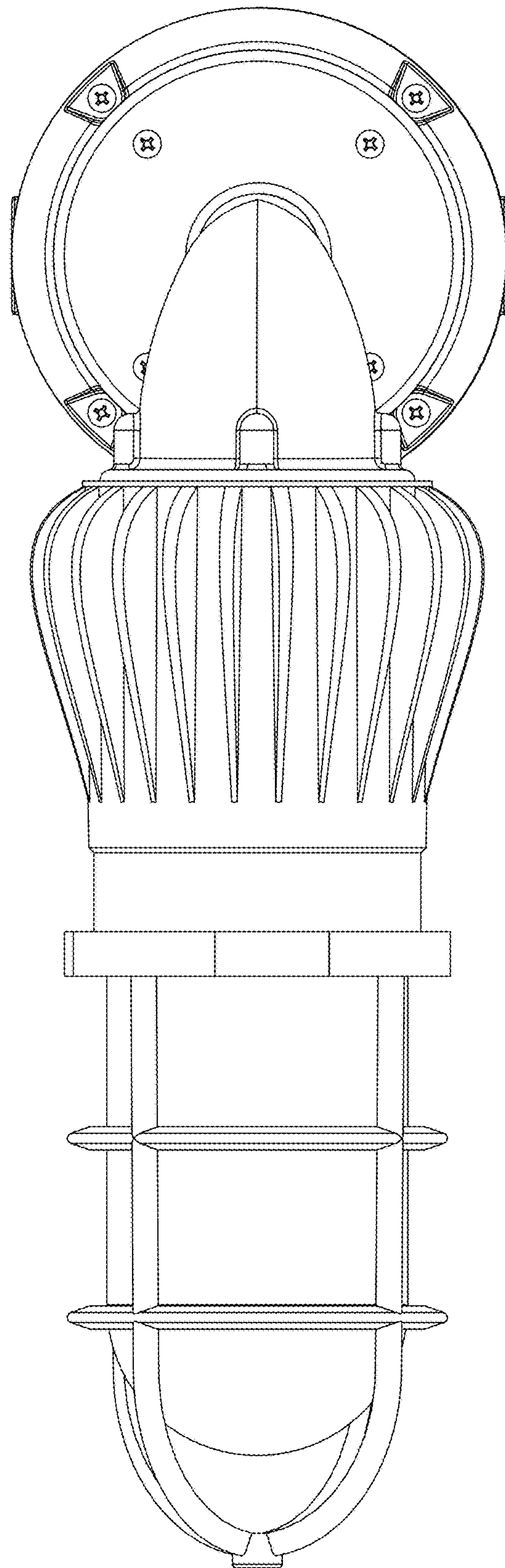


FIG. 2

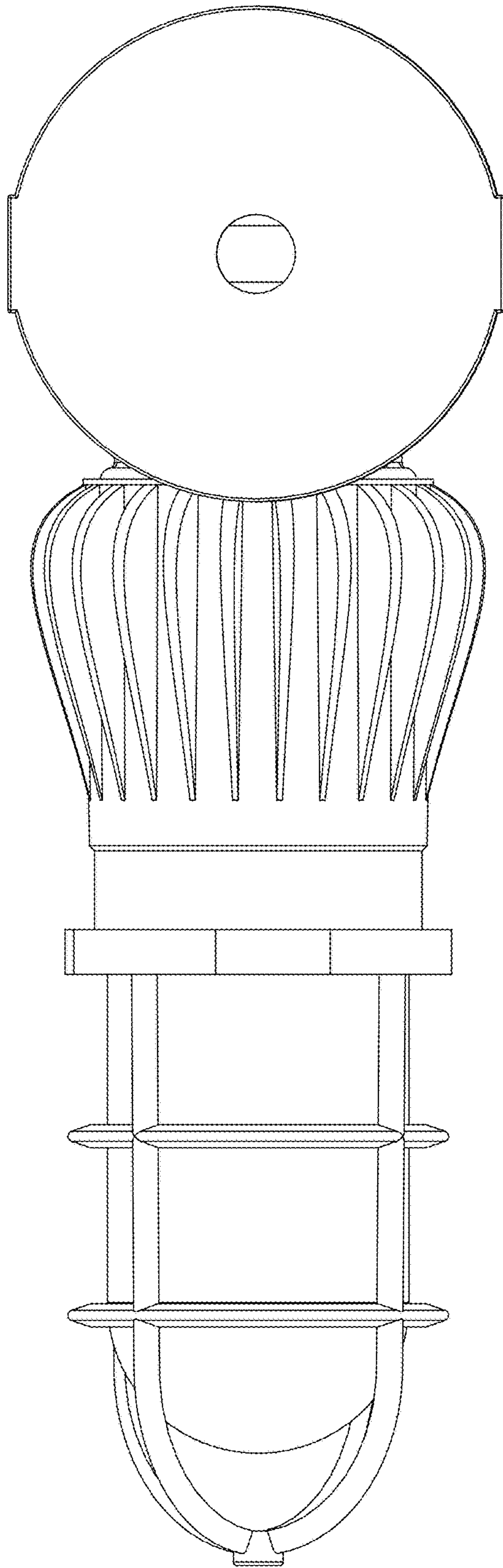


FIG. 3

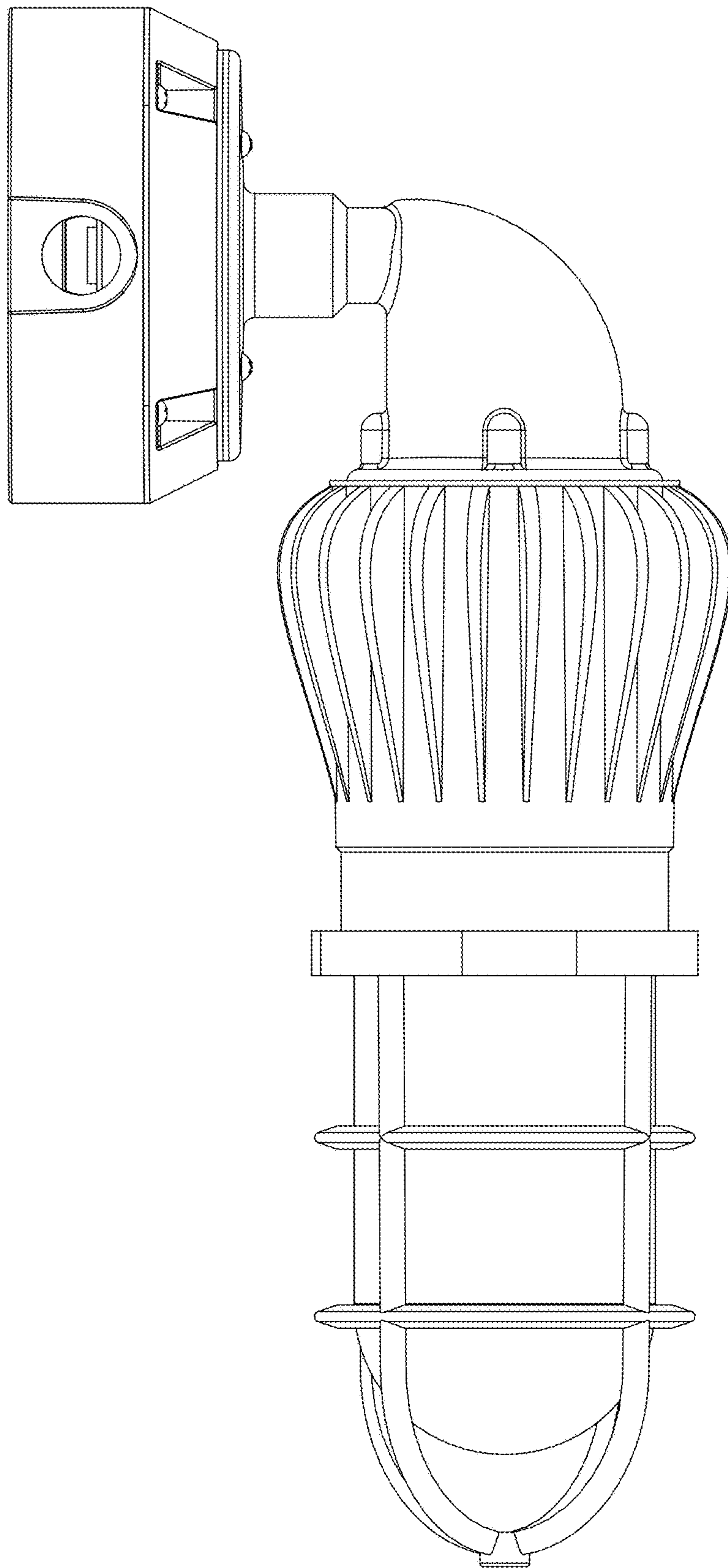


FIG. 4

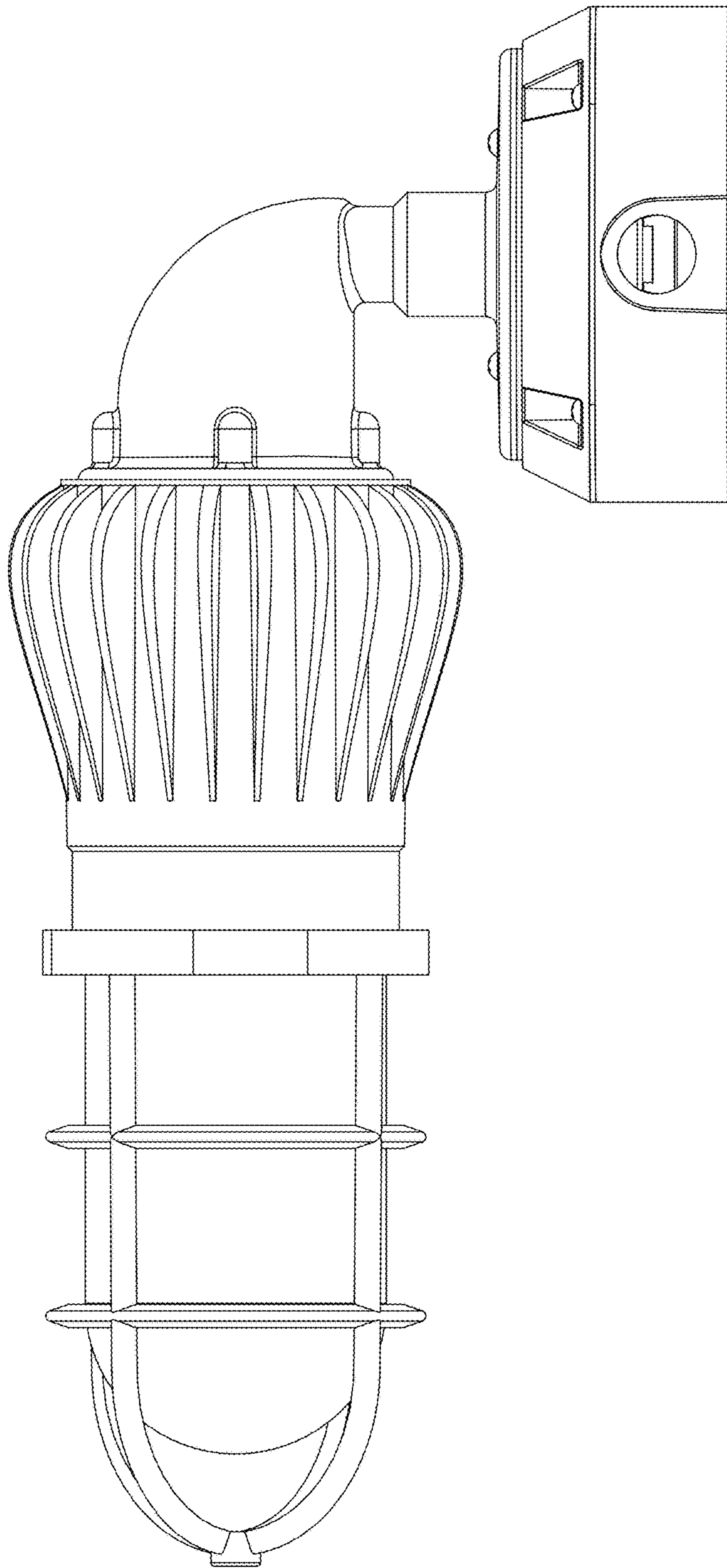


FIG. 5

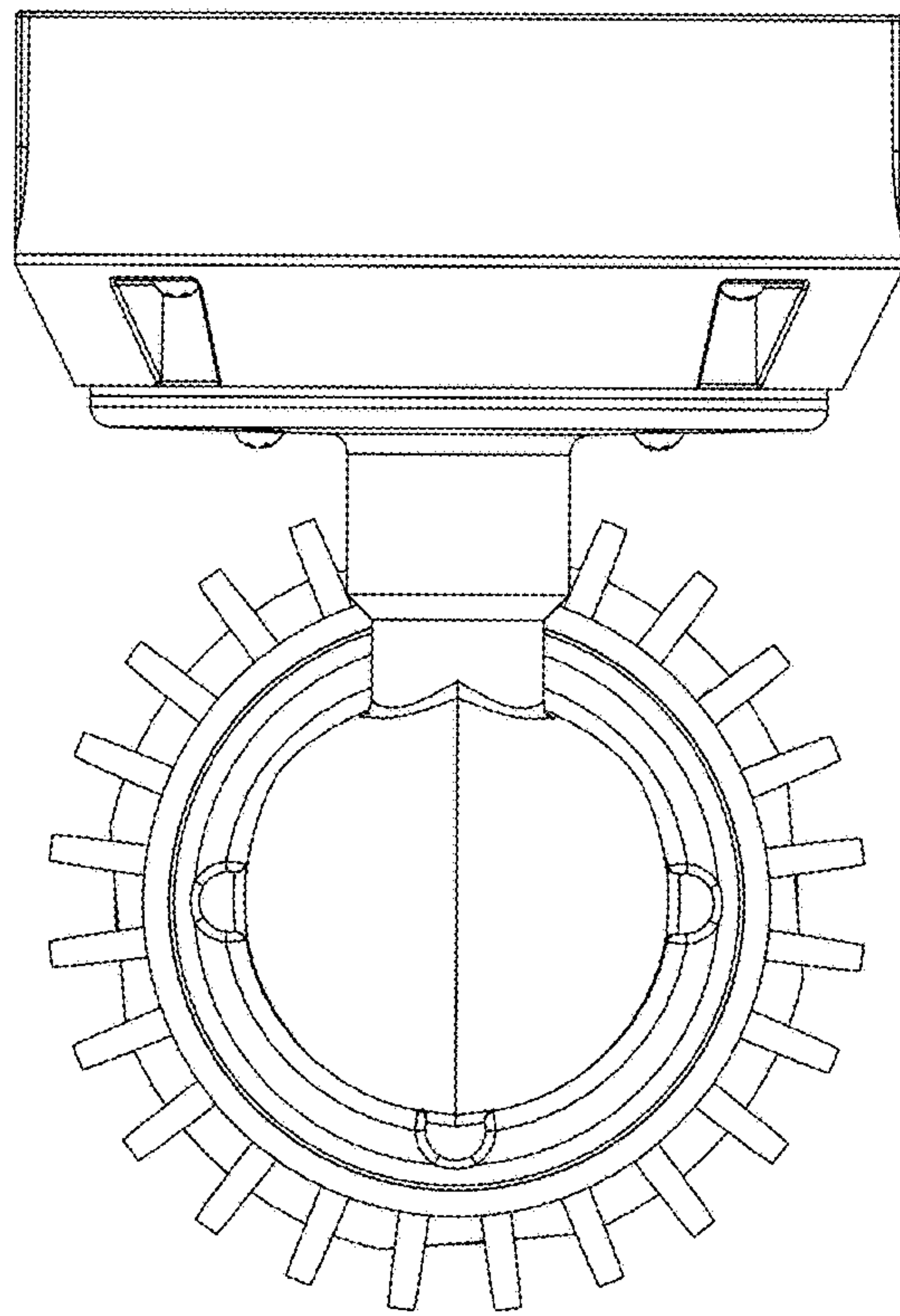


FIG. 6

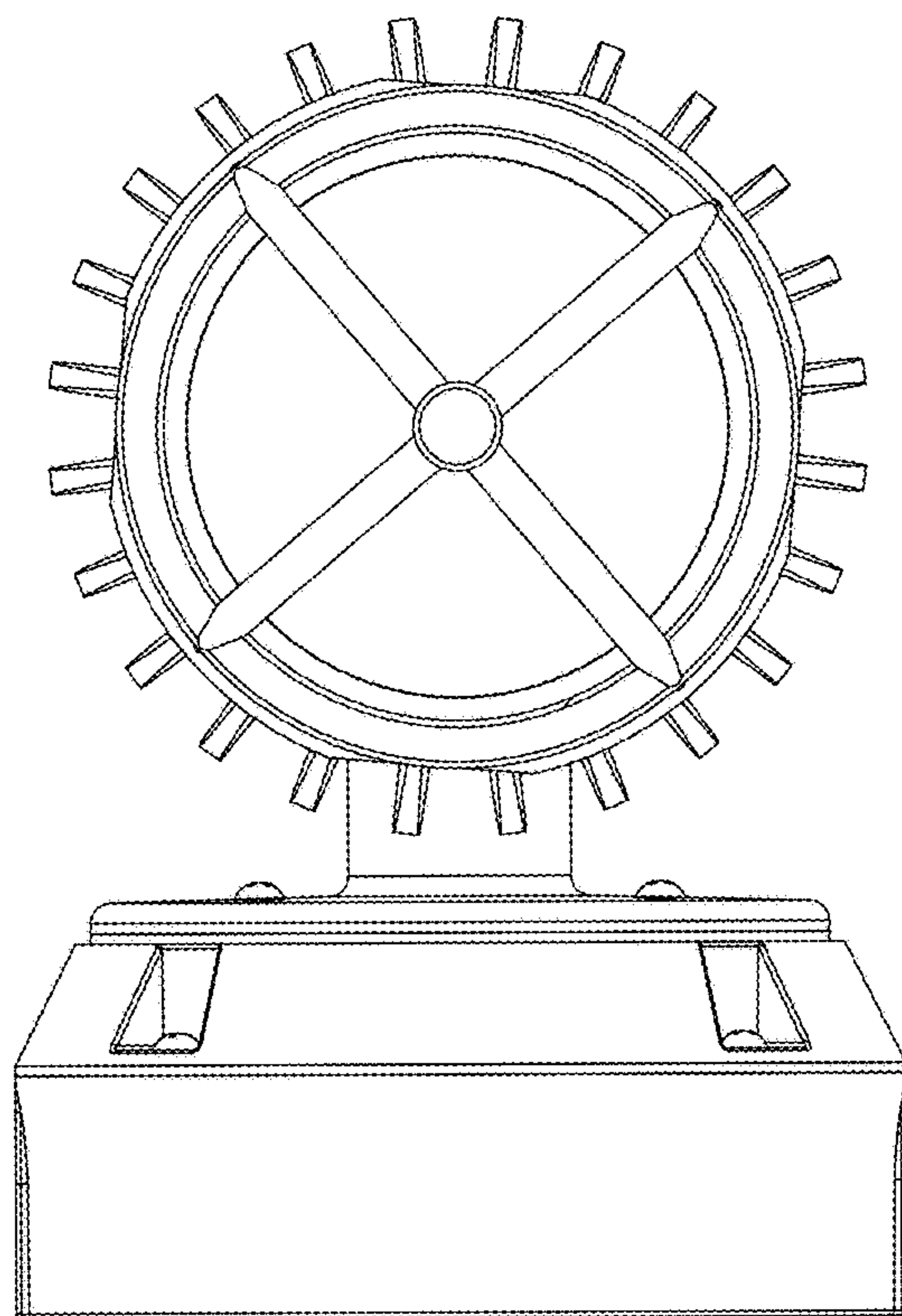


FIG. 7