



US00D821016S

(12) **United States Design Patent**
Wan et al.

(10) **Patent No.:** **US D821,016 S**
(45) **Date of Patent:** **** Jun. 19, 2018**

(54) **LED STREET LIGHT**

(71) Applicants: **UNILUMIN GROUP CO., LTD.**,
Shenzhen, Guangdong (CN);
GUANGDONG UNILUMIN
ENERGY SAVING TECHNOLOGY
CO., LTD, Huizhou, Guangdong (CN)

(72) Inventors: **Changwei Wan**, Guangdong (CN);
Qing Zhou, Guangdong (CN); **Jianghai**
Li, Guangdong (CN)

(73) Assignees: **UNILUMIN GROUP CO., LTD.**,
Shenzhen (CN); **GUANGDONG**
UNILUMIN ENERGY SAVING
TECHNOLOGY CO., LTD, Huizhou
(CN)

(**) Term: **15 Years**

(21) Appl. No.: **29/614,876**

(22) Filed: **Aug. 24, 2017**

(30) **Foreign Application Priority Data**

Apr. 11, 2017 (CN) 2017 3 0118175

(51) **LOC (11) Cl.** **26-05**

(52) **U.S. Cl.**
USPC **D26/71; D26/92**

(58) **Field of Classification Search**
USPC D13/134-136; D26/51, 60-71, 76, 77,
D26/78, 80, 85, 86, 87, 92; D29/103
CPC .. F21S 8/036; F21S 8/038; F21S 8/043; F21S
8/081; F21S 8/083; F21S 8/085; F21S
8/086; F21S 8/088; F21S 9/03; F21S
9/035; F21S 9/037; F21S 10/063; F21S
13/10

See application file for complete search history.

(56) **References Cited**

U.S. PATENT DOCUMENTS

| | | | | | | |
|--------------|----|---|---------|-------------|-------|------------|
| D607,593 | S | * | 1/2010 | Yoo | | D26/71 |
| D637,336 | S | * | 5/2011 | Van Klinken | | D26/71 |
| D676,589 | S | * | 2/2013 | Elam | | D26/71 |
| D684,296 | S | * | 6/2013 | Henderson | | D26/118 |
| D689,233 | S | * | 9/2013 | Boissevain | | D26/71 |
| D742,574 | S | * | 11/2015 | Bembridge | | D26/71 |
| D760,935 | S | * | 7/2016 | Jurdana | | D26/71 |
| D760,937 | S | * | 7/2016 | Jurdana | | D26/71 |
| D764,091 | S | * | 8/2016 | Snell | | D26/71 |
| D766,485 | S | * | 9/2016 | Ladewig | | D26/71 |
| D767,196 | S | * | 9/2016 | Duckworth | | D26/92 |
| D780,360 | S | * | 2/2017 | Bobel | | D26/71 |
| 2017/0167676 | A1 | * | 6/2017 | Wang | | F21S 8/086 |

* cited by examiner

Primary Examiner — Kevin K Rudzinski

Assistant Examiner — Richard Kearney

(74) *Attorney, Agent, or Firm* — Ladas & Parry LLP

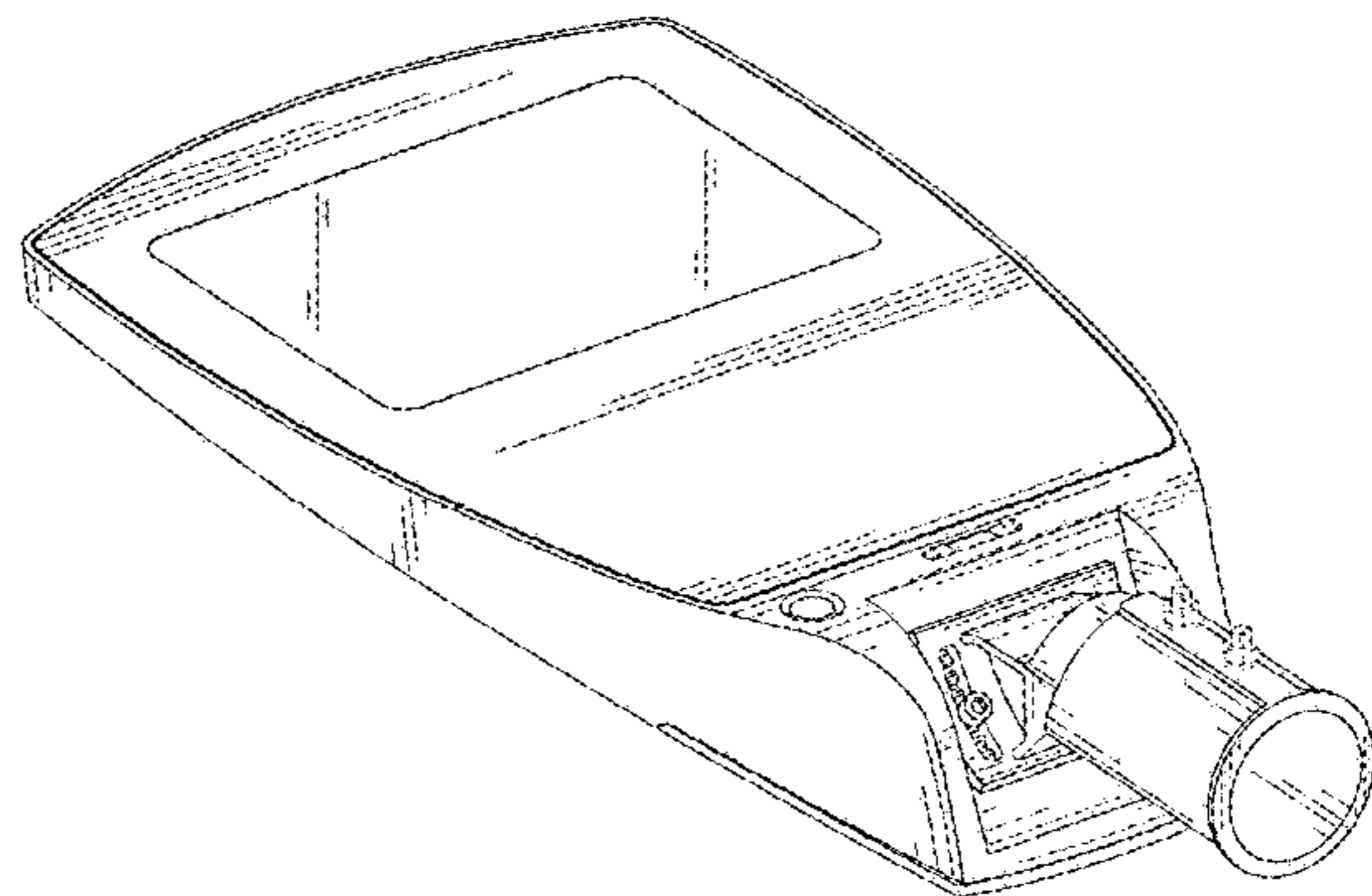
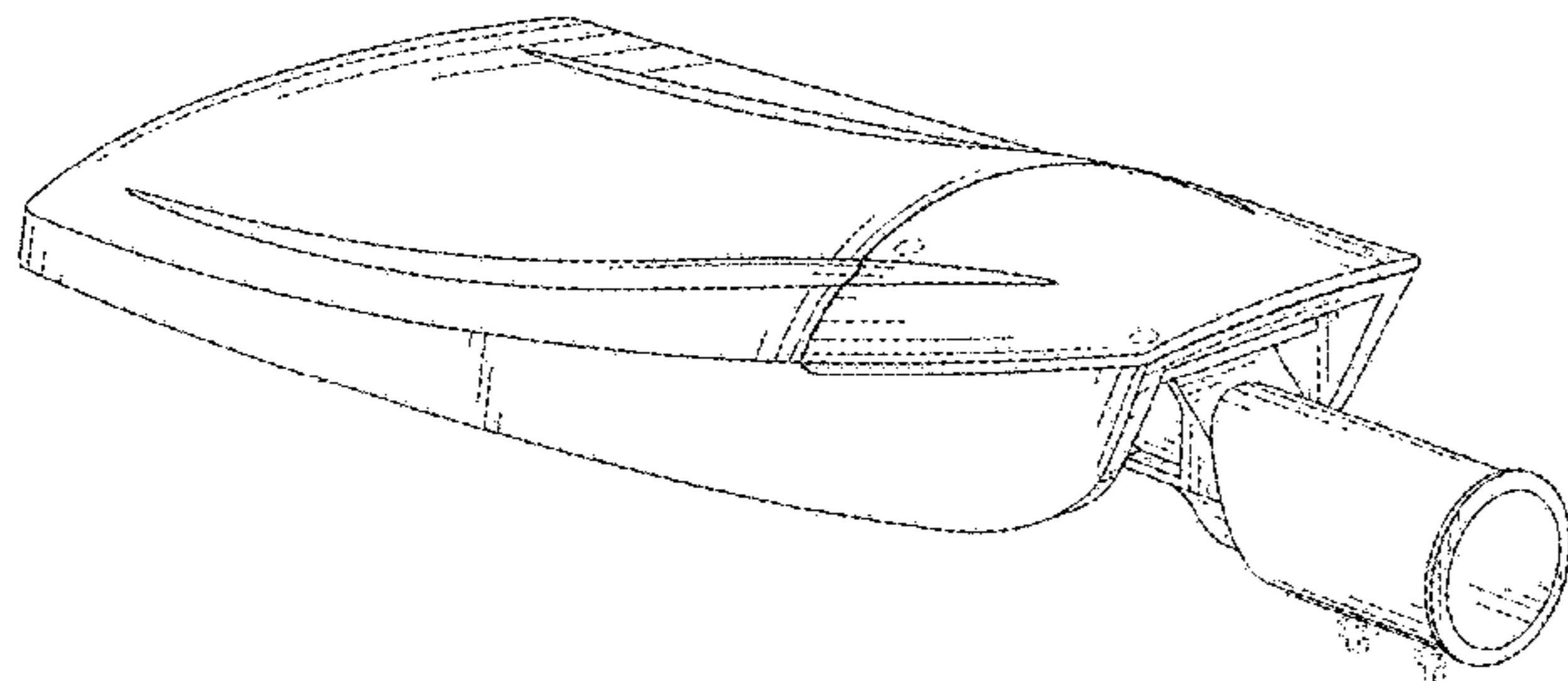
(57) **CLAIM**

The ornamental design for an LED street light, as shown and described.

DESCRIPTION

FIG. 1 is a perspective view of an LED street light showing our new design;
FIG. 2 is another perspective view thereof;
FIG. 3 is a front elevational view thereof;
FIG. 4 is a rear elevational view thereof;
FIG. 5 is a left side elevational view thereof;
FIG. 6 is a right side elevational view thereof;
FIG. 7 is a top plan view thereof; and,
FIG. 8 is a bottom plan view thereof.
The broken lines shown in the drawings illustrate portions of the LED street light that form no part of the claimed design.

1 Claim, 8 Drawing Sheets



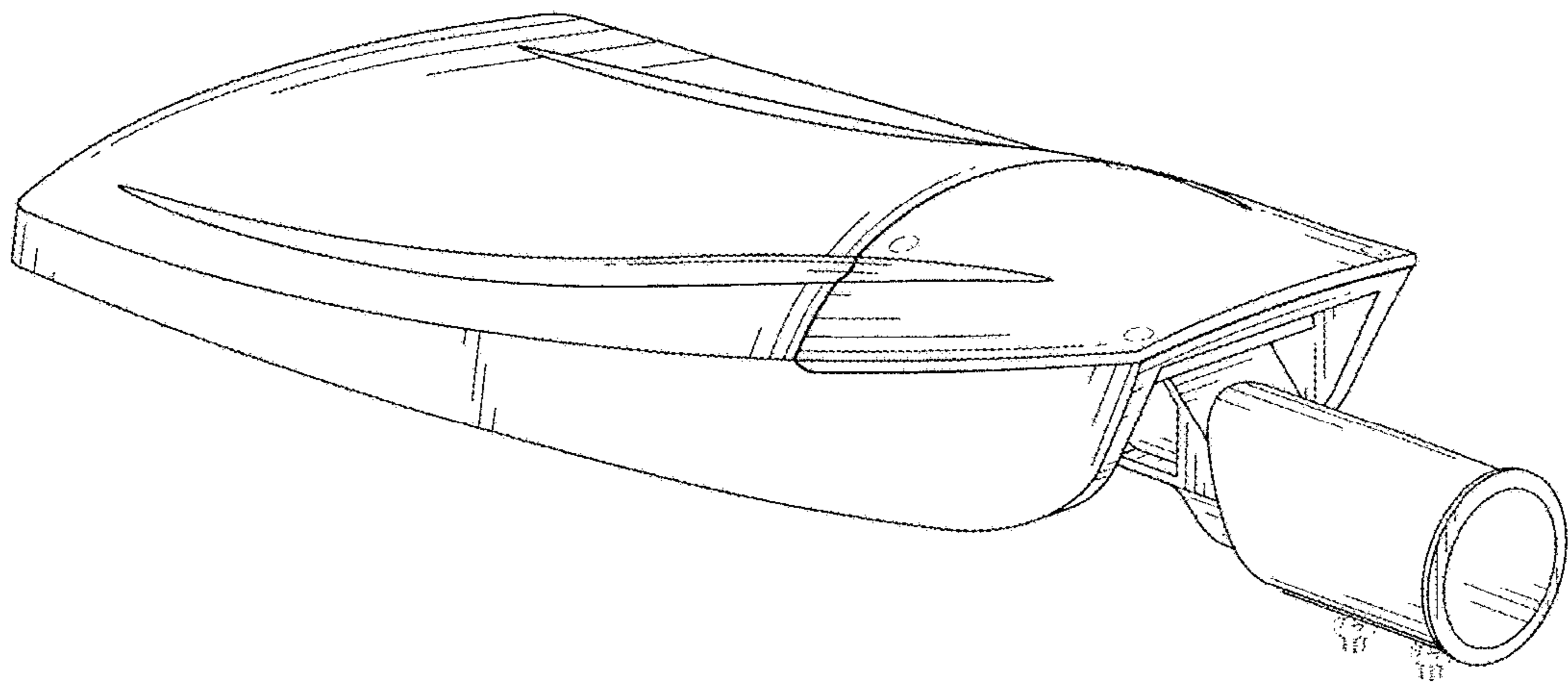


FIG. 1

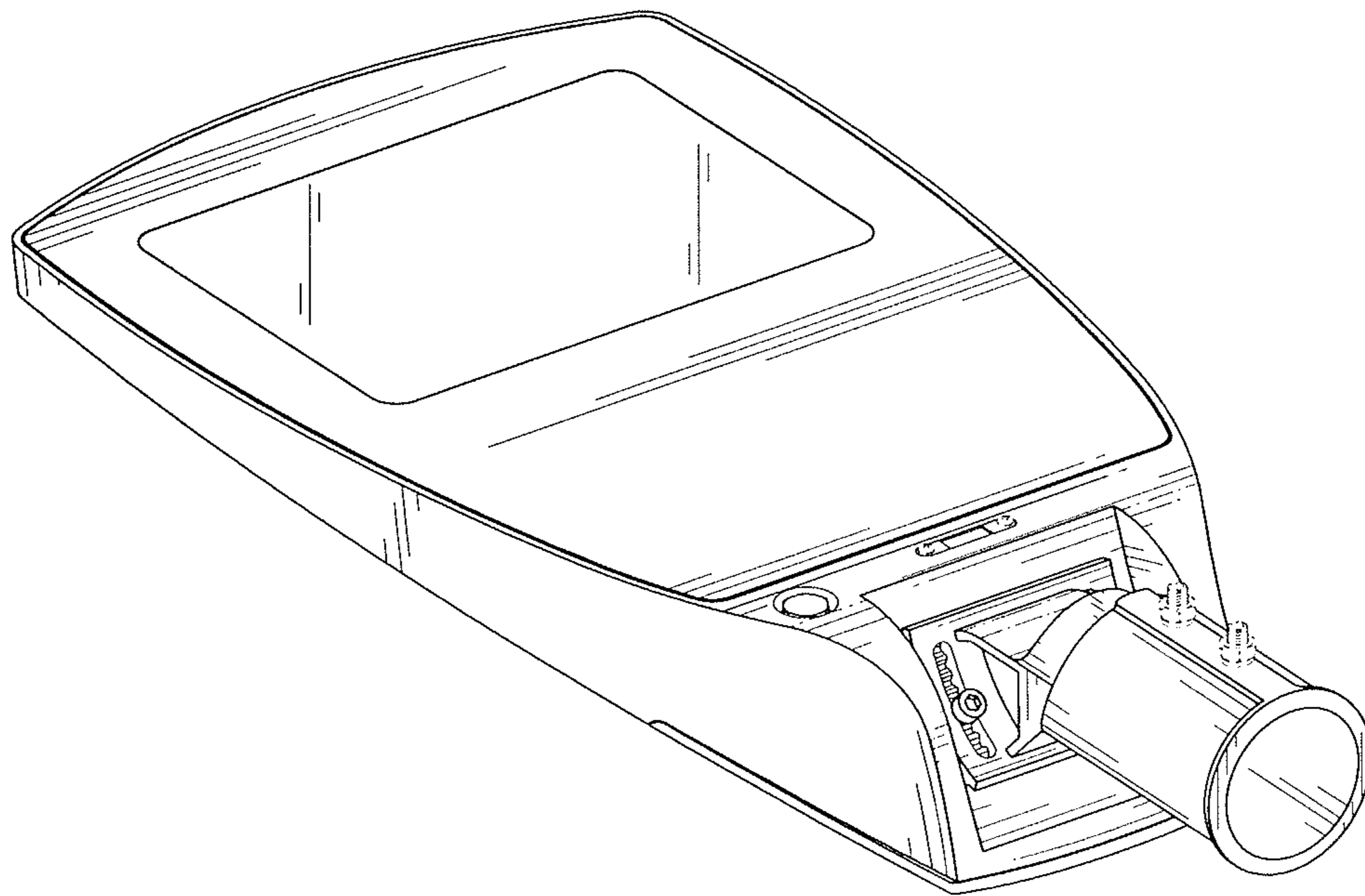


FIG. 2

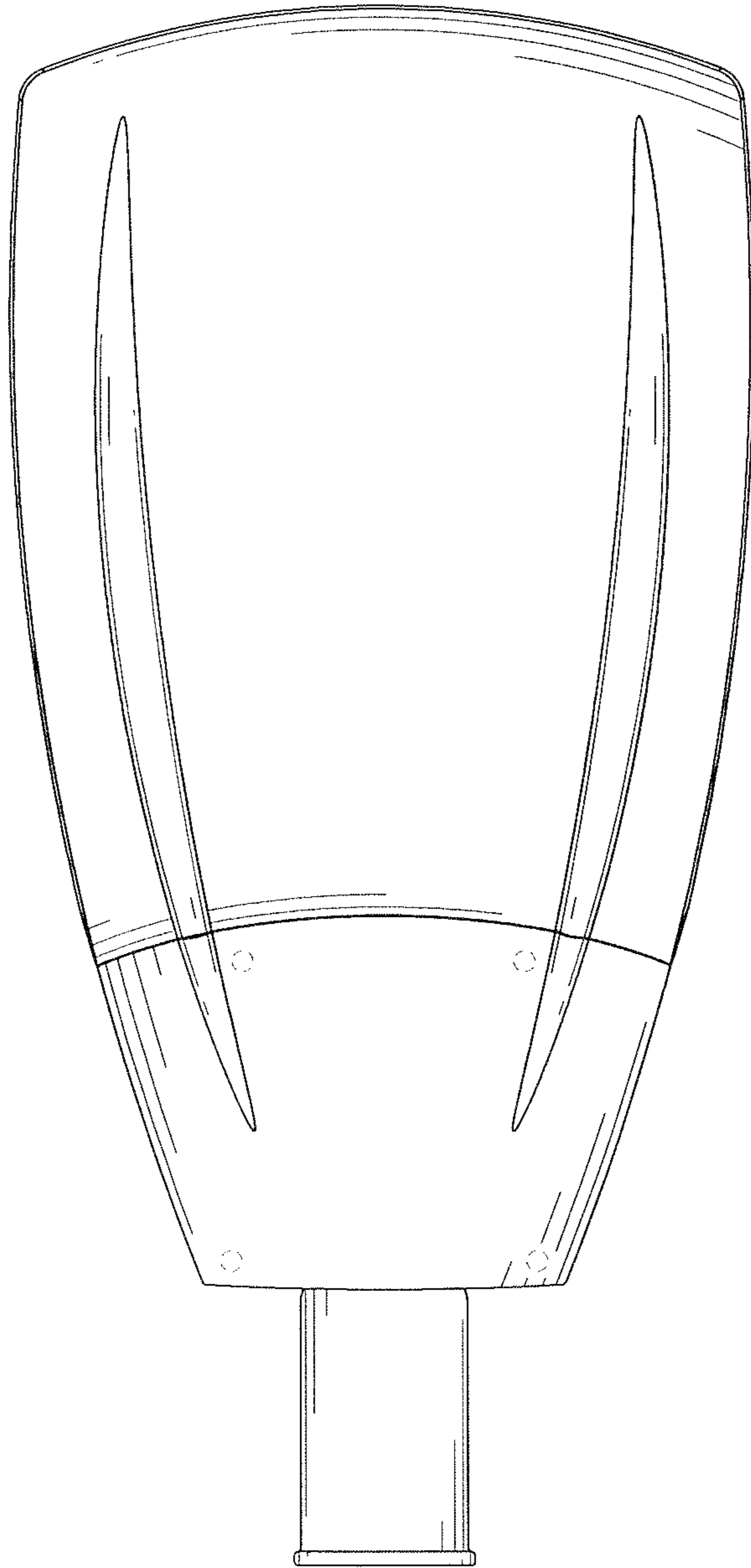


FIG. 3

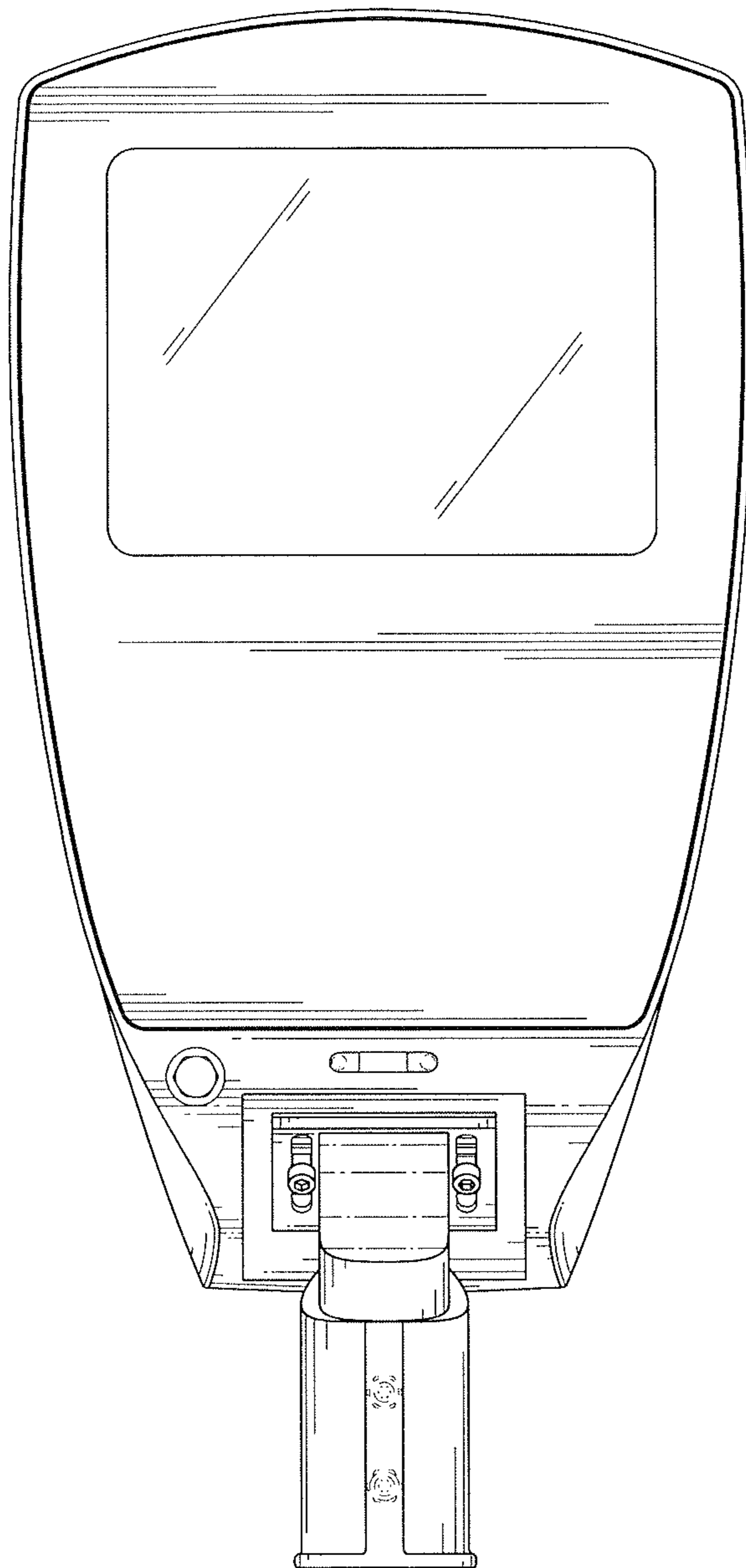


FIG. 4

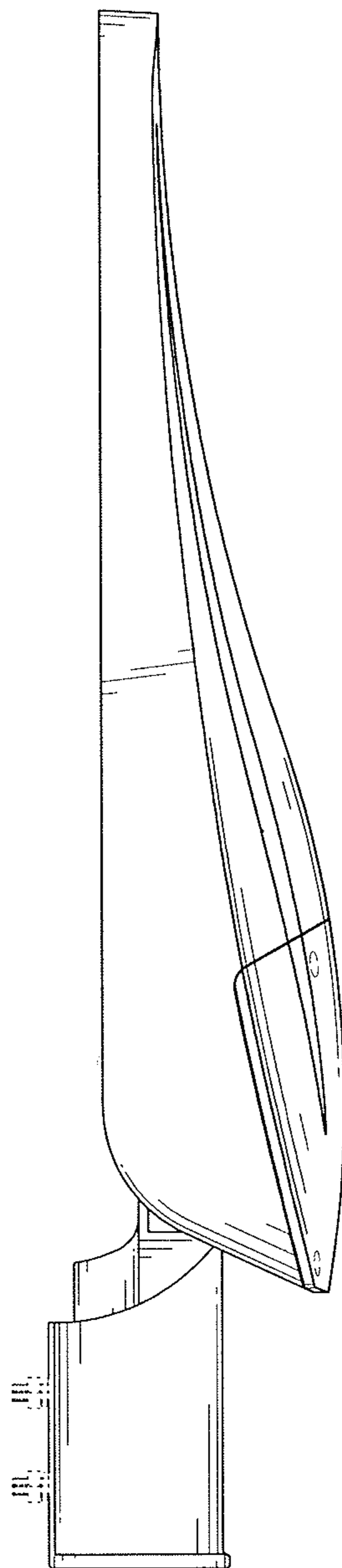


FIG. 5

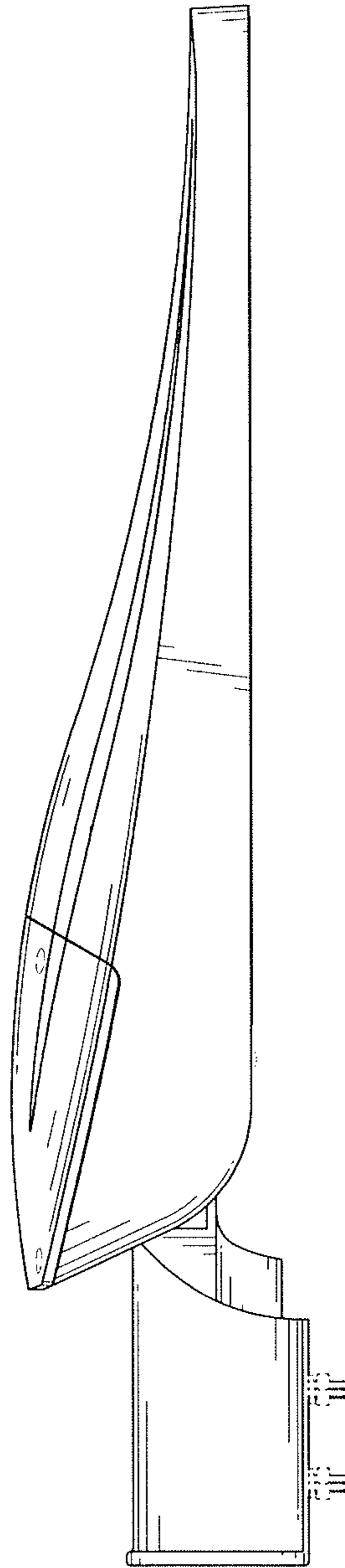


FIG. 6

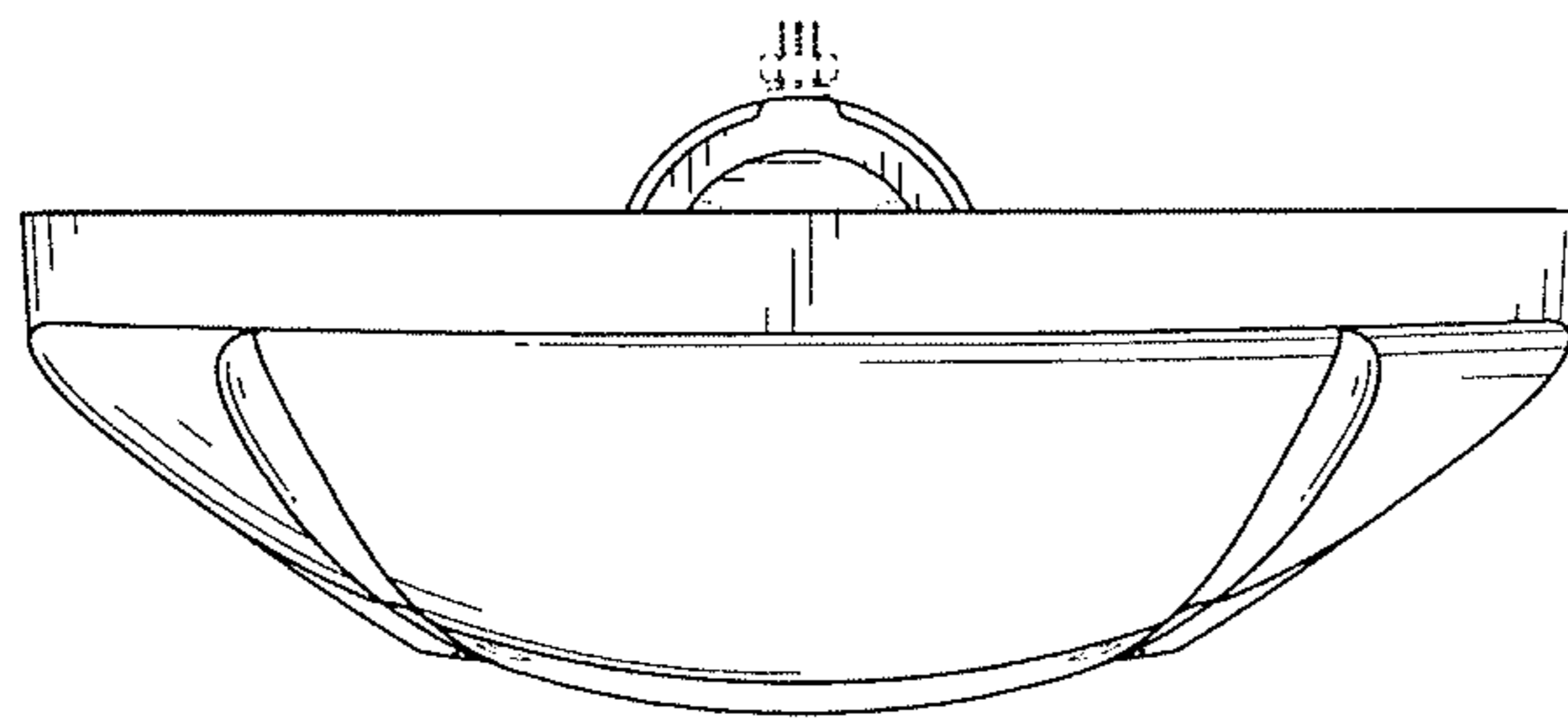


FIG. 7

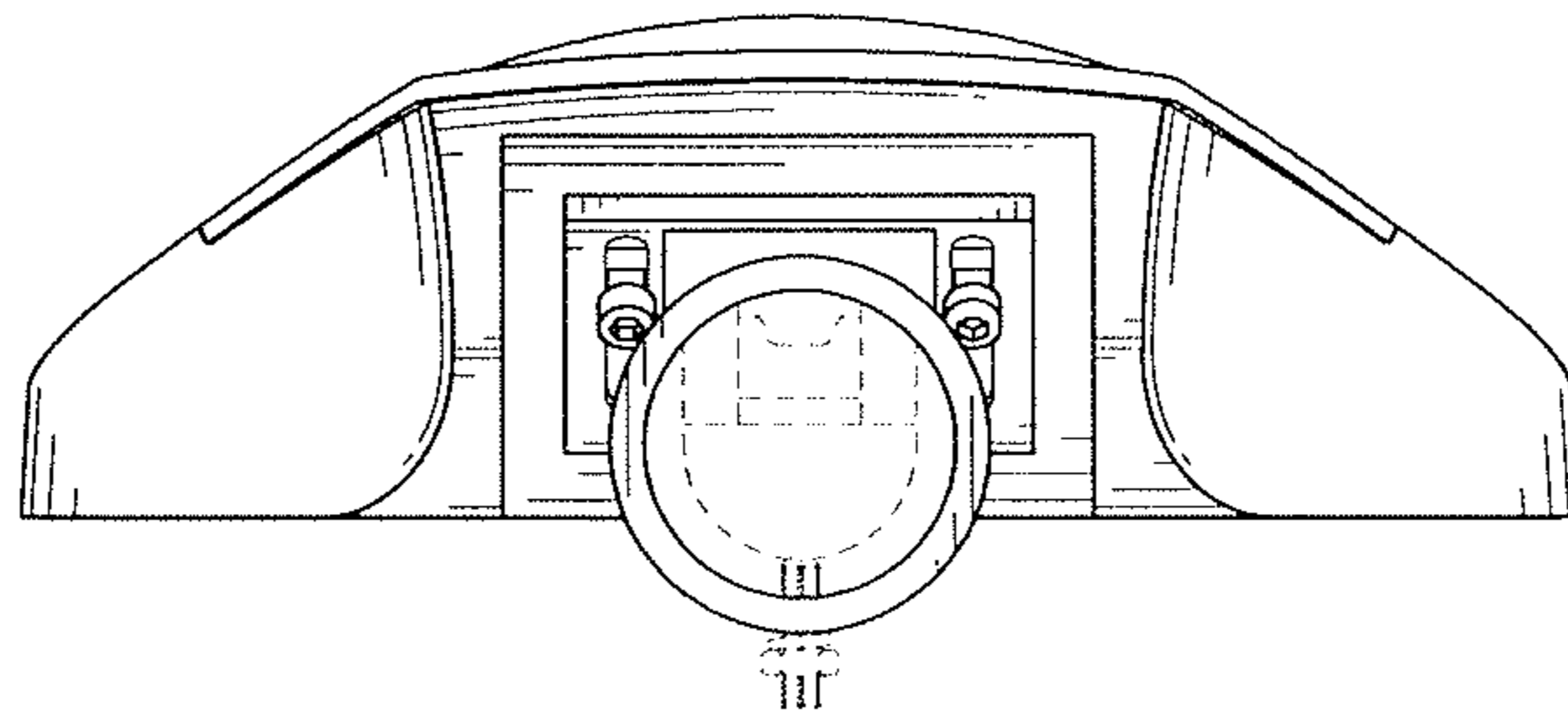


FIG. 8