



US00D821015S

(12) **United States Design Patent**
Peng

(10) **Patent No.:** **US D821,015 S**
(45) **Date of Patent:** **** Jun. 19, 2018**

(54) **SOLAR LANDSCAPE LIGHT**
(71) Applicant: **Liming Peng**, Qingdao (CN)
(72) Inventor: **Liming Peng**, Qingdao (CN)
(73) Assignee: **Liming Peng**, Qingdao (CN)
(**) Term: **15 Years**

(21) Appl. No.: **29/619,721**
(22) Filed: **Sep. 30, 2017**
(51) **LOC (11) Cl.** **26-05**
(52) **U.S. Cl.**
USPC **D26/68**
(58) **Field of Classification Search**
USPC D26/67, 68, 85, 119, 129, 131, 132
CPC F21S 8/032; F21S 8/081; F21S 9/03; F21S
9/037; F21W 2131/109; F21W 2111/02;
F21W 2111/023; F21W 2111/06; F21V
21/0824
See application file for complete search history.

(56) **References Cited**
U.S. PATENT DOCUMENTS
D199,144 S * 9/1964 Daum D26/67
3,721,516 A * 3/1973 Reese F21V 21/0824
239/276
D533,676 S * 12/2006 Hon D26/67
D539,957 S * 4/2007 Luo D26/128

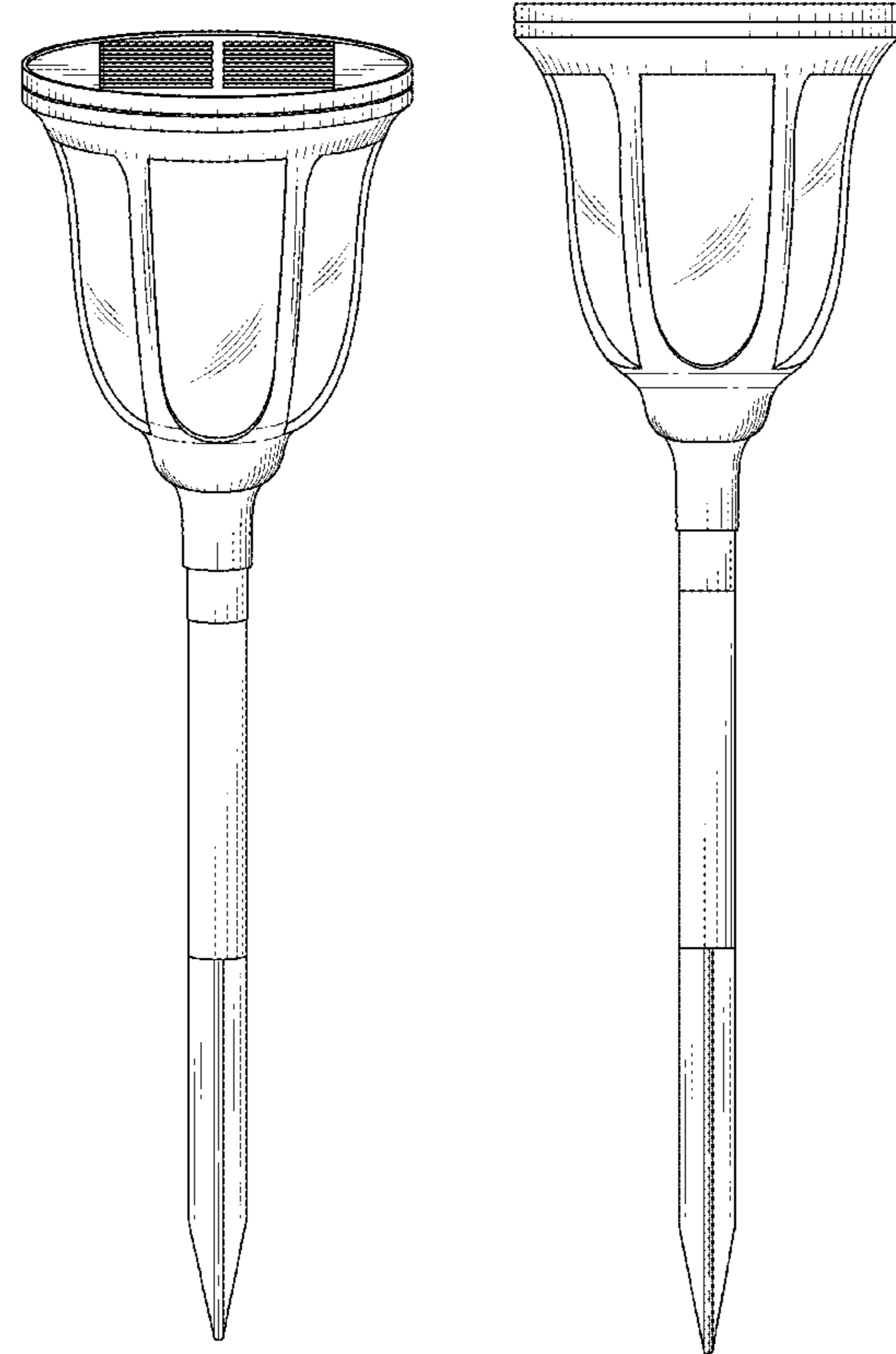
D606,695 S * 12/2009 Chen D26/67
D610,285 S * 2/2010 Sanoner D26/68
8,201,971 B2 * 6/2012 Chen F21S 8/081
362/249.02
D663,461 S * 7/2012 Schefers D26/68
D670,017 S * 10/2012 Tortel D26/135
D678,576 S * 3/2013 Chen D26/67
D694,931 S * 12/2013 Meyer D26/67
D777,363 S * 1/2017 Galipeau D26/68

* cited by examiner
Primary Examiner — Clare E Heflin
(74) *Attorney, Agent, or Firm* — Gokalp Bayramoglu

(57) **CLAIM**
The ornamental design for a solar landscape light, as shown and described.

DESCRIPTION
FIG. 1 is a perspective view of the solar landscape light showing the new design;
FIG. 2 is a front elevation view thereof;
FIG. 3 is a rear elevation view thereof;
FIG. 4 is a left side elevation view thereof;
FIG. 5 is a right side elevation view thereof;
FIG. 6 is a top plan view thereof
FIG. 7 is an enlarged top plan view thereof;
FIG. 8 is a bottom plan view thereof; and,
FIG. 9 is an enlarged bottom plan view thereof.

1 Claim, 7 Drawing Sheets



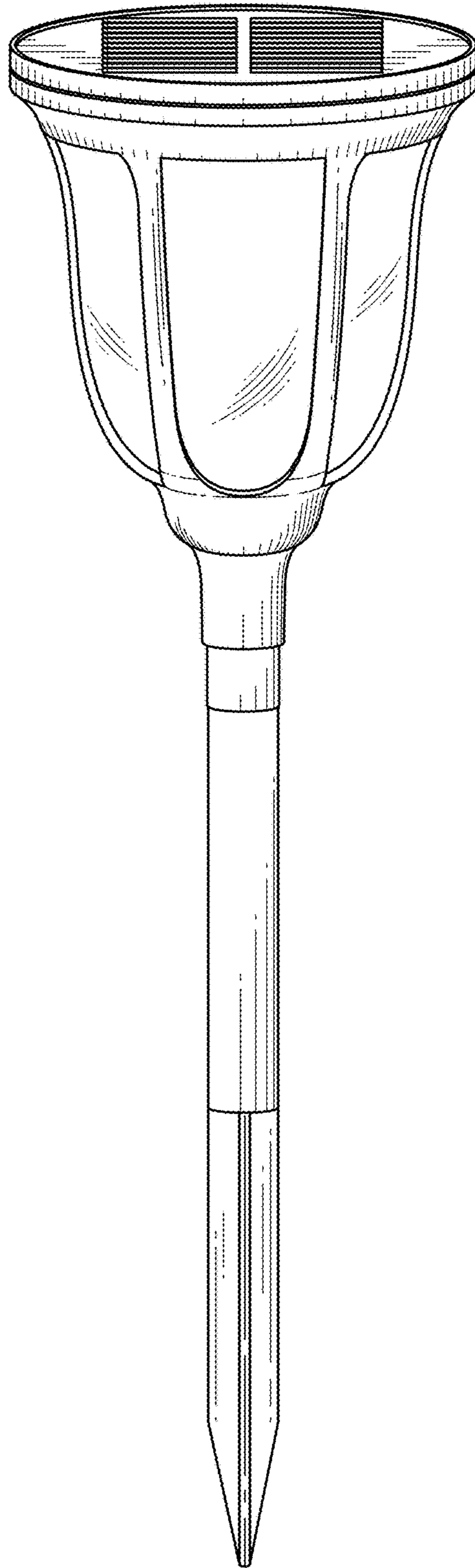


FIG. 1

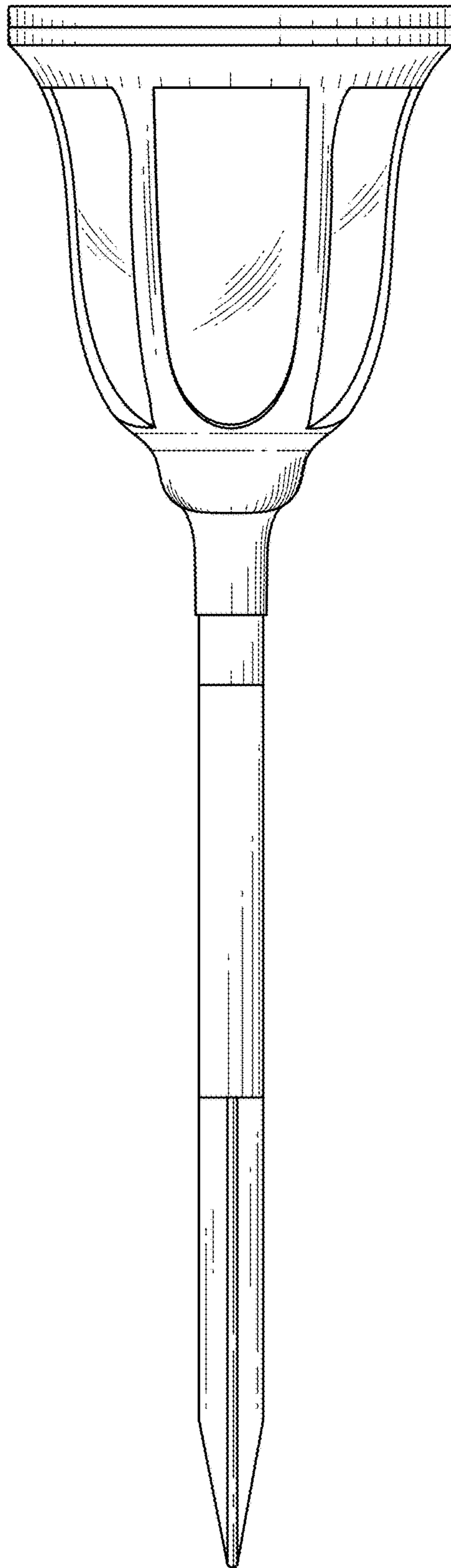


FIG. 2

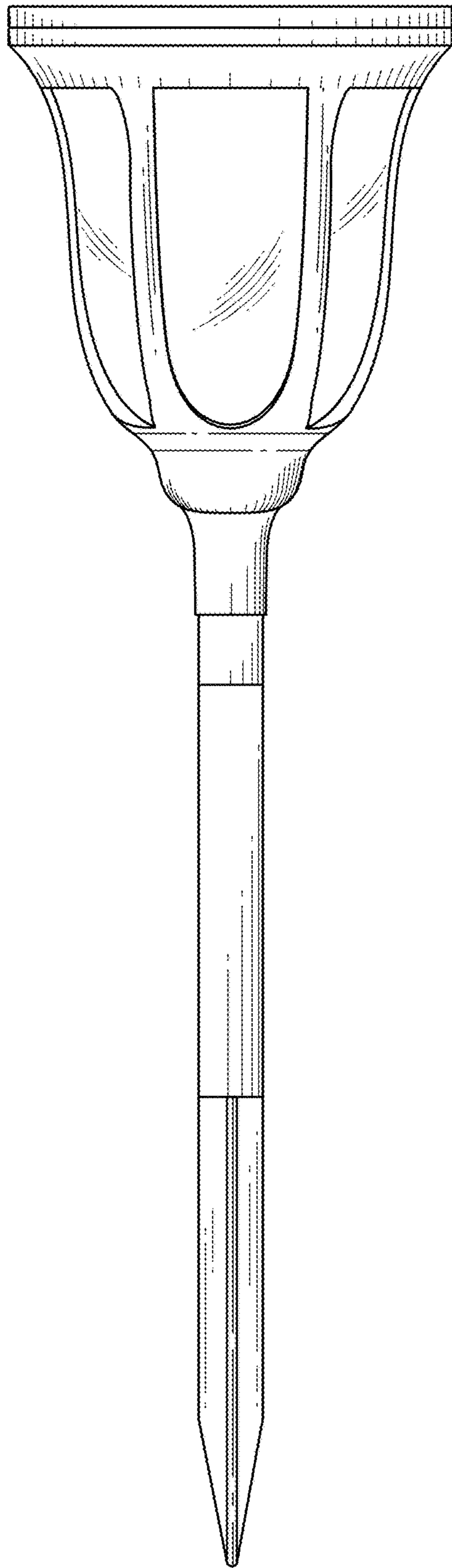


FIG. 3

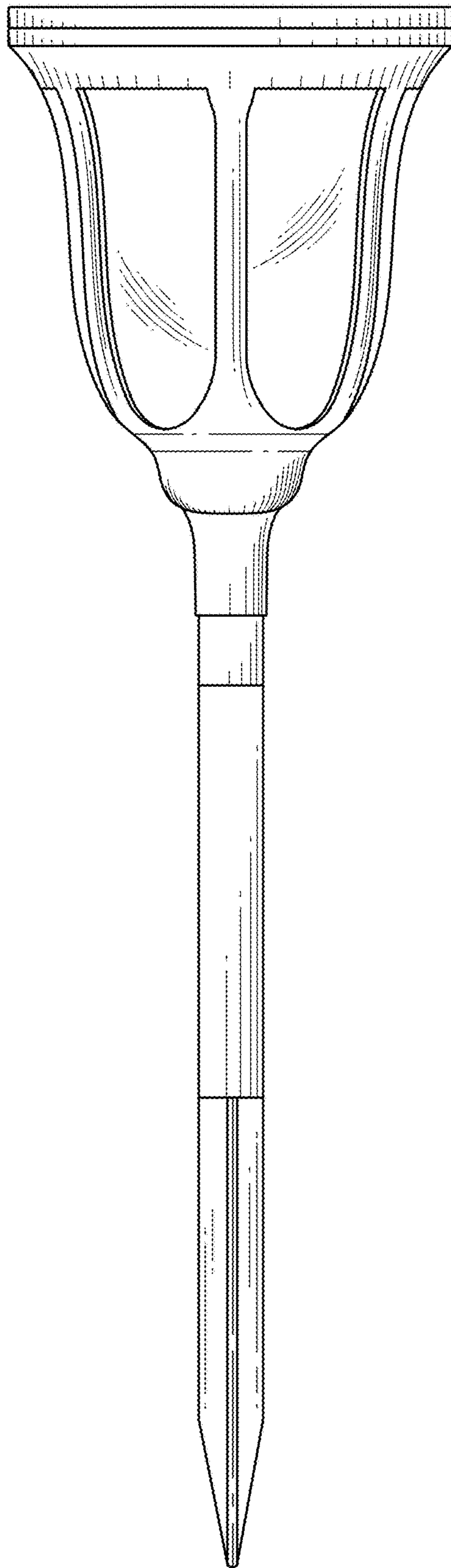


FIG. 4

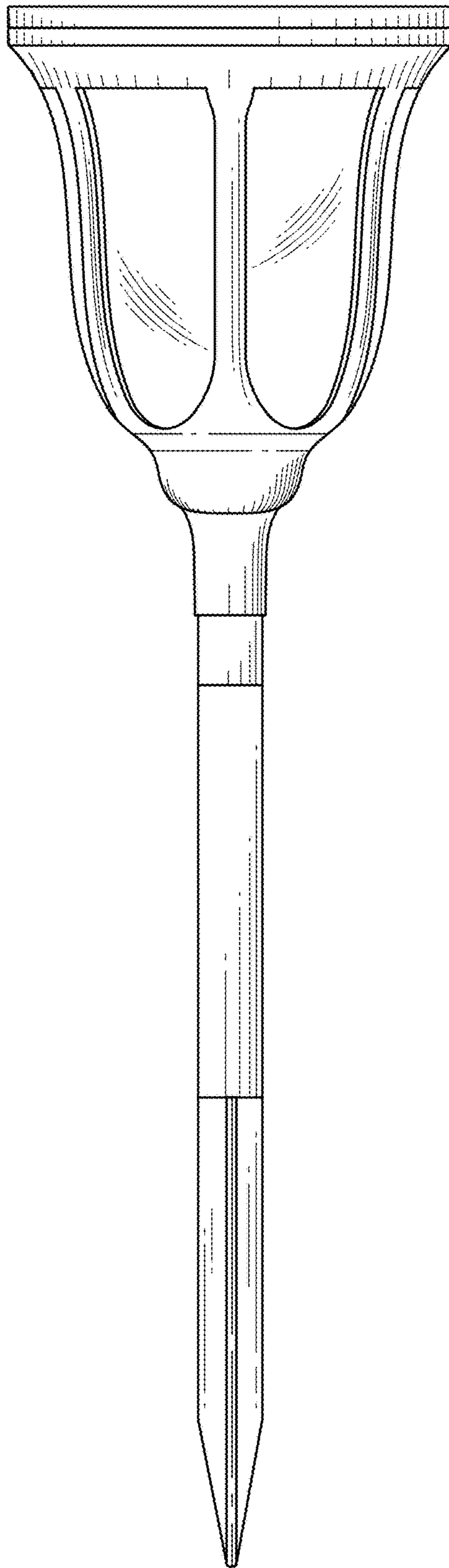


FIG. 5

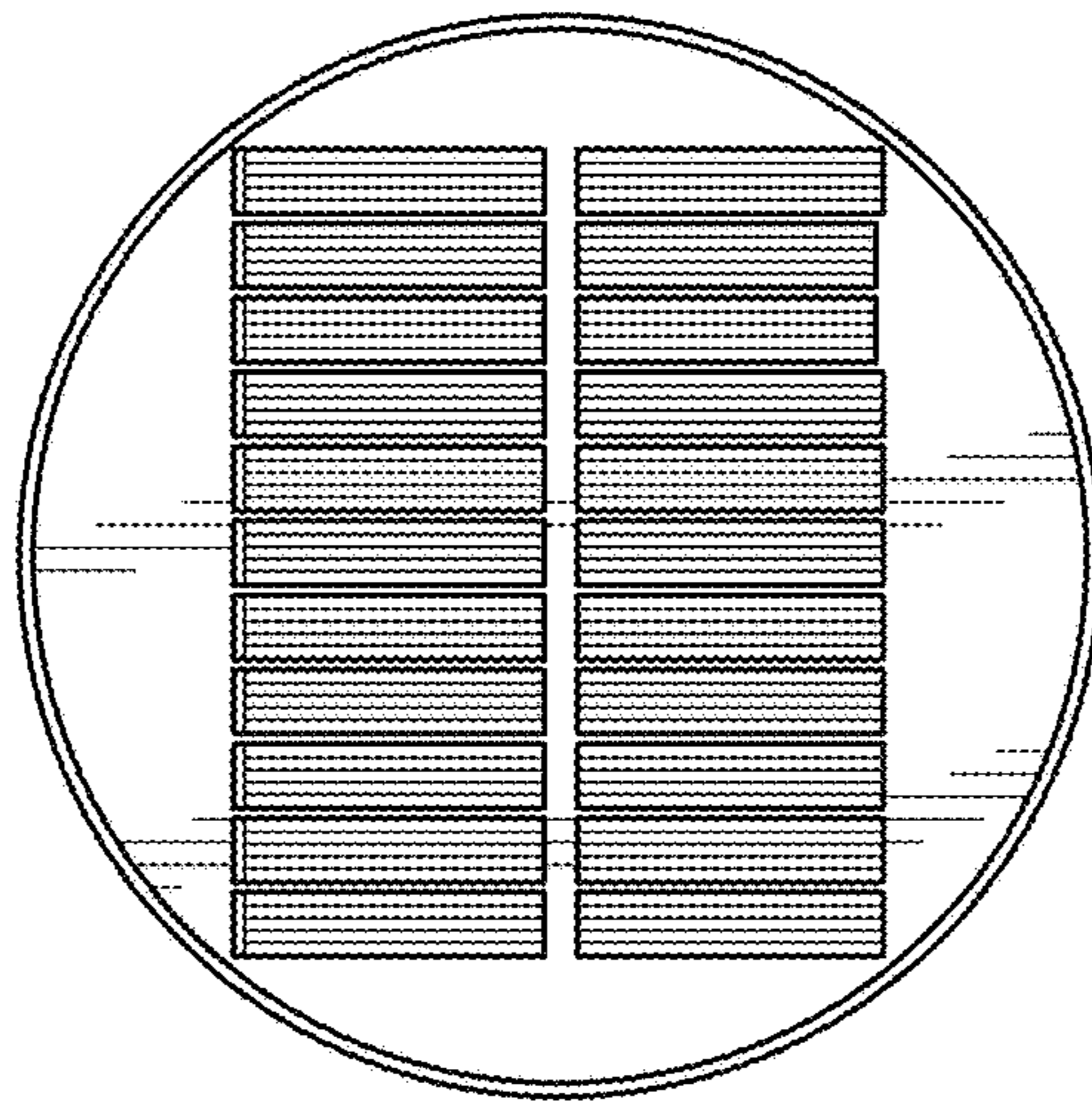


FIG. 6

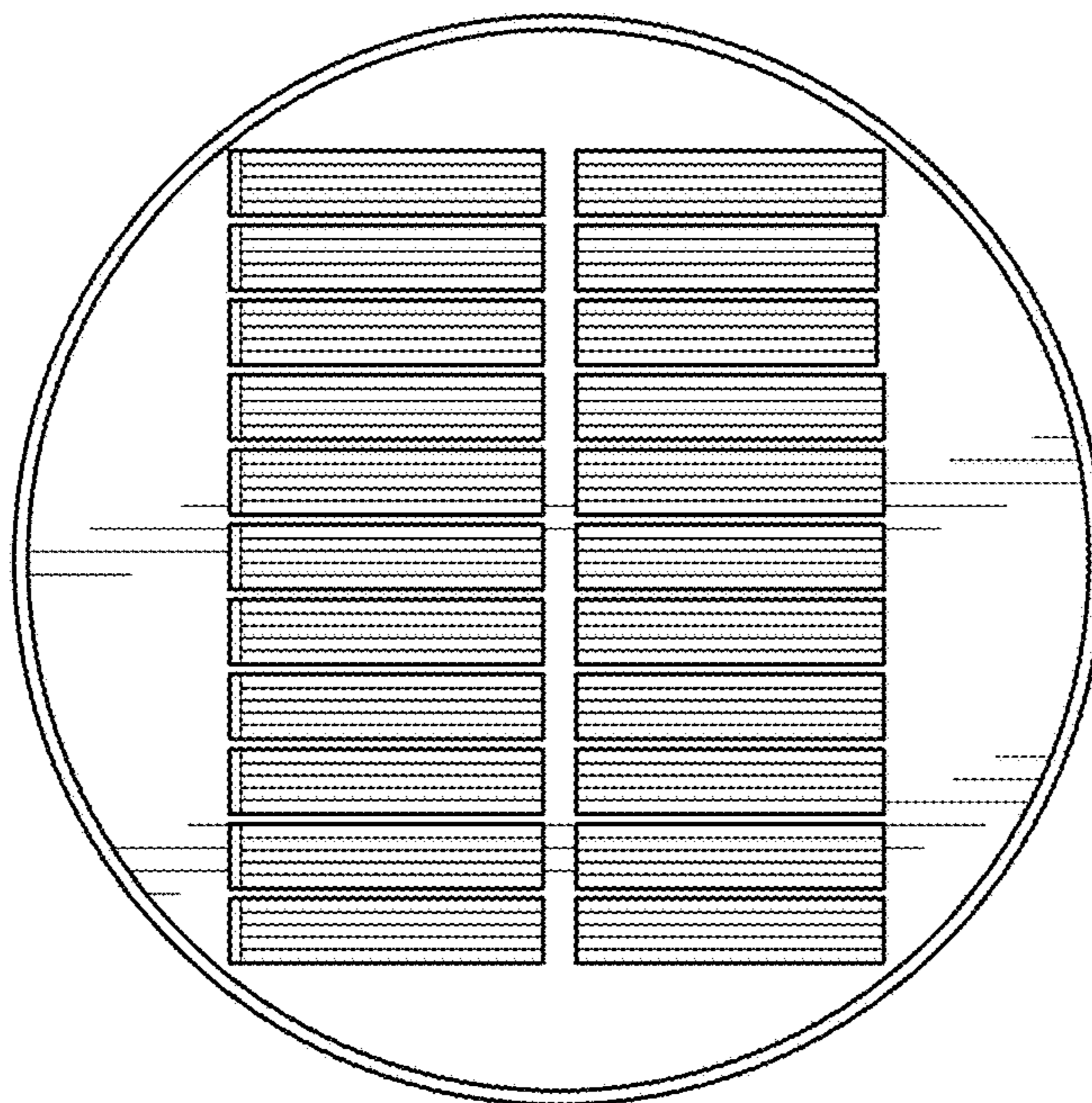


FIG. 7

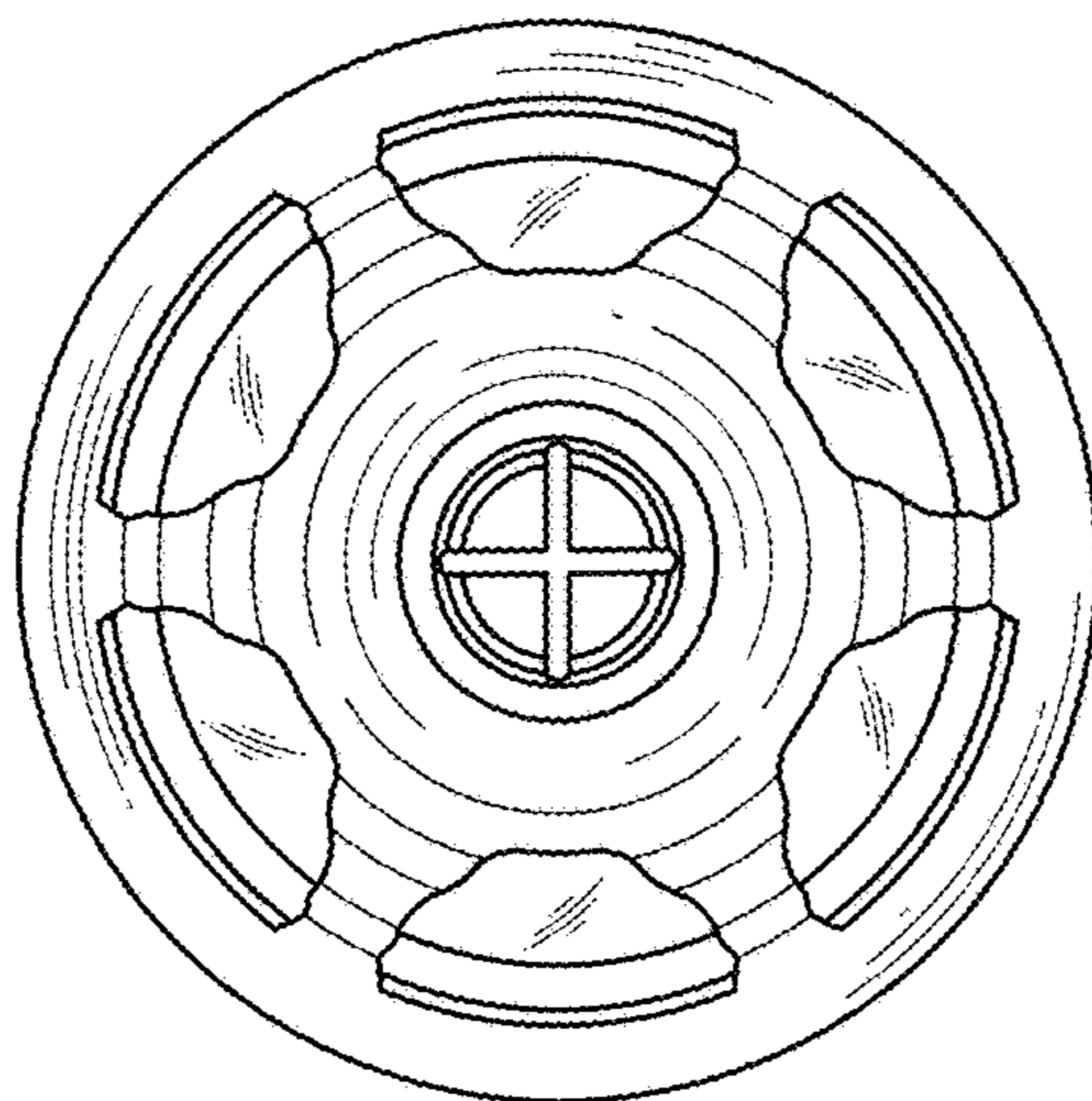


FIG. 8

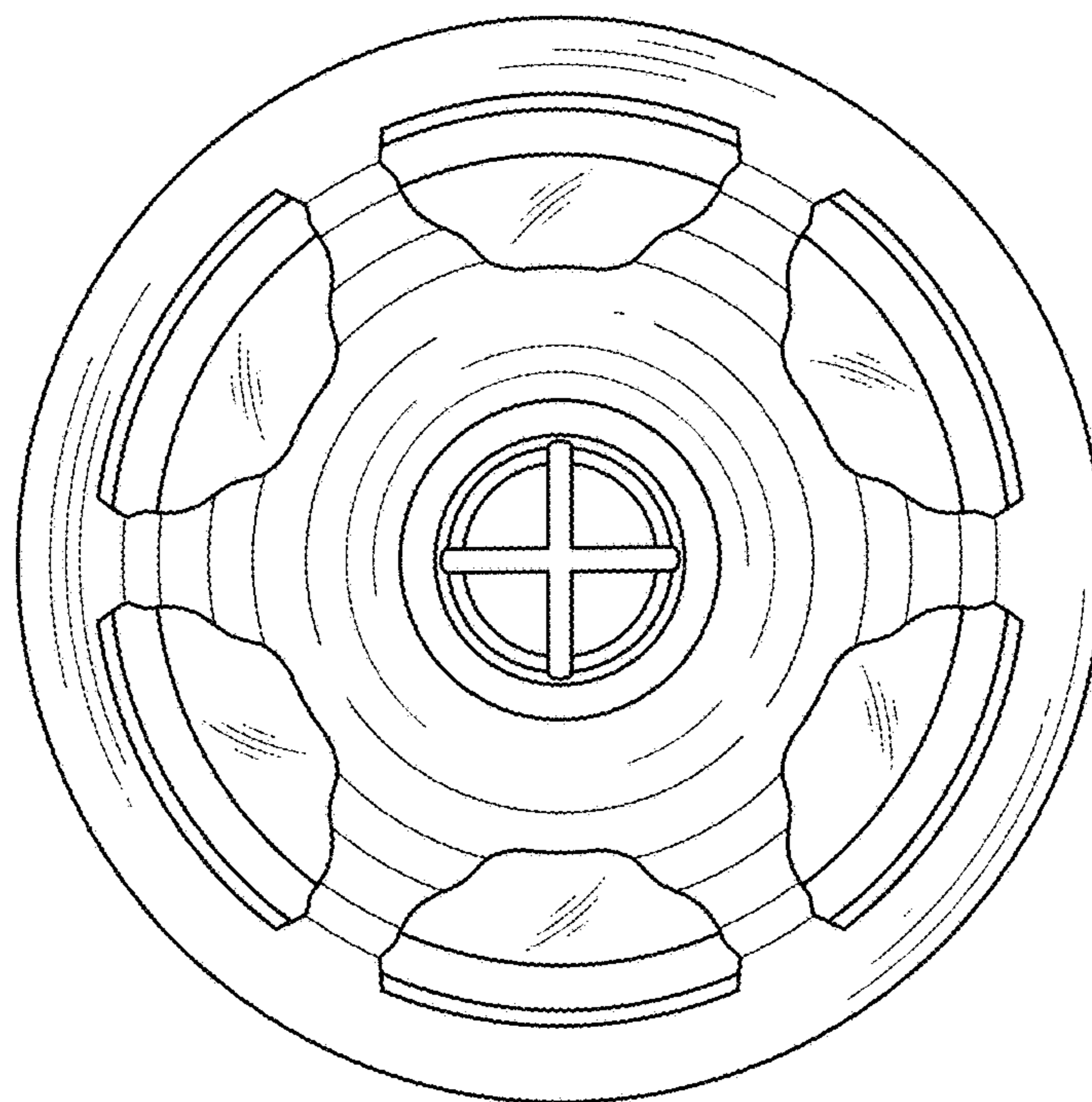


FIG. 9